



US00D468462S

(12) **United States Design Patent**  
**Horowitz**

(10) **Patent No.:** **US D468,462 S**

(45) **Date of Patent:** **\*\* Jan. 7, 2003**

(54) **TAIL LENS ASSEMBLY**

(76) Inventor: **Brian A. Horowitz**, 252 Granite St.,  
Corona, CA (US) 92879

(\*\*) Term: **14 Years**

(21) Appl. No.: **29/159,564**

(22) Filed: **Apr. 23, 2002**

**Related U.S. Application Data**

(63) Continuation of application No. 29/147,010, filed on Aug.  
21, 2001, now Pat. No. Des. 459,505.

(51) **LOC (7) Cl.** ..... **26-06**

(52) **U.S. Cl.** ..... **D26/28**

(58) **Field of Search** ..... D26/28-36; 362/61,  
362/80, 81, 82, 83, 83.4, 267, 269, 275

(56) **References Cited**

**U.S. PATENT DOCUMENTS**

D459,505 S \* 6/2002 Horowitz ..... D26/28  
D460,574 S \* 7/2002 Horowitz ..... D26/28

\* cited by examiner

*Primary Examiner*—Marcus A. Jackson

(74) *Attorney, Agent, or Firm*—Knobbe, Martens, Olson &  
Bear LLP

(57) **CLAIM**

The ornamental design for a tail lens assembly, as shown and  
described.

**DESCRIPTION**

FIG. 1 is a right side perspective view of the tail lens  
assembly of the present design;

FIG. 2 is a right side perspective view of the tail lens  
assembly of FIG. 1, showing the cover of the tail lens  
assembly removed;

FIG. 3 is a front elevational view of the tail lens assembly  
of FIG. 1;

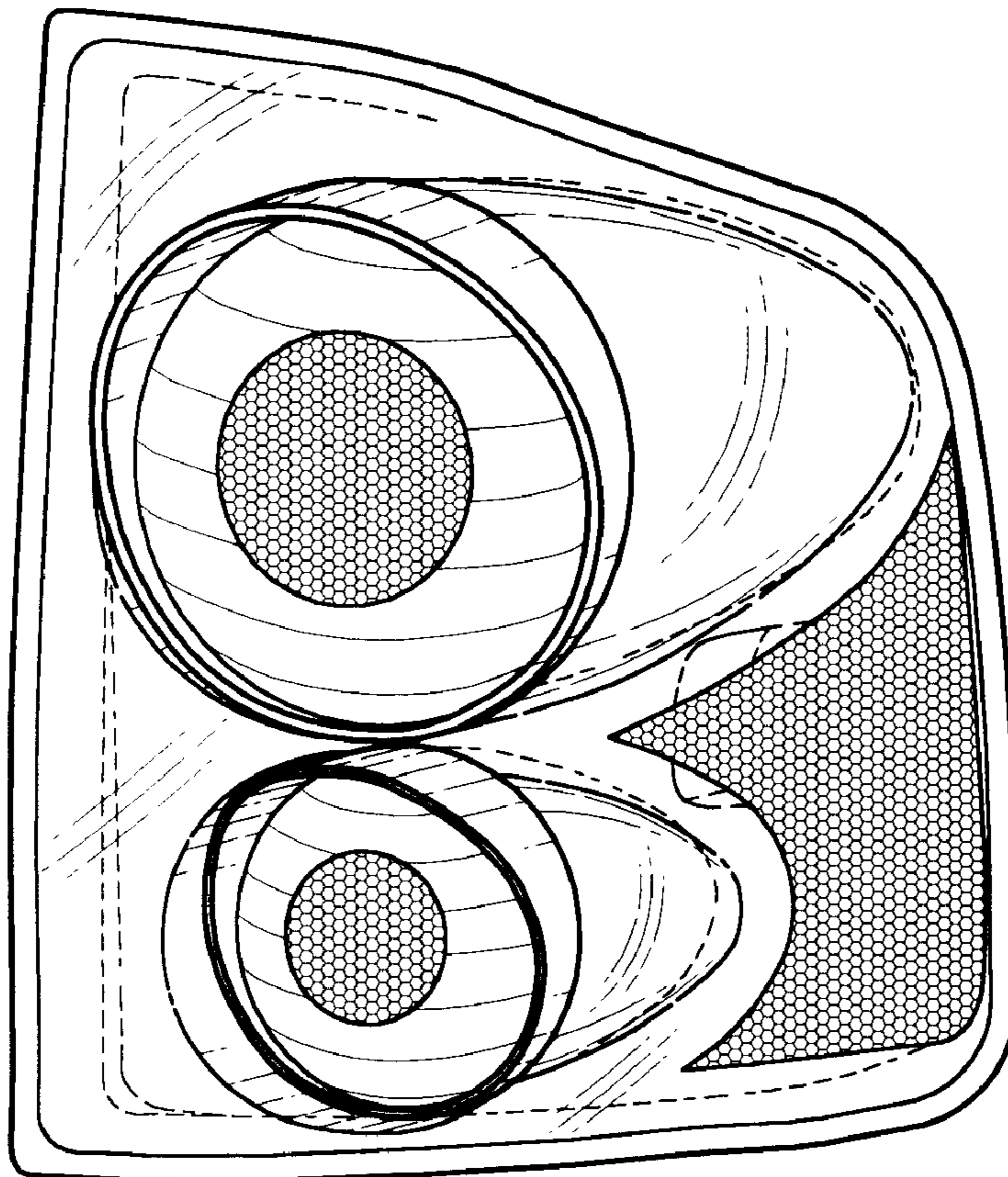
FIG. 4 is a right side elevational view of the tail lens  
assembly of FIG. 1;

FIG. 5 is a top plan view of the tail lens assembly of FIG.  
1; and,

FIG. 6 is a right perspective view of the tail lens assembly  
of FIG. 1, showing the lens assembly installed on a vehicle.

Phantom lining, where used, is for illustrative purposes only  
and is not intended to limit the claimed design to the features  
shown in phantom.

**1 Claim, 4 Drawing Sheets**



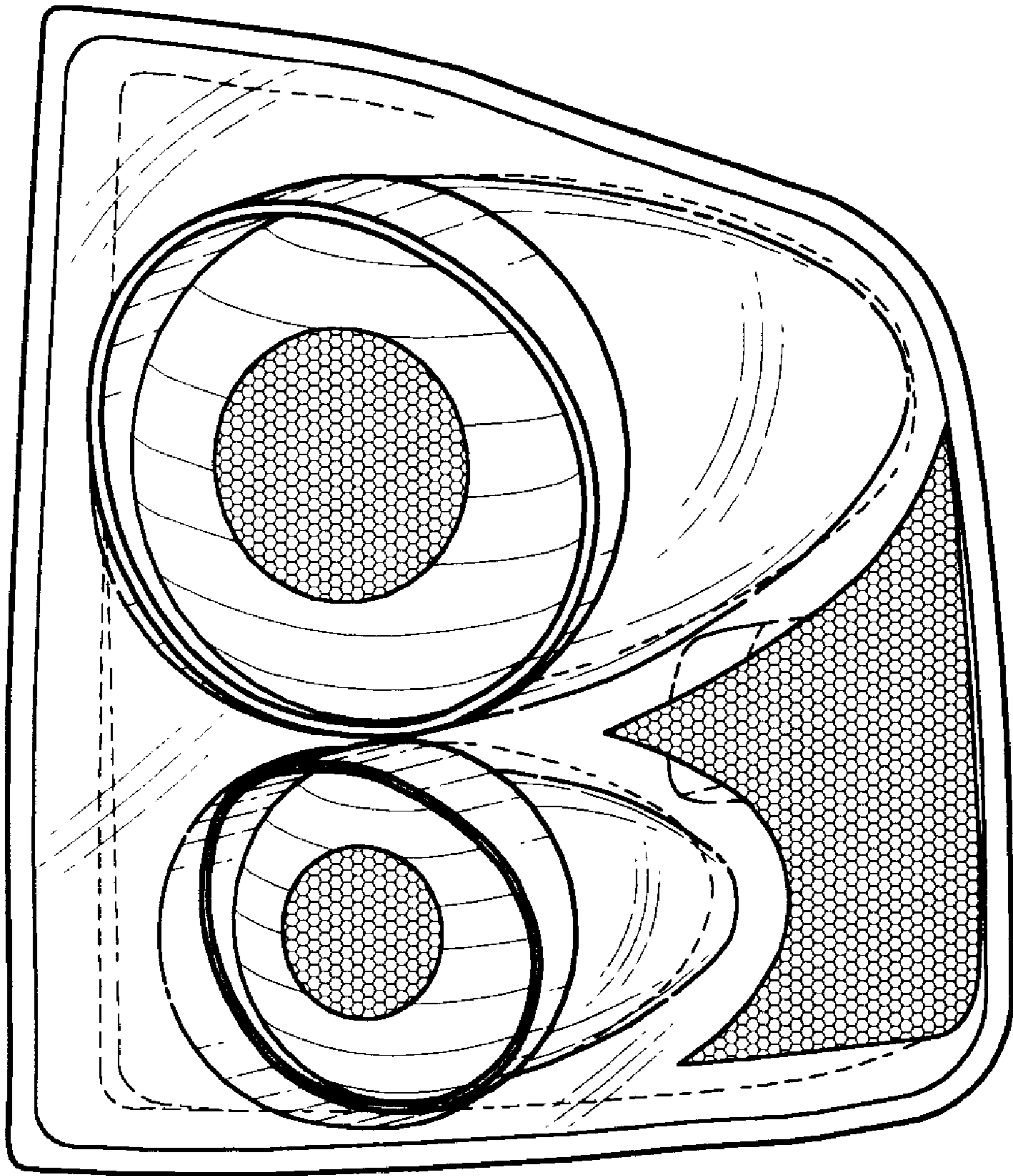


FIG. 1

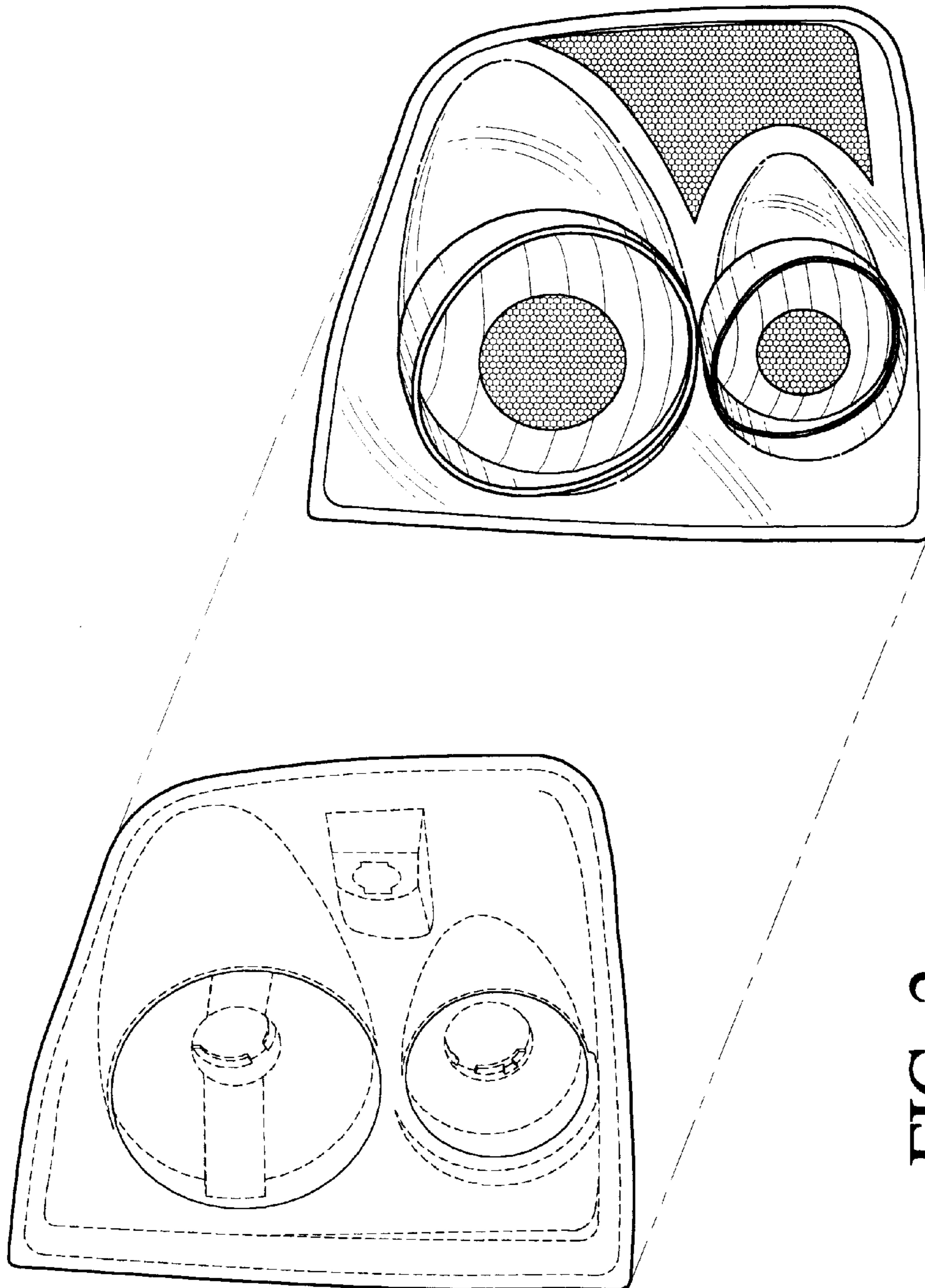


FIG. 2

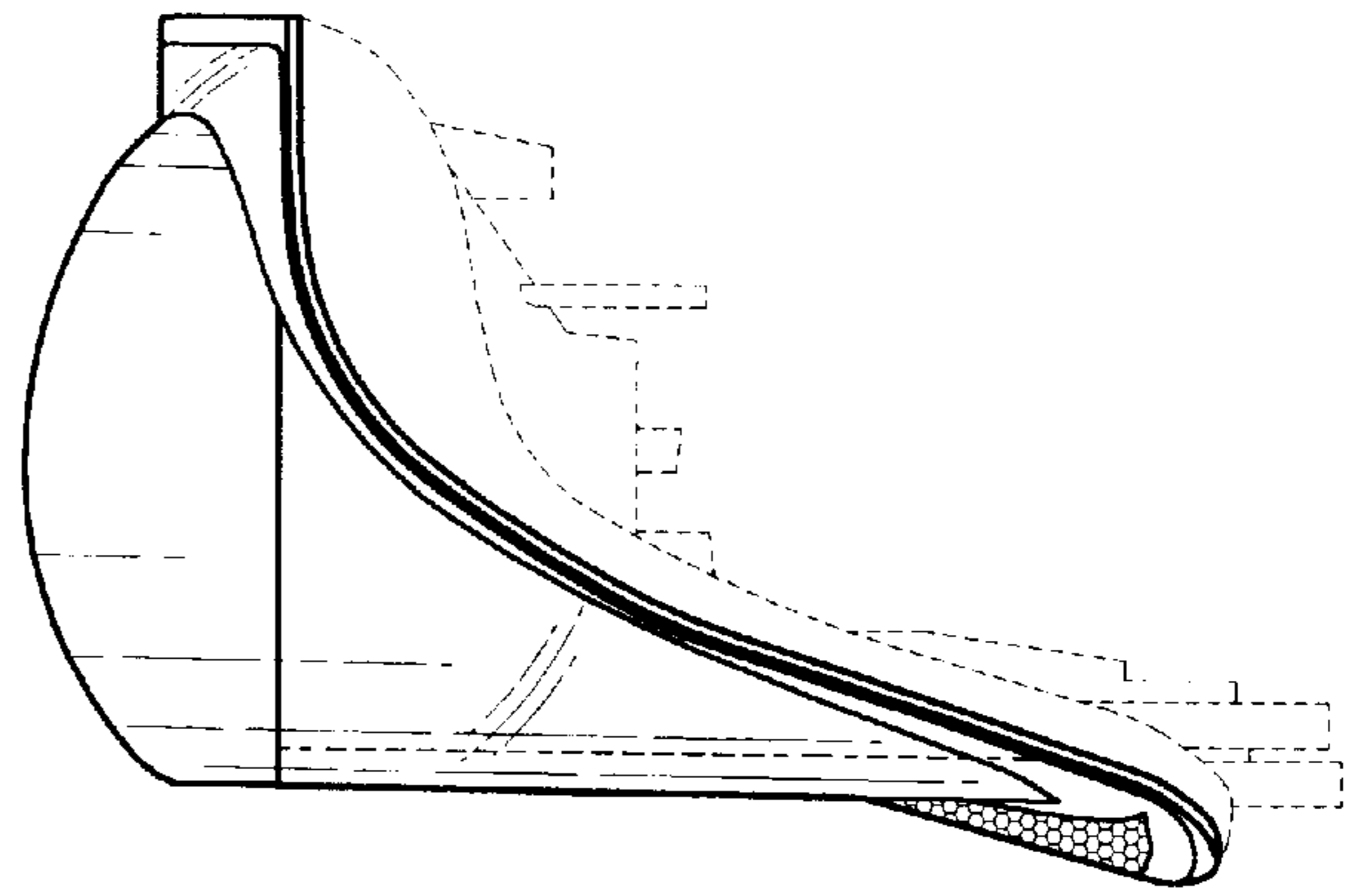


FIG. 5

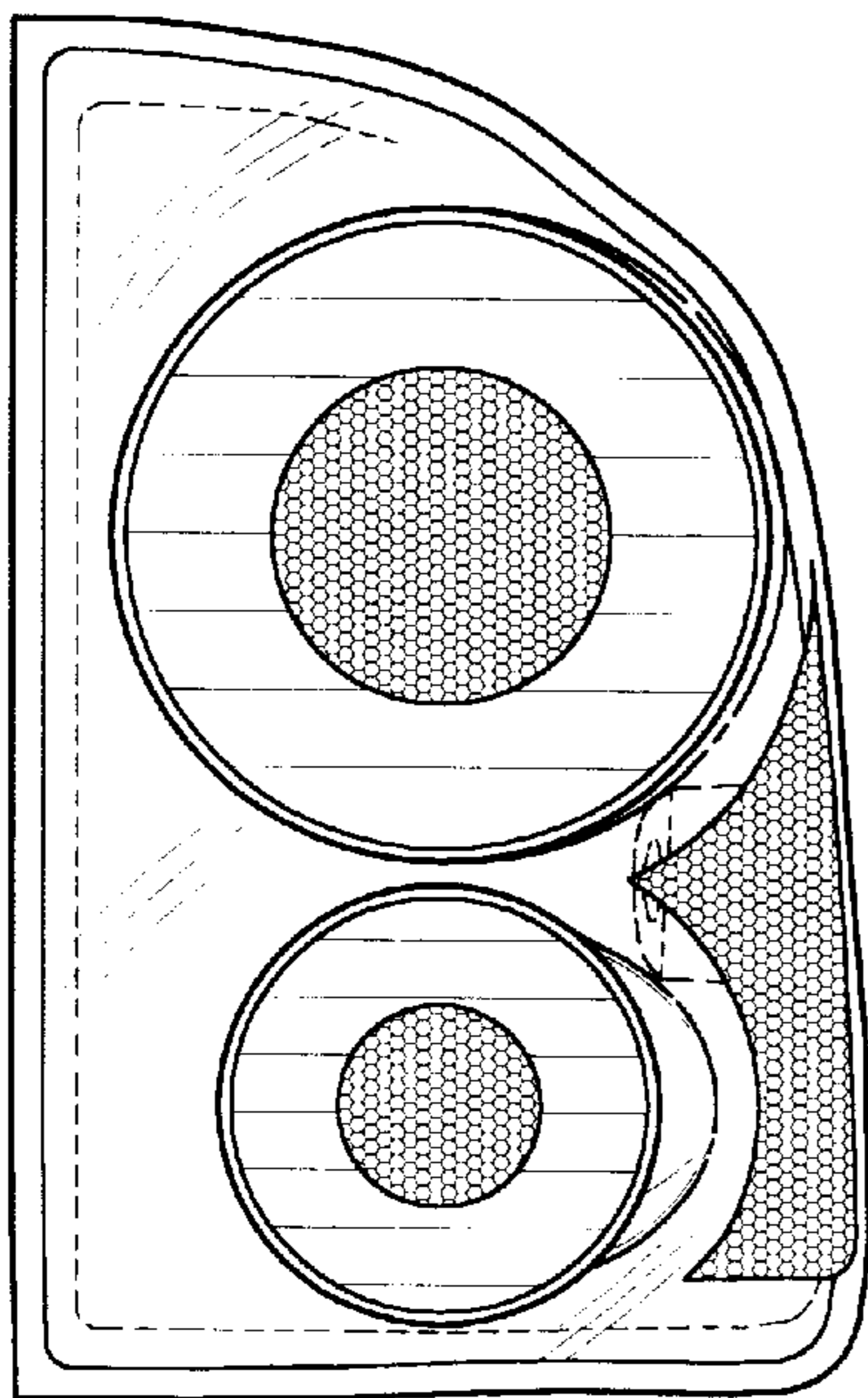


FIG. 3

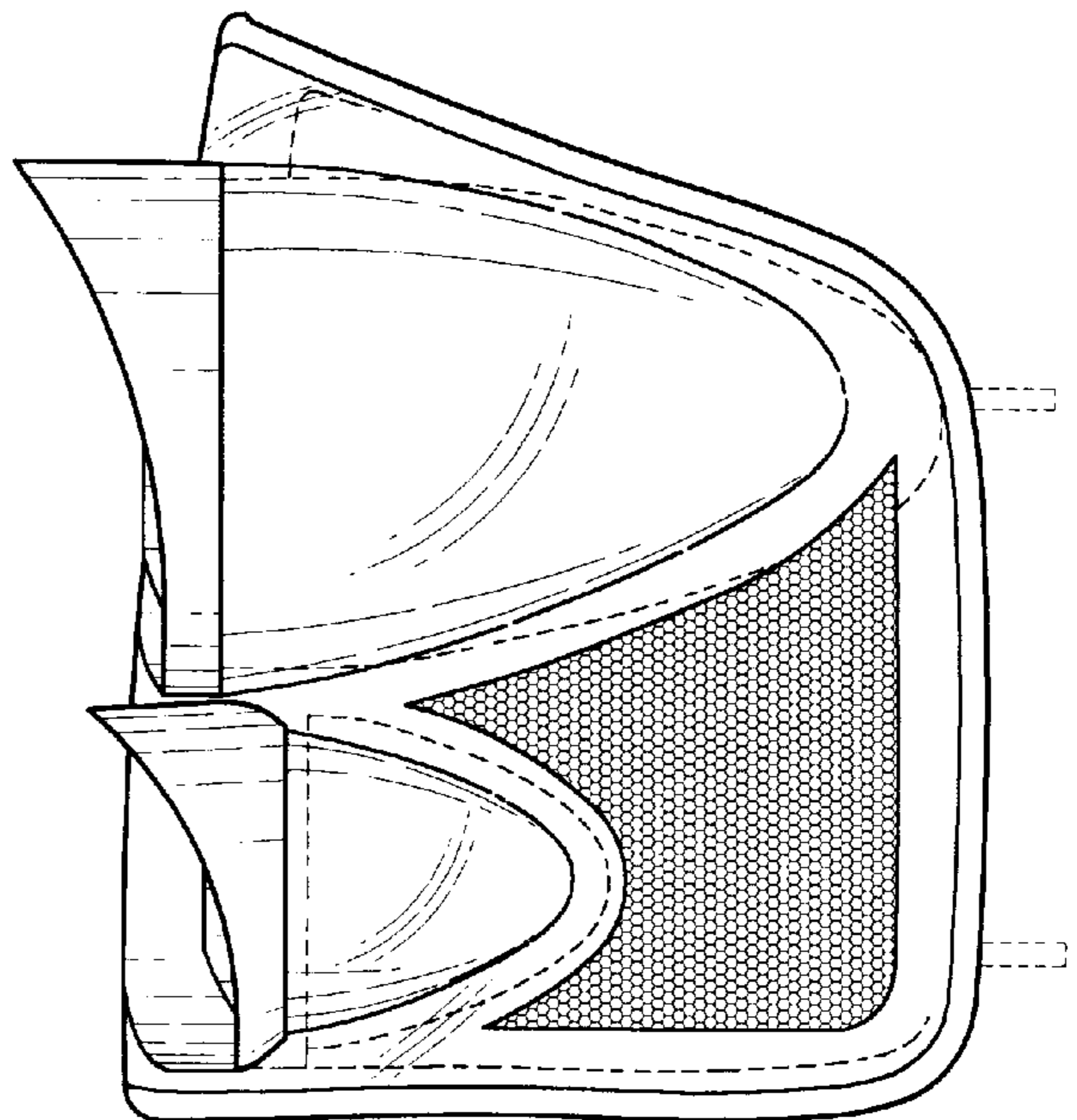


FIG. 4

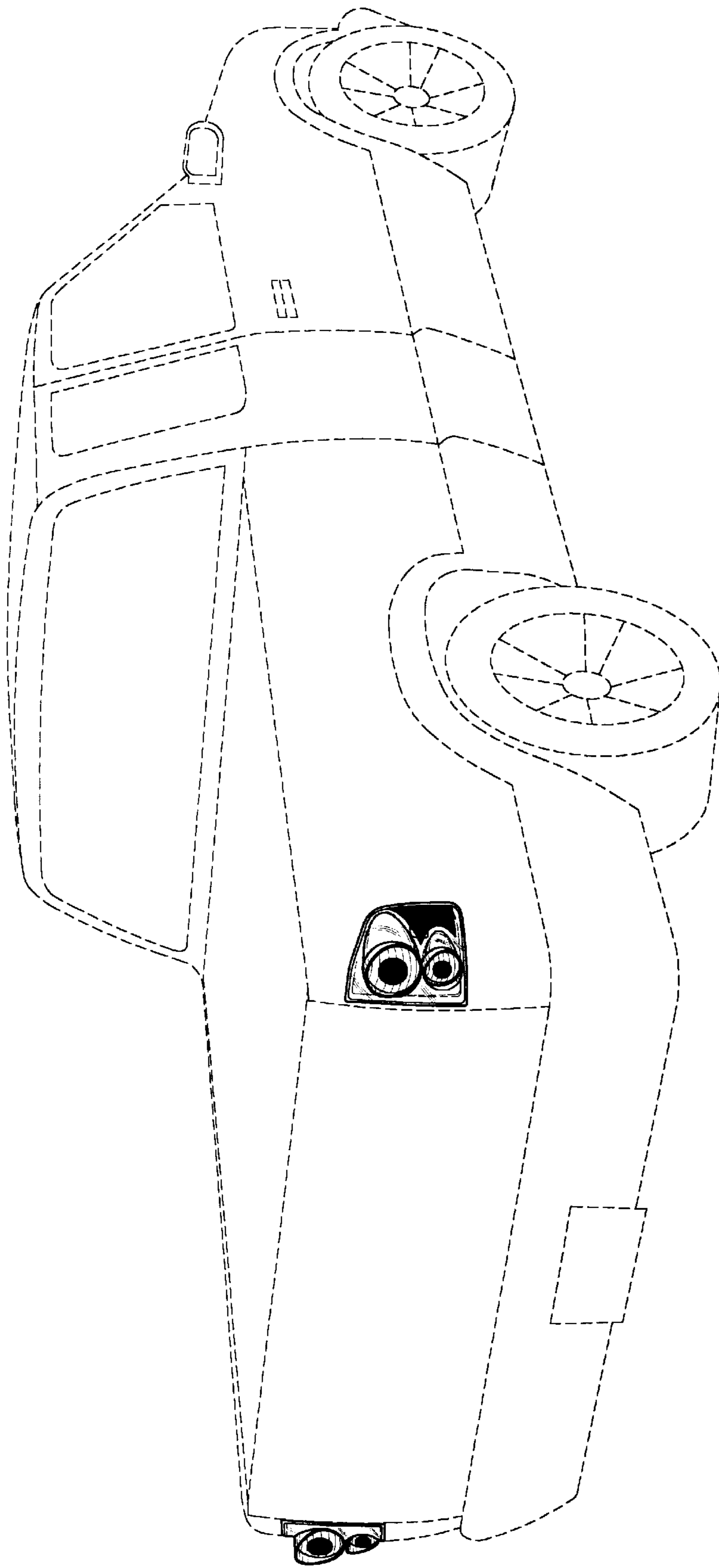


FIG. 6