



US00D468461S

(12) **United States Design Patent**
Yu

(10) **Patent No.:** **US D468,461 S**

(45) **Date of Patent:** **** Jan. 7, 2003**

(54) **NIGHT LIGHT**

D459,503 S * 6/2002 Chen D26/26

(76) Inventor: **Jeff Yu**, 1101 S. Winchester Blvd.
#D146, San Jose, CA (US) 95128

* cited by examiner

(**) Term: **14 Years**

Primary Examiner—Alan P. Douglas
Assistant Examiner—Clare E. Heflin

(21) Appl. No.: **29/162,659**

(57) **CLAIM**

(22) Filed: **Jun. 20, 2002**

The ornamental design for a night light, as shown and described.

(51) **LOC (7) Cl.** **26-05**

(52) **U.S. Cl.** **D26/26**

(58) **Field of Search** D26/26; D23/366,
D23/367; 362/147, 404, 226, 276, 95

DESCRIPTION

(56) **References Cited**

U.S. PATENT DOCUMENTS

D189,365 S	*	11/1960	Kraus	D26/26
D194,703 S	*	2/1963	Rifkin	D26/26
D346,869 S	*	5/1994	Houssian	D26/26
D393,084 S	*	3/1998	Hergert	D26/26

FIG. 1 is a front perspective view of a night light;
FIG. 2 is a front elevational view thereof;
FIG. 3 is a left elevational view thereof;
FIG. 4 is a rear elevational view thereof;
FIG. 5 is a top view thereof; and,
FIG. 6 is a bottom view thereof.

The broken lines shown on the drawings are for illustrative purposes only and form no part of the claimed design.

1 Claim, 2 Drawing Sheets

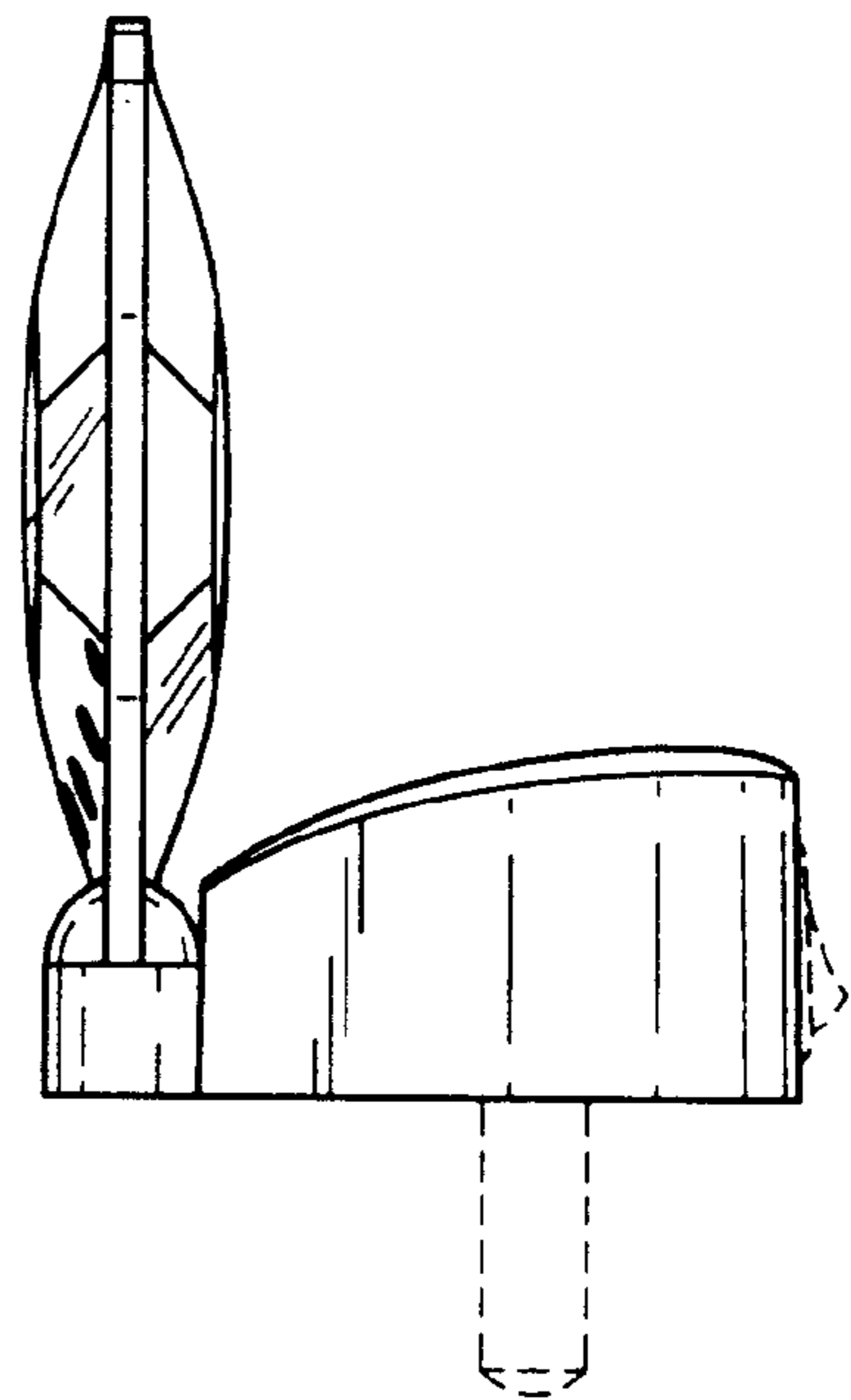
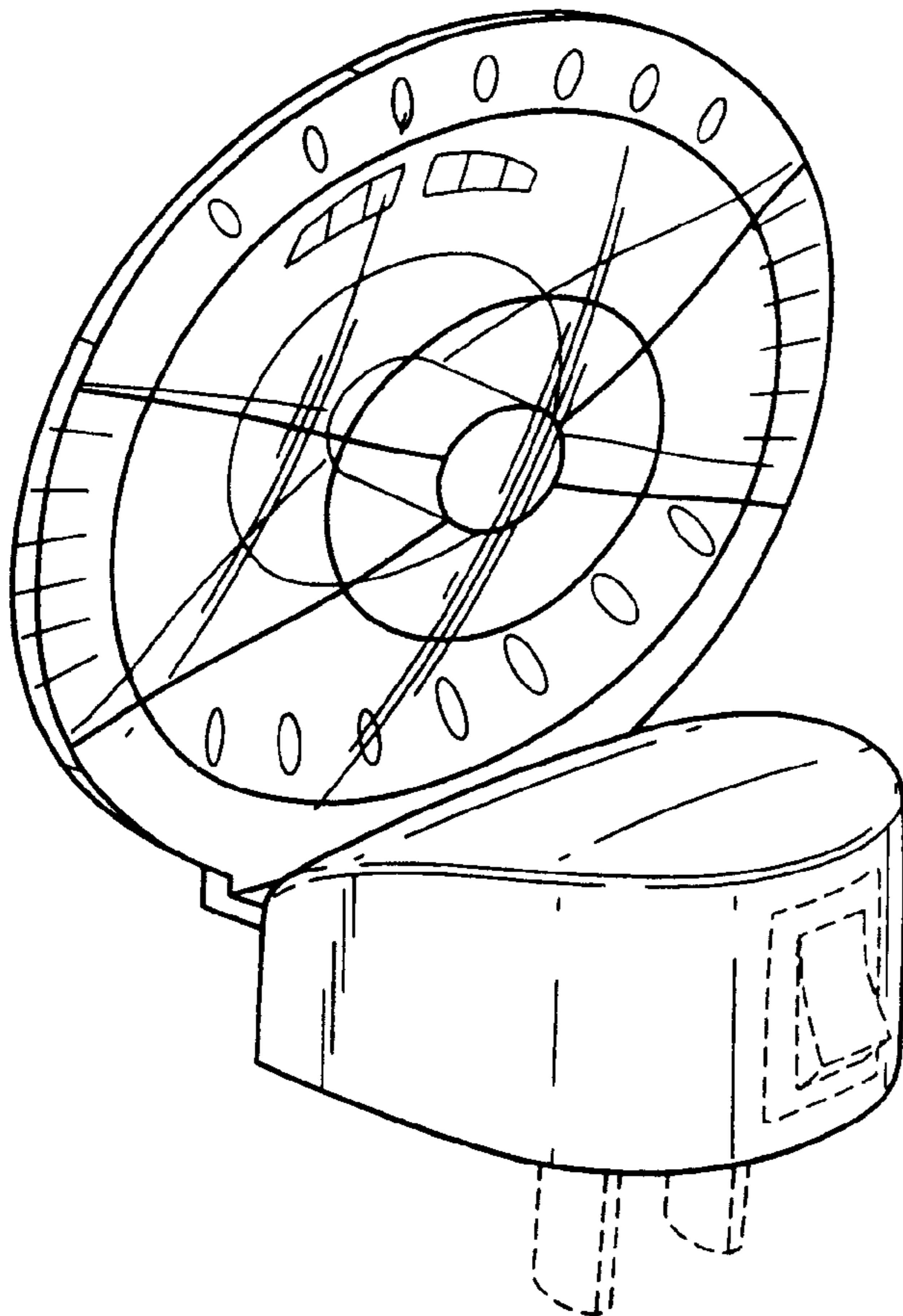


FIG. 1

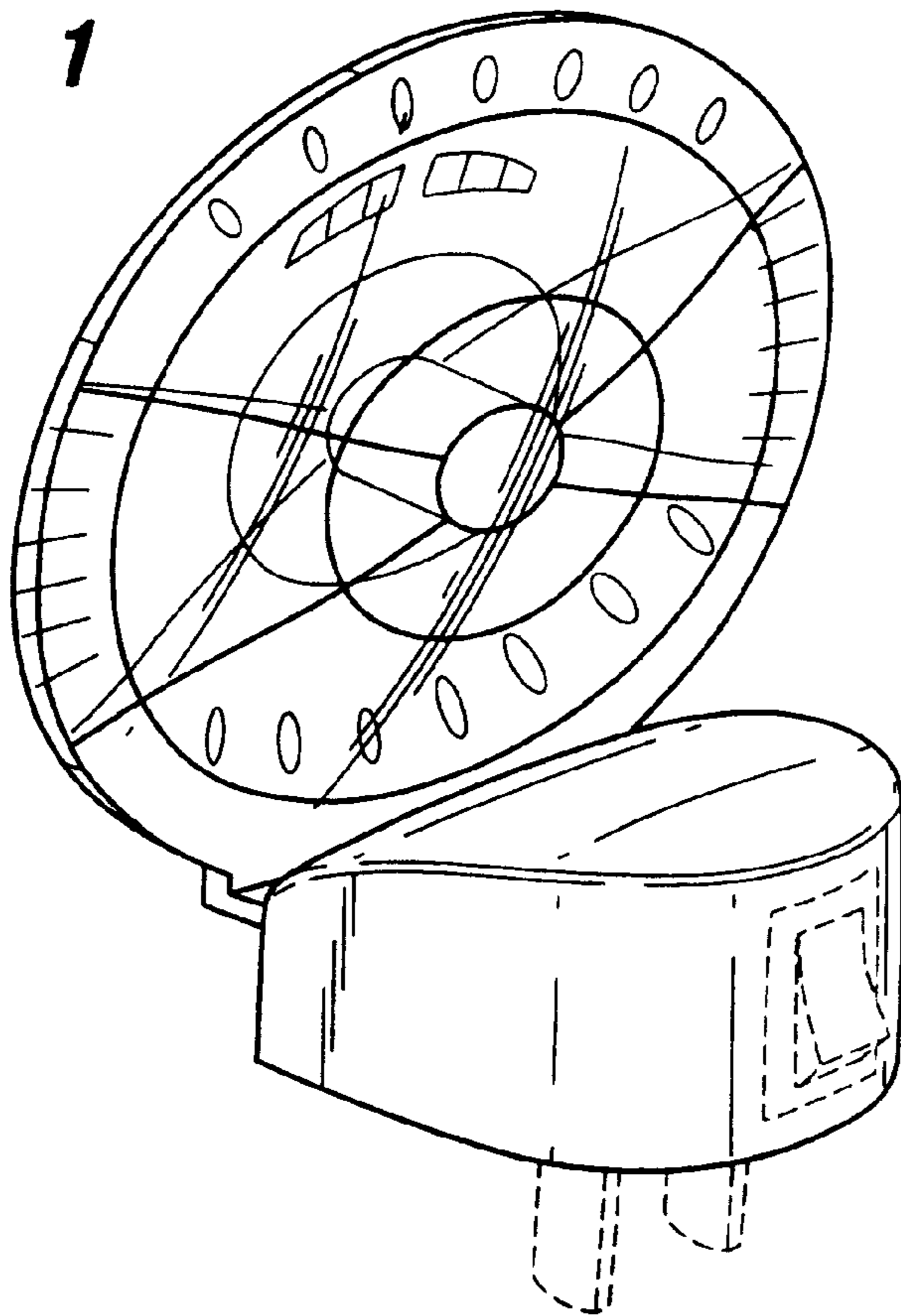


FIG. 2

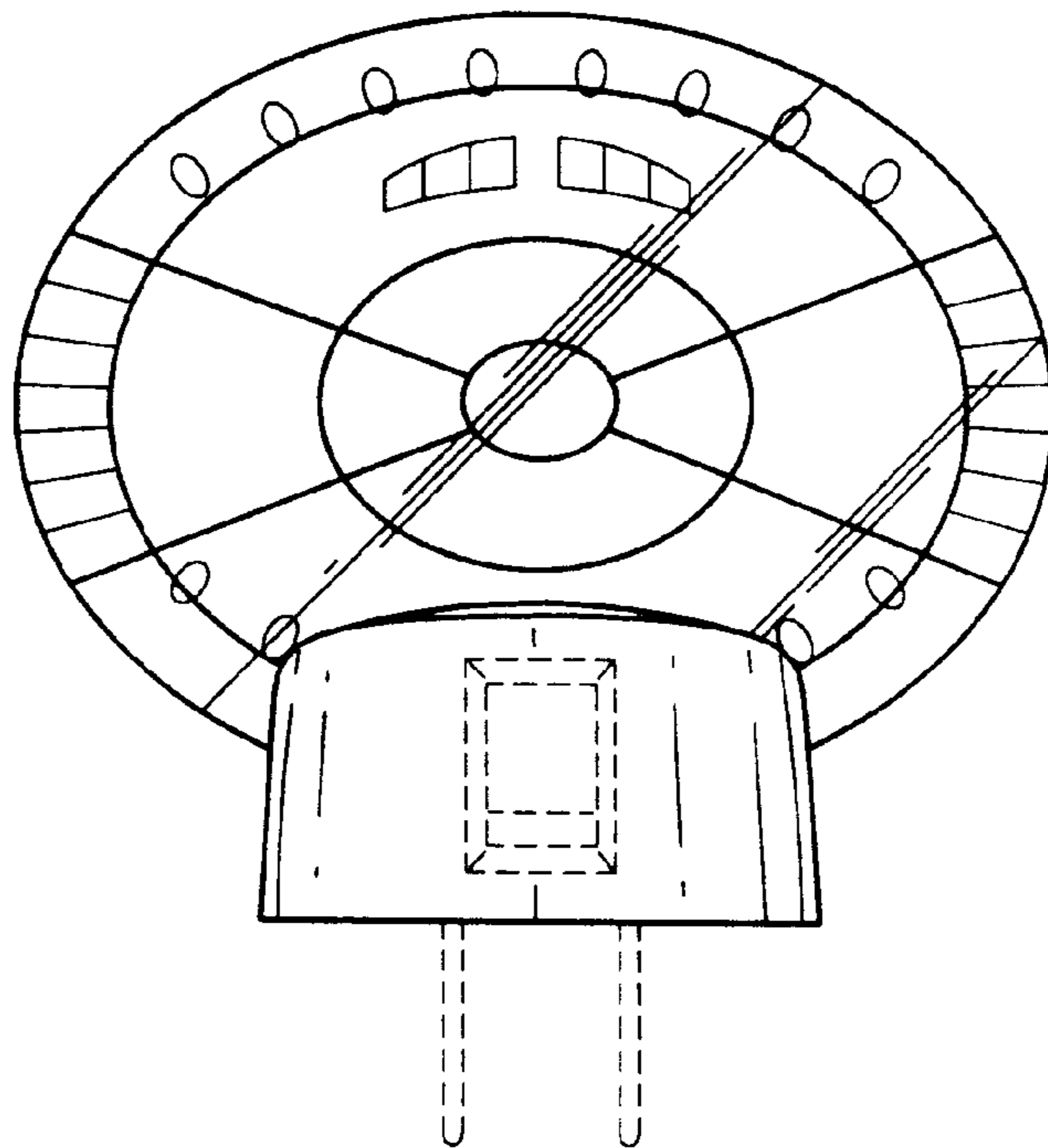


FIG. 3

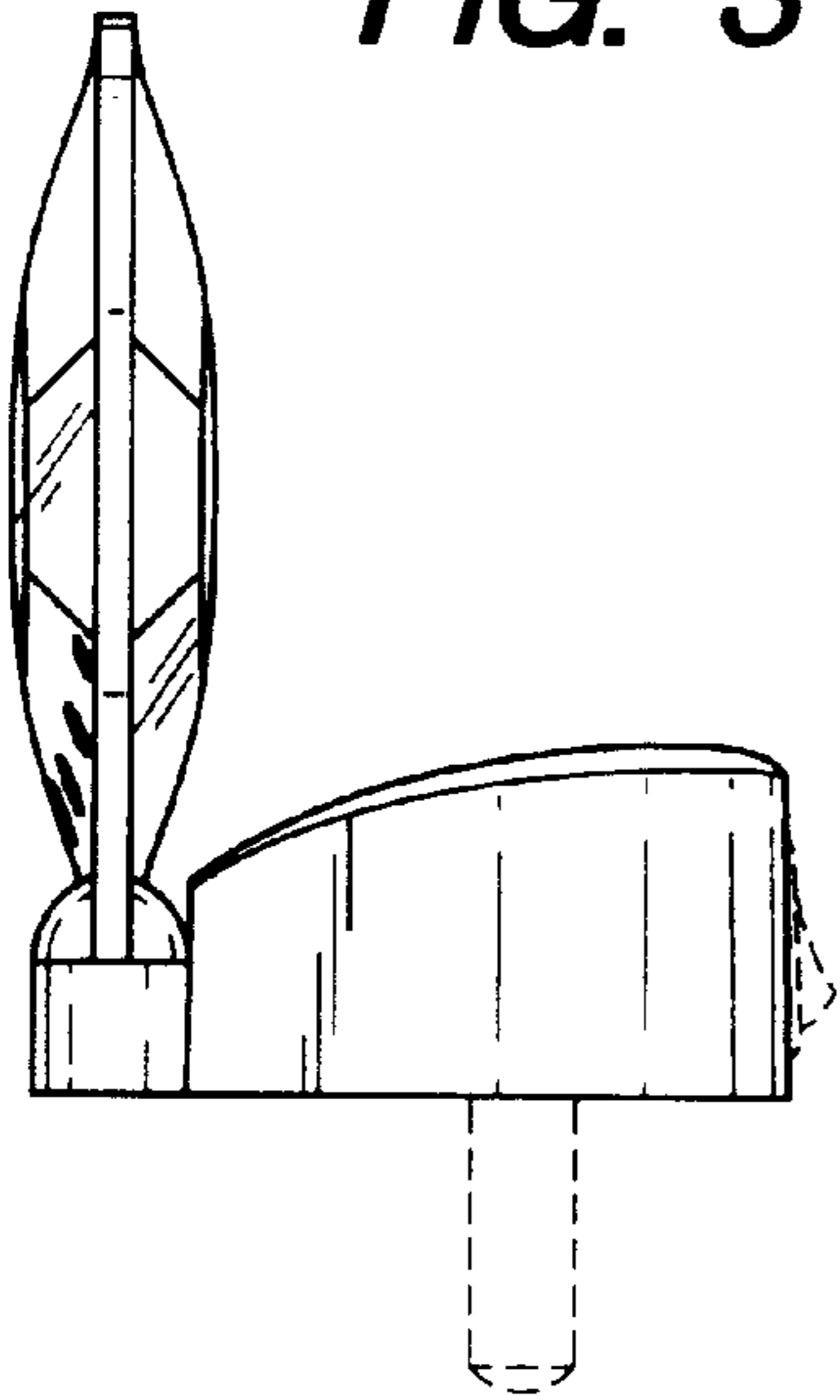


FIG. 4

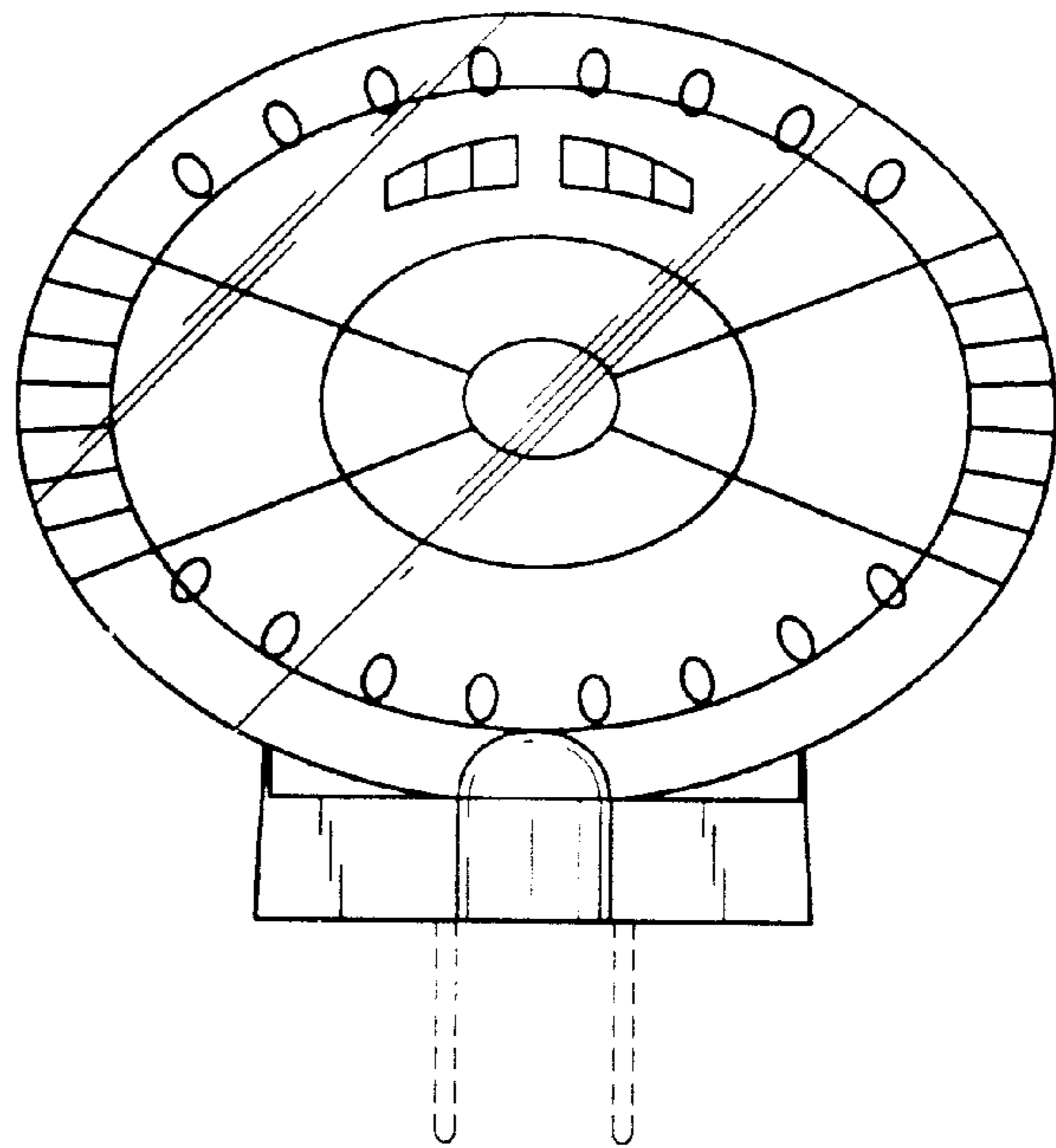


FIG. 5

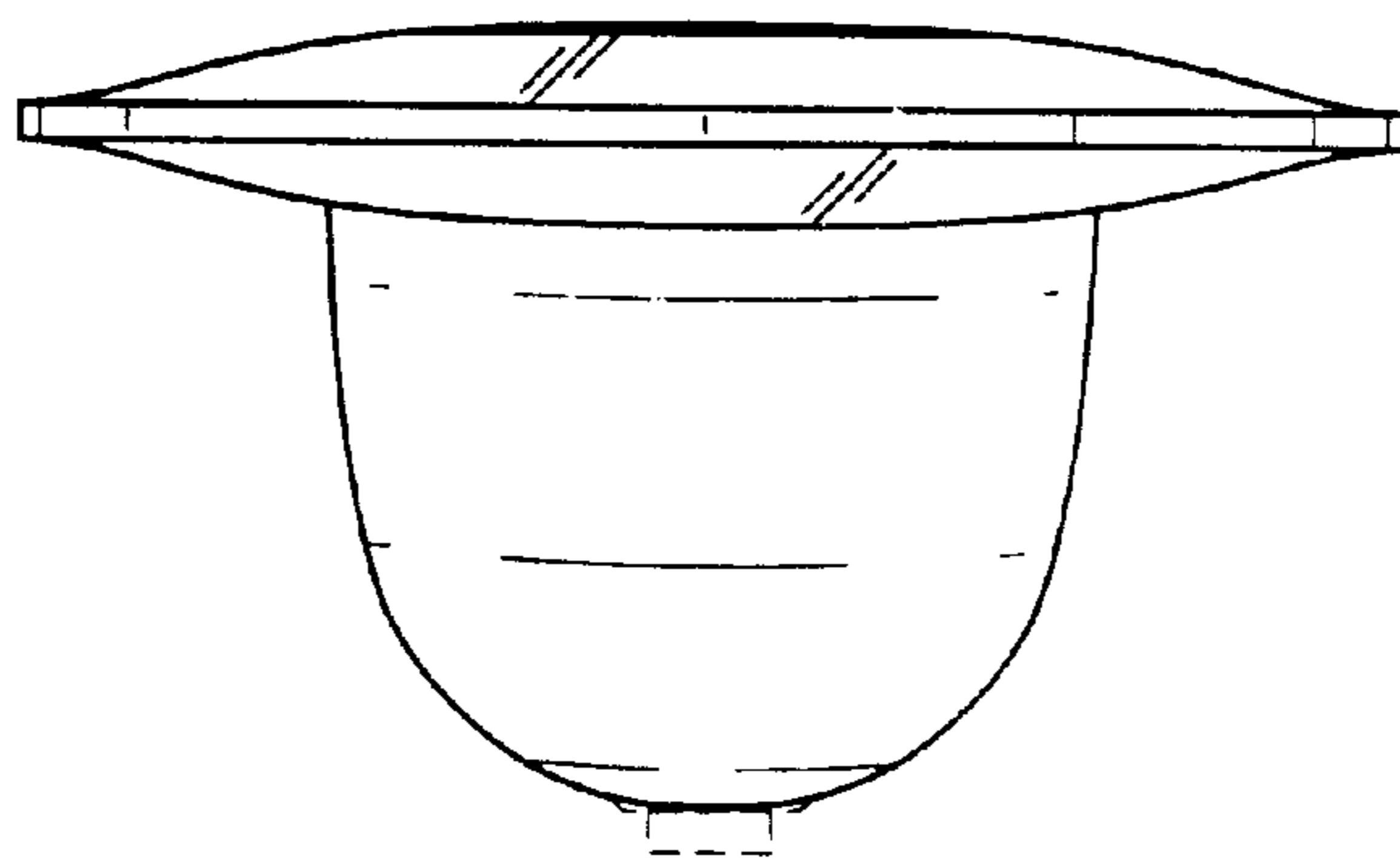


FIG. 6

