



US00D468460S

(12) **United States Design Patent**
Yu

(10) **Patent No.:** **US D468,460 S**

(45) **Date of Patent:** **** Jan. 7, 2003**

(54) **NIGHT LIGHT**

(76) **Inventor:** **Jeff Yu**, 1101 S. Winchester Blvd.
#D146, San Jose, CA (US) 95128

(**) **Term:** **14 Years**

(21) **Appl. No.:** **29/159,764**

(22) **Filed:** **Apr. 29, 2002**

(51) **LOC (7) Cl.** **26-05**

(52) **U.S. Cl.** **D26/26**

(58) **Field of Search** D26/26; D23/366,
D23/367; 362/147, 404, 226, 276, 95

(56) **References Cited**

U.S. PATENT DOCUMENTS

D194,703 S	*	2/1963	Rifkin	D26/26
D346,869 S	*	5/1994	Houssian	D26/26
D459,503 S	*	6/2002	Chen	D26/26

* cited by examiner

Primary Examiner—Alan P. Douglas

Assistant Examiner—Clare E. Heflin

(57) **CLAIM**

The ornamental design for night light, as shown and described.

DESCRIPTION

FIG. 1 is a front perspective view of a night light;

FIG. 2 is a front elevational view thereof;

FIG. 3 is a top view thereof;

FIG. 4 is a right elevational view thereof;

FIG. 5 is a left elevational view thereof;

FIG. 6 is a bottom view thereof; and,

FIG. 7 is a rear elevational view thereof.

The broken lines shown on the drawings are for illustrative purposes only and form no part of the claimed design.

1 Claim, 2 Drawing Sheets

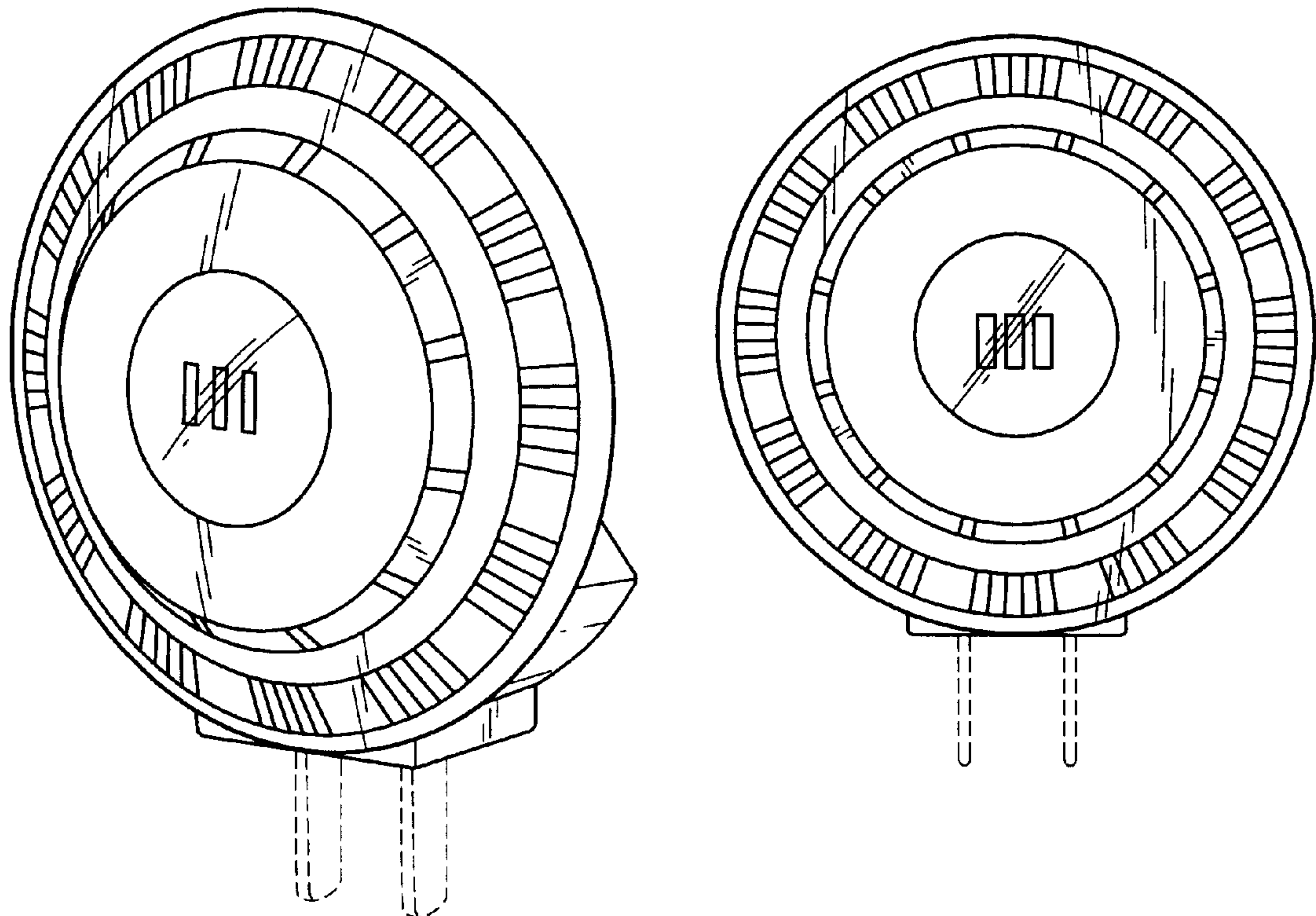


FIG. 1

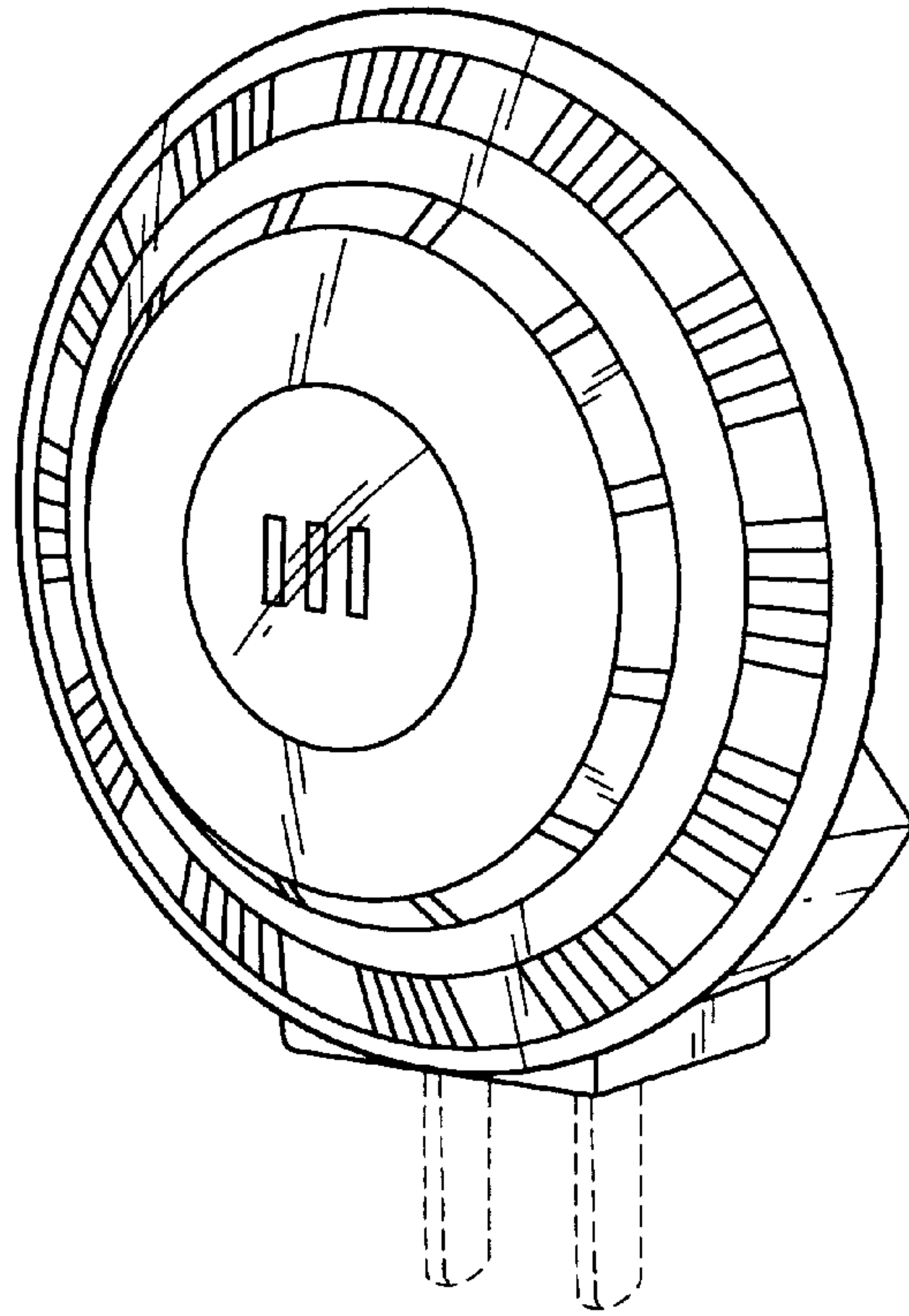


FIG. 2

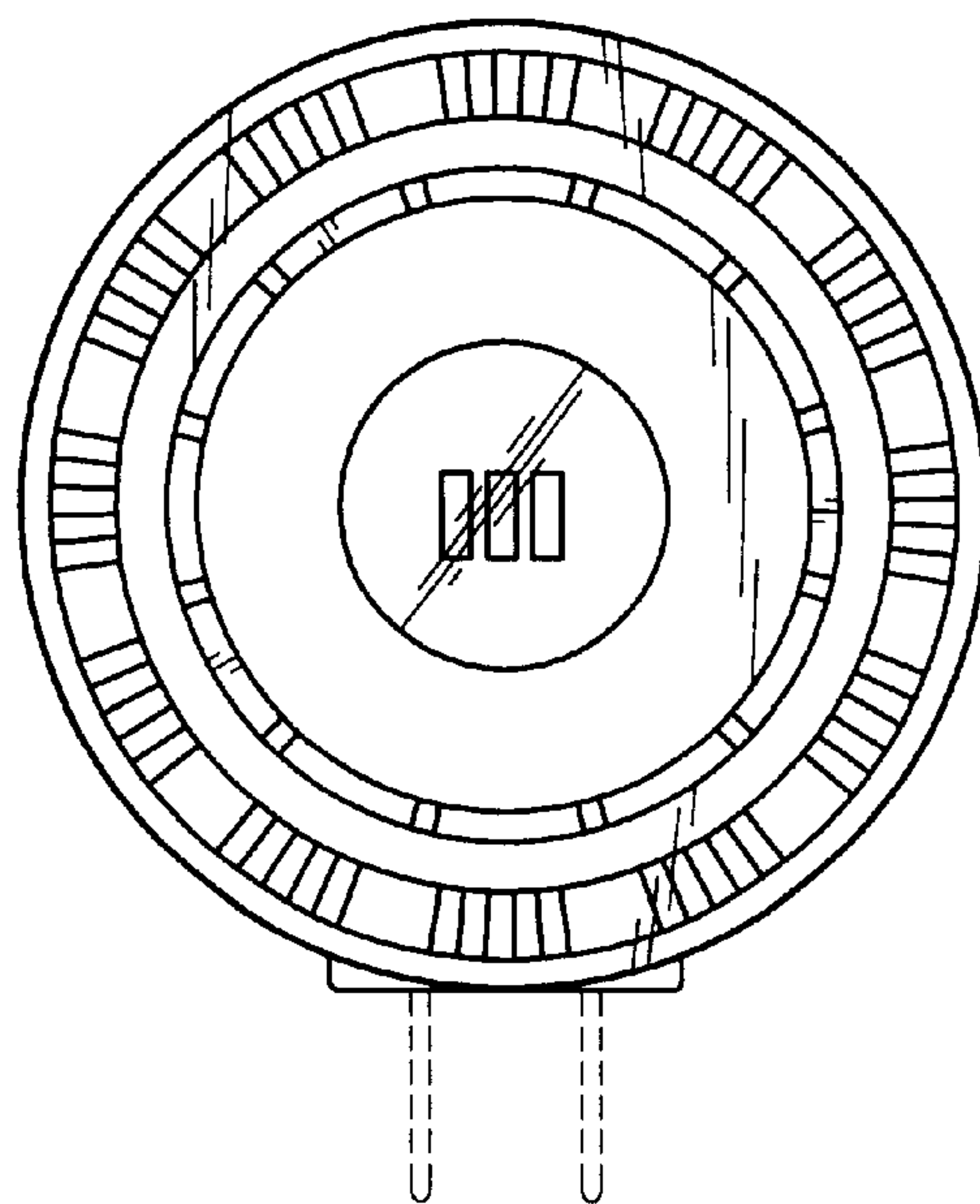


FIG. 3

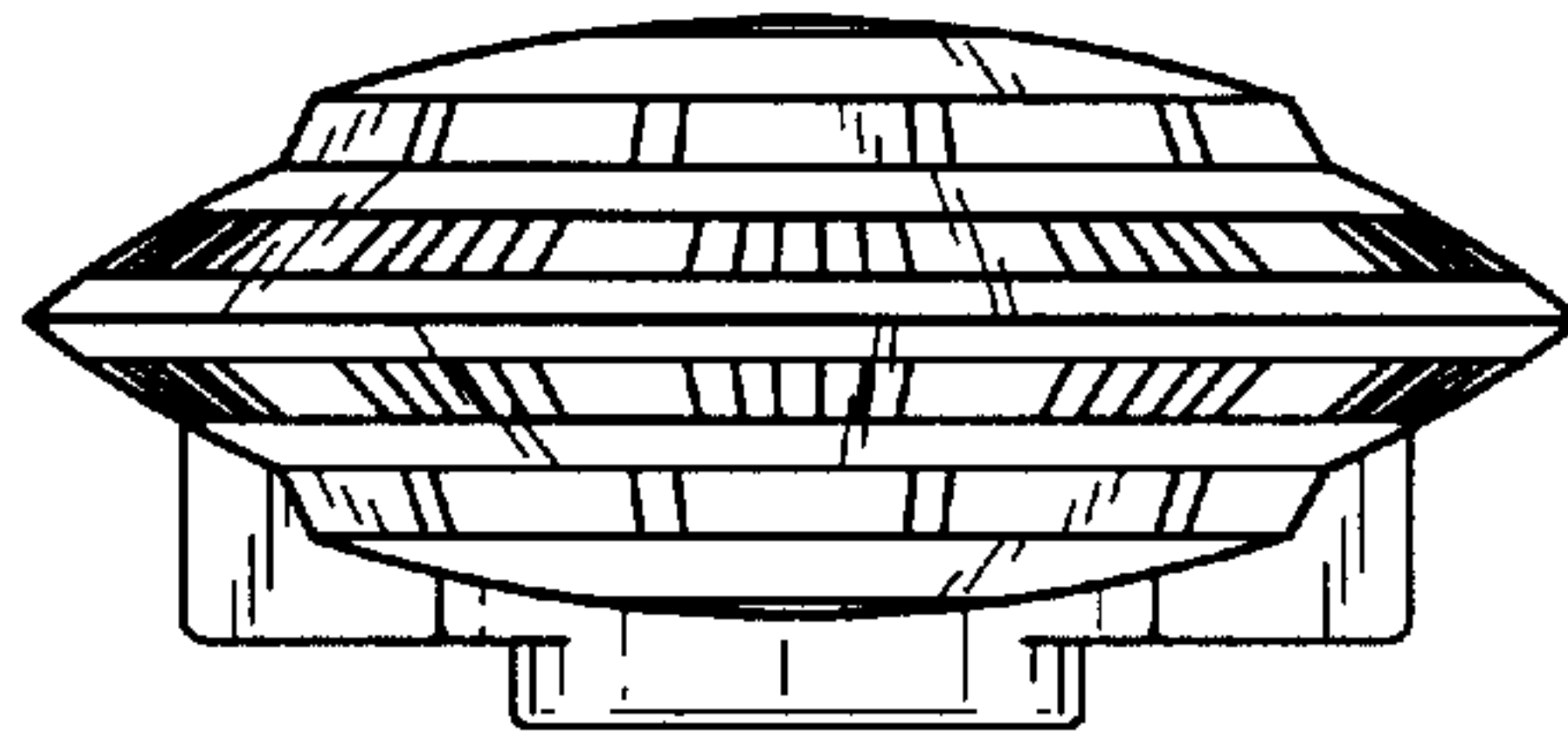


FIG. 4

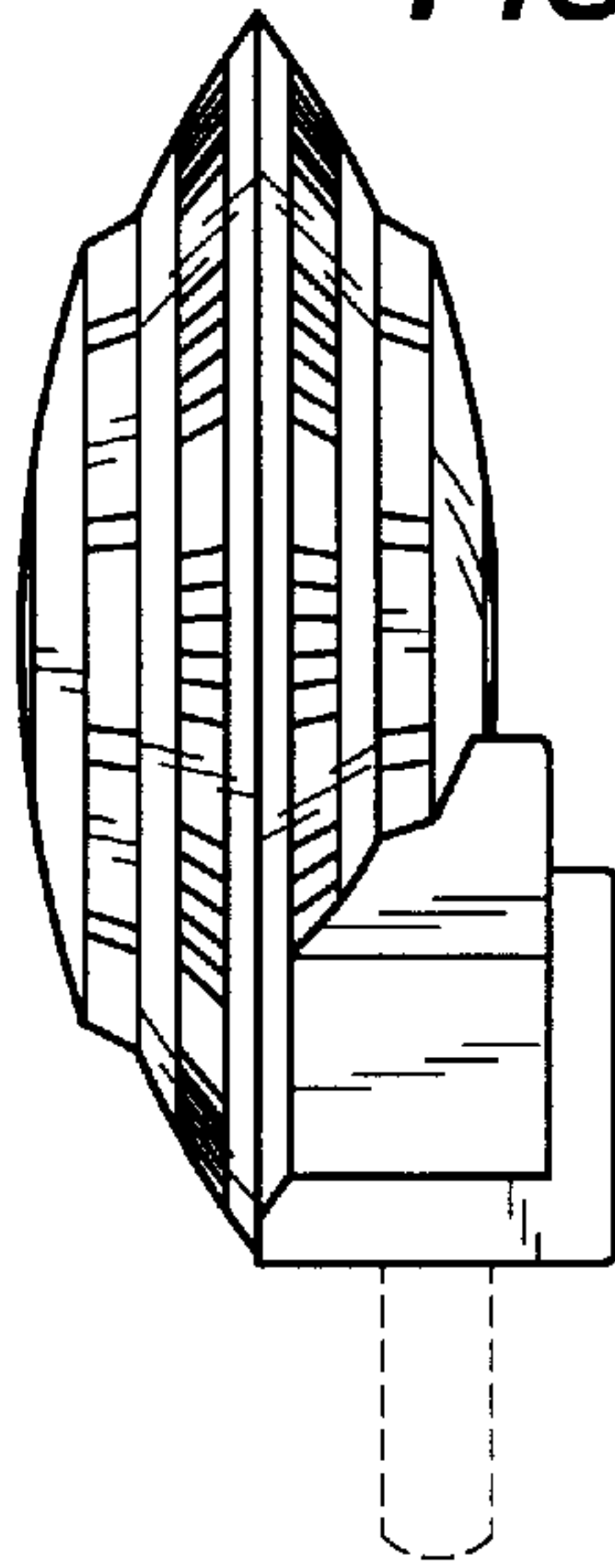


FIG. 5

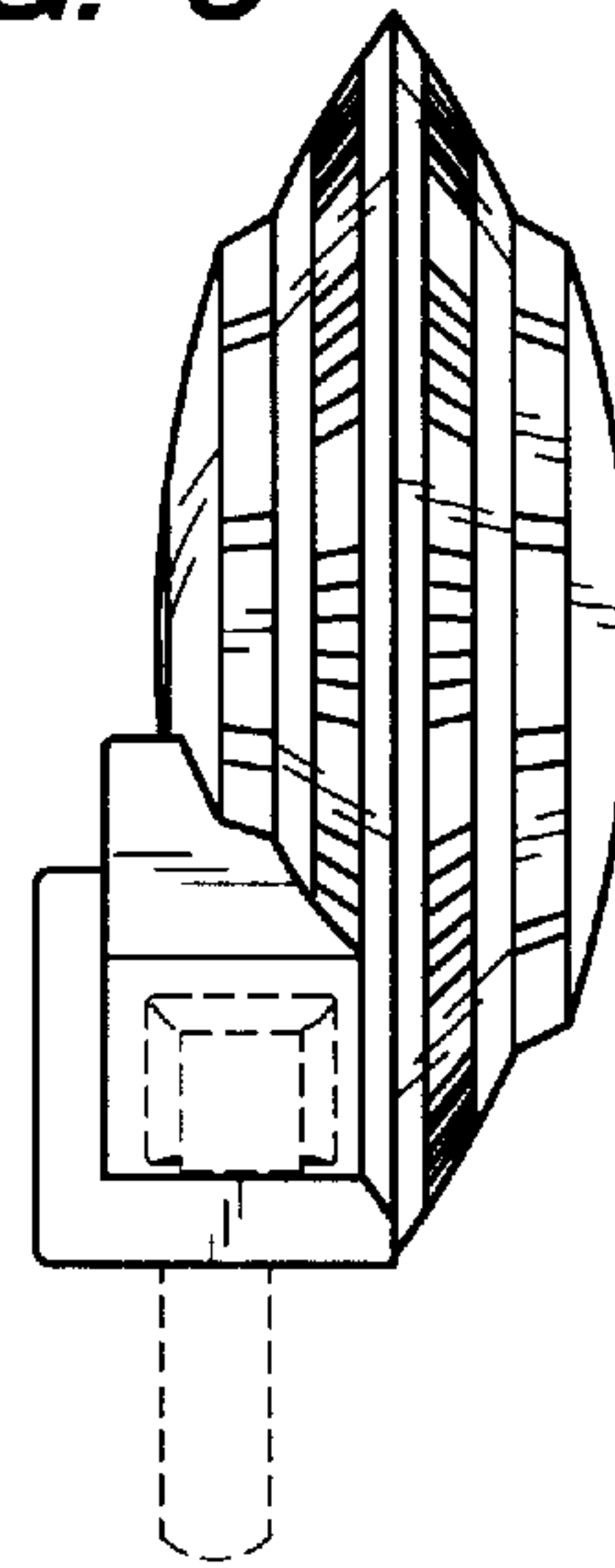


FIG. 6

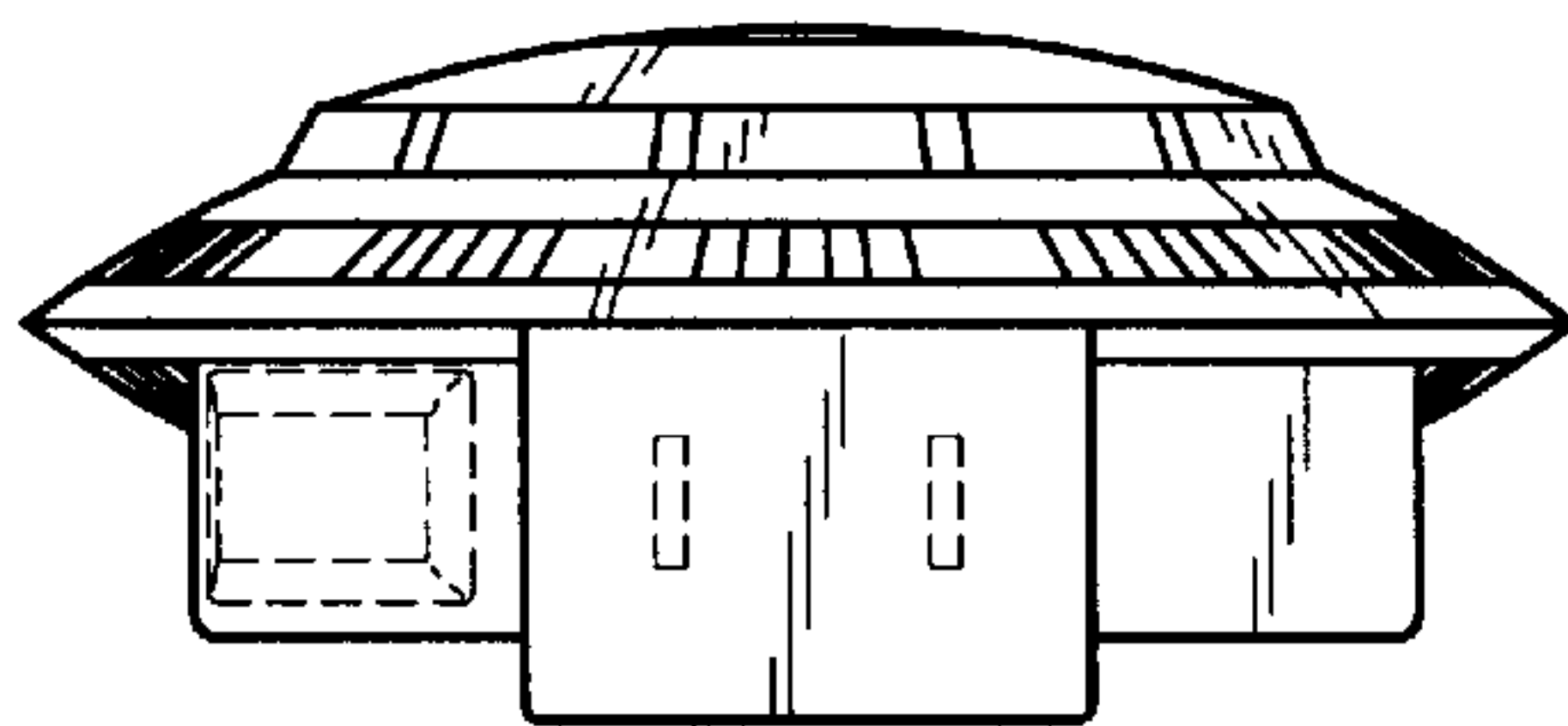


FIG. 7

