



US00D468457S

(12) **United States Design Patent**  
**Shemitz et al.**

(10) **Patent No.:** **US D468,457 S**

(45) **Date of Patent:** **\*\* Jan. 7, 2003**

(54) **DUAL HEAD COVE LUMINAIRE**

(75) Inventors: **Sylvan R. Shemitz**, Woodbridge, CT (US); **Paul R. Ford**, Orange, CT (US)

(73) Assignee: **Sylvan R. Shemitz Designs, Inc.**, West Haven, CT (US)

(\*\*) Term: **14 Years**

(21) Appl. No.: **29/155,046**

(22) Filed: **Feb. 1, 2002**

(51) **LOC (7) Cl.** ..... **26-03**

(52) **U.S. Cl.** ..... **D26/6**

(58) **Field of Search** ..... D26/72, 75-79;  
362/217-225

(56) **References Cited**

**U.S. PATENT DOCUMENTS**

D117,301 S	*	10/1939	Welch	.....	D26/78
D135,254 S	*	3/1943	Hrabak	.....	362/217
2,487,468 A	*	11/1949	Naysmith	.....	362/221
D259,586 S		6/1981	Johnson		
D284,110 S		6/1986	Mullins		
D397,479 S		8/1998	Compton et al.		
D399,329 S		10/1998	Compton et al.		
D432,696 S		10/2000	Ford		

**OTHER PUBLICATIONS**

“Covelight IV” data sheets, Focal Point LLC, Jun. 1999.  
“Fluorescent Continuous Row Mini T5/T5HO Cove Mount” data sheet, Winona Lighting, Mar. 2001.

\* cited by examiner

*Primary Examiner*—Alan P. Douglas

*Assistant Examiner*—Clare E. Heflin

(74) *Attorney, Agent, or Firm*—Fish & Neave; Garry J. Tuma

(57) **CLAIM**

The ornamental design for a dual head cove luminaire, as shown and described.

**DESCRIPTION**

FIG. 1 is a front, left, top, perspective view of a dual head cove luminaire, showing our new design;

FIG. 2 is a right side elevational view thereof, the left side being a mirror image;

FIG. 3 is a top plan view thereof;

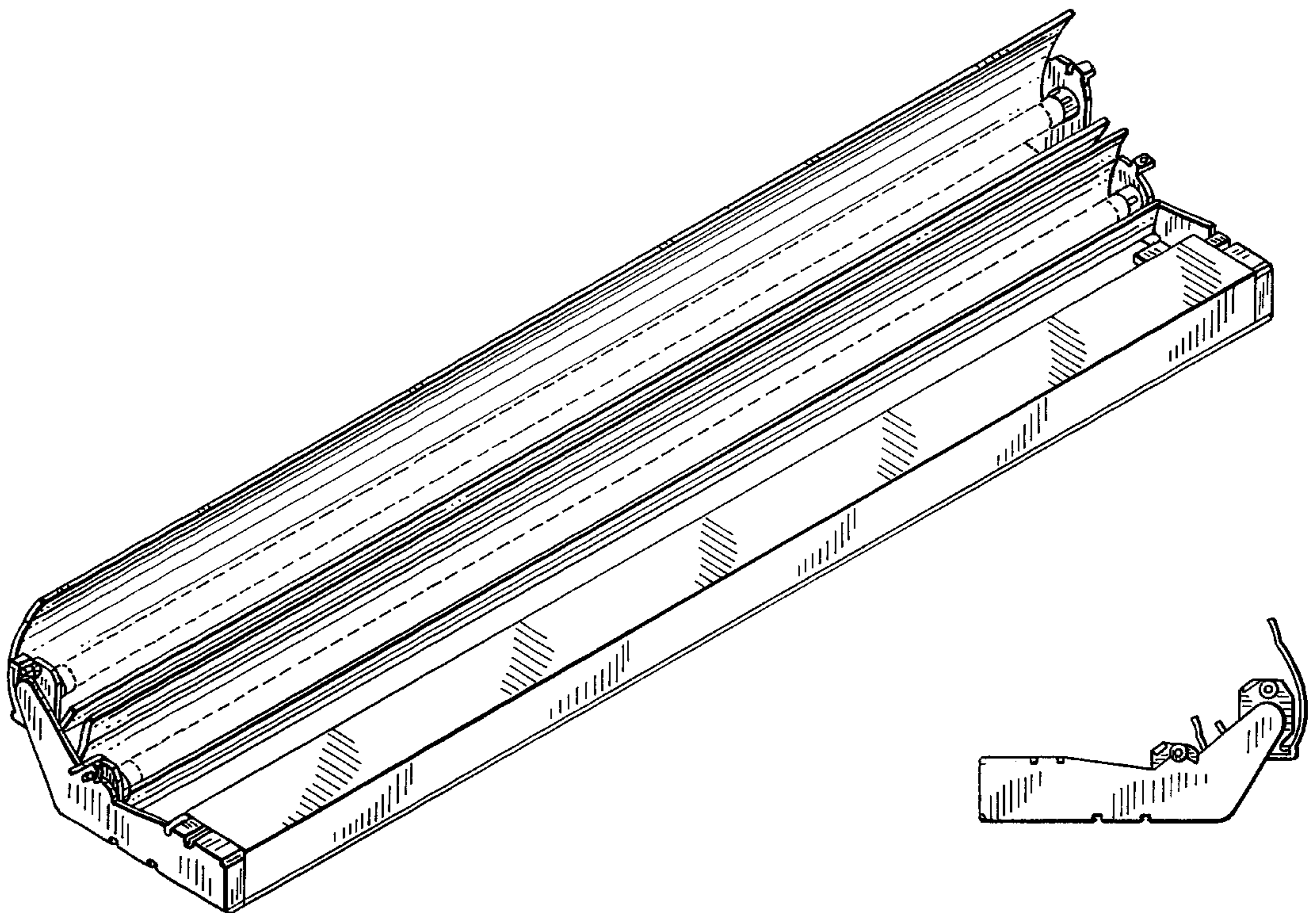
FIG. 4 is a front elevational view thereof;

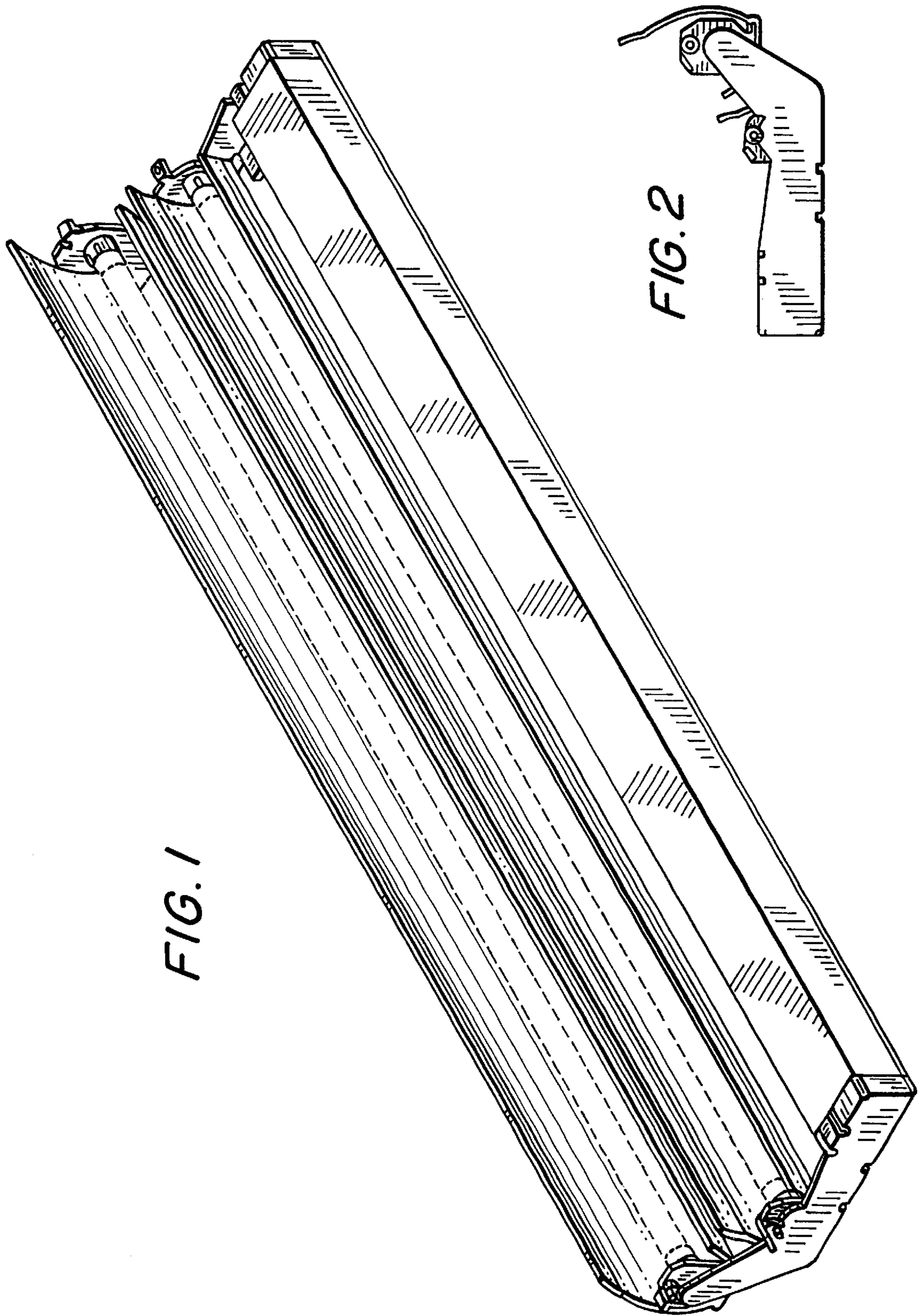
FIG. 5 is a rear elevational view thereof; and,

FIG. 6 is a bottom plan view thereof.

The subject matter shown in broken line represents unclaimed fluorescent lamps which are shown for illustrative purposes and form no part of the claimed design.

**1 Claim, 4 Drawing Sheets**





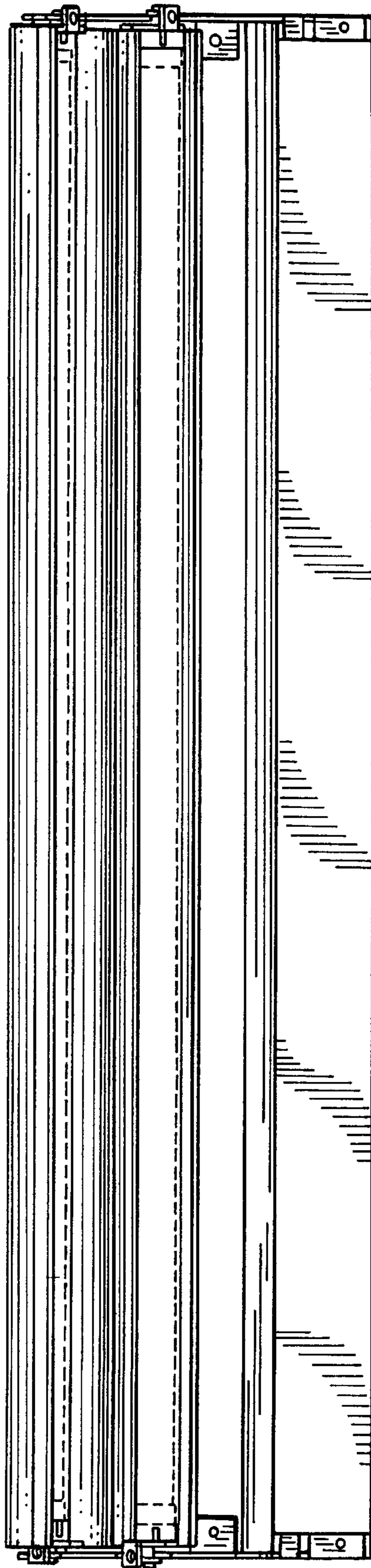
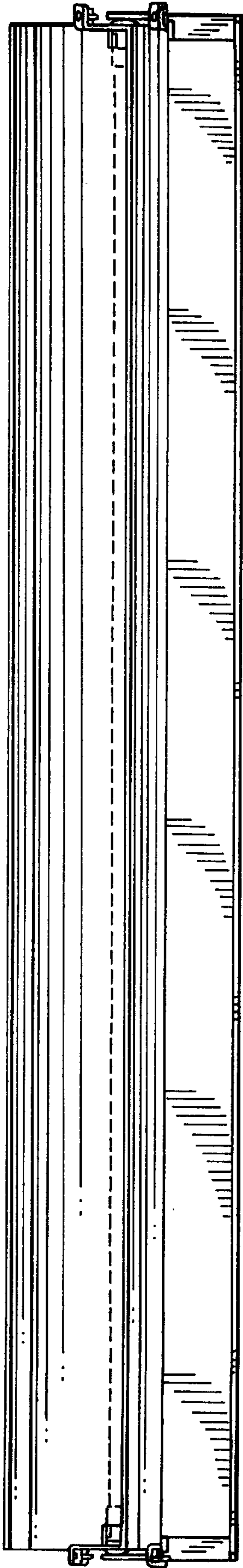
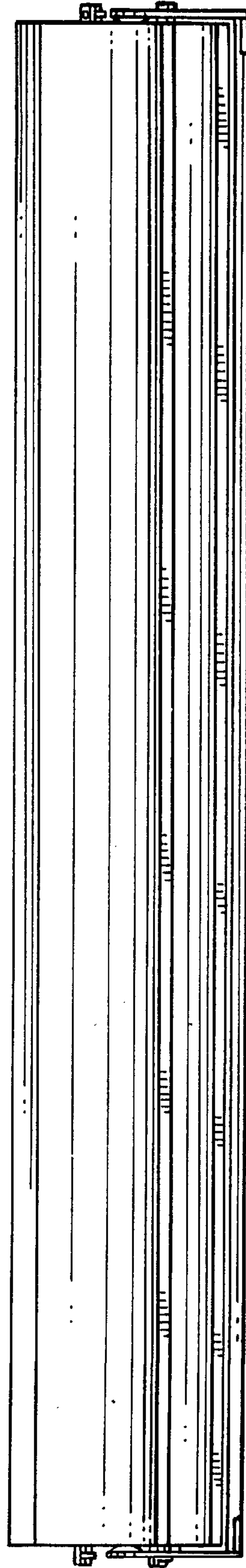


FIG. 3

*FIG. 4*



*FIG. 5*



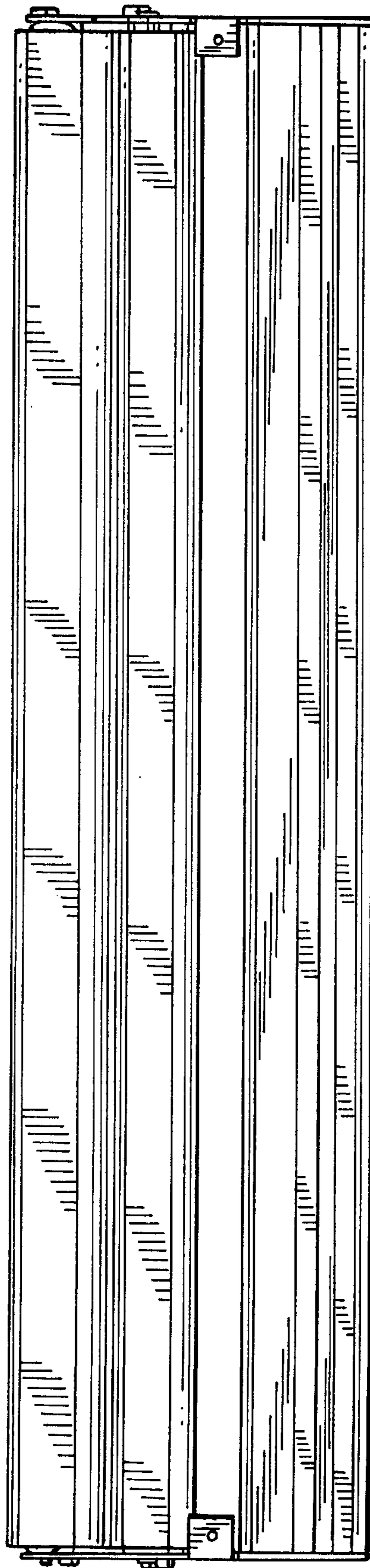


FIG. 6