



US00D468454S

(12) **United States Design Patent**
Cole

(10) **Patent No.:** **US D468,454 S**

(45) **Date of Patent:** **** Jan. 7, 2003**

(54) **WINDOW COMPONENT EXTRUSION**

D457,255 S 5/2002 Cole

(75) Inventor: **Douglas L. Cole**, Seattle, WA (US)

* cited by examiner

(73) Assignee: **Mikron Industries, Inc.**, Kent, WA (US)

Primary Examiner—Doris Clark

(74) *Attorney, Agent, or Firm*—Seed IP Law Group PLLC

(**) Term: **14 Years**

(21) Appl. No.: **29/156,818**

(22) Filed: **Mar. 8, 2002**

(51) **LOC (7) Cl.** **25-01**

(52) **U.S. Cl.** **D25/124**

(58) **Field of Search** D25/124; 52/204.5,
52/204.1, 204.51, 230.3, 205.1, 202, 730.5,
731, 738, 732; 49/DIG. 2, 504, 505, 404,
413, 407, 408, 419

(57) **CLAIM**

The ornamental design for a window component extrusion, as shown and described.

DESCRIPTION

FIG. 1 is a top right perspective view of the window component extrusion which is broken in the center indicating indefinite length; and,

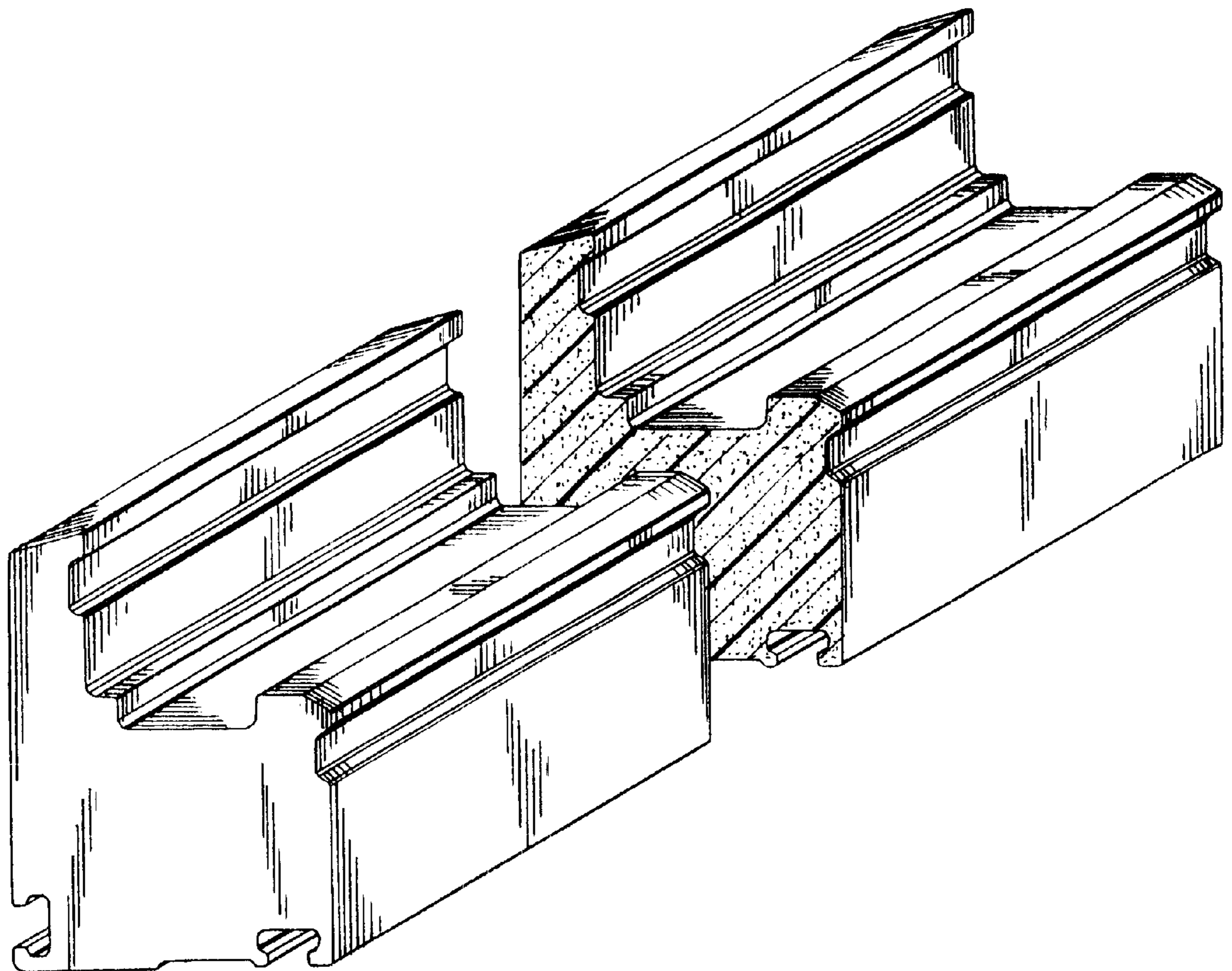
FIG. 2 is a bottom left perspective view of the window component extrusion shown in FIG. 1.

(56) **References Cited**

U.S. PATENT DOCUMENTS

6,003,277 A * 12/1999 Graham et al. 52/204.53

1 Claim, 1 Drawing Sheet



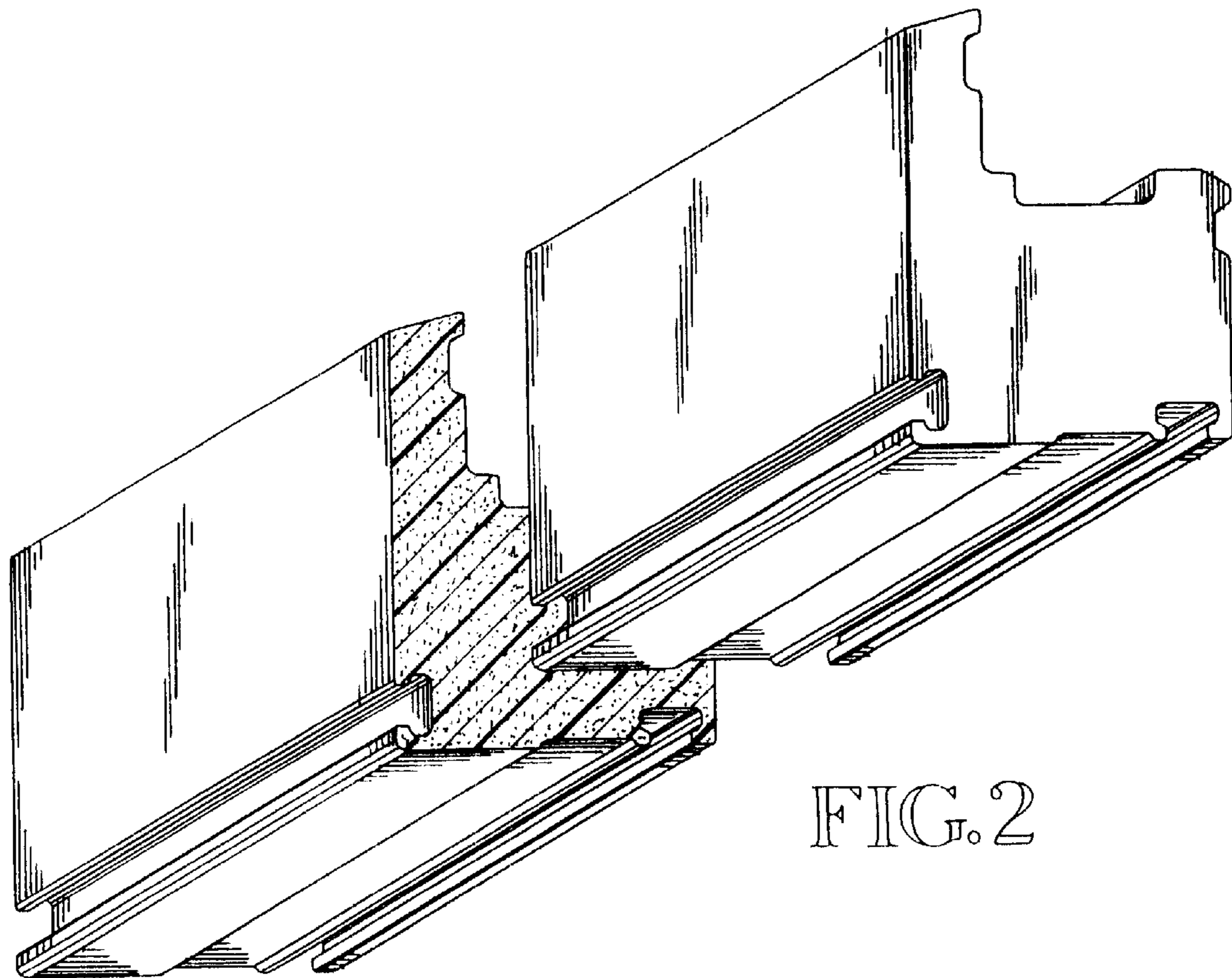
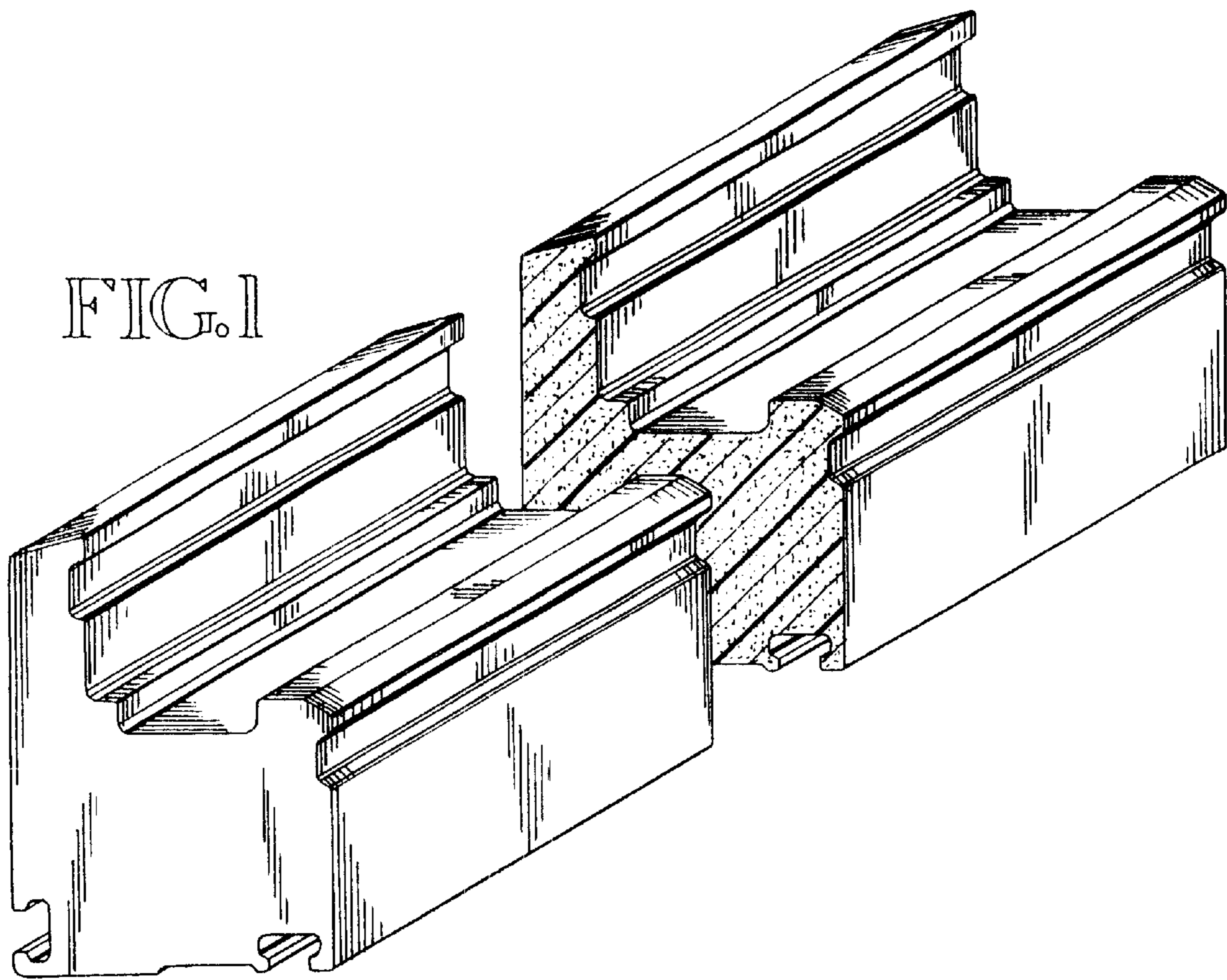


FIG. 2