



US00D468452S

(12) **United States Design Patent**  
**Jones**

(10) **Patent No.:** **US D468,452 S**  
(45) **Date of Patent:** **\*\* Jan. 7, 2003**

(54) **STRUCTURAL PEST CONTROL SYSTEM**

**DESCRIPTION**

(76) Inventor: **Ronald L. Jones**, 4120 Onagh Pl.,  
Suwanee, GA (US) 30174

(\*\*) Term: **14 Years**

(21) Appl. No.: **29/155,403**

(22) Filed: **Feb. 7, 2002**

(51) **LOC (7) Cl.** ..... **25-01**

(52) **U.S. Cl.** ..... **D25/119**

(58) **Field of Search** ..... D25/119, 136;  
52/252, 101

(56) **References Cited**

**U.S. PATENT DOCUMENTS**

D367,538 S \* 2/1996 Varin ..... D25/119  
5,669,187 A \* 9/1997 Bushong ..... 52/101

\* cited by examiner

*Primary Examiner*—Doris Clark

(74) *Attorney, Agent, or Firm*—Thomas, Kayden  
Horstemeyer & Risley LLP

(57) **CLAIM**

The ornamental design for the structural pest control system,  
as shown and described.

FIG. 1 is a fragmentary perspective view of my new design for a structural pest control system length for attachment to the base of structures. The structural pest control system may be suited with decorative grills shown in phantom lines, which form no part of the claim design;

FIG. 2 is a front elevation of the structural pest control system of FIG. 1;

FIG. 3 is a side elevation of the structural pest control system of FIG. 1, the opposite side of which is a mirror image;

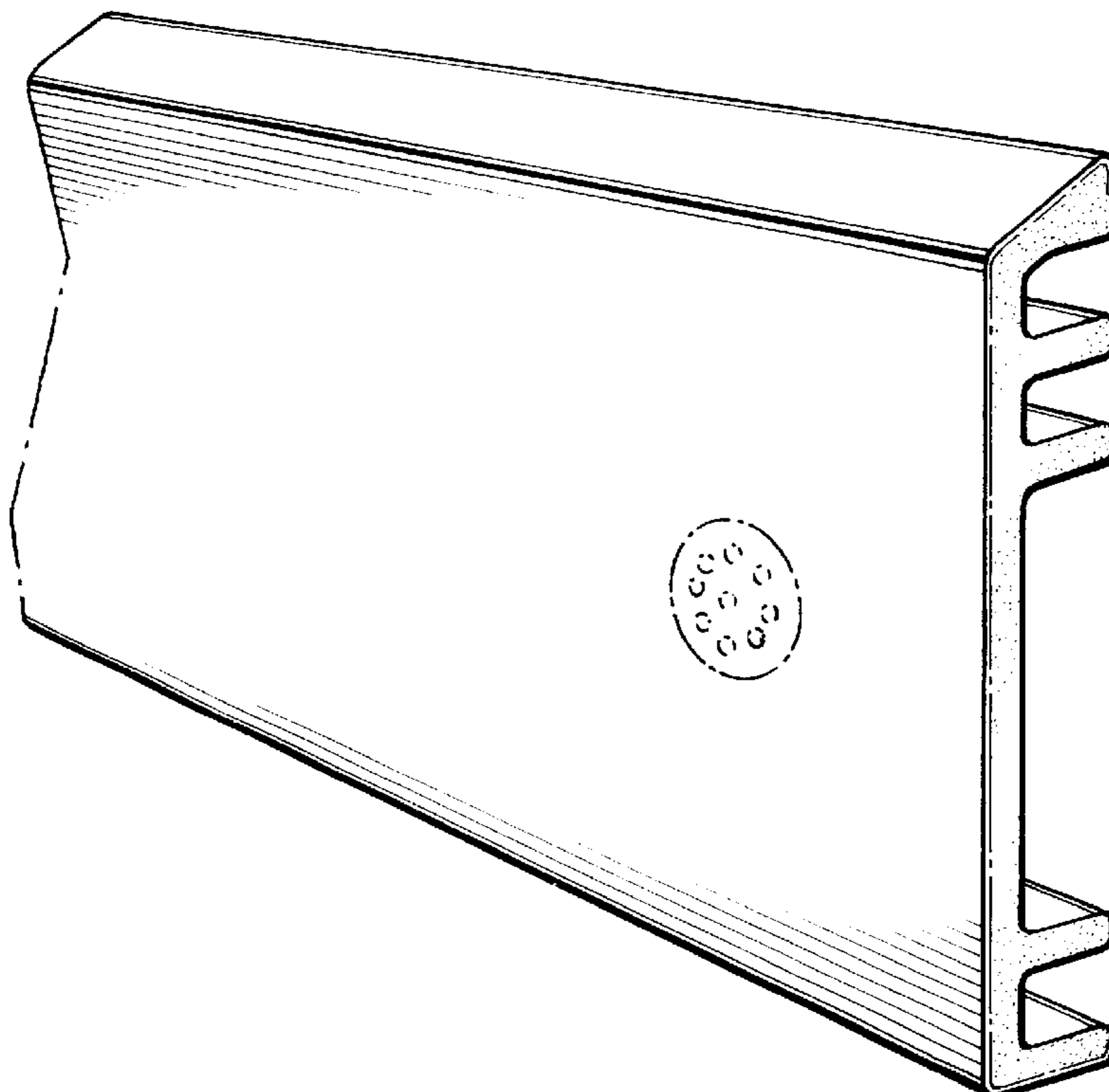
FIG. 4 is a top plan view of the structural pest control system of FIG. 1;

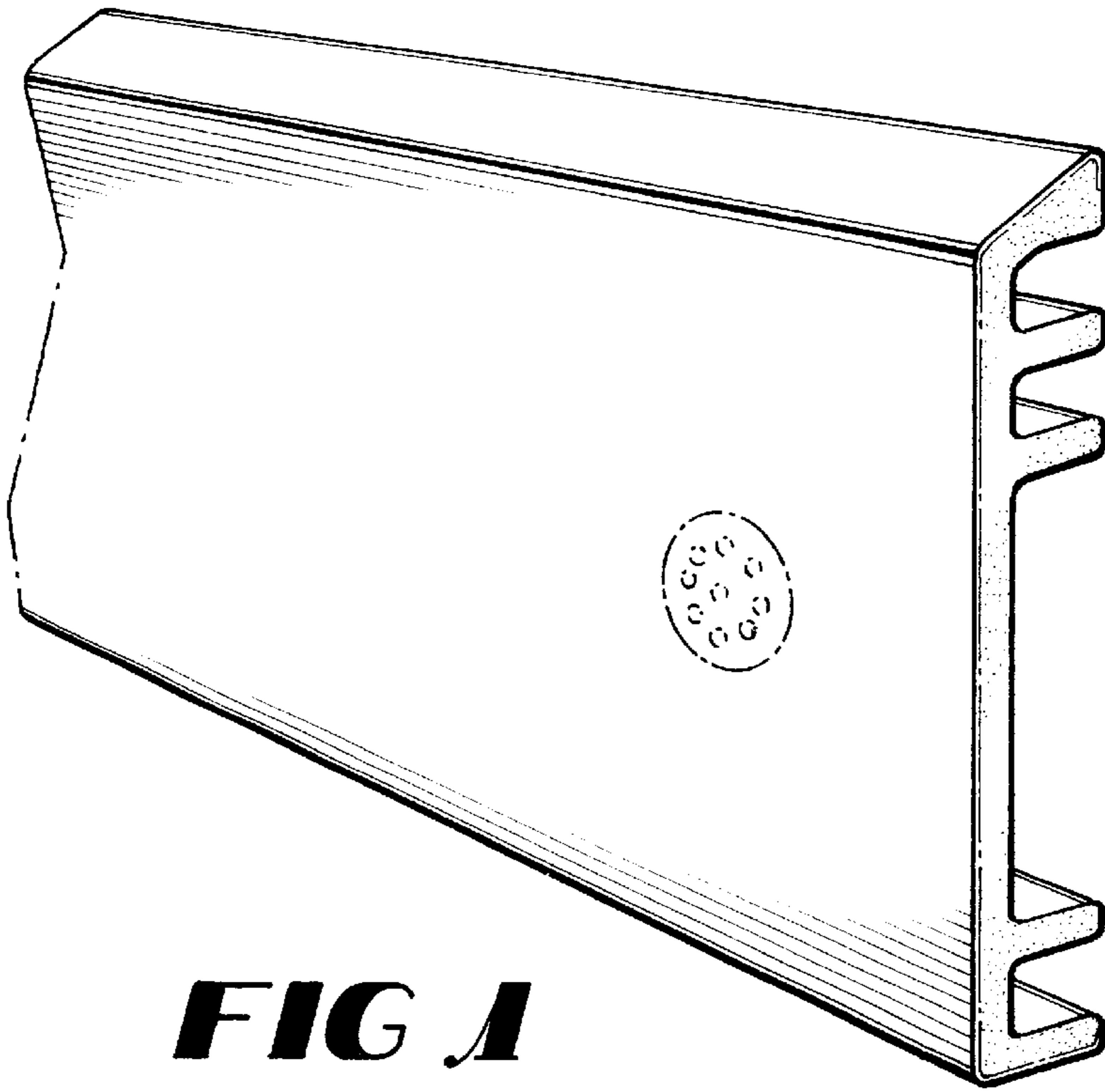
FIG. 5 is a rear elevation of the structural pest control system of FIG. 1; and,

FIG. 6 is a bottom plan view of the structural pest control system of FIG. 1.

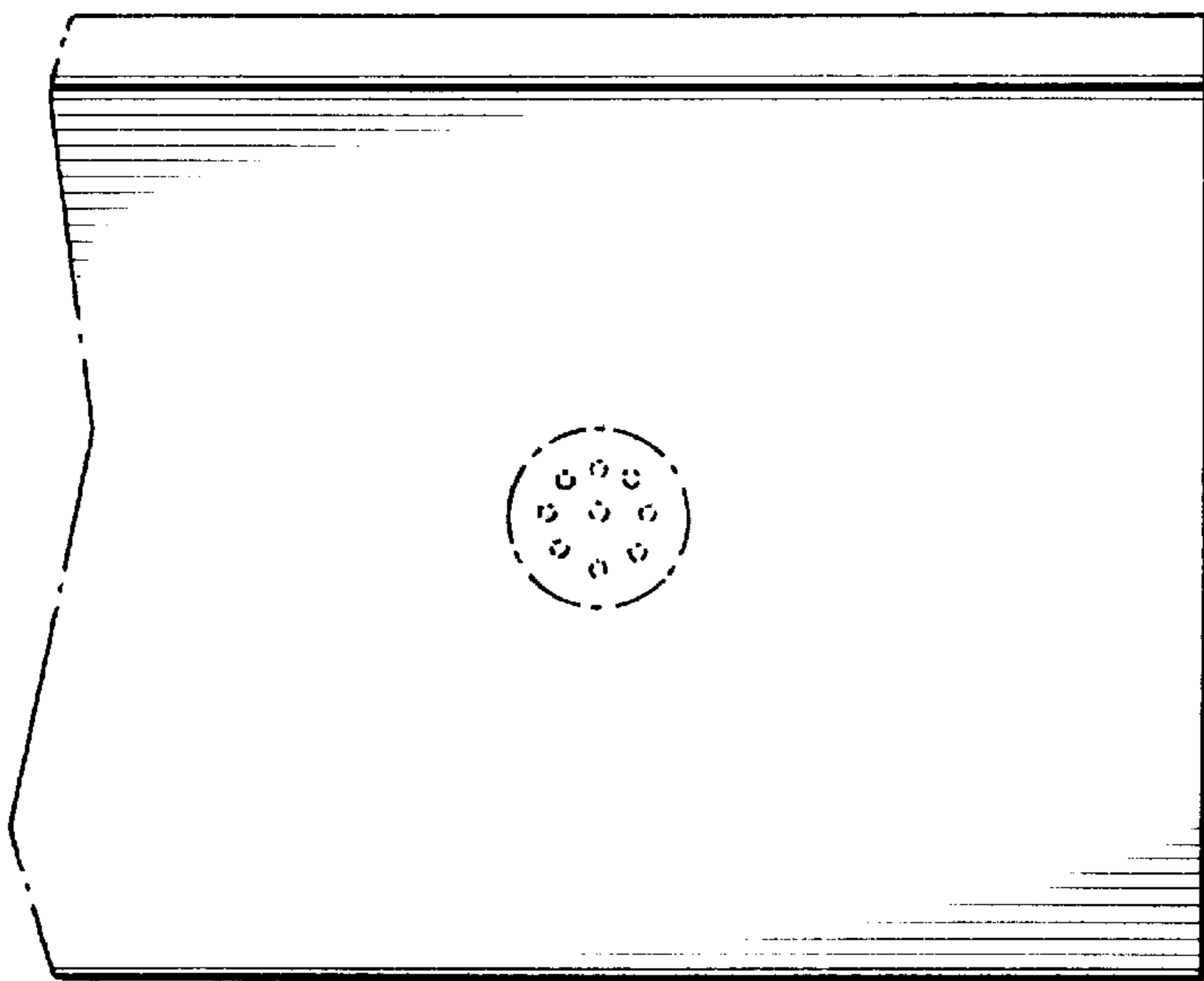
The length of the structural pest control system of the present invention is variable, and, thus, the sides of the structural pest control system as shown in FIGS. 1 and 2 are presented as such.

**1 Claim, 2 Drawing Sheets**





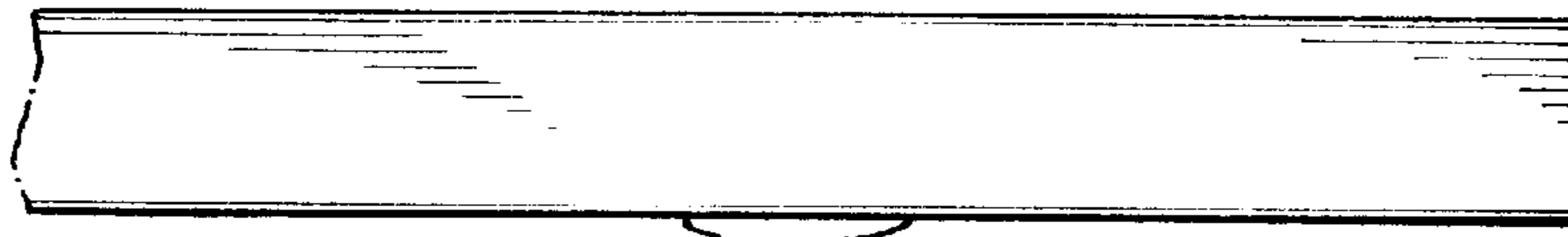
**FIG 1**



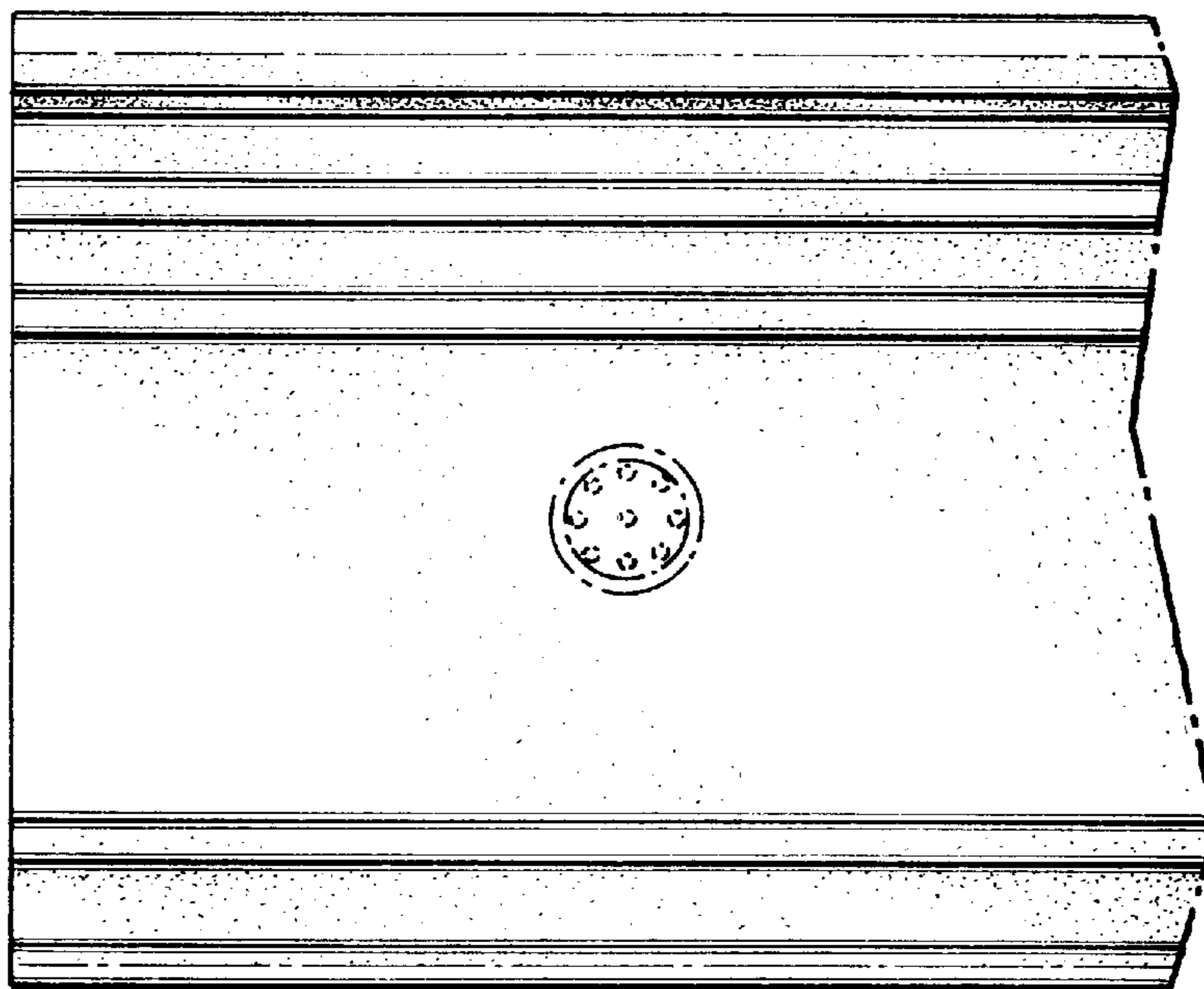
**FIG 2**



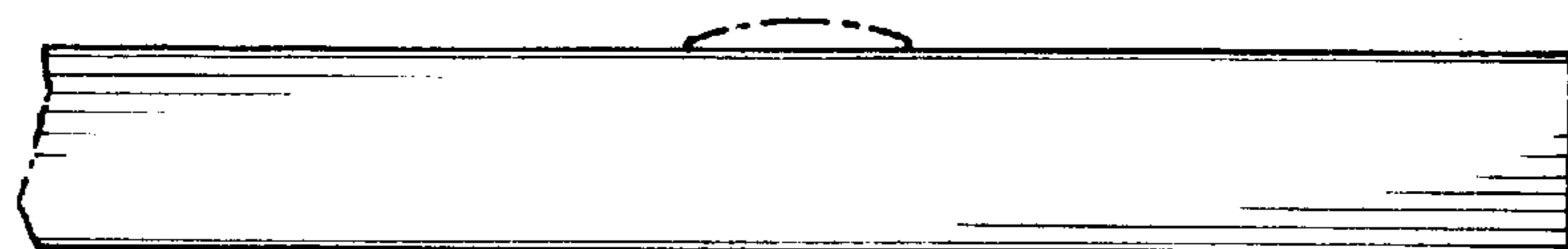
**FIG 3**



**FIG 4**



**FIG 5**



**FIG 6**