



US00D468443S

(12) **United States Design Patent**
Michael et al.

(10) **Patent No.:** **US D468,443 S**
(45) **Date of Patent:** **** Jan. 7, 2003**

(54) **TOP OR BOTTOM RAIL FOR OUTDOOR RAILING SYSTEMS**

(75) Inventors: **Steven W. Michael**, Greer, SC (US);
John M. Pastore, Greer, SC (US);
James R. Hall, Jr., Lyman, SC (US)

(73) Assignee: **Spartanburg Forest Products, Inc.**,
Spartanburg, SC (US)

(**) Term: **14 Years**

(21) Appl. No.: **29/131,316**

(22) Filed: **Oct. 18, 2000**

Related U.S. Application Data

(63) Continuation-in-part of application No. 29/113,620, filed on
Nov. 9, 1999.

(30) **Foreign Application Priority Data**

May 9, 2000 (CA) 2000-1173

(51) **LOC (7) Cl.** **25-00**

(52) **U.S. Cl.** **D25/38**

(58) **Field of Search** D25/38, 42, 43,
D25/126; 256/59, 65

(56) **References Cited**

U.S. PATENT DOCUMENTS

172,613 A 1/1876 Crowell
206,384 A 7/1878 Young
300,115 A 6/1884 Obert

(List continued on next page.)

FOREIGN PATENT DOCUMENTS

DE 2026869 12/1971
DK 92088 10/1961
GB 1970 of 1870
GB 393697 2/1932

OTHER PUBLICATIONS

Drawing of admitted prior art Rail Cap Device, undated.

Primary Examiner—Doris Clark

(74) *Attorney, Agent, or Firm*—Dority & Manning, PA

(57) **CLAIM**

The ornamental design of a top or bottom rail for outdoor railing systems, substantially as shown and described.

DESCRIPTION

FIG. 1 is a top view of a top or bottom rail for outdoor railing systems in accordance with the invention.

FIG. 2 is a side view of the top or bottom rail as illustrated in FIG. 1.

FIG. 3 is a view of the inwardly disposed face of the top or bottom rail illustrated in FIG. 1.

FIG. 4 is an end view of the top or bottom rail illustrated in FIG. 1.

FIG. 5 is an enlarged end view of the top or bottom rail illustrated in FIG. 1.

FIG. 6 is a perspective view of the top or bottom rail illustrated in FIG. 1 particularly illustrating the profile and inwardly disposed face thereof.

FIG. 7 is a perspective view of the top or bottom rail illustrated in FIG. 1 particularly illustrating the profile and upper surface thereof.

FIG. 8 is a top view of a second embodiment of a top or bottom rail for outdoor railing systems in accordance with the invention.

FIG. 9 is a side view of the top or bottom rail as illustrated in FIG. 8.

FIG. 10 is a view of the inwardly disposed face of the top or bottom rail illustrated in FIG. 8.

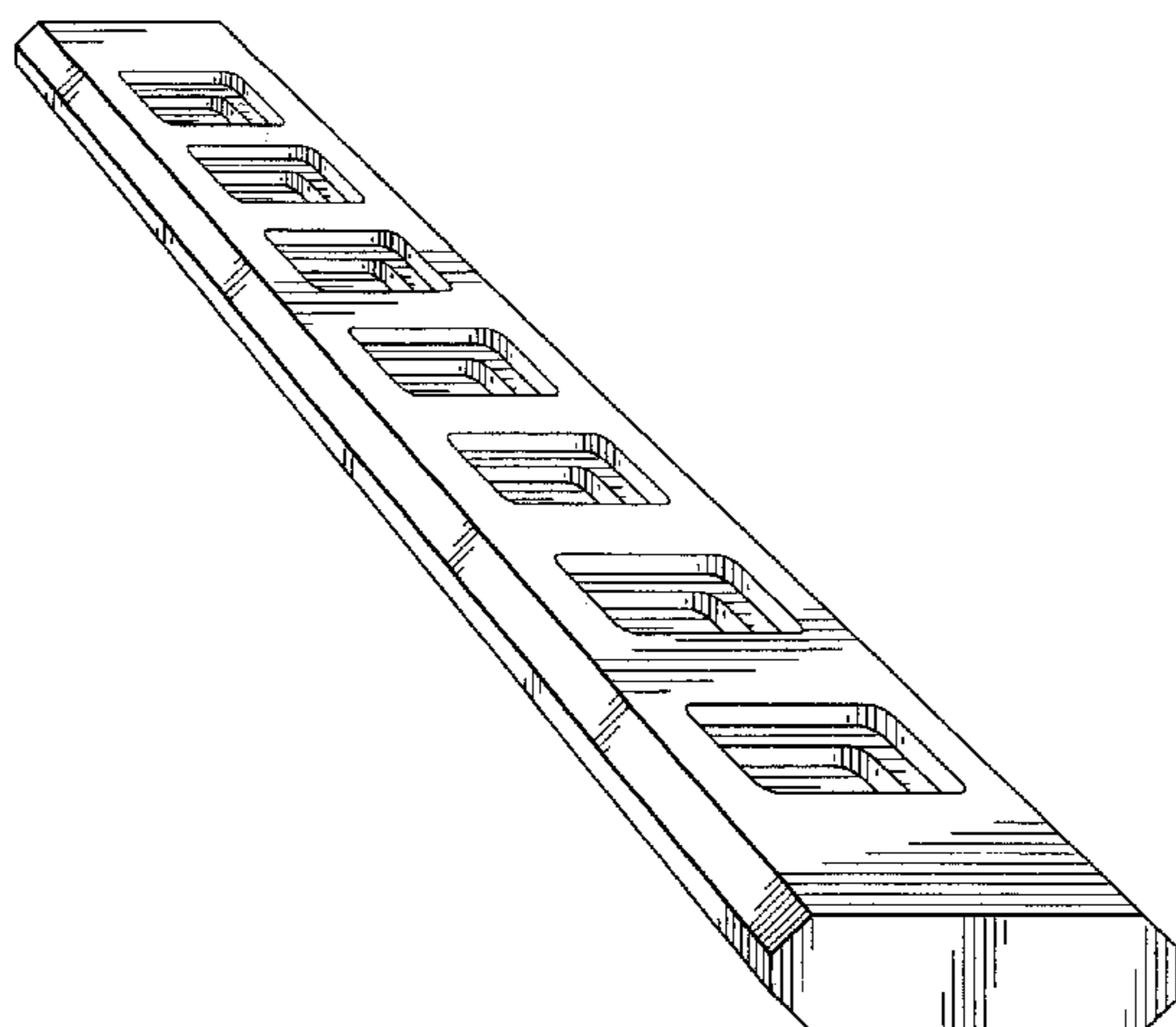
FIG. 11 is an end view of the top or bottom rail illustrated in FIG. 8.

FIG. 12 is an enlarged end view of the top or bottom rail illustrated in FIG. 8.

FIG. 13 is a perspective view of the top or bottom rail illustrated in FIG. 8 particularly illustrating the profile and inwardly disposed face thereof; and,

FIG. 14 is a perspective view of the top or bottom rail illustrated in FIG. 8 particularly illustrating the profile and upper surface thereof.

1 Claim, 6 Drawing Sheets



US D468,443 S

Page 2

U.S. PATENT DOCUMENTS

341,969 A	5/1886	Walker	4,421,302 A	12/1983	Grimm et al.
1,353,073 A	9/1920	Schivins	4,523,419 A	6/1985	Palacio et al.
1,691,663 A	11/1928	Morris	4,533,121 A	8/1985	Basey
1,871,594 A	8/1932	Duchscher	5,035,401 A	7/1991	Solter
2,588,147 A	3/1952	Morris	5,056,283 A	10/1991	Sapinski
2,918,261 A	12/1959	Bergeron	D344,142 S	2/1994	Bass
3,218,036 A	11/1965	Kozub	5,572,845 A	11/1996	DeSouza
3,668,828 A	6/1972	Nicholas et al.	5,625,987 A	5/1997	Zamerovsky
3,975,000 A	8/1976	Sado	5,695,175 A	12/1997	Hawkins
4,027,855 A	6/1977	Lauzier	5,964,072 A	10/1999	Rasmussen
4,035,978 A	7/1977	Bajorek et al.	D421,654 S	3/2000	Michael et al.
4,408,749 A	10/1983	Zieg	6,164,629 A	12/2000	Michael et al.

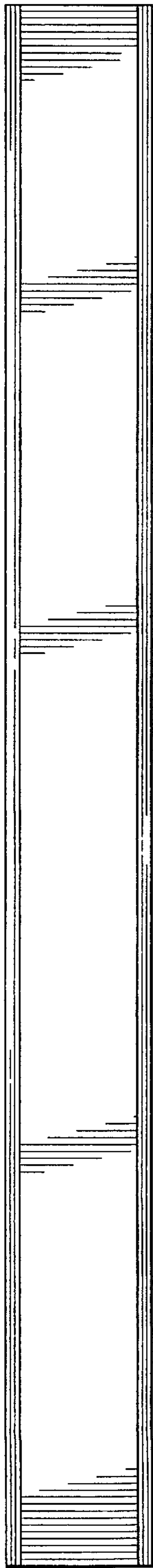


FIG. 1.

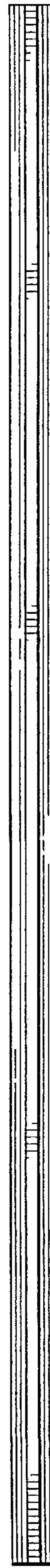


FIG. 2.

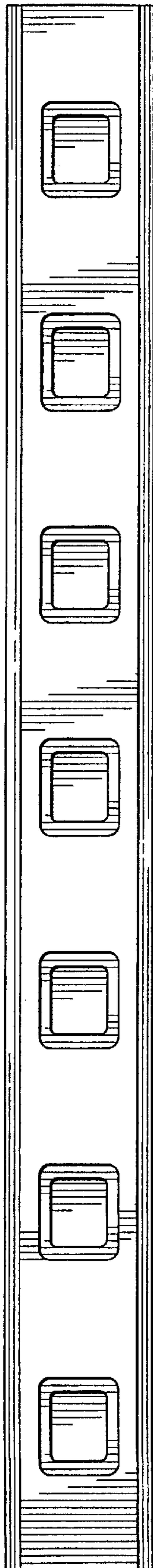


FIG. 3.



FIG. 4.

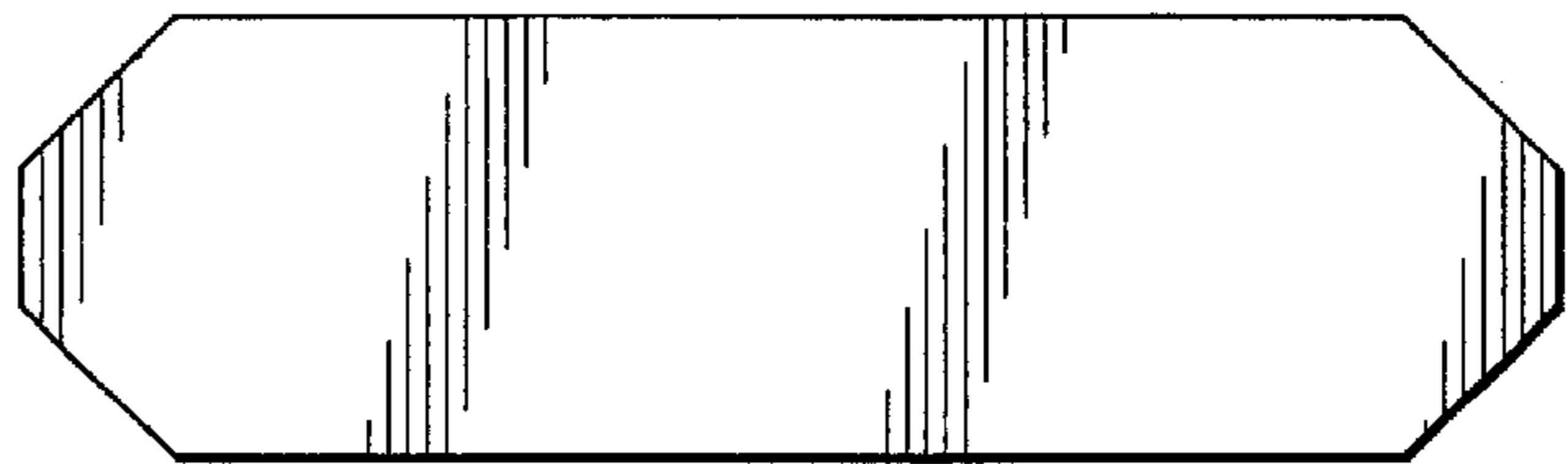


FIG. 5.

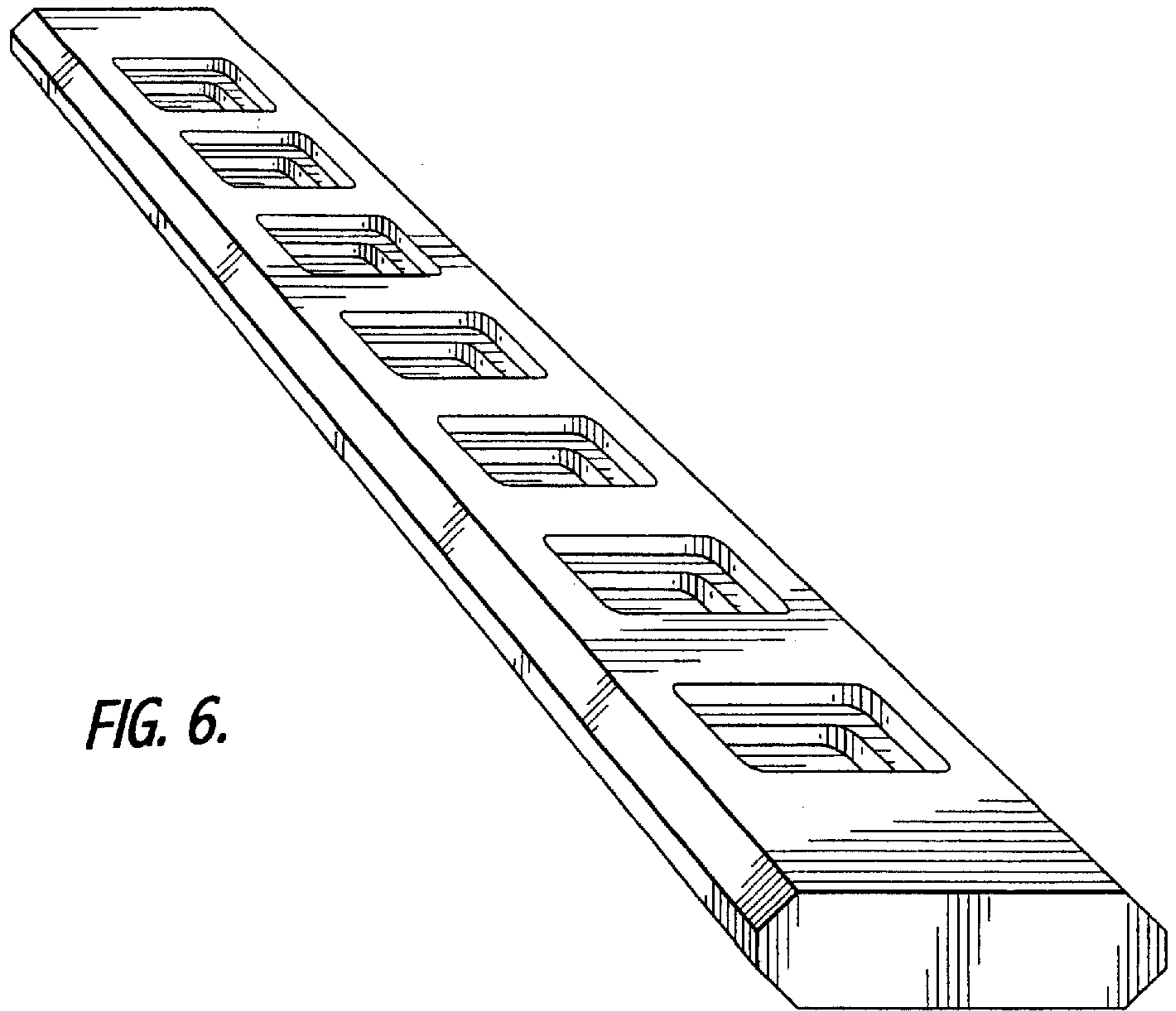


FIG. 6.

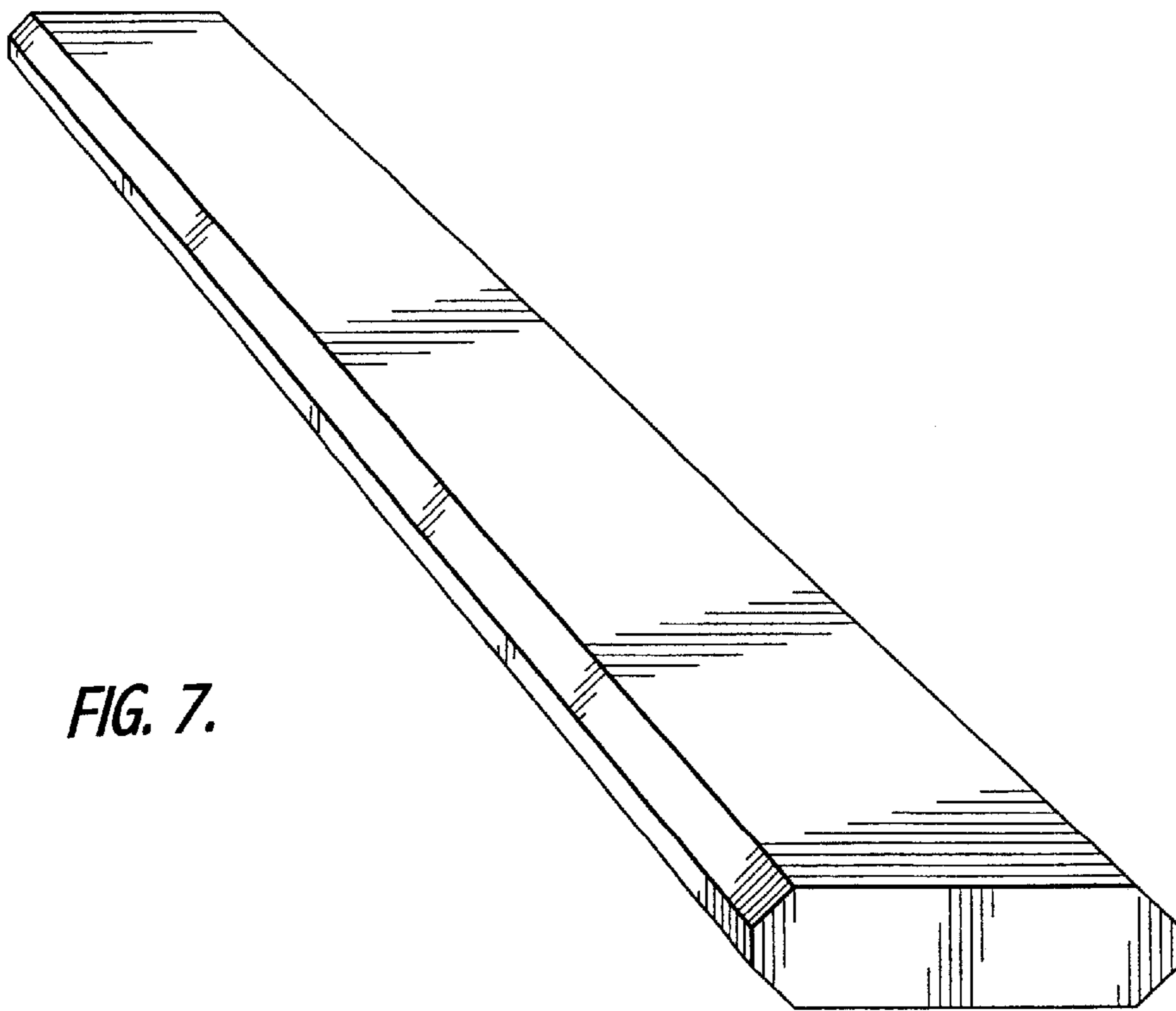


FIG. 7.

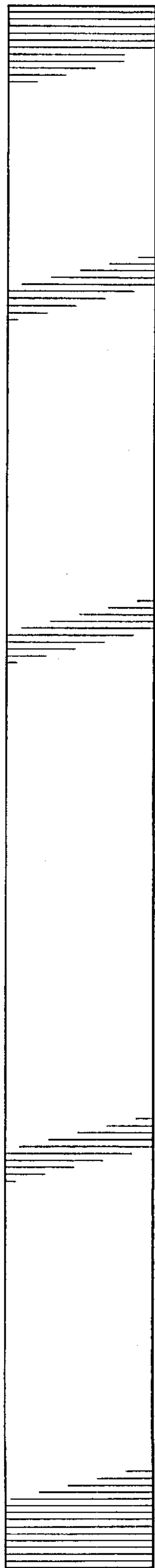


FIG. 8.



FIG. 9.

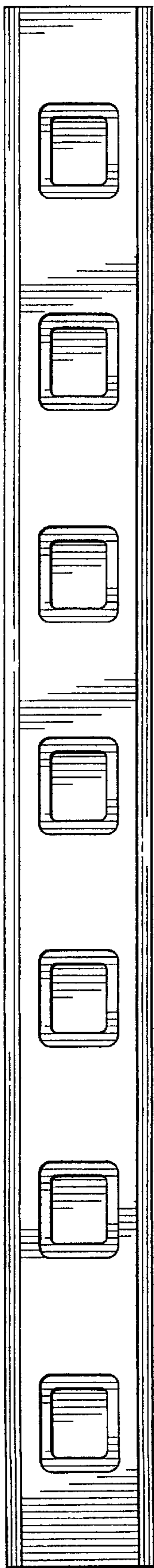


FIG. 12



FIG. 10.

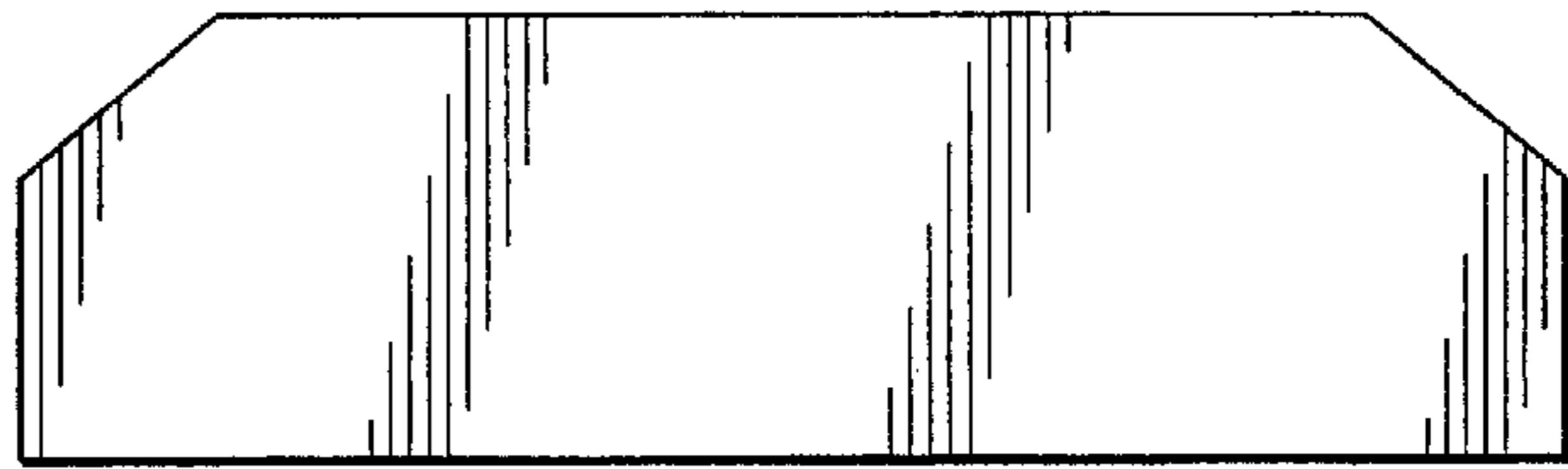


FIG. 11.

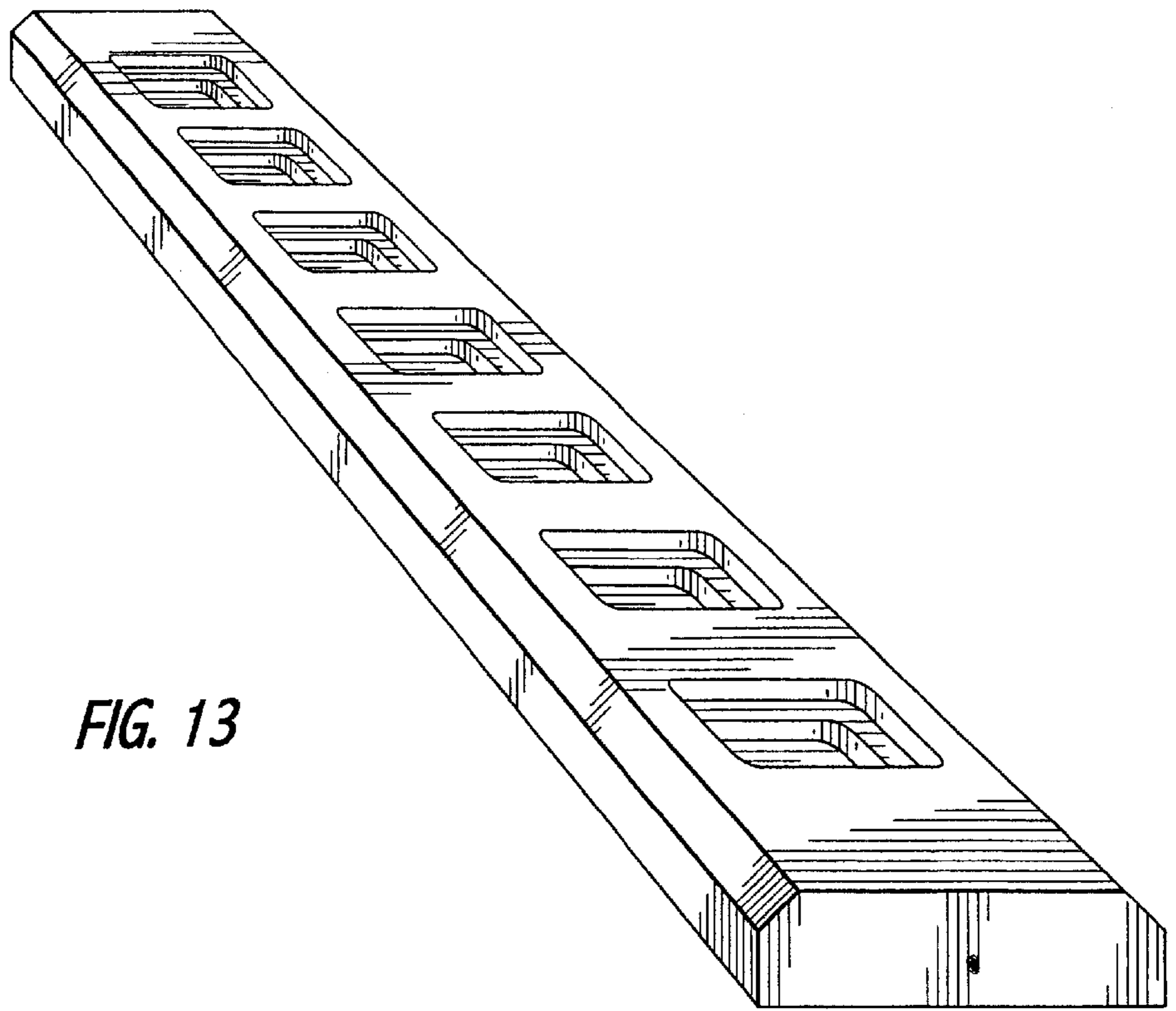


FIG. 13

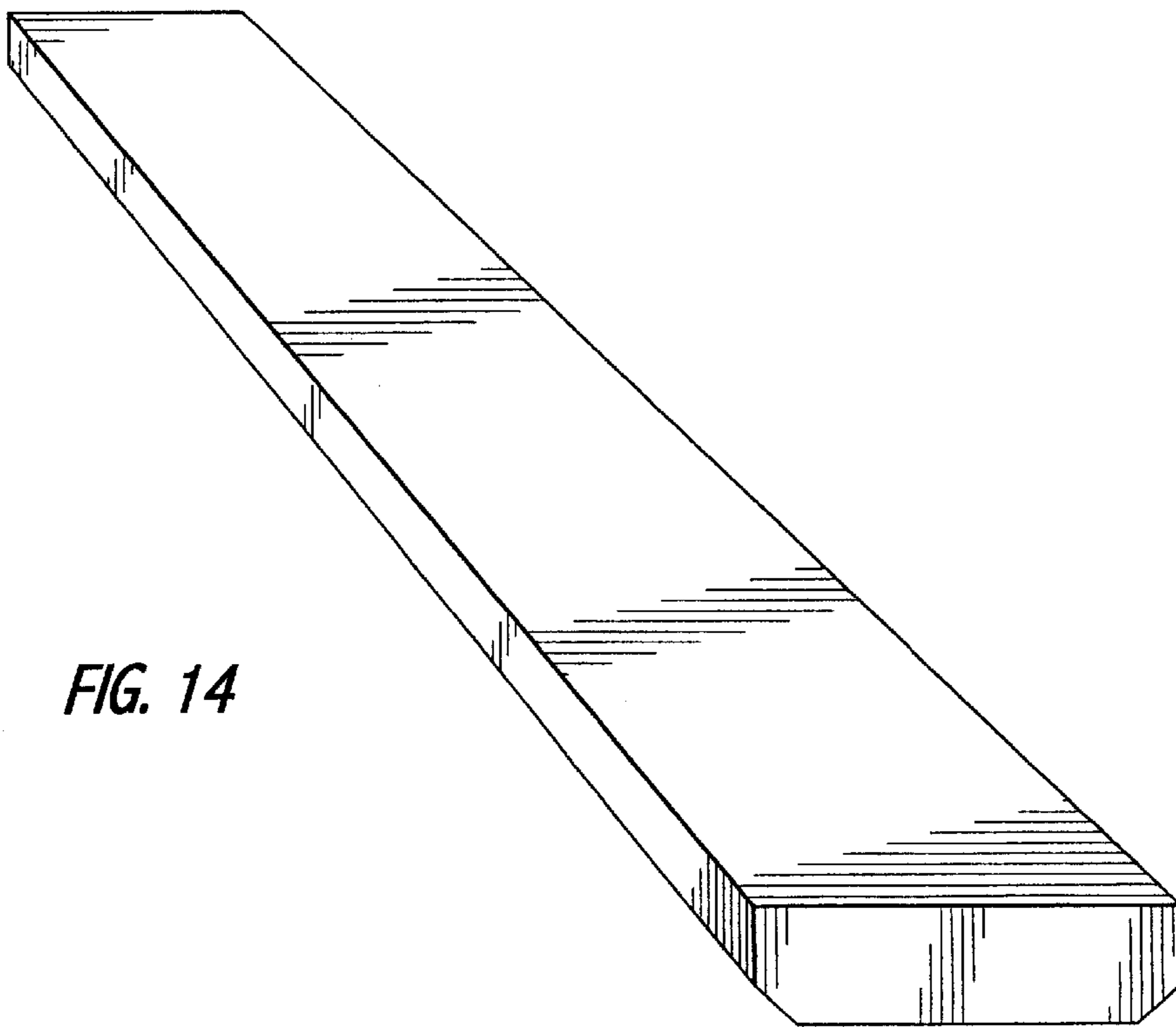


FIG. 14