



US00D468438S

(12) **United States Design Patent**  
**Wong**

(10) **Patent No.:** **US D468,438 S**

(45) **Date of Patent:** **\*\* Jan. 7, 2003**

(54) **UV STERILIZATION LAMP**

6,071,473 A \* 6/2000 Darwin ..... 422/186.3  
6,402,964 B1 \* 6/2002 Schmid ..... 210/748

(76) Inventor: **Tommy Chi-Kin Wong**, Rm. 1901,  
Win Century Centre 2A, Mongkok Rd.,  
Kowloon (HK)

\* cited by examiner

(\*\*) Term: **14 Years**

*Primary Examiner*—Ian Simmons  
(74) *Attorney, Agent, or Firm*—Rabin & Berdo, P.C.

(21) Appl. No.: **29/150,233**

(57) **CLAIM**

(22) Filed: **Nov. 15, 2001**

The ornamental design for a UV sterilization lamp, as shown and described.

(51) **LOC (7) Cl.** ..... **24-01**

**DESCRIPTION**

(52) **U.S. Cl.** ..... **D24/217**

(58) **Field of Search** ..... D24/217, 108;  
D23/207, 209; D26/1; 422/186.3, 24; 210/748;  
250/432 R, 435

FIG. 1 is a perspective view of a UV sterilization lamp showing my new design;

FIG. 2 is a front elevation view thereof;

FIG. 3 is a rear elevation view thereof;

FIG. 4 is a left side elevation view thereof;

FIG. 5 is a right side elevation view thereof;

FIG. 6 is a top plan view thereof; and,

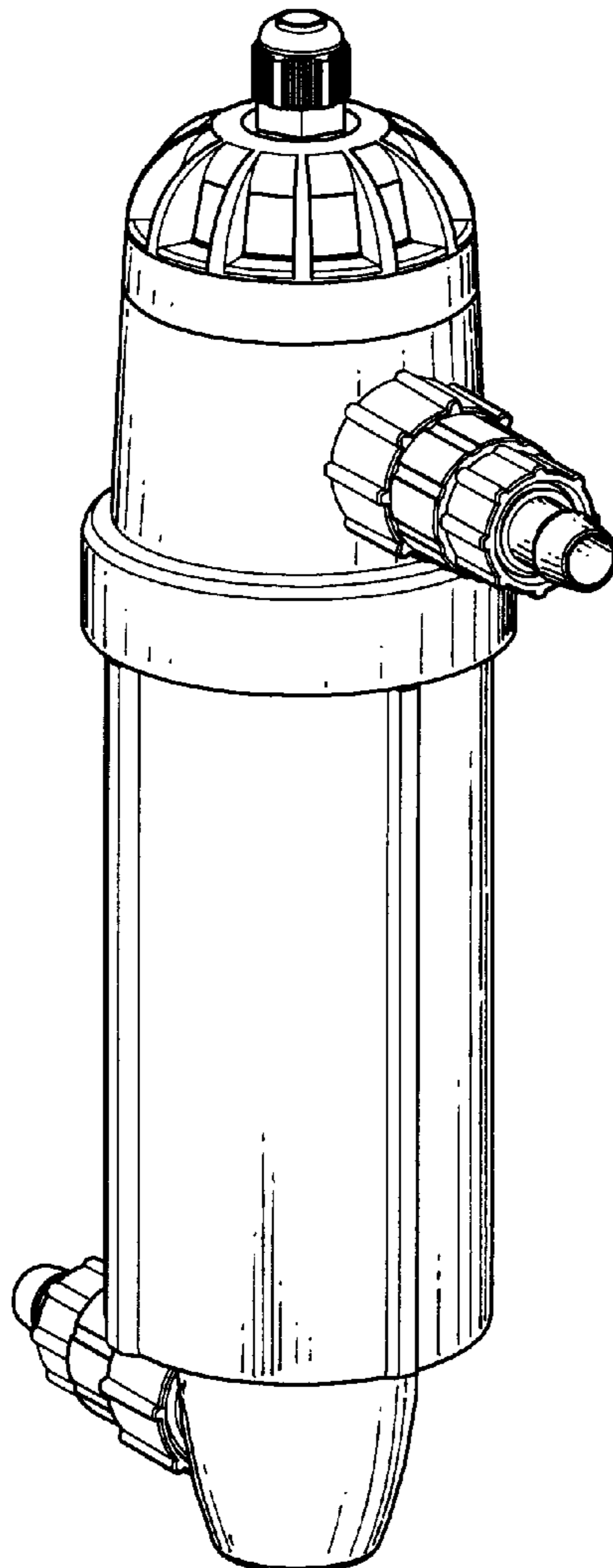
FIG. 7 is a bottom plan view thereof.

(56) **References Cited**

**U.S. PATENT DOCUMENTS**

5,290,439 A \* 3/1994 Buchwald ..... 422/186.3  
5,393,419 A \* 2/1995 Tiede et al. .... 422/186.3

**1 Claim, 4 Drawing Sheets**



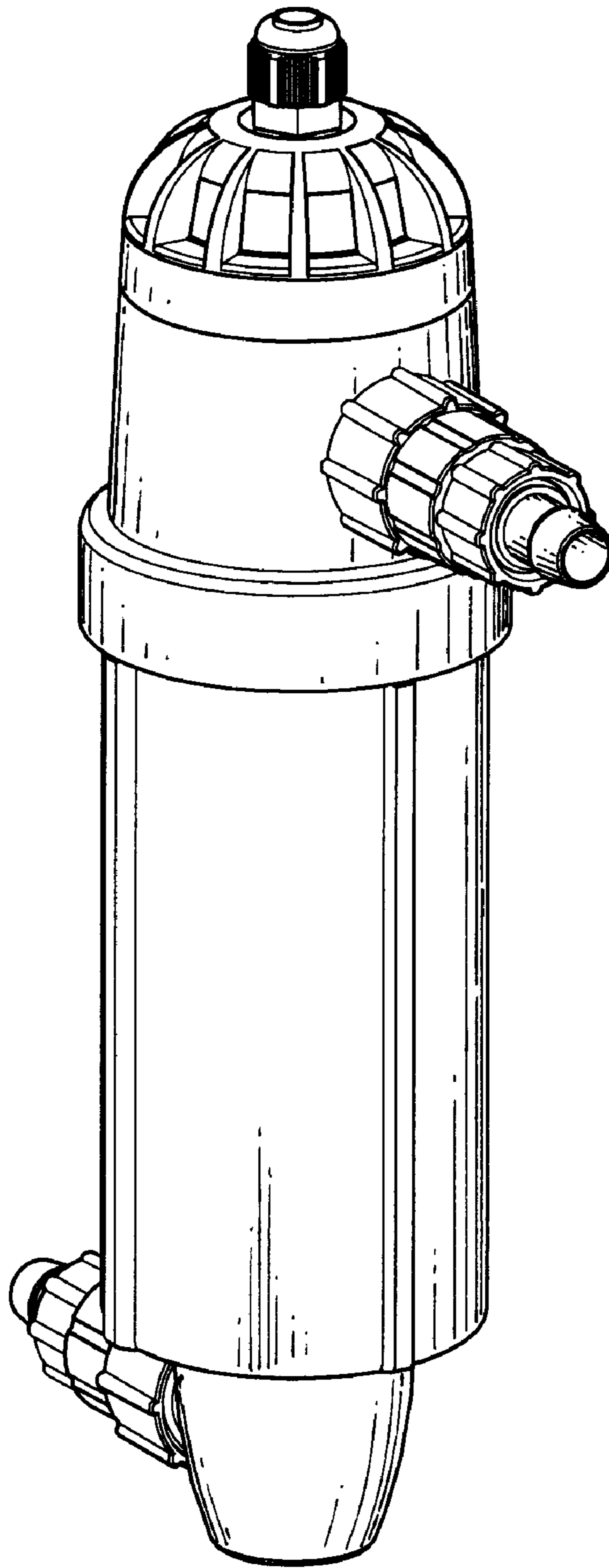


Fig.1

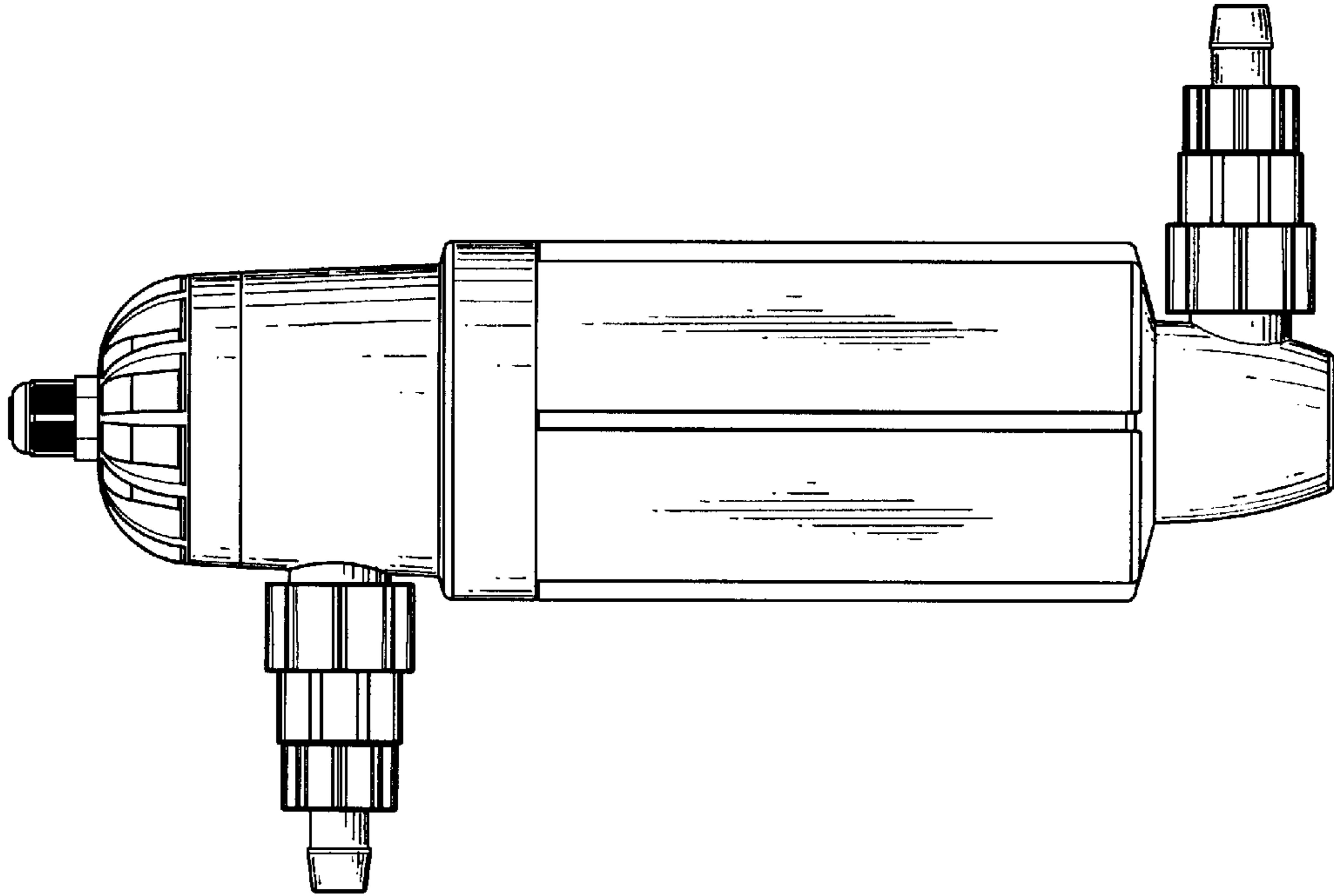


Fig. 2

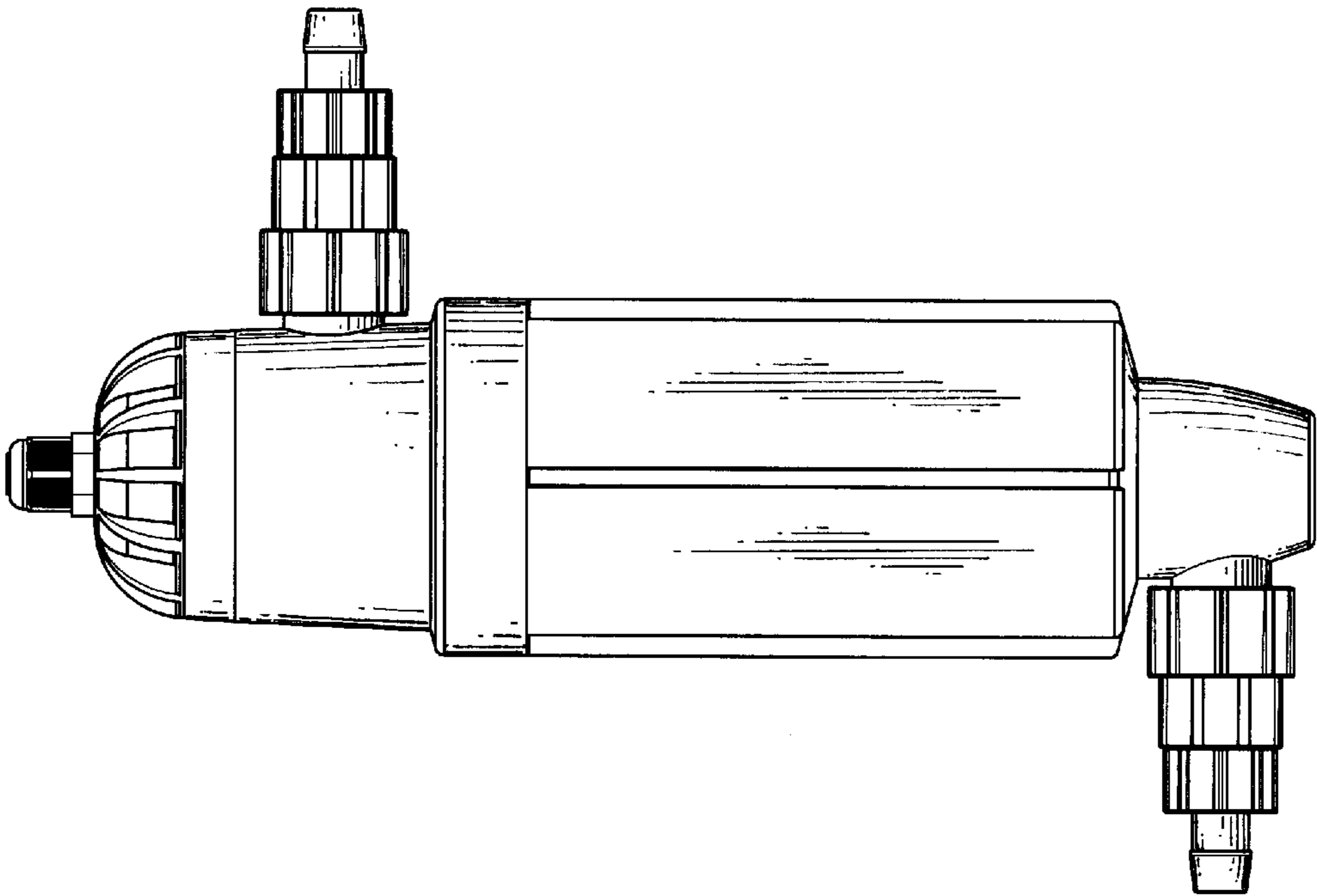


Fig. 3

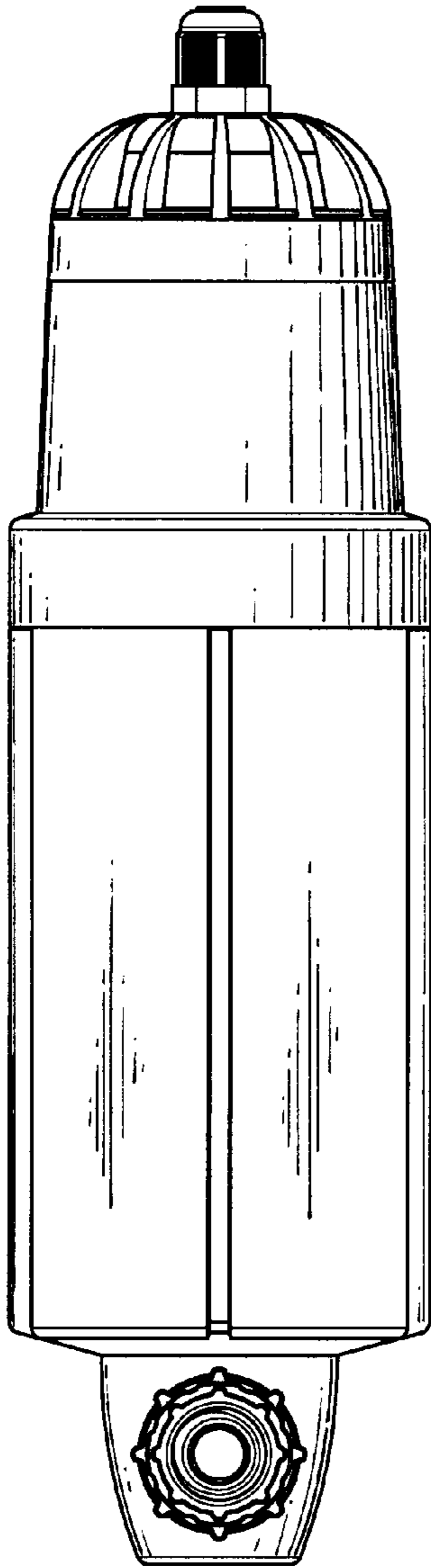


Fig.4

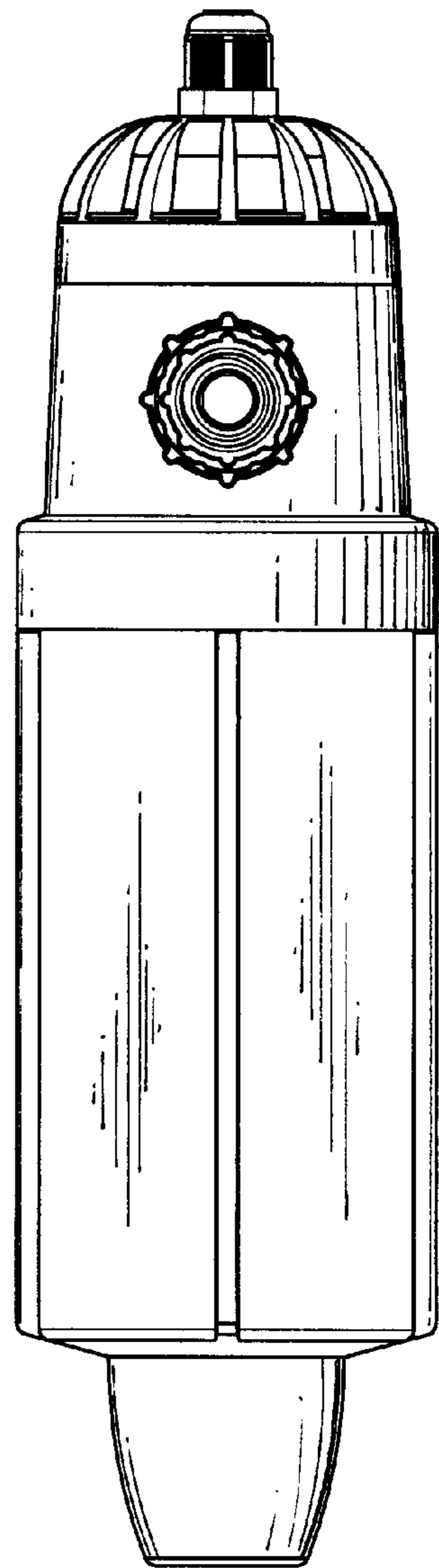


Fig.5

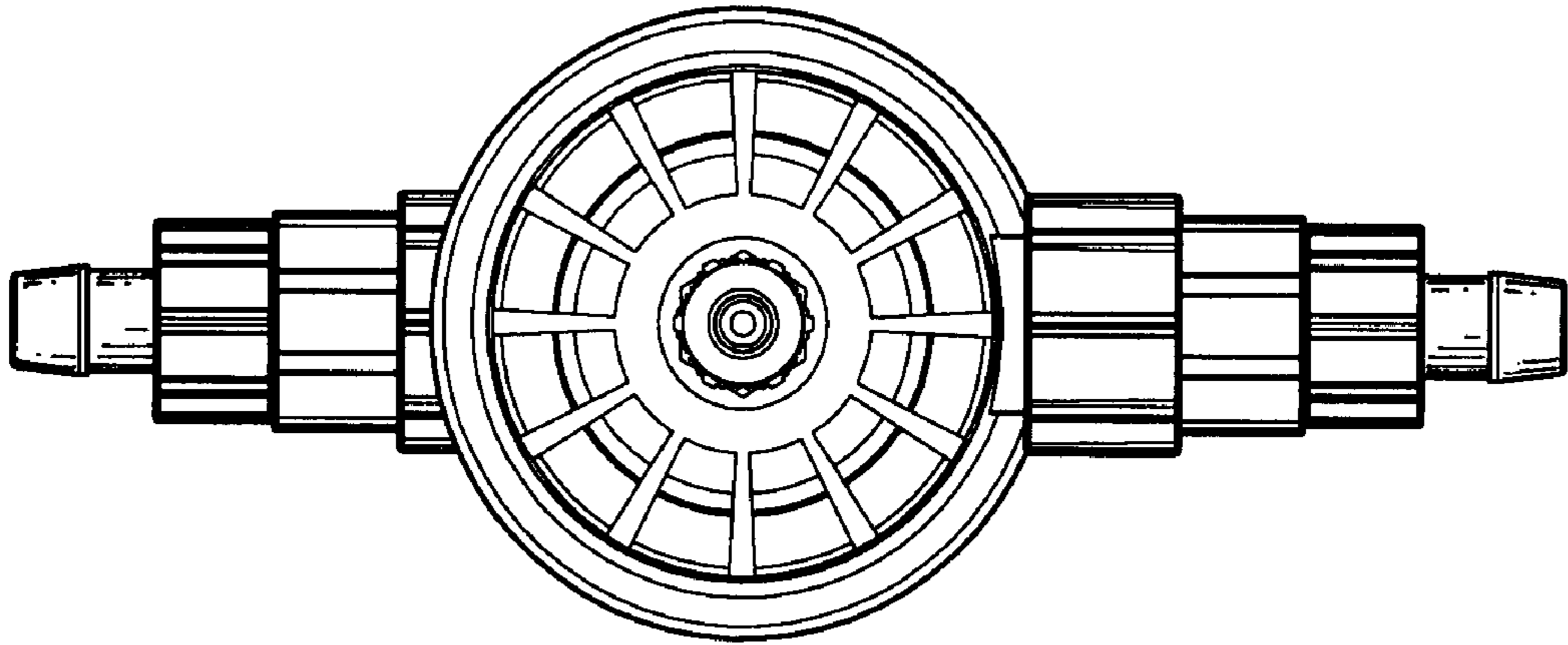


Fig.6

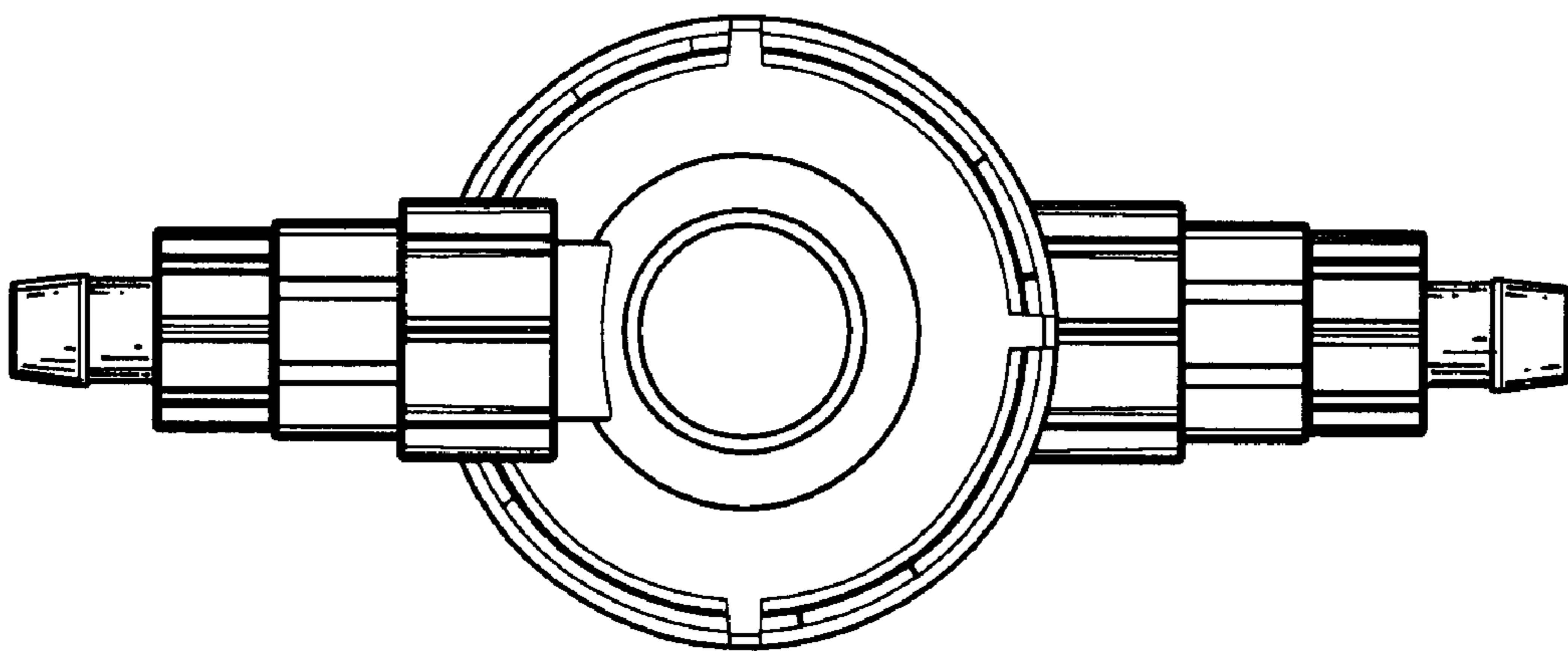


Fig.7