



US00D468437S

(12) **United States Design Patent**
McMenamy et al.

(10) **Patent No.:** **US D468,437 S**

(45) **Date of Patent:** **** Jan. 7, 2003**

(54) **TEST PLATFORM**

(75) Inventors: **Jim McMenamy**, Carlsbad, CA (US);
James Feng Lin, Hongzhou (CN)

(73) Assignee: **Acon Laboratories, Inc.**, San Diego,
CA (US)

(**) Term: **14 Years**

(21) Appl. No.: **29/133,169**

(22) Filed: **Nov. 21, 2000**

(51) **LOC (7) Cl.** **24-02**

(52) **U.S. Cl.** **D24/216; D24/223; D24/225**

(58) **Field of Search** D24/225, 223,
D24/210, 224; 422/58, 50, 55, 82.08, 102,
82.01, 87, 104, 59, 60; 435/287.7, 805,
301.5; D10/81

(56) **References Cited**

U.S. PATENT DOCUMENTS

3,420,205	A	1/1969	Morison
4,233,029	A	11/1980	Columbus
4,366,241	A	12/1982	Tom et al.
4,426,451	A	1/1984	Columbus
4,673,657	A	6/1987	Christian

(List continued on next page.)

FOREIGN PATENT DOCUMENTS

WO	0 052 328	B1	11/1981
WO	0 052 328	A2	11/1981
WO	0 088 636	B1	3/1983
WO	0 088 636	A2	3/1983
WO	0 183 442	A2	11/1985
WO	0 183 442	B1	11/1985
WO	WO 86/02165		4/1986
WO	0 291 194	B1	4/1988
WO	0 291 194	A1	4/1988
WO	WO 88/08534		11/1988

OTHER PUBLICATIONS

Acon Laboratories Sales sheet Oct. 7, 1999.
www.aconlab.com
www.aconlab.com/ads.html—LabMedica Magazine, p. 14,
Jul./Aug.; p. 9, Sep/Oct., 1999; and p. 23, Nov./Dec., 1999
IVD Technology Magazine, p.45, Nov./Dec., 1999 IVD
Technology Magazine, p.17, Mar./Apr., 2000 Recent Bro-
chures.

(List continued on next page.)

Primary Examiner—Ian Simmons

(74) *Attorney, Agent, or Firm*—David R Peterson &
Associates; David Preston

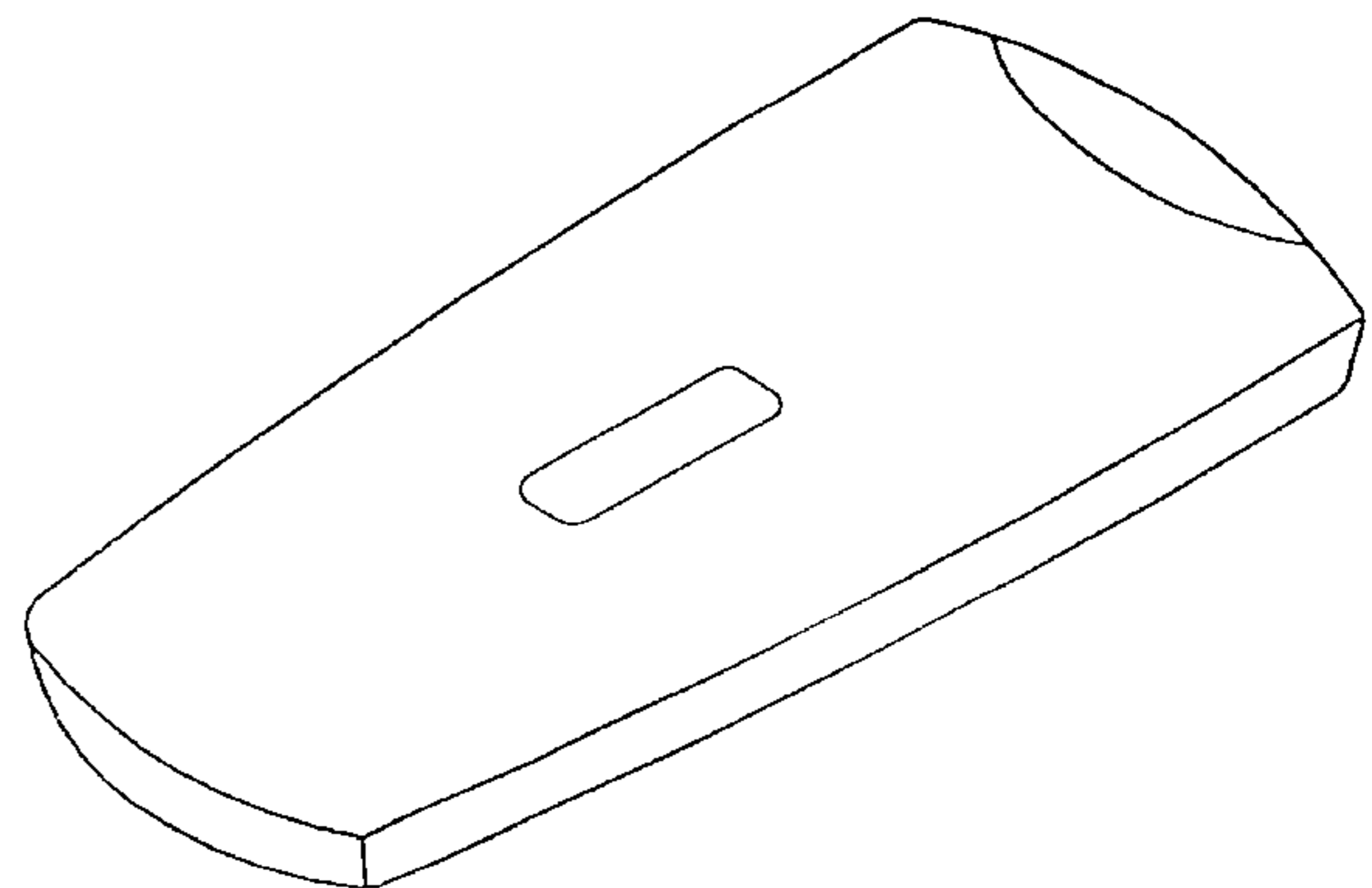
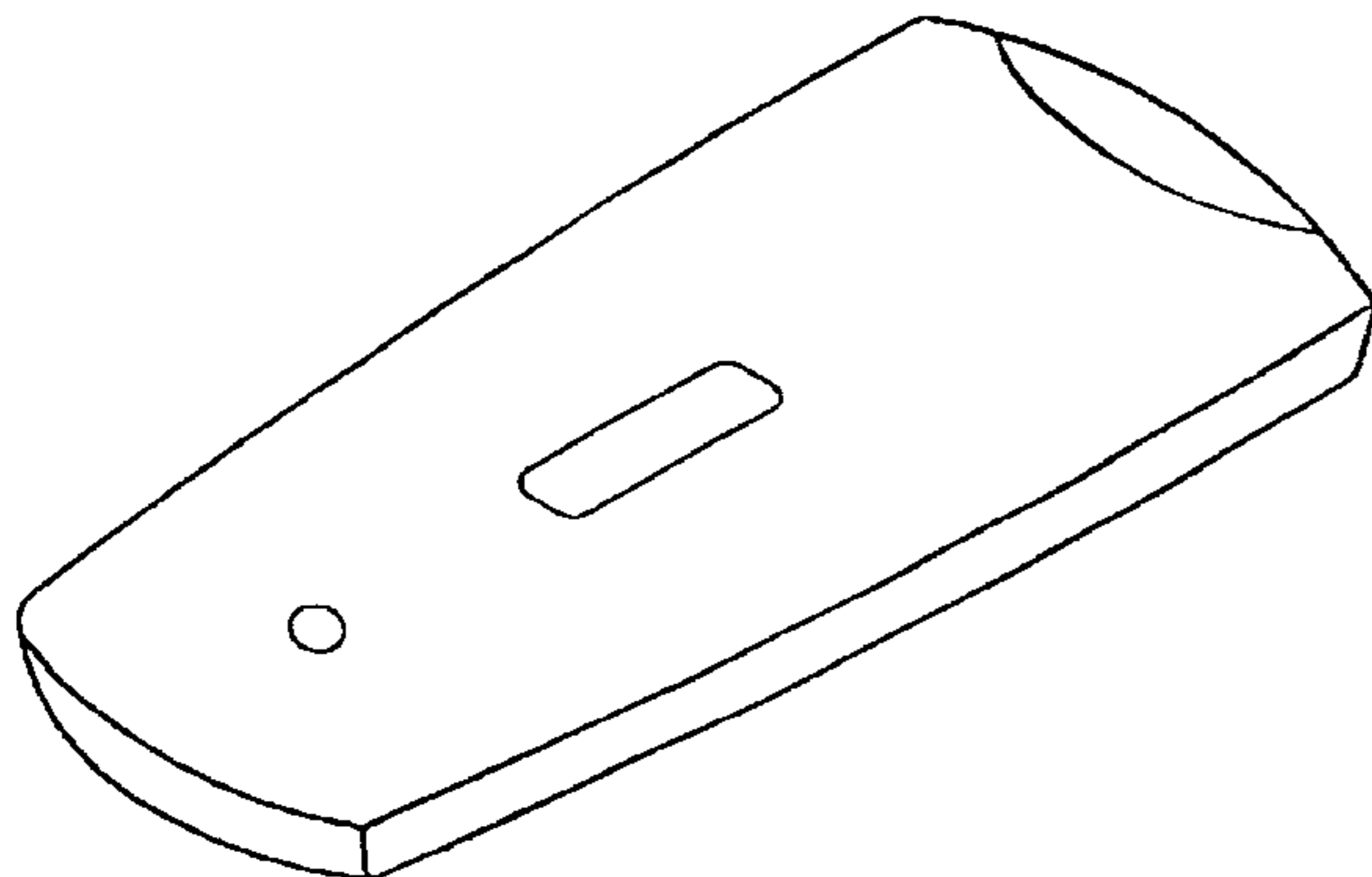
(57) **CLAIM**

The ornamental design for a test platform, as shown and
described.

DESCRIPTION

FIG. 1 is a top plan view of a test platform showing our new
design;
FIG. 2 is a right side view thereof;
FIG. 3 is a left side view thereof;
FIG. 4 is an end view thereof;
FIG. 5 is an end view thereof, opposite that shown in FIG.
4;
FIG. 6 is a bottom plan view thereof;
FIG. 7 is a perspective view thereof, taken from a top, right
and front;
FIG. 8 is a top plan view of a second embodiment of a test
platform showing our new design;
FIG. 9 is a right side view thereof;
FIG. 10 is a left side view thereof;
FIG. 11 is an end view thereof;
FIG. 12 is an end view thereof, opposite that shown in FIG.
11;
FIG. 13 is a bottom plan view thereof; and,
FIG. 14 is a perspective view thereof, taken from a top, right
and front.

1 Claim, 4 Drawing Sheets



U.S. PATENT DOCUMENTS

4,678,757 A 7/1987 Rapkin et al.
 4,696,797 A 9/1987 Kelton
 4,725,406 A 2/1988 Compton et al.
 D299,744 S * 2/1989 Bauer D24/223
 4,855,240 A 8/1989 Rosenstein et al.
 4,857,453 A * 8/1989 Ullman et al. D24/225
 4,900,663 A 2/1990 Wie et al.
 4,943,522 A 7/1990 Eisinger et al.
 4,956,275 A 9/1990 Zuk et al.
 4,959,324 A 9/1990 Ramel et al.
 4,981,786 A 1/1991 Dafforn et al.
 5,006,474 A 4/1991 Horstman et al.
 5,073,484 A 12/1991 Swanson et al.
 5,075,078 A 12/1991 Osikowicz et al.
 5,079,142 A 1/1992 Coleman et al.
 5,116,576 A 5/1992 Stanley
 5,120,643 A 6/1992 Ching et al.
 5,149,622 A 9/1992 Brown et al.
 5,185,127 A * 2/1993 Vonk 422/56
 5,202,268 A 4/1993 Kuhn et al.
 5,238,652 A 8/1993 Sun et al.
 5,252,496 A 10/1993 Kang et al.
 D341,663 S * 11/1993 Coulter D24/225
 5,354,692 A 10/1994 Yang et al.
 5,356,782 A 10/1994 Moorman et al.
 5,399,486 A 3/1995 Cathey et al.
 5,415,994 A 5/1995 Imrich et al.
 5,416,000 A 5/1995 Allen et al.
 5,435,970 A 7/1995 Mamenta et al.
 D361,842 S 8/1995 Nazareth et al.
 5,504,013 A 4/1996 Senior
 D369,868 S 5/1996 Nazareth et al.
 5,602,040 A 2/1997 May et al.
 5,622,871 A 4/1997 May et al.
 5,654,162 A 8/1997 Guire et al.
 5,656,503 A 8/1997 May et al.
 D388,167 S 12/1997 Caradonna et al.
 D390,667 S 2/1998 Nazareth
 5,728,587 A 3/1998 Kang et al.
 5,739,041 A 4/1998 Nazareth et al.
 D395,708 S * 6/1998 Shartle et al. D24/216

5,770,460 A 6/1998 Pawlak et al.
 D404,812 S 1/1999 Cipkowski
 5,877,028 A 3/1999 Chandler et al.
 5,904,898 A 5/1999 Markart
 5,922,615 A 7/1999 Nowakowski et al.
 5,939,252 A 8/1999 Lennon et al.
 5,939,331 A 8/1999 Burd et al.
 5,976,895 A * 11/1999 Cipkowski 422/102
 6,020,147 A 2/2000 Guire et al.
 6,087,184 A 7/2000 Magginetti et al.
 D430,014 S 8/2000 Hackmeister
 D430,303 S * 8/2000 Cipkowski D24/225
 6,248,598 B1 * 6/2001 Bogema 422/57

OTHER PUBLICATIONS

www.aconlab.com/ad1.html—LabMedica Magazine, p.14, Jul./Aug.; p. 9, Sep./Oct., 1999; and p.23, Nov./Dec., 1999.
 www.aconlab.com/ad2.html—IVD Technology Magazine, p.45, Nov./Dec., 1999.
 www.aconlab.com/ad4.html—IVD Technology Magazine, p.17, Mar./Apr., 2000.
 www.aconlab.com/oem.html—Products list.
 InTec Products, Inc—One step multi-drug screen test.
 “Is he using drugs?”—graphics presented at the Medica Trade show in Deusseldorf, Germany (Nov. 1999).
 “Is he using drugs?”—graphics presented at the PLMA Trade show, in United States (Nov. 1999).
 “Is he using drugs?”—graphics presented at the Arab Health Trade show, Egypt (Jan. 2000).
 “Is he using drugs?”—graphics presented at the Expolabs Trade show, Mexico (Mar. 2000).
 “Is he using drugs?”—Acon Product Sales Sheets (provided in Spanish).
 “Is he using drugs?”—Acon Product Sales Sheets (Jul. 2000).
 www.aconlab.com/ads.html—LabMedica Magazine, Advertisement, inside back cover, Jul./Aug. 2000; and p. 7, Nov./Dec., 2000.

* cited by examiner



FIG. 4



FIG. 2

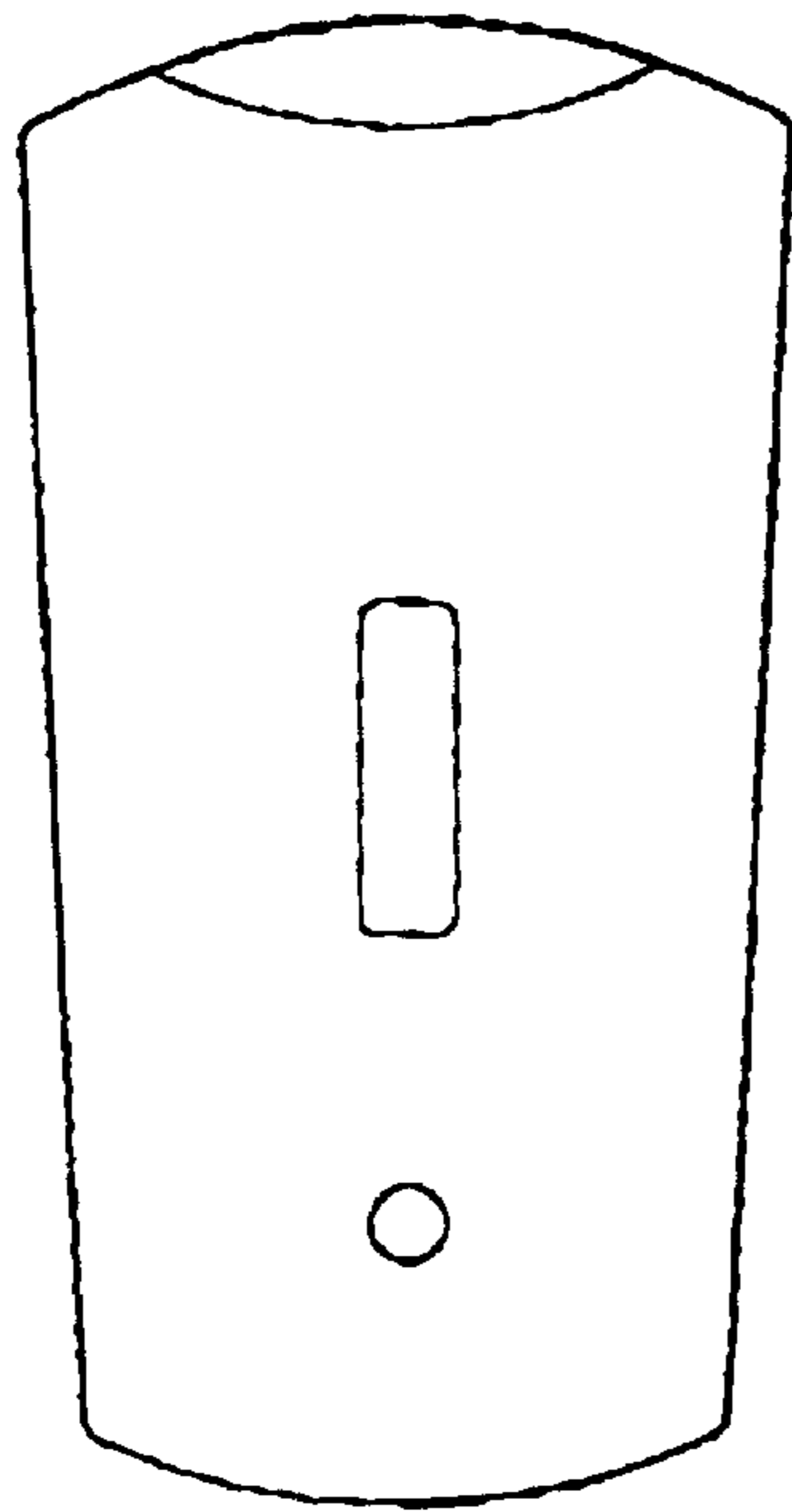


FIG. 1



FIG. 3

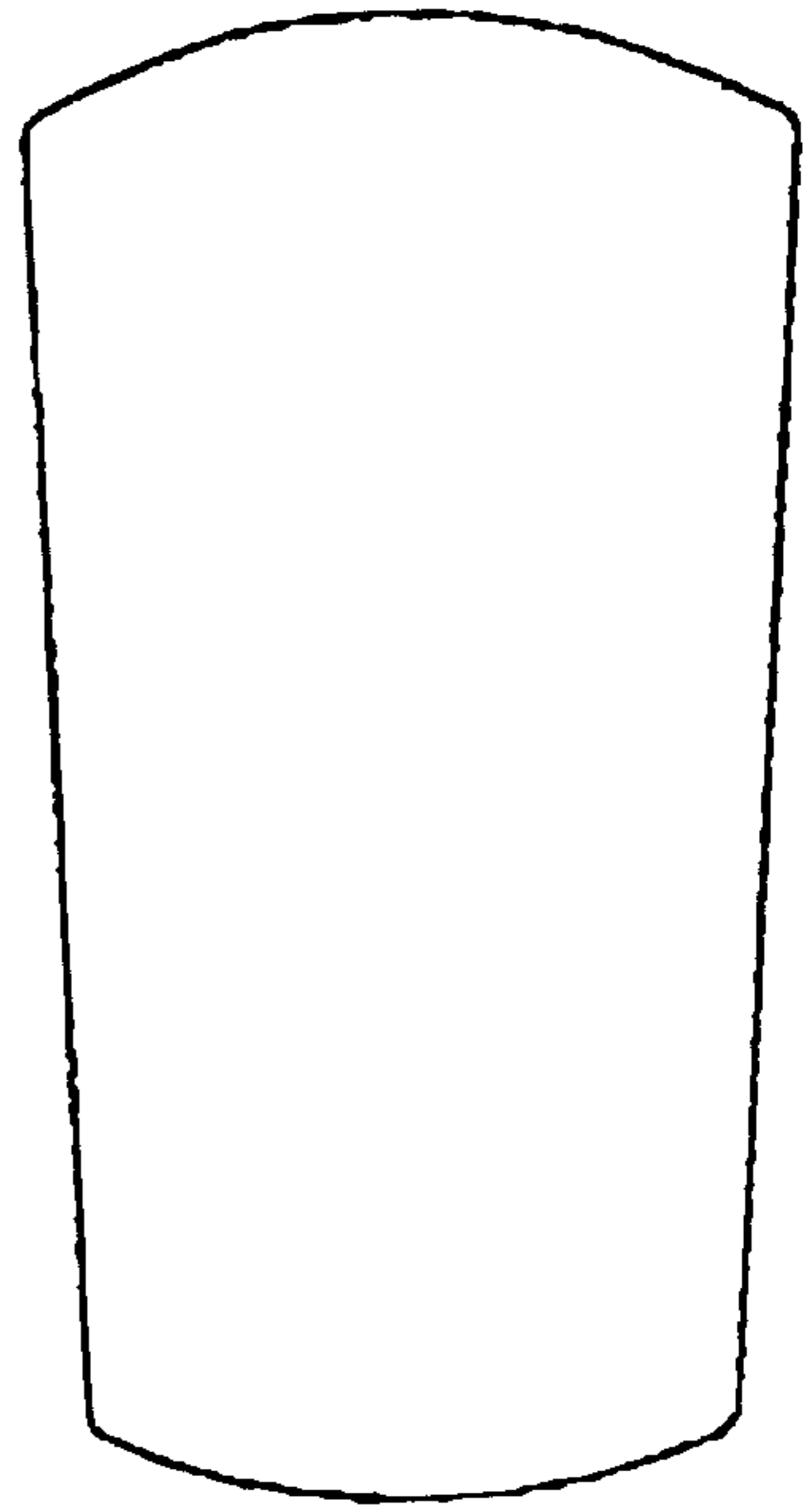


FIG. 6



FIG. 5

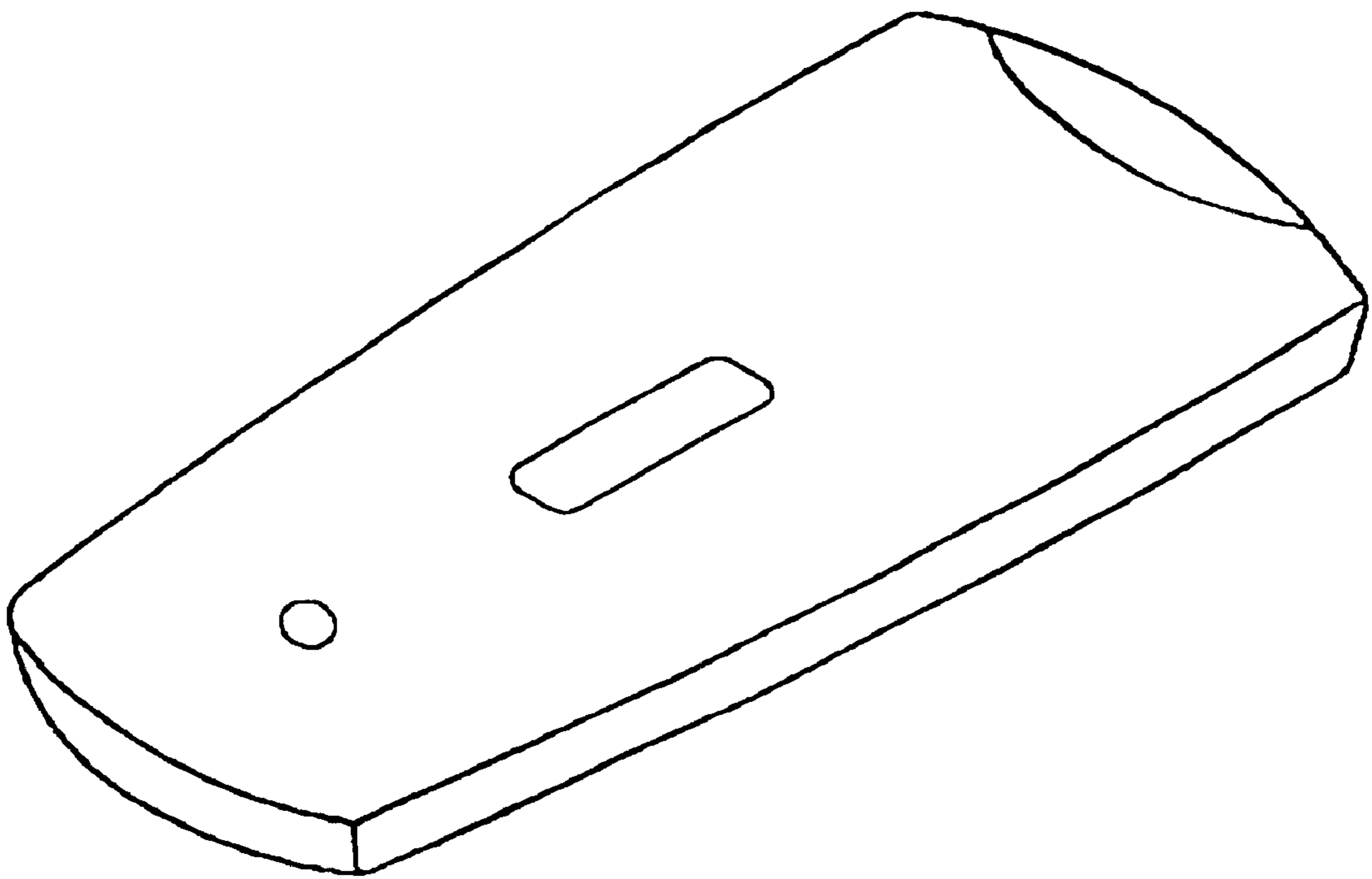


FIG. 7

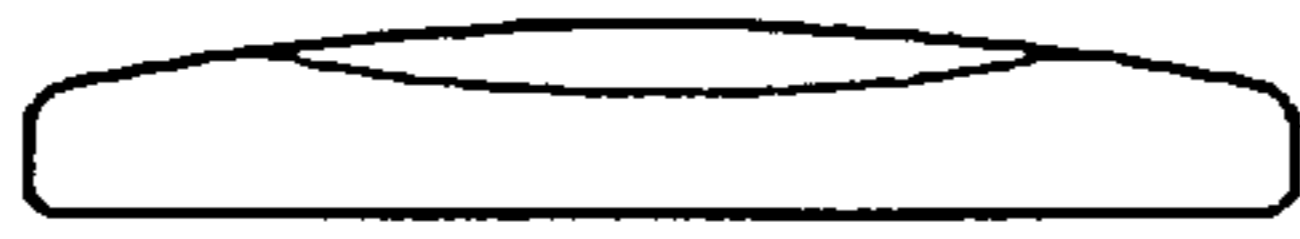


FIG. 11



FIG. 9

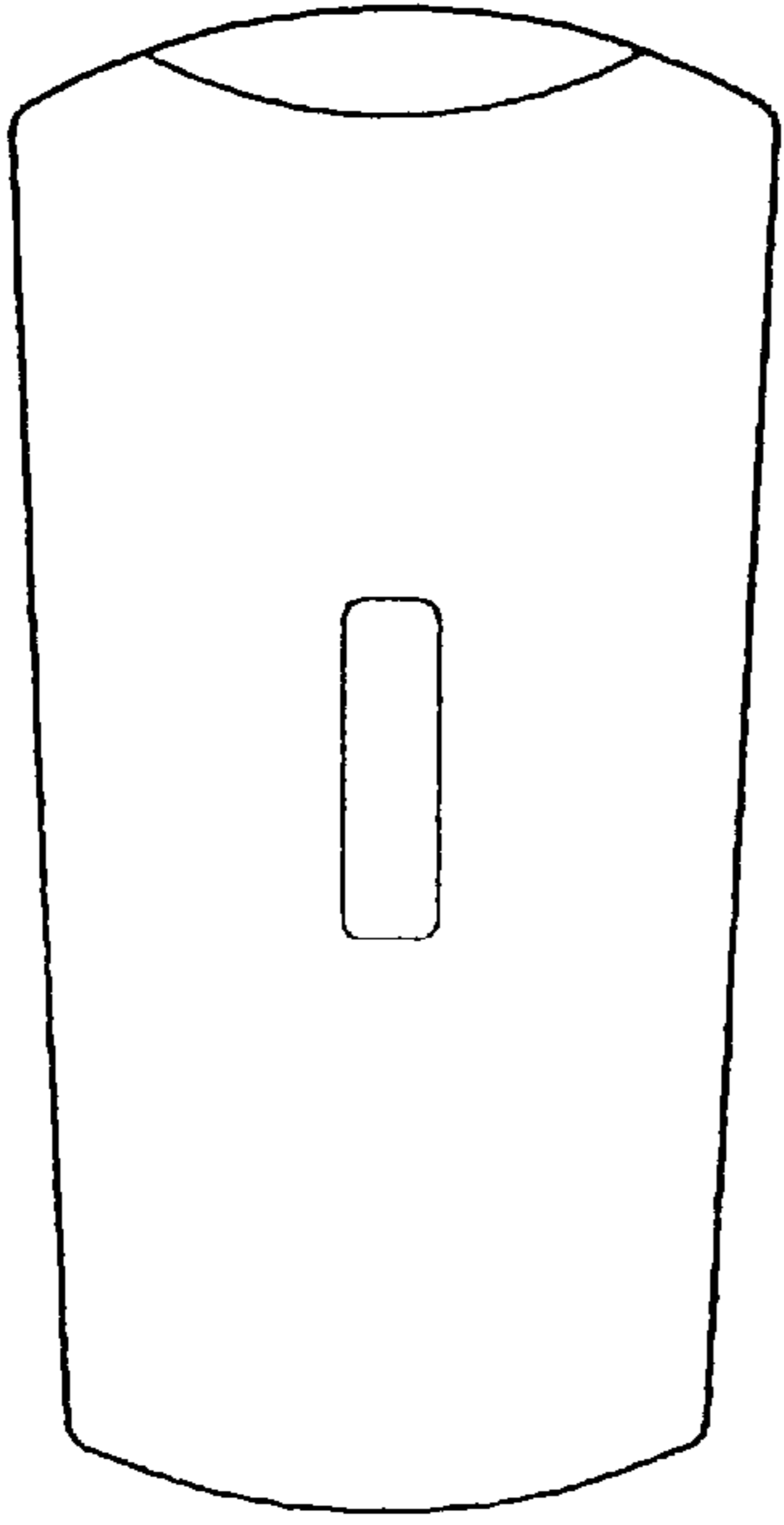


FIG. 8

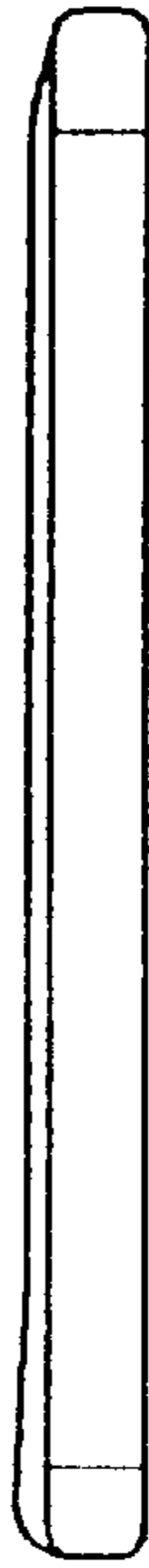


FIG. 10

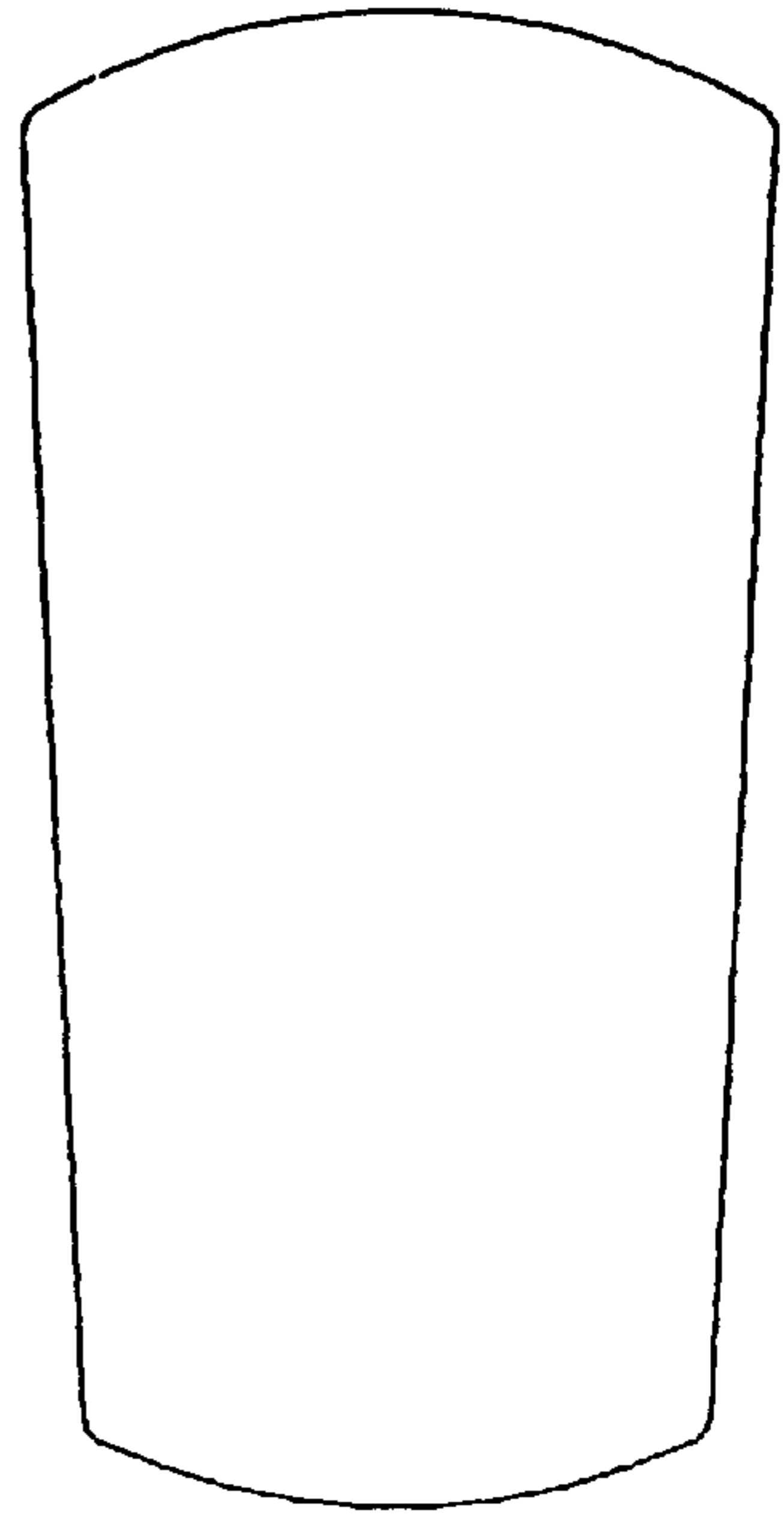


FIG. 13



FIG. 12

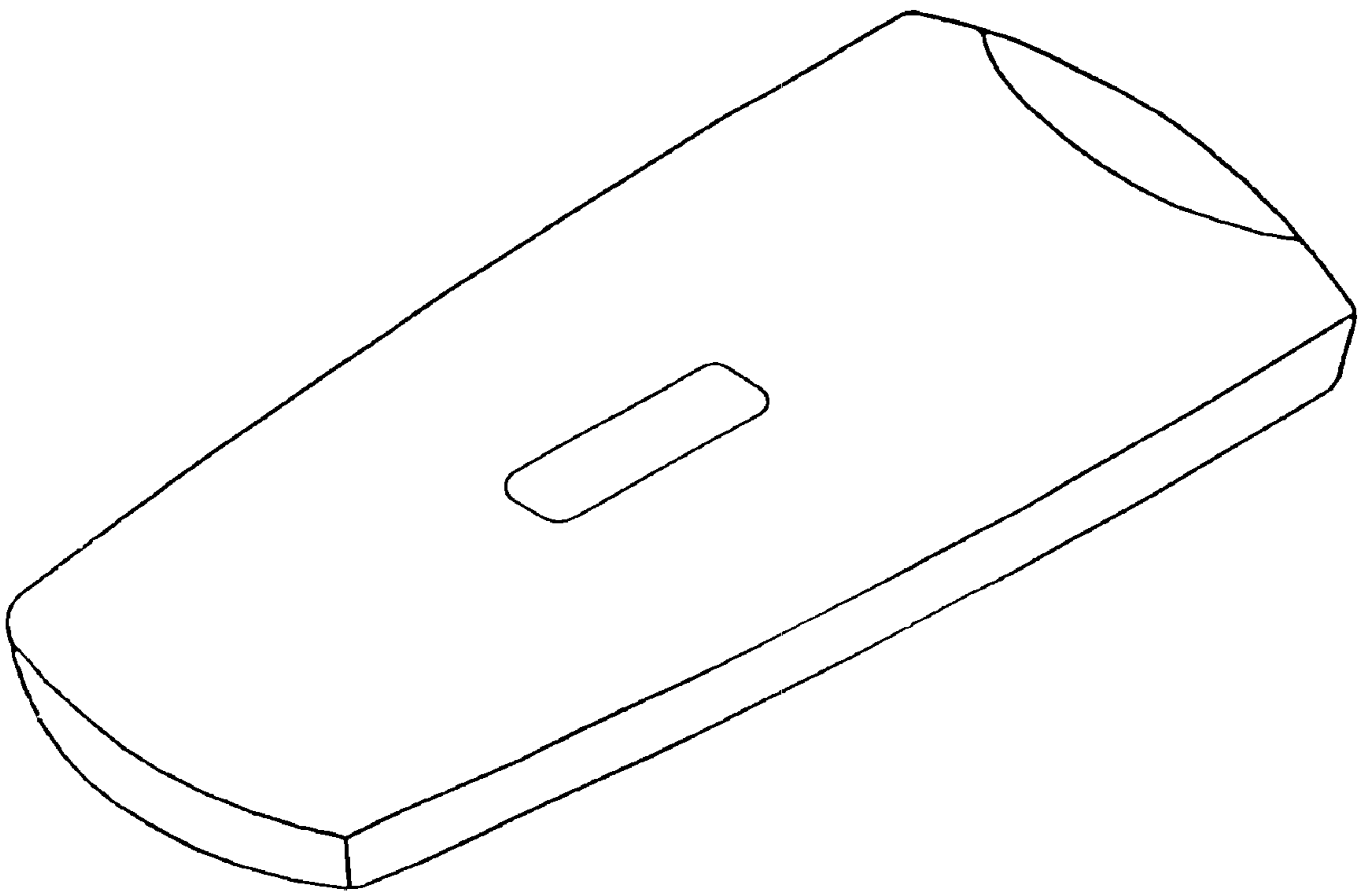


FIG. 14