



US00D468433S

(12) **United States Design Patent**
Wagner et al.

(10) **Patent No.: US D468,433 S**
(45) **Date of Patent: ** Jan. 7, 2003**

(54) **ELECTRODE FOR USE ON A LIVING SUBJECT**

(75) **Inventors: Kevin Brian Wagner, Chula Vista, CA (US); Paul Ronald Jansen, San Diego, CA (US); Richard Eugene Trayler, Scottsdale, AZ (US); Gail D. Baura, San Diego, CA (US)**

(73) **Assignee: Cardiodynamics International Corp., San Diego, CA (US)**

(**) **Term: 14 Years**

(21) **Appl. No.: 29/128,623**

(22) **Filed: Aug. 28, 2000**

(51) **LOC (7) Cl. 24-01**

(52) **U.S. Cl. D24/187**

(58) **Field of Search D24/187; 600/382, 600/383, 384, 391, 392, 393; 607/152, 153, 148, 149**

(56) **References Cited**

U.S. PATENT DOCUMENTS

D255,149 S	5/1980	Bevilacqua	
4,603,704 A	8/1986	Mund et al.	
4,617,935 A *	10/1986	Cartmell et al.	128/641
D295,784 S	5/1988	Inoue et al.	
D297,460 S	8/1988	Inoue et al.	
D297,461 S	8/1988	Inoue et al.	
4,773,424 A	9/1988	Inoue et al.	
4,777,954 A *	10/1988	Keusch et al.	128/640
4,852,572 A	8/1989	Nakahashi et al.	
4,899,753 A	2/1990	Inoue et al.	
4,938,219 A	7/1990	Ishii et al.	
4,945,911 A *	8/1990	Cohen et al.	128/640
D321,761 S	11/1991	Shimizu	

5,085,217 A	2/1992	Shimizu	
D327,325 S	6/1992	Strand	
D357,069 S	4/1995	Plahn et al.	
5,402,780 A *	4/1995	Faasse, Jr.	128/641
5,427,096 A *	6/1995	Bogusiewicz et al.	128/639
D367,108 S	2/1996	Axelgaard	
5,511,548 A *	4/1996	Riazzi et al.	128/641
D423,673 S	4/2000	Bassoe	
D423,674 S	4/2000	Bassoe	
D429,337 S *	8/2000	Sanfilippo	D24/187

OTHER PUBLICATIONS

ConMed Corporation POSITRACE ECG Electrode (Exhibit "A" consisting of five pages), Jun. 1998.
Application Ser. No. 09/613,183 entitled "Apparatus and Method for Determining Cardiac Output in a Living Subject," filed Jul. 10, 2000.

* cited by examiner

Primary Examiner—Stella Reid

(74) *Attorney, Agent, or Firm*—Gazdzinski & Associates

(57) **CLAIM**

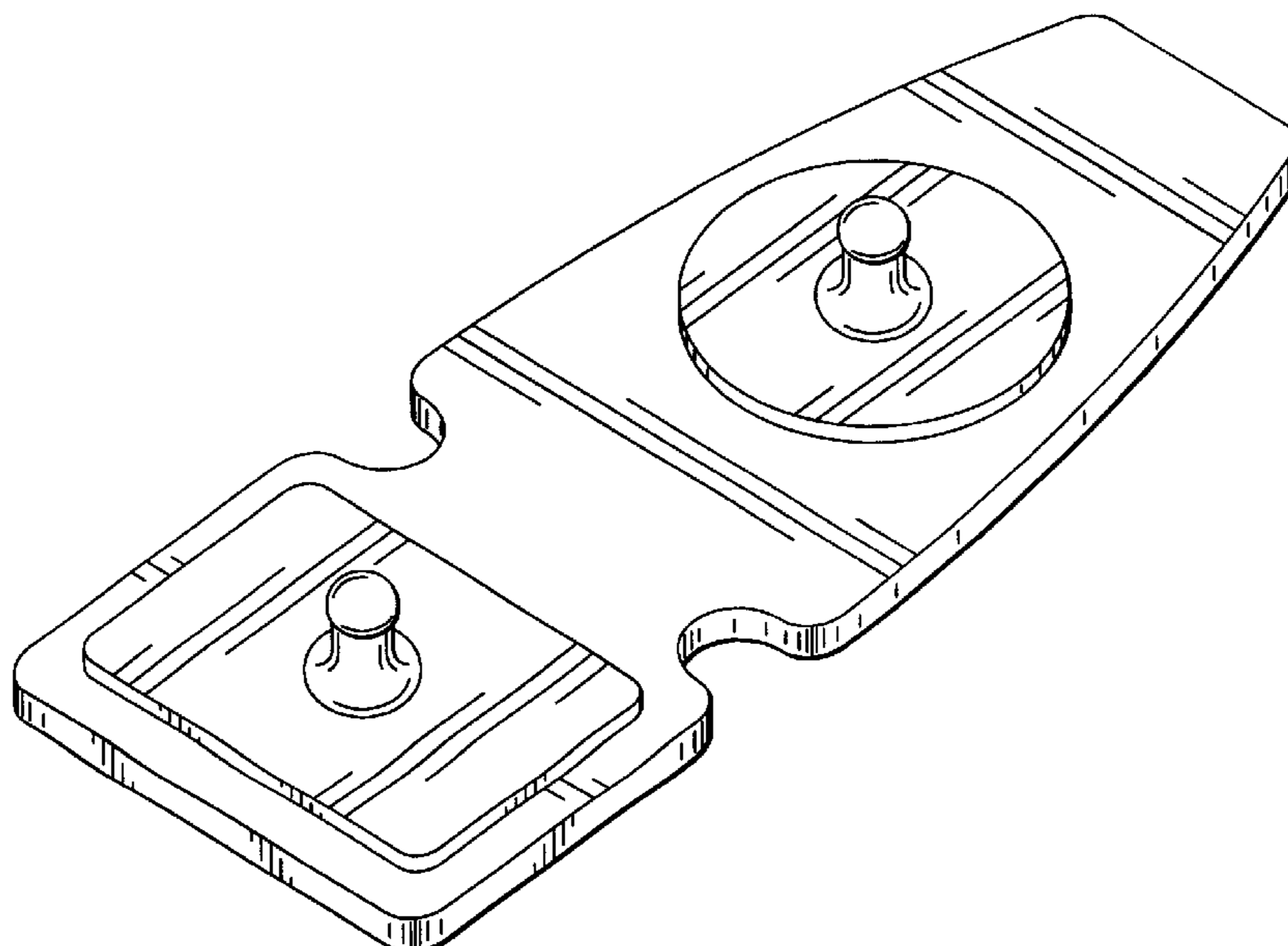
The ornamental design for an electrode for use on a living subject, as shown and described.

DESCRIPTION

FIG. 1 is a top perspective view of an electrode for use on a living subject, showing my new design;
FIG. 2 is a top plan view thereof;
FIG. 3 is a bottom plan view thereof;
FIG. 4 is a side view thereof;
FIG. 5 is a front view thereof; and,
FIG. 6 is a rear view thereof.

The electrolytic substance shown in FIG. 3 is translucent.

1 Claim, 2 Drawing Sheets



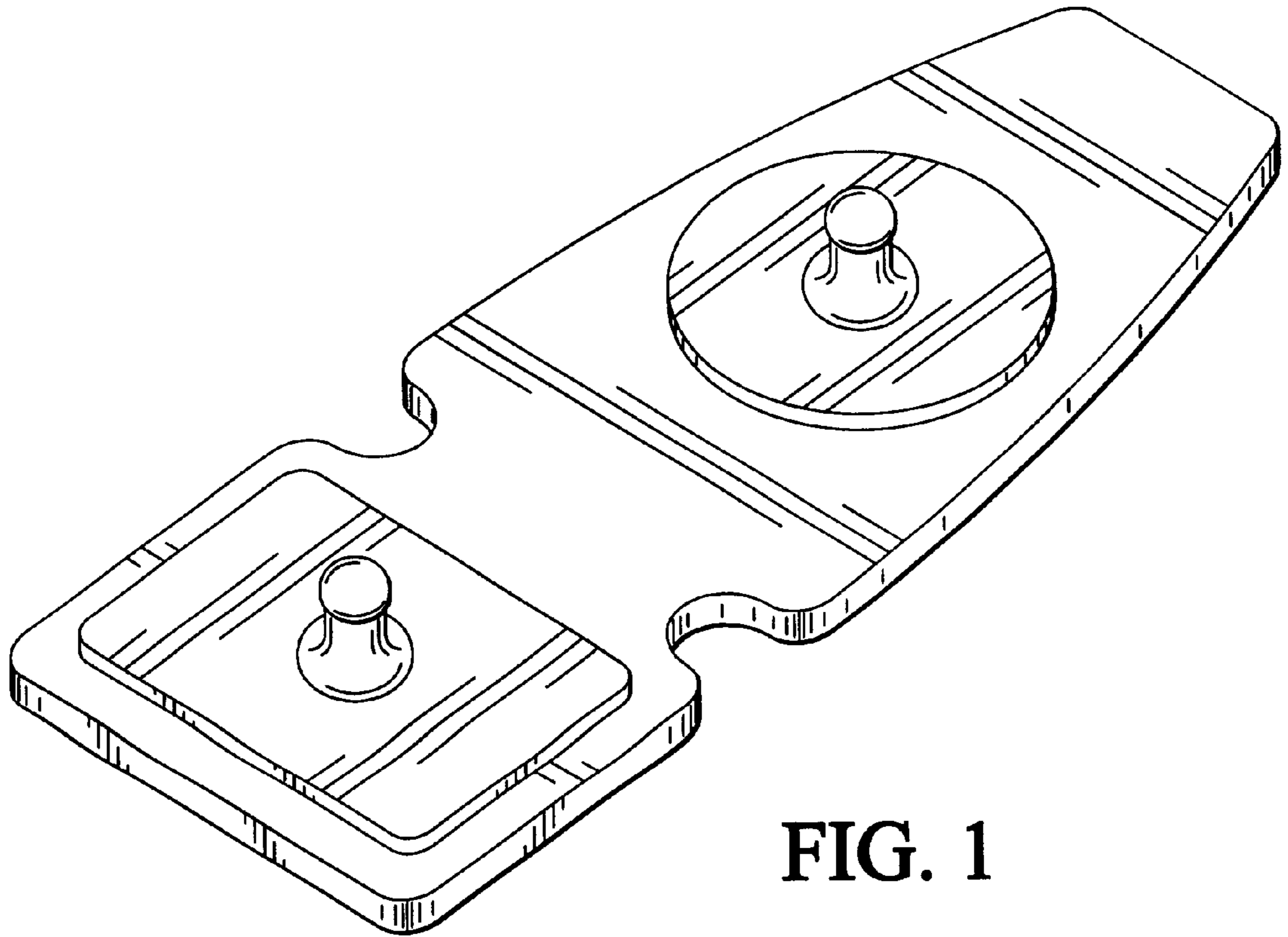


FIG. 1

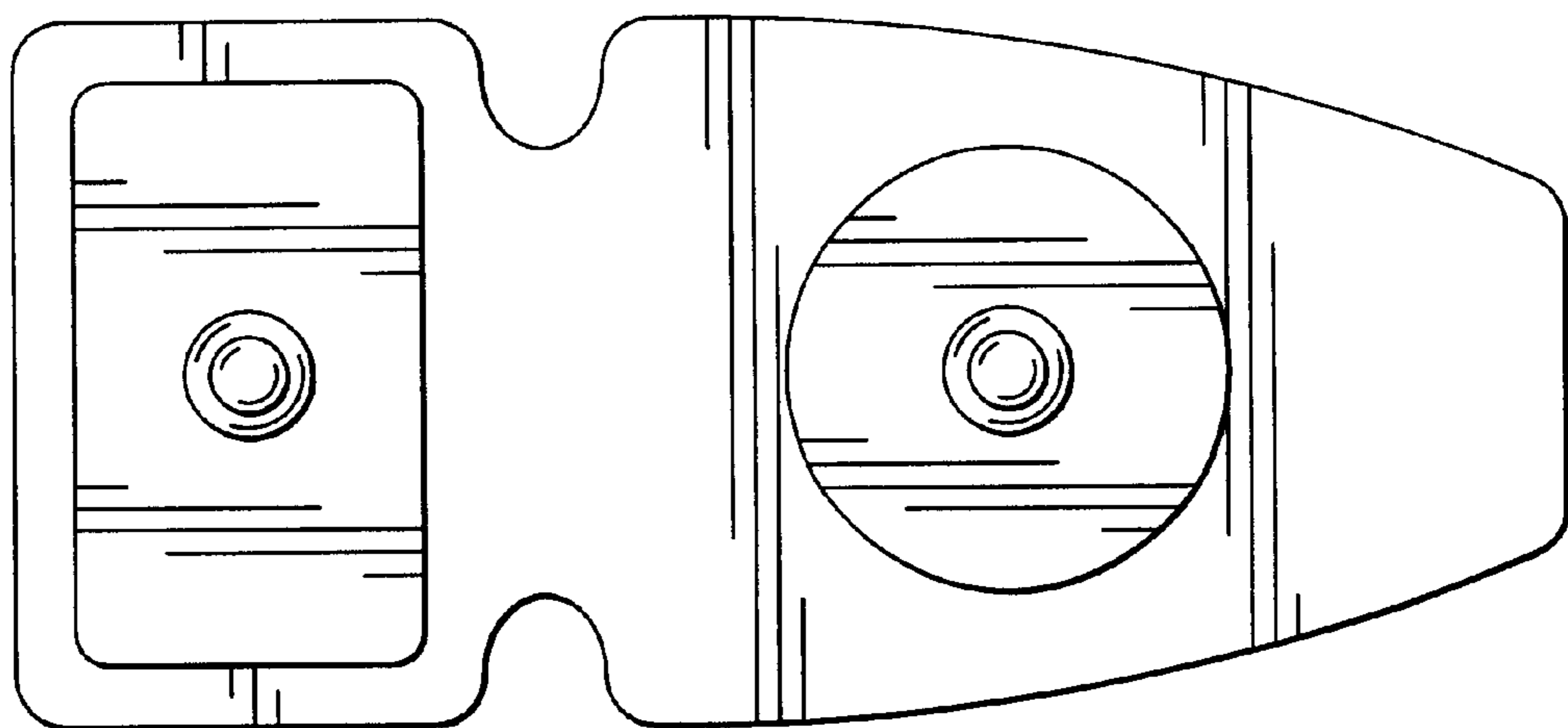


FIG. 2

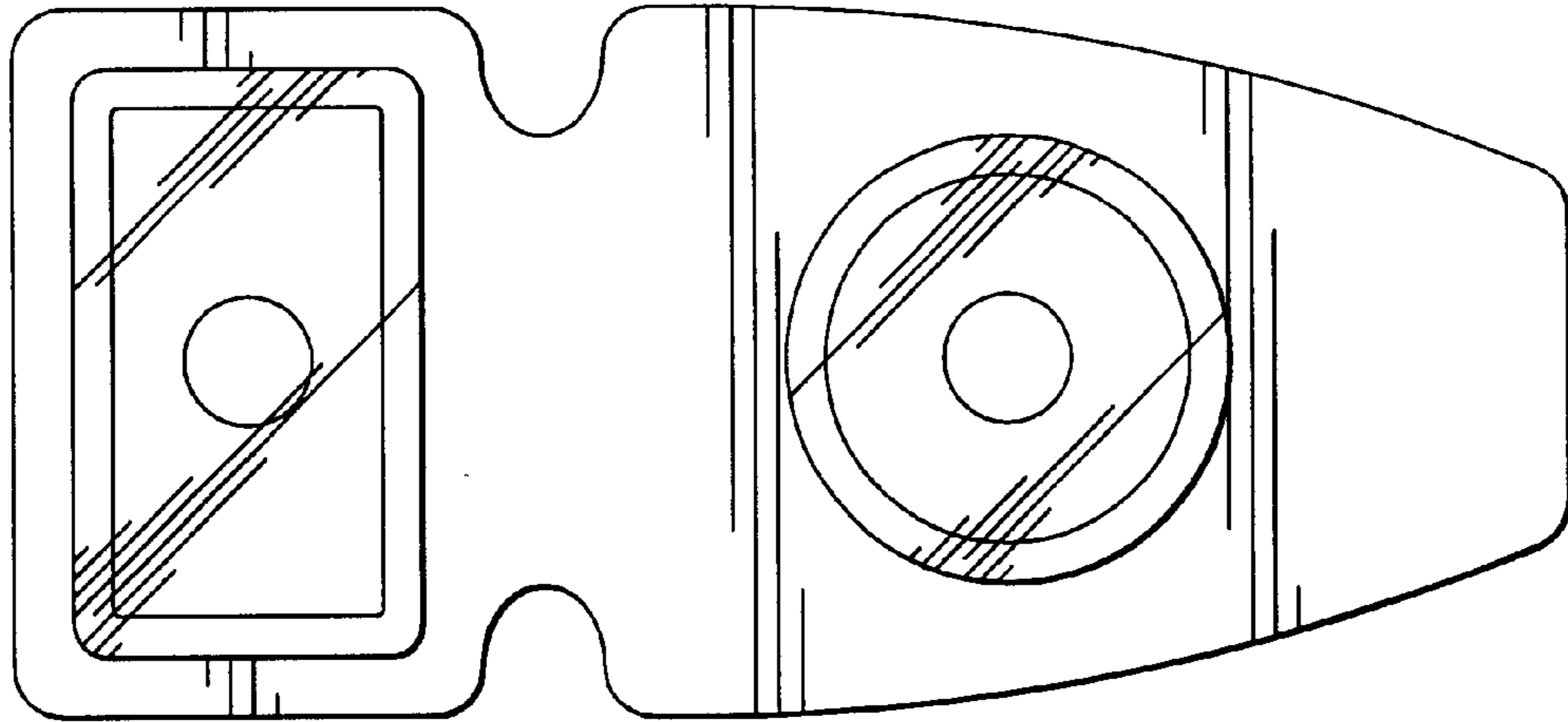


FIG. 3

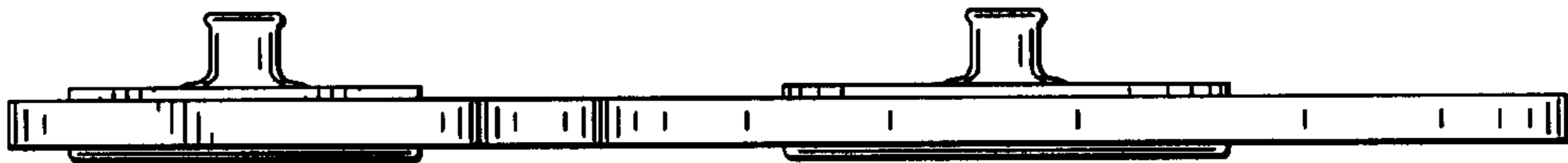


FIG. 4



FIG. 5

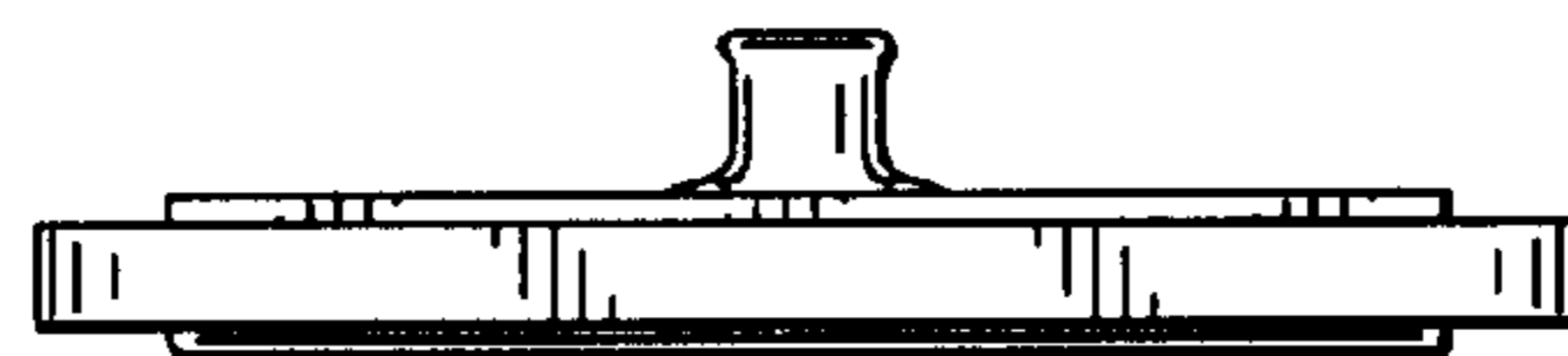


FIG. 6