



US00D468431S

(12) **United States Design Patent**  
**Huffman**

(10) **Patent No.:** **US D468,431 S**

(45) **Date of Patent:** **\*\* Jan. 7, 2003**

(54) **ENCASED STONE DENTAL MODEL BASE**

4,127,939 A 12/1978 Samuel et al.

4,203,219 A 5/1980 Wiener

4,240,605 A 12/1980 Waltke

(76) Inventor: **Ronald E. Huffman**, 13664 N. Placinta  
Montanas de Oro, Oro Valley, AZ (US)  
85737

(List continued on next page.)

(\*\*) Term: **14 Years**

**FOREIGN PATENT DOCUMENTS**

(21) Appl. No.: **29/157,674**

DE 3 436 094 A1 10/1984

DE 3 505 680 A1 7/1985

DE 3 521 137 A1 12/1986

DE 3 825 014 A1 1/1990

EP 0 210 484 A2 2/1985

EP 0 151 086 A2 8/1985

EP 0 277 026 A2 8/1988

EP 0 291 821 A1 11/1988

EP 0 528 335 A1 2/1993

FR 2 750 851 A1 1/1998

GB 866118 4/1961

GB 886118 1/1962

WO WO 88/10101 12/1988

(22) Filed: **Mar. 21, 2002**

**Related U.S. Application Data**

(62) Division of application No. 29/148,963, filed on Sep. 28,  
2001.

(51) **LOC (7) Cl.** ..... **24-01**

(52) **U.S. Cl.** ..... **D24/176**

(58) **Field of Search** ..... D24/176, 181;  
249/124; 264/334; 433/6, 34, 60, 61, 64,  
74, 213

*Primary Examiner*—Antoine Duval Davis

(74) *Attorney, Agent, or Firm*—Merchant & Gould P.C.

(56) **References Cited**

(57) **CLAIM**

**U.S. PATENT DOCUMENTS**

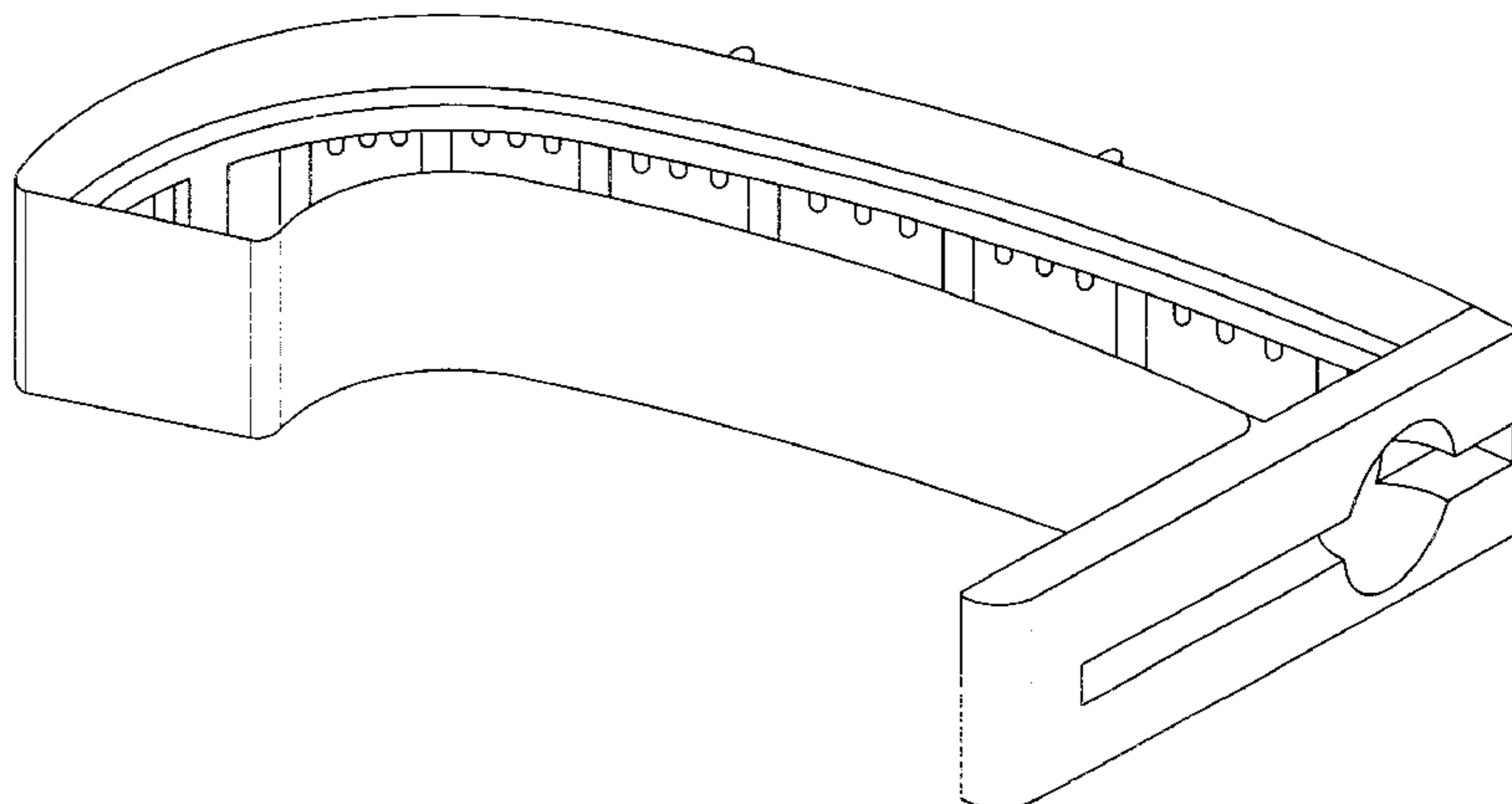
The ornamental design for encased stone dental model base,  
as shown and described.

- 921,791 A 5/1909 Benson
- 967,086 A 8/1910 Tuttle
- 1,013,028 A 12/1911 Lee
- 1,745,570 A 2/1930 Dimelow
- 1,772,027 A 8/1930 Baumgarten
- 1,780,117 A 10/1930 Craigo
- 2,031,996 A 2/1936 Zelesnick
- 2,398,671 A 4/1946 Saffir
- 2,585,857 A 2/1952 Schwartz
- 2,842,845 A 7/1958 Carlson
- 3,453,736 A 7/1969 Waltke
- 3,478,428 A 11/1969 Stengel
- 3,510,947 A 5/1970 Tuccillo et al.
- 3,518,761 A 7/1970 Susman et al.
- 3,581,398 A 6/1971 Thomas
- 3,934,348 A 1/1976 Janjic
- 3,937,773 A 2/1976 Huffman
- 3,969,820 A 7/1976 Kulig et al.
- 4,021,916 A 5/1977 Spalten
- 4,022,419 A 5/1977 Haker
- 4,116,416 A 9/1978 Segura
- 4,122,606 A 10/1978 Roman

**DESCRIPTION**

FIG. 1 is a perspective view of an alternative embodiment of the present invention.  
 FIG. 2 is a front elevation view of an alternative embodiment of the present invention.  
 FIG. 3 is a rear elevation view of the alternative embodiment of the present invention.  
 FIG. 4 is the side view of the alternative embodiment of the present invention.  
 FIG. 5 is the side view of the alternative embodiment of the present invention.  
 FIG. 6 is a top plan view of the alternative embodiment of the present invention; and,  
 FIG. 7 is a bottom plan view of the alternative embodiment of the present invention.

**1 Claim, 3 Drawing Sheets**



# US D468,431 S

Page 2

## U.S. PATENT DOCUMENTS

4,242,812 A	1/1981	Randoll et al.	4,898,359 A	2/1990	Gopon
4,265,619 A	5/1981	Lucki et al.	RE33,271 E	7/1990	Shoher et al.
4,283,173 A	8/1981	Browne et al.	4,940,409 A	7/1990	Nordin
4,301,357 A	11/1981	Huffman	4,980,124 A	12/1990	Dimmer
4,319,875 A	3/1982	Beckwith	5,028,235 A	7/1991	Smith
4,359,464 A	11/1982	Weinstock	5,049,075 A	9/1991	Barrut
4,371,339 A	2/1983	Zeiser	5,076,789 A	12/1991	Tanaka
4,378,929 A	4/1983	Huffman	5,098,290 A	3/1992	Honstein et al.
4,382,787 A	5/1983	Huffman	5,100,317 A	3/1992	Darnand
4,398,884 A	8/1983	Huffman	5,197,874 A	3/1993	Silva et al.
4,439,151 A	3/1984	Whelan	5,207,574 A	5/1993	Garland
4,443,192 A	4/1984	Blitz	5,352,117 A	10/1994	Silva
4,449,930 A	5/1984	Huffman	5,393,227 A	2/1995	Nooning
4,449,931 A	5/1984	Saito	5,466,152 A	11/1995	Walter
4,459,110 A	7/1984	Jackson	5,470,231 A	11/1995	Stern
4,473,353 A	9/1984	Greggs	5,501,600 A	3/1996	Johnson
4,481,162 A	11/1984	Huffman	5,766,007 A	6/1998	Huffman
4,494,934 A	1/1985	Huffman	5,769,634 A	6/1998	Choi
4,521,188 A	6/1985	Metzler	5,775,899 A	7/1998	Huffman
4,533,323 A	8/1985	Huffman	5,788,489 A	8/1998	Huffman
4,538,987 A	9/1985	Weissman	5,788,490 A	8/1998	Huffman
4,548,581 A	10/1985	Huffman	5,800,166 A	9/1998	Huffman
D283,541 S	4/1986	Huffman	5,807,099 A	9/1998	Johnson
D283,542 S	4/1986	Huffman	5,868,569 A	2/1999	Huffman
D283,639 S	4/1986	Huffman	5,934,901 A	8/1999	Huffman
D283,730 S	5/1986	Huffman	D429,815 S	8/2000	Huffman
4,608,016 A	8/1986	Zeiser	6,106,284 A	8/2000	Cronin et al.
D286,179 S	10/1986	Huffman	D430,672 S	9/2000	Huffman
D286,436 S	10/1986	Huffman	D433,136 S	10/2000	Huffman
4,645,454 A	2/1987	Amdur et al.	D433,754 S	11/2000	Huffman
D289,924 S	5/1987	Huffman	D443,363 S	6/2001	Huffman
4,671,770 A	6/1987	Bell et al.	D444,559 S	7/2001	Huffman
4,708,648 A	11/1987	Weissman	D452,009 S	12/2001	Huffman
4,708,835 A	11/1987	Kiefer	D452,010 S	12/2001	Huffman
4,721,464 A	1/1988	Roden et al.	D452,319 S	12/2001	Huffman
4,734,033 A	3/1988	Huffman	D452,320 S	12/2001	Huffman
4,767,330 A	8/1988	Burger	D452,321 S	12/2001	Huffman
4,767,331 A	8/1988	Hoe	D452,322 S	12/2001	Huffman
4,786,253 A	11/1988	Morais	D452,566 S	12/2001	Huffman
4,834,651 A	5/1989	Fenick	D452,567 S	12/2001	Huffman
4,842,242 A	6/1989	Huffman	D452,568 S	12/2001	Huffman
D302,456 S	7/1989	Huffman	D456,902 S	5/2002	Huffman
D302,587 S	8/1989	Huffman	D456,903 S	5/2002	Huffman
D302,724 S	8/1989	Huffman	D456,904 S	5/2002	Huffman
D302,725 S	8/1989	Huffman	D457,243 S	5/2002	Huffman
RE33,099 E	10/1989	Shoher et al.	D457,636 S	5/2002	Huffman
D305,361 S	1/1990	Huffman	D457,637 S	5/2002	Huffman
D305,362 S	1/1990	Huffman	D457,963 S	5/2002	Huffman
D306,206 S	2/1990	Huffman	D457,964 S	5/2002	Huffman

FIG. 1

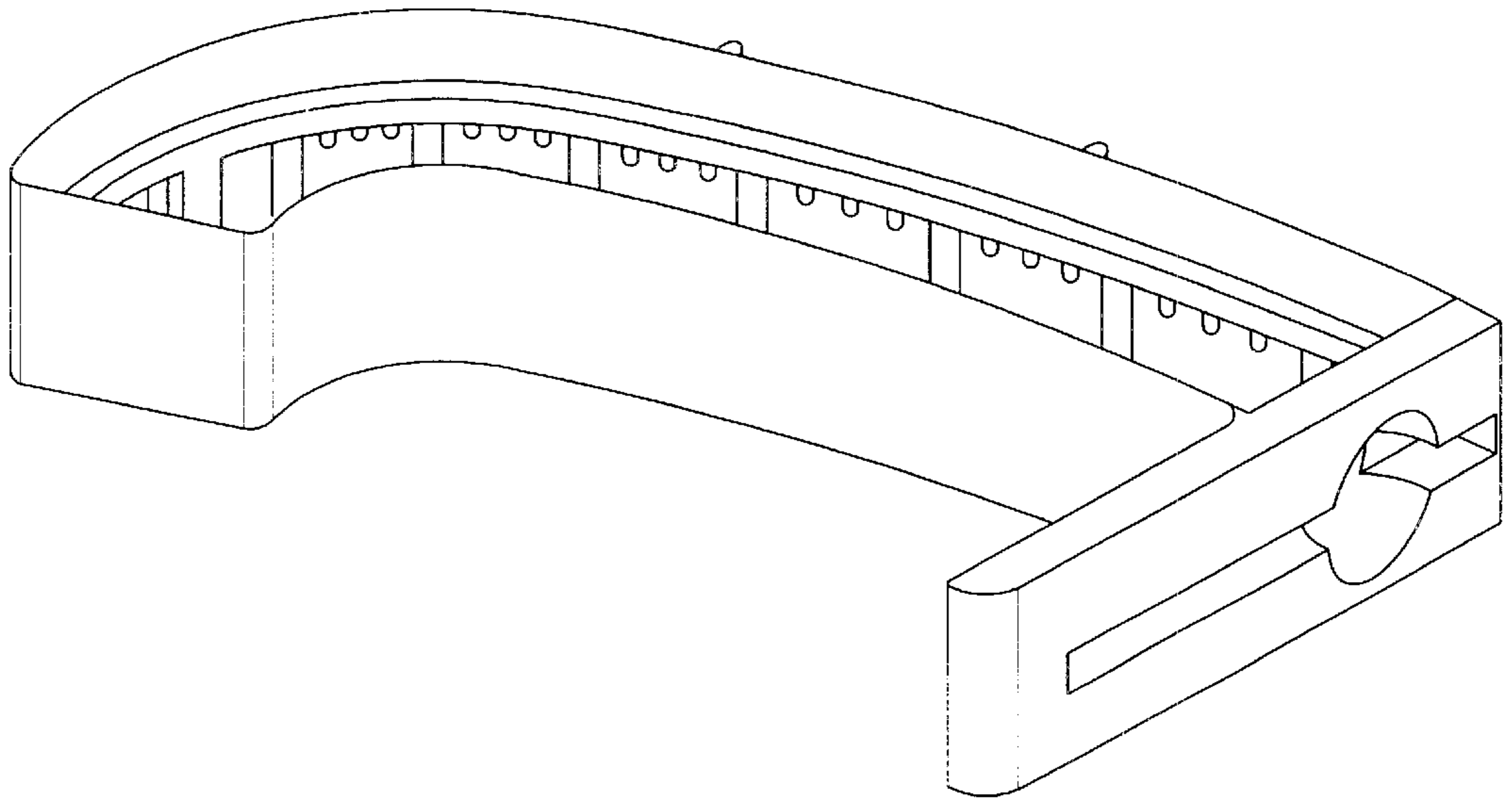


FIG. 2

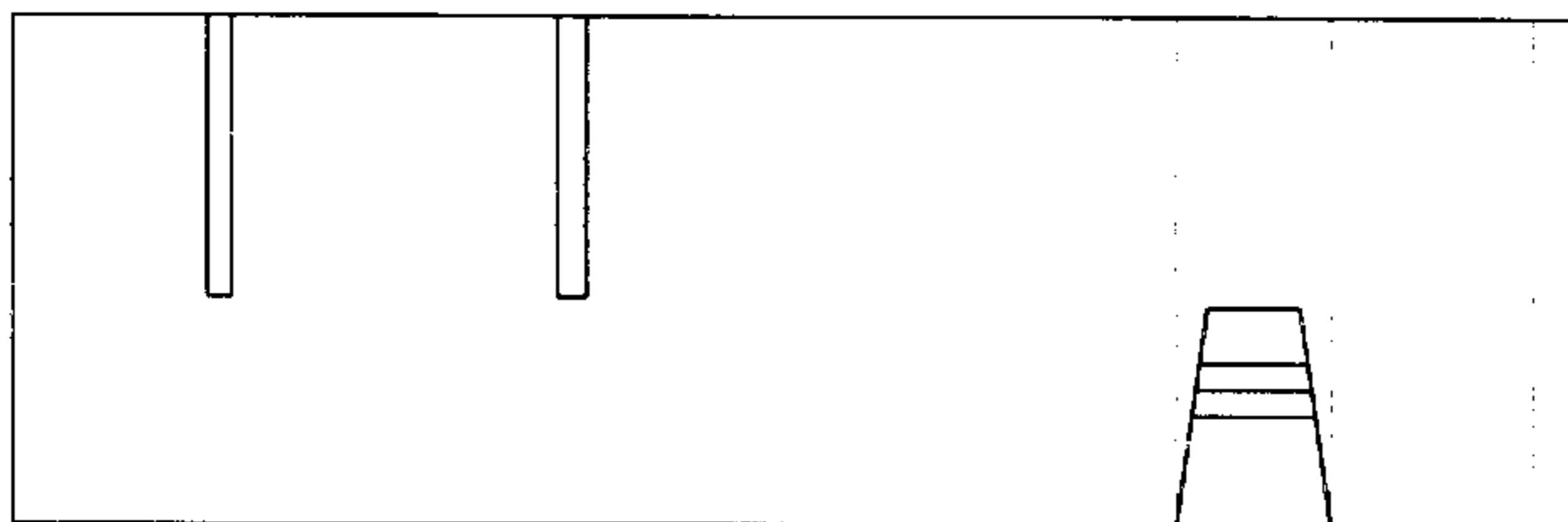


FIG. 3

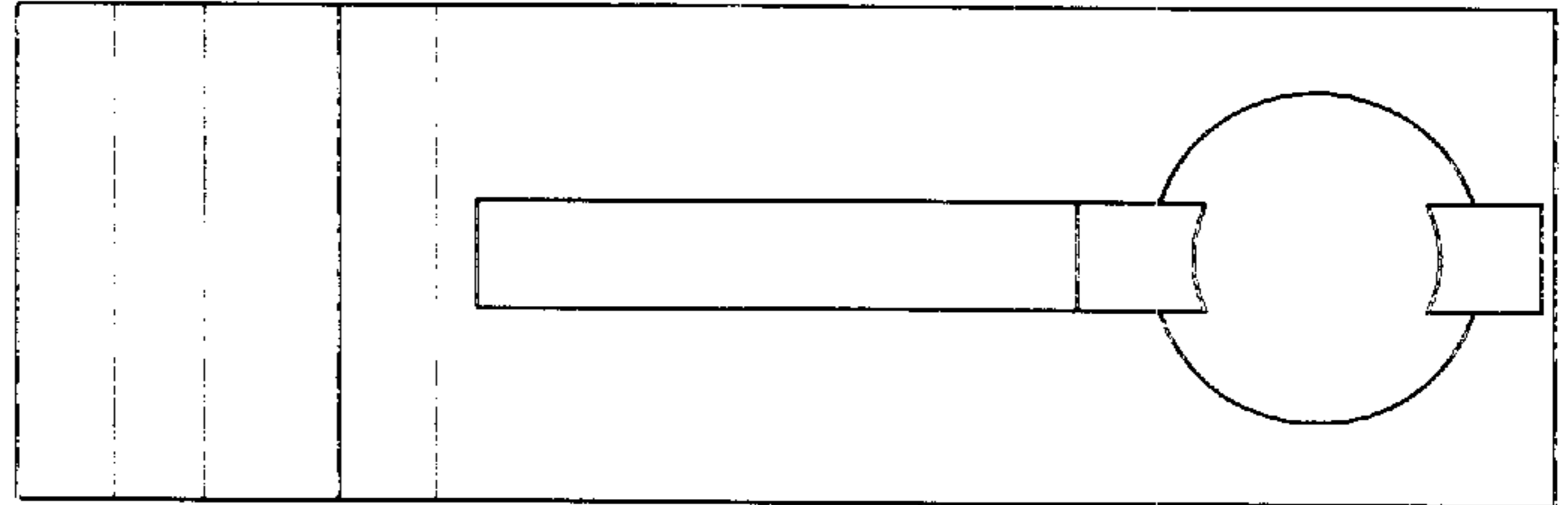


FIG. 4

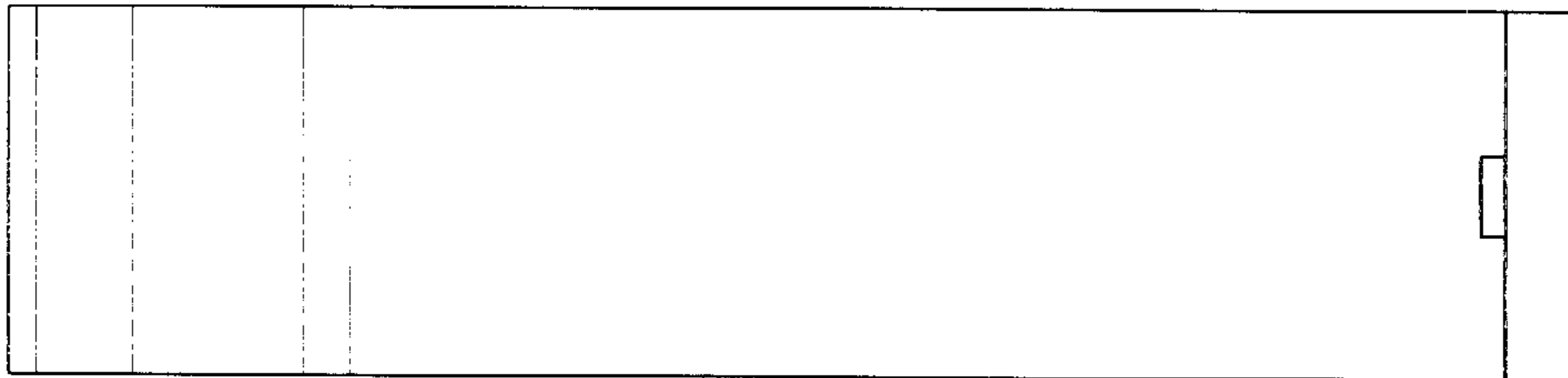


FIG. 5

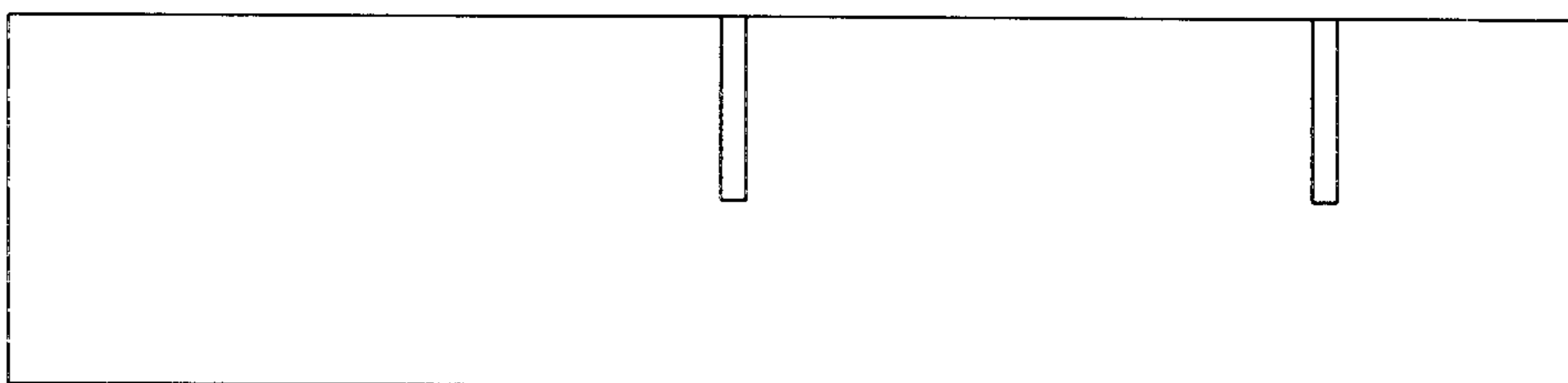


FIG. 6

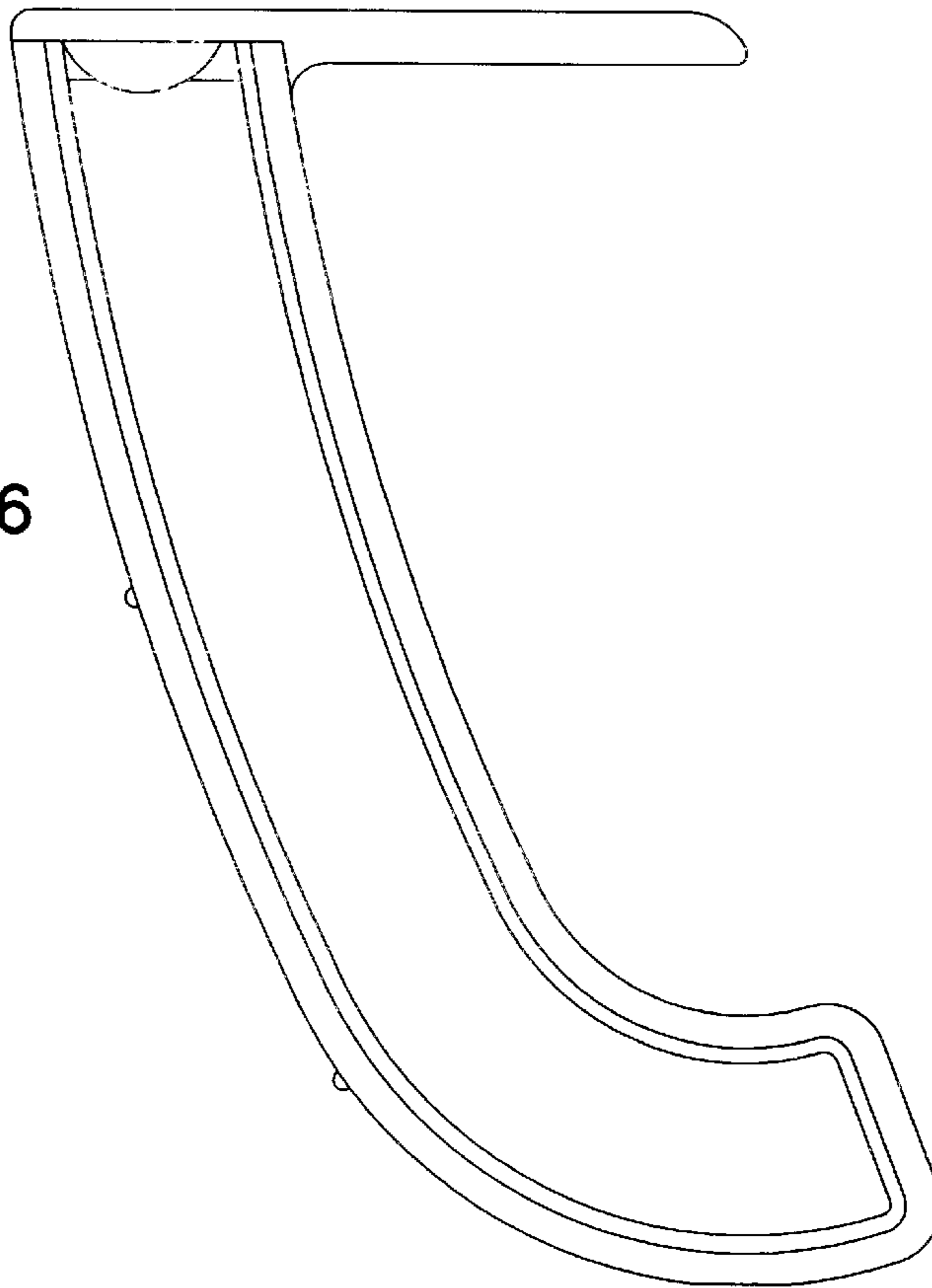


FIG. 7

