



US00D468429S

(12) **United States Design Patent**
Bareth et al.

(10) **Patent No.:** **US D468,429 S**

(45) **Date of Patent:** **** Jan. 7, 2003**

(54) **INTRAORAL CAMERA**

(75) Inventors: **Erich Bareth**, Ummendorf (DE);
Bernhard Lingenhole, Warthausen
(DE); **Thomas Braun**, Biberach (DE)

(73) Assignee: **Kaltenbach & Voight GmbH**,
Biberach/Rib (DE)

(**) Term: **14 Years**

(21) Appl. No.: **29/148,722**

(22) Filed: **Sep. 26, 2001**

(30) **Foreign Application Priority Data**

Mar. 26, 2001 (DE) 4 01 03 179

(51) **LOC (7) Cl.** **24-03**

(52) **U.S. Cl.** **D24/152; D24/137**

(58) **Field of Search** D24/137, 138,
D24/141, 152, 176; 600/167, 109, 168;
433/29, 116; 348/66, 223, 68

(56) **References Cited**

U.S. PATENT DOCUMENTS

D354,566 S * 1/1995 Donahoo D24/152

5,528,432 A * 6/1996 Donahoo 600/167
6,002,424 A * 12/1999 Rapa et al. 348/66
6,019,721 A * 2/2000 Holmes et al. 433/29
6,095,811 A * 8/2000 Stearns 433/29

* cited by examiner

Primary Examiner—Ian Simmons

(74) *Attorney, Agent, or Firm*—Marshall, Gerstein & Borun

(57) **CLAIM**

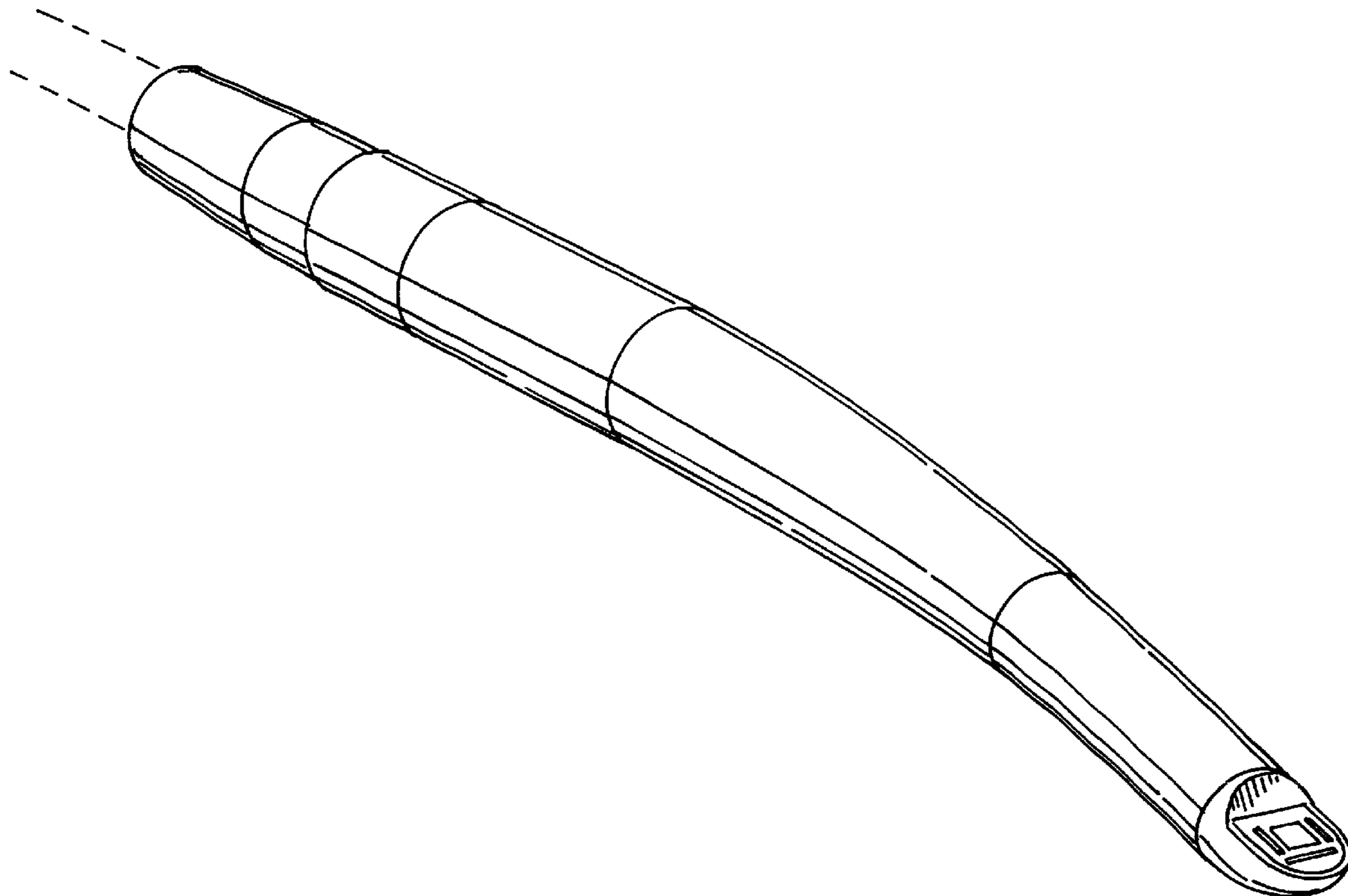
The ornamental design for an “intraoral camera”, as shown and described.

DESCRIPTION

FIG. 1 is a right side perspective view taken from the front and above showing our new design;
FIG. 2 is a left elevational view thereof
FIG. 3 is a right elevational view thereof;
FIG. 4 is a front view thereof;
FIG. 5 is a rear view thereof;
FIG. 6 is a plan view thereof; and,
FIG. 7 is a bottom view thereof.

The broken line showing is for illustrative purposes only and forms no part of the claimed design.

1 Claim, 3 Drawing Sheets



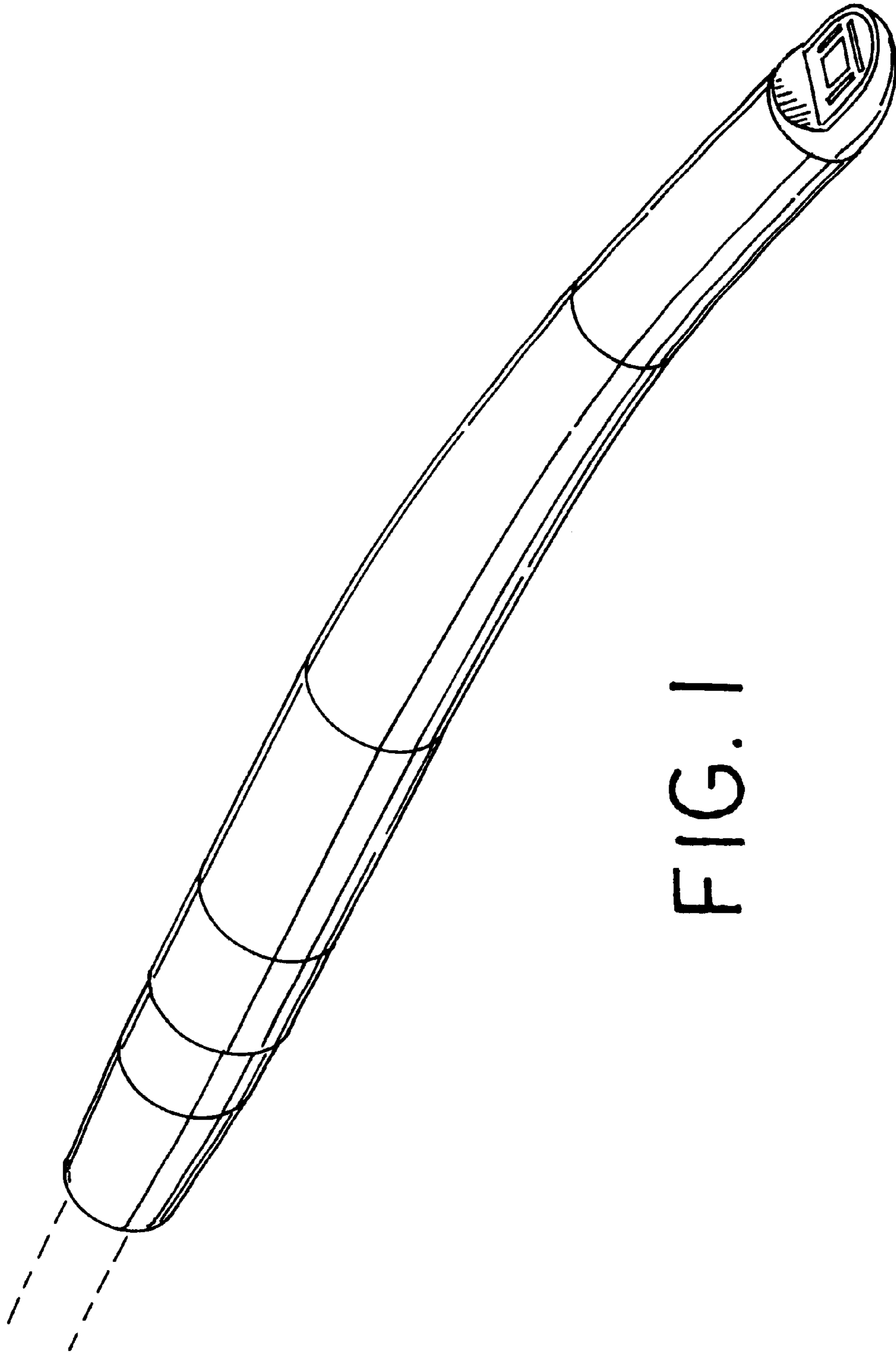


FIG. 1

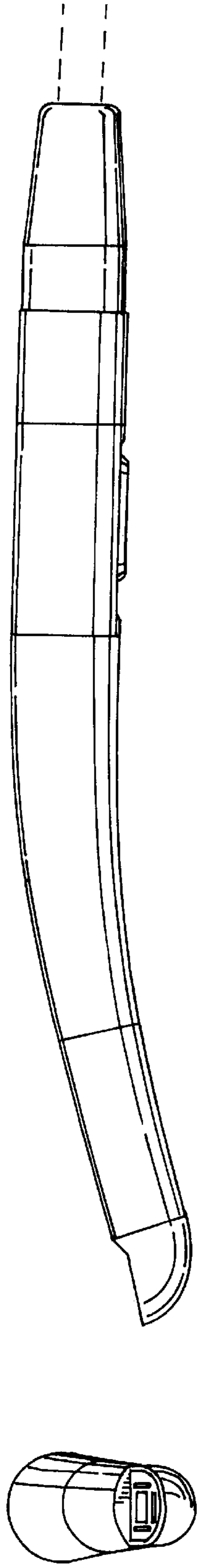


FIG. 4

FIG. 2

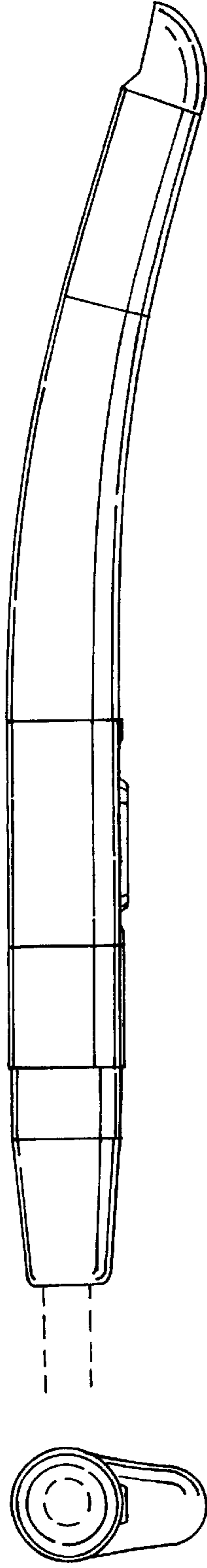


FIG. 5

FIG. 3

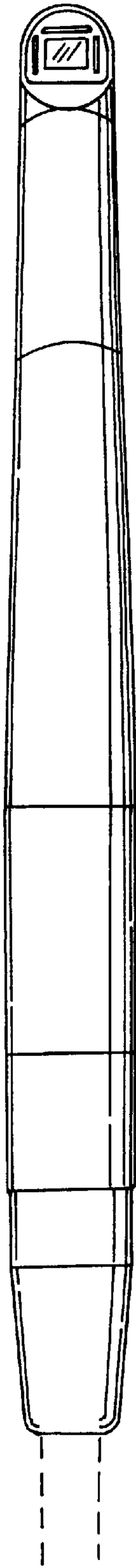


FIG. 6

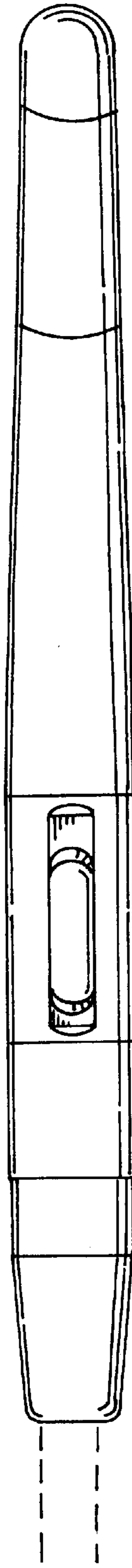


FIG. 7