



US00D468421S

(12) **United States Design Patent**
Smart

(10) **Patent No.:** **US D468,421 S**

(45) **Date of Patent:** **** Jan. 7, 2003**

(54) **NASAL MASK**

(75) **Inventor:** **Gregory S. Smart, Randwick (AU)**

(73) **Assignee:** **ResMed Limited, North Ryde (AU)**

(**) **Term:** **14 Years**

(21) **Appl. No.:** **29/148,552**

(22) **Filed:** **Sep. 24, 2001**

(51) **LOC (7) Cl.** **29-02**

(52) **U.S. Cl.** **D24/110.1; D24/110.4**

(58) **Field of Search** **D24/110.1, 110.4,**
D24/110.5; 128/207.13, 207.17, 207.18,
205.25, 206.26, 207.11

(56) **References Cited**

U.S. PATENT DOCUMENTS

D322,318 S	12/1991	Sullivan	
5,542,128 A	* 8/1996	Lomas	128/207.11
D430,663 S	* 9/2000	Smart	D24/110.4
6,112,746 A	* 9/2000	Kwok et al.	128/207.13
6,119,693 A	* 9/2000	Kwok et al.	128/207.11

D439,326 S	* 3/2001	Hecker et al.	D24/110.5
D441,860 S	* 5/2001	Kopacko et al.	D24/110.1
6,374,826 B1	* 4/2002	Gunaratnam et al.	128/207.11
D458,365 S	* 6/2002	Kopacko et al.	D24/110.1
D459,800 S	* 7/2002	Smart	D24/110.1

* cited by examiner

Primary Examiner—Ian Simmons

(74) *Attorney, Agent, or Firm*—Pillsbury Winthrop LLP

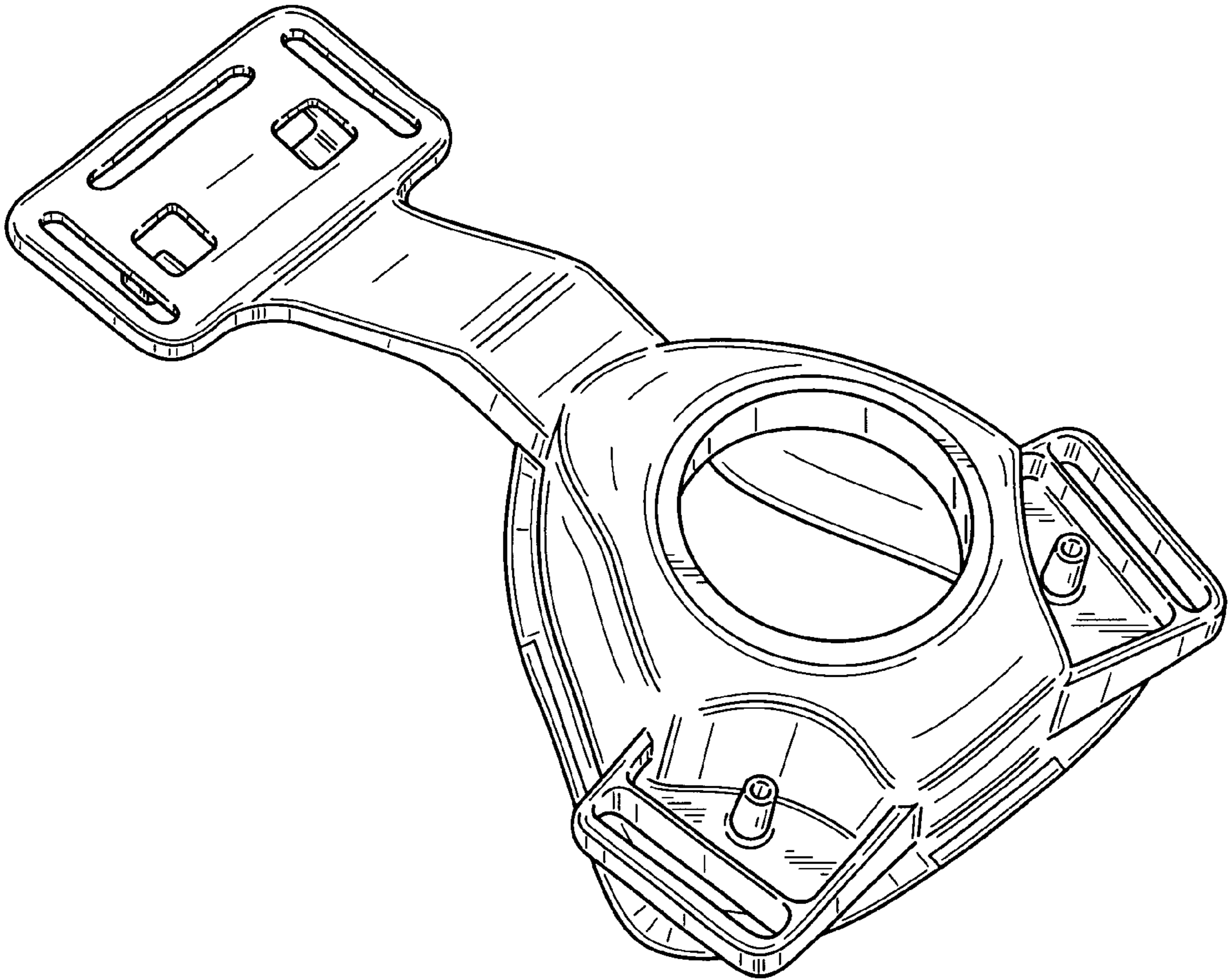
(57) **CLAIM**

The ornamental design for a nasal mask, as shown and described.

DESCRIPTION

FIG. 1 is a front top and left perspective view of a nasal mask showing my new design;
FIG. 2 is a front view thereof;
FIG. 3 is a left side view thereof, with the right side view thereof being a mirror image thereof;
FIG. 4 is a rear view thereof;
FIG. 5 is a bottom view thereof; and,
FIG. 6 is a top view thereof.

1 Claim, 3 Drawing Sheets



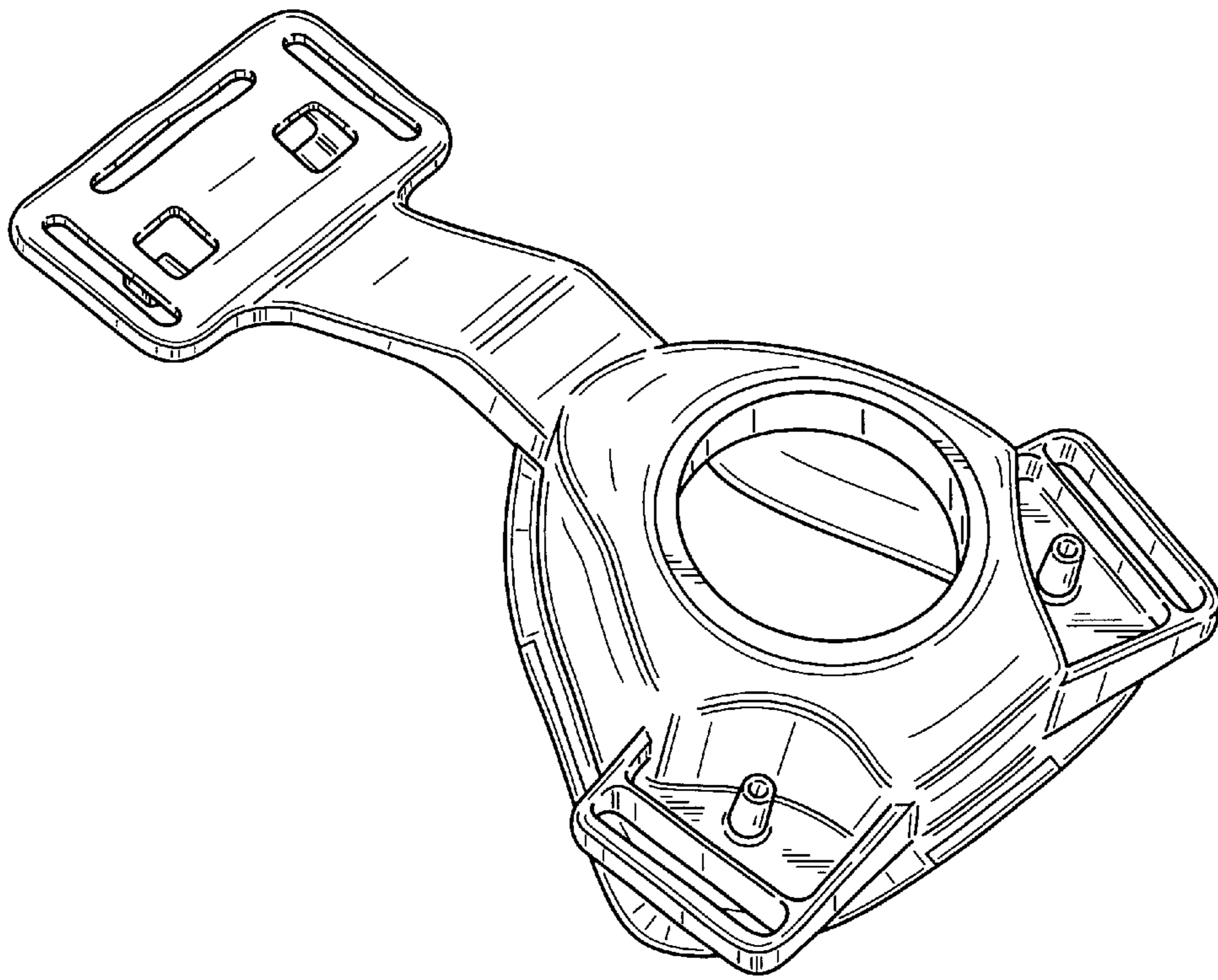


FIG. 1

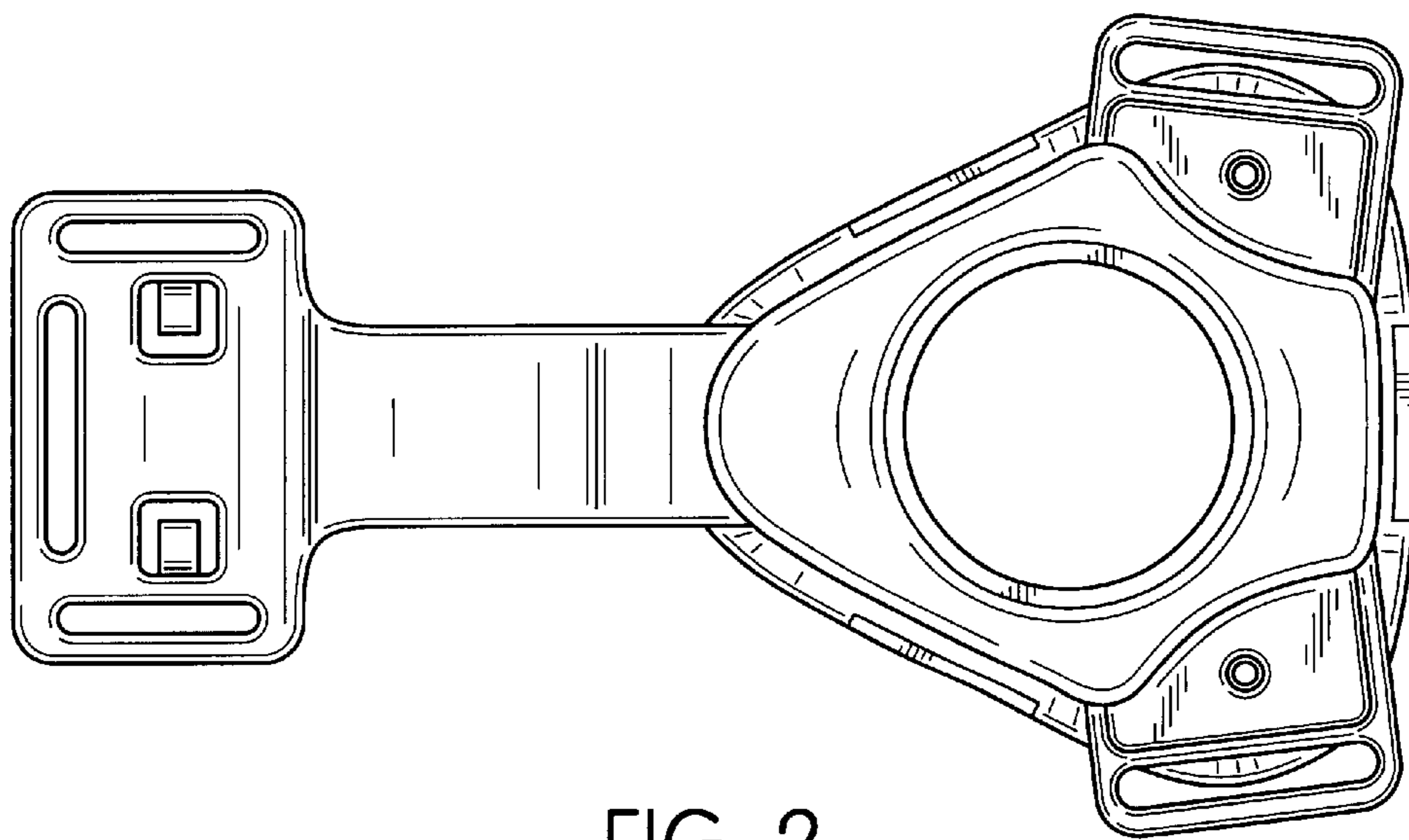


FIG. 2

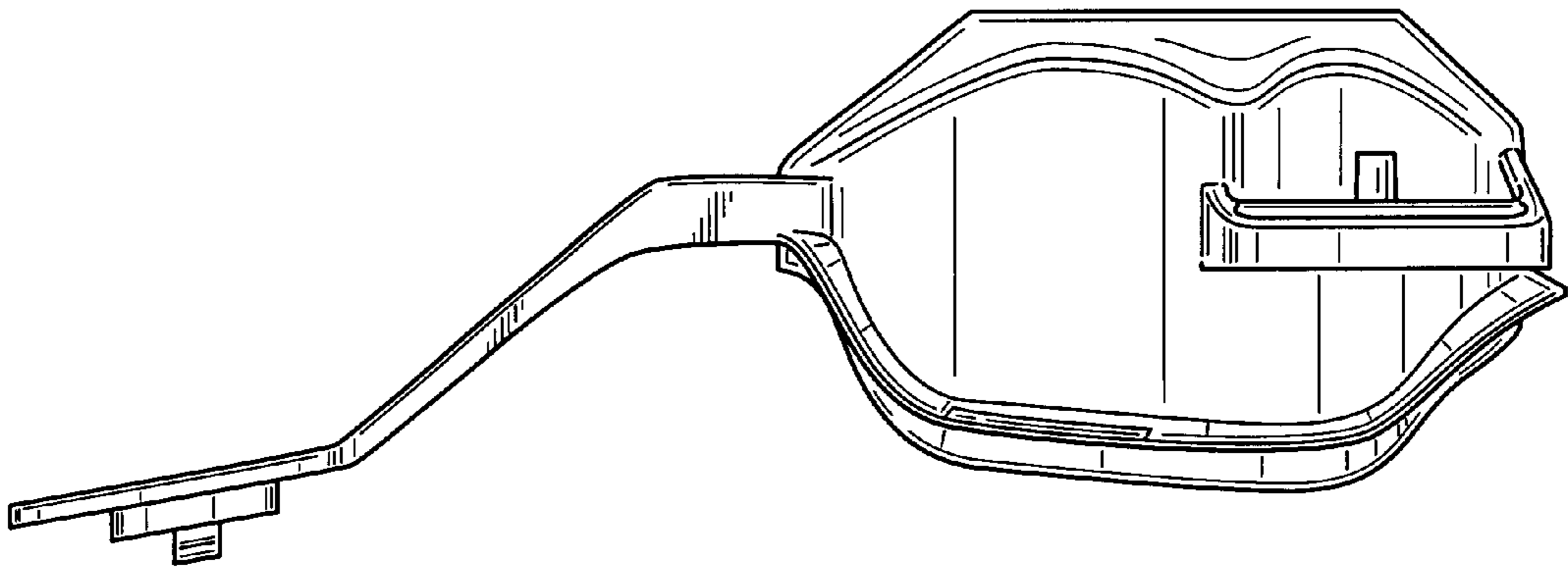


FIG. 3

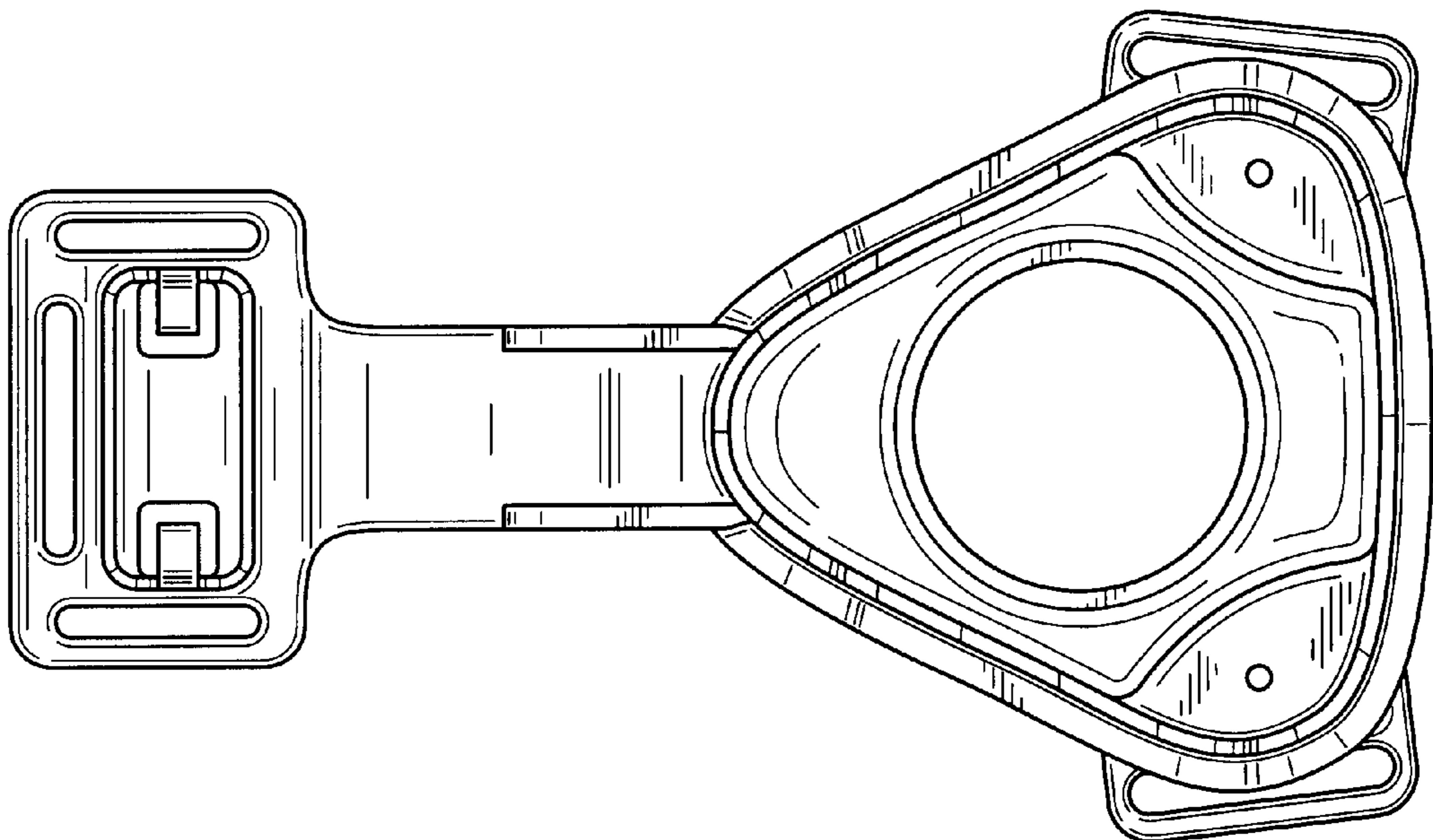


FIG. 4

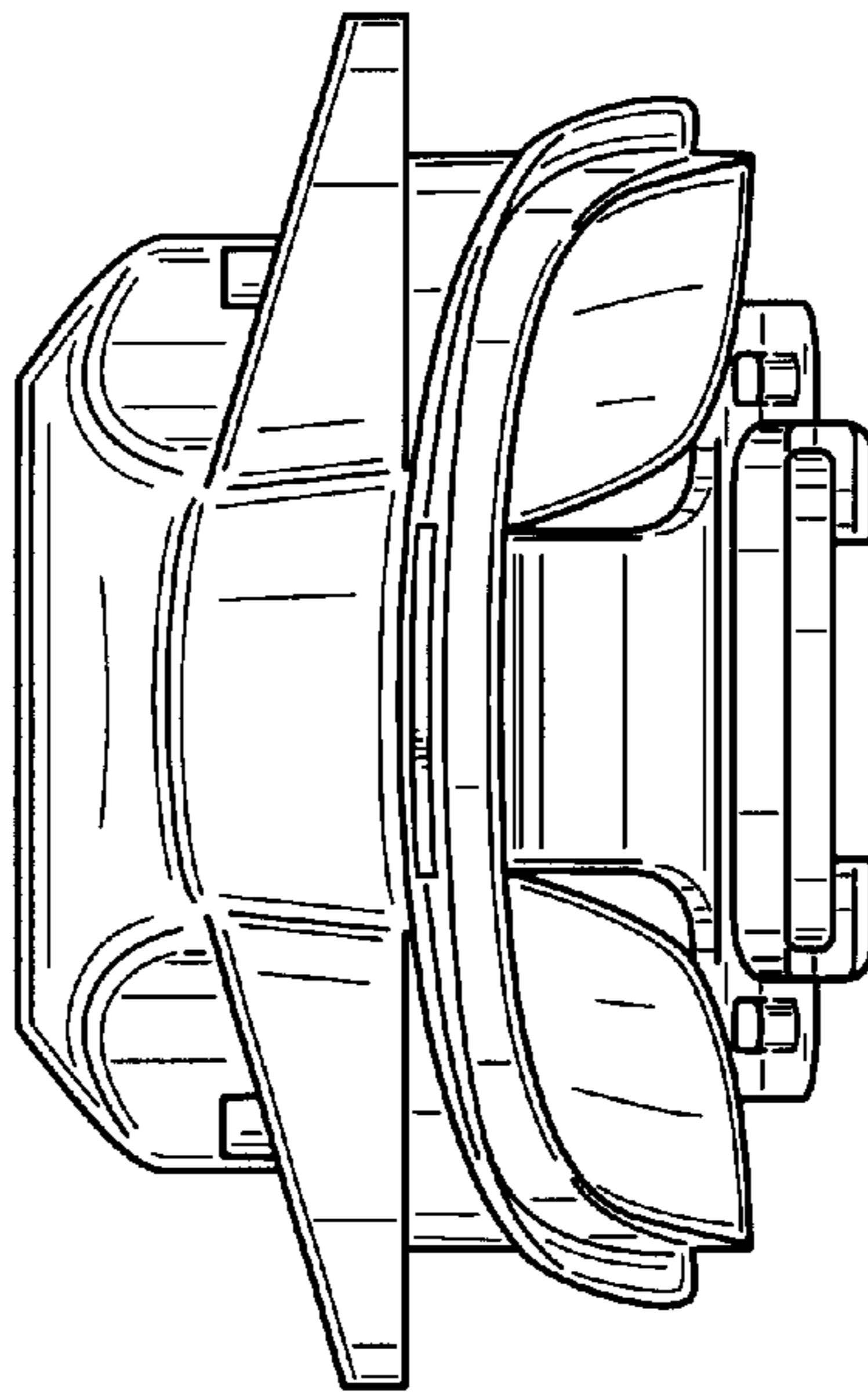


FIG. 5

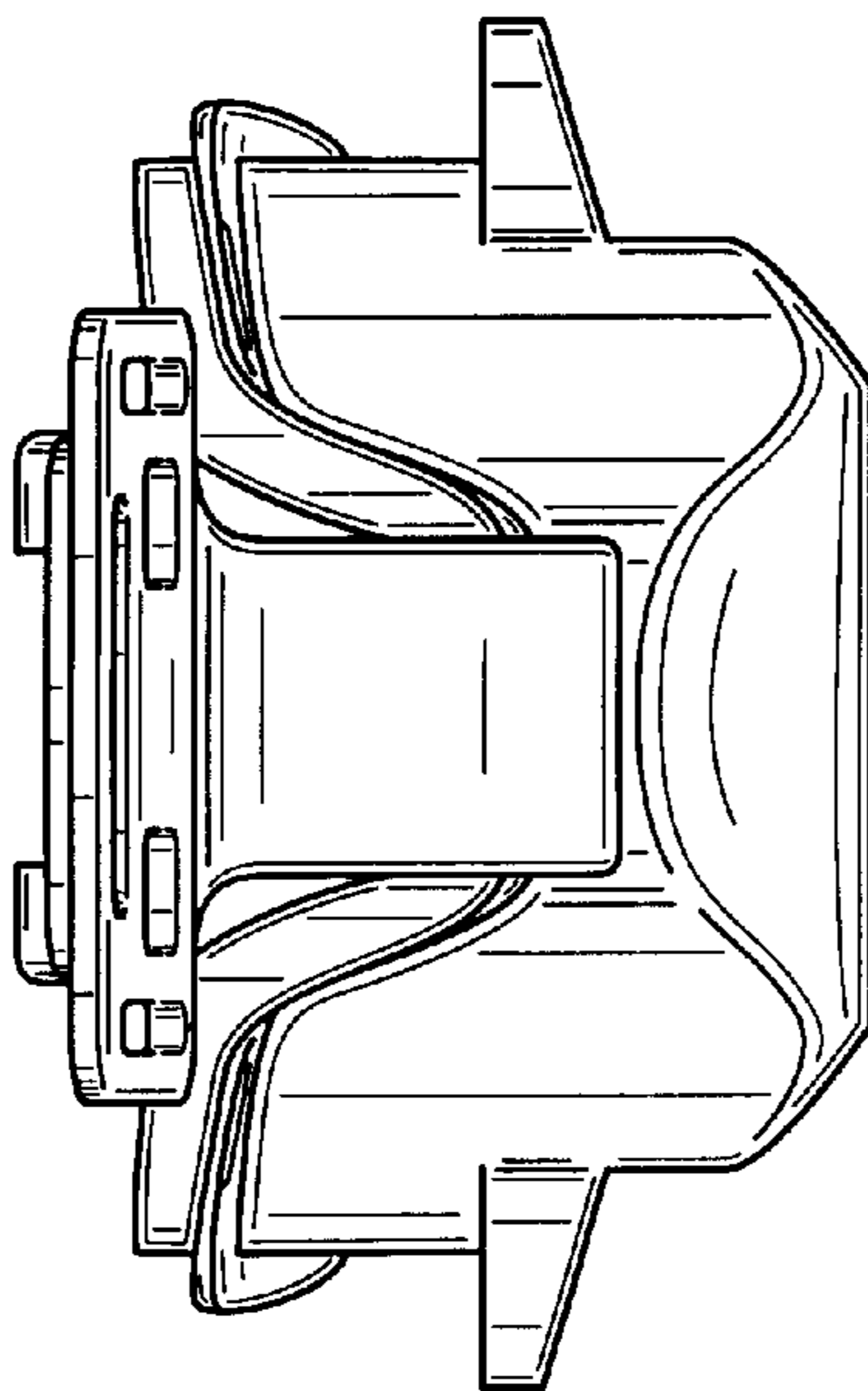


FIG. 6