



US00D468420S

(12) **United States Design Patent**
Bolmsjo

(10) **Patent No.:** **US D468,420 S**

(45) **Date of Patent:** **** Jan. 7, 2003**

(54) **CABINET FOR MEDICAL ARTICLES**

(75) Inventor: **Magnus Bolmsjo, Lund (SE)**

(73) Assignee: **Prostalund Operations AB (SE)**

(**) Term: **14 Years**

(21) Appl. No.: **29/108,290**

(22) Filed: **Jul. 23, 1999**

(30) **Foreign Application Priority Data**

Jan. 26, 1999 (SE) 99-0161

(51) **LOC (7) Cl.** **24-01**

(52) **U.S. Cl.** **D24/107; D24/108; D24/144;**
D24/176

(58) **Field of Search** D4/108, 185, 186;
D24/144, 176, 111, 108; 604/332, 4, 19,
93, 66, 132; 600/103, 104, 562

(56) **References Cited**

U.S. PATENT DOCUMENTS

D319,308 S * 8/1991 Royse et al. D24/185
D332,855 S * 1/1993 Royse et al. D24/185

D352,106 S * 11/1994 Fanney et al. D24/108
D389,917 S * 1/1998 Hornback et al. D24/186
5,919,154 A * 7/1999 Toavs et al. D24/108
D438,952 S * 3/2001 Cimino et al. D24/107
D439,388 S * 3/2001 Drew D24/185

* cited by examiner

Primary Examiner—Ian Simmons

(74) *Attorney, Agent, or Firm*—Mathews, Collins,
Shepherd & McKay

(57) **CLAIM**

The ornamental design for a cabinet for medical articles, as shown and described.

DESCRIPTION

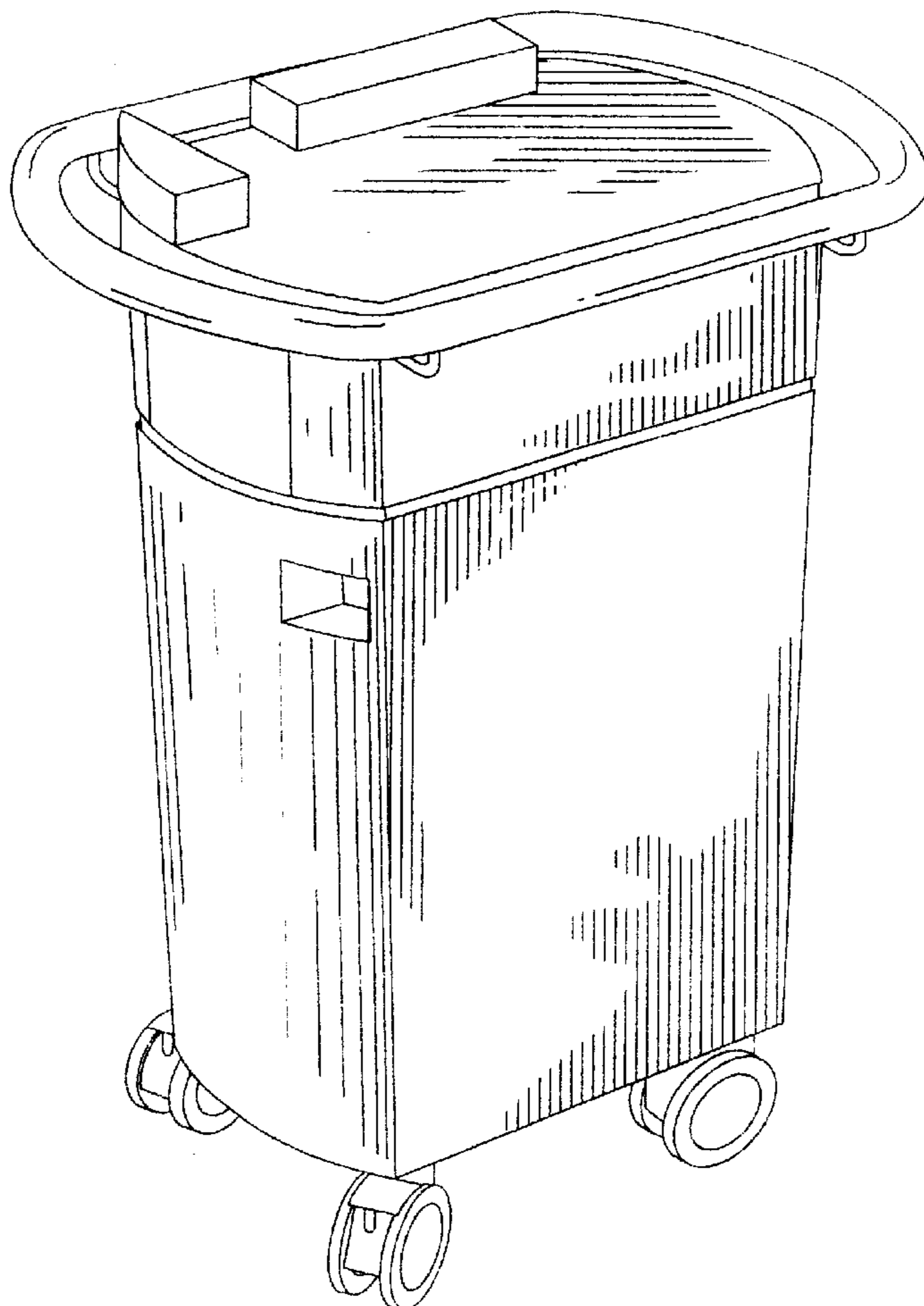
FIG. 1 is a front, top and side perspective view of a first embodiment of a cabinet for medical articles, showing my new design;

FIG. 2 is a view similar to FIG. 1, showing a cabinet drawer in an open position;

FIG. 3 is a rear and side perspective view thereof; and,

FIG. 4 is a bottom plan view thereof.

1 Claim, 4 Drawing Sheets



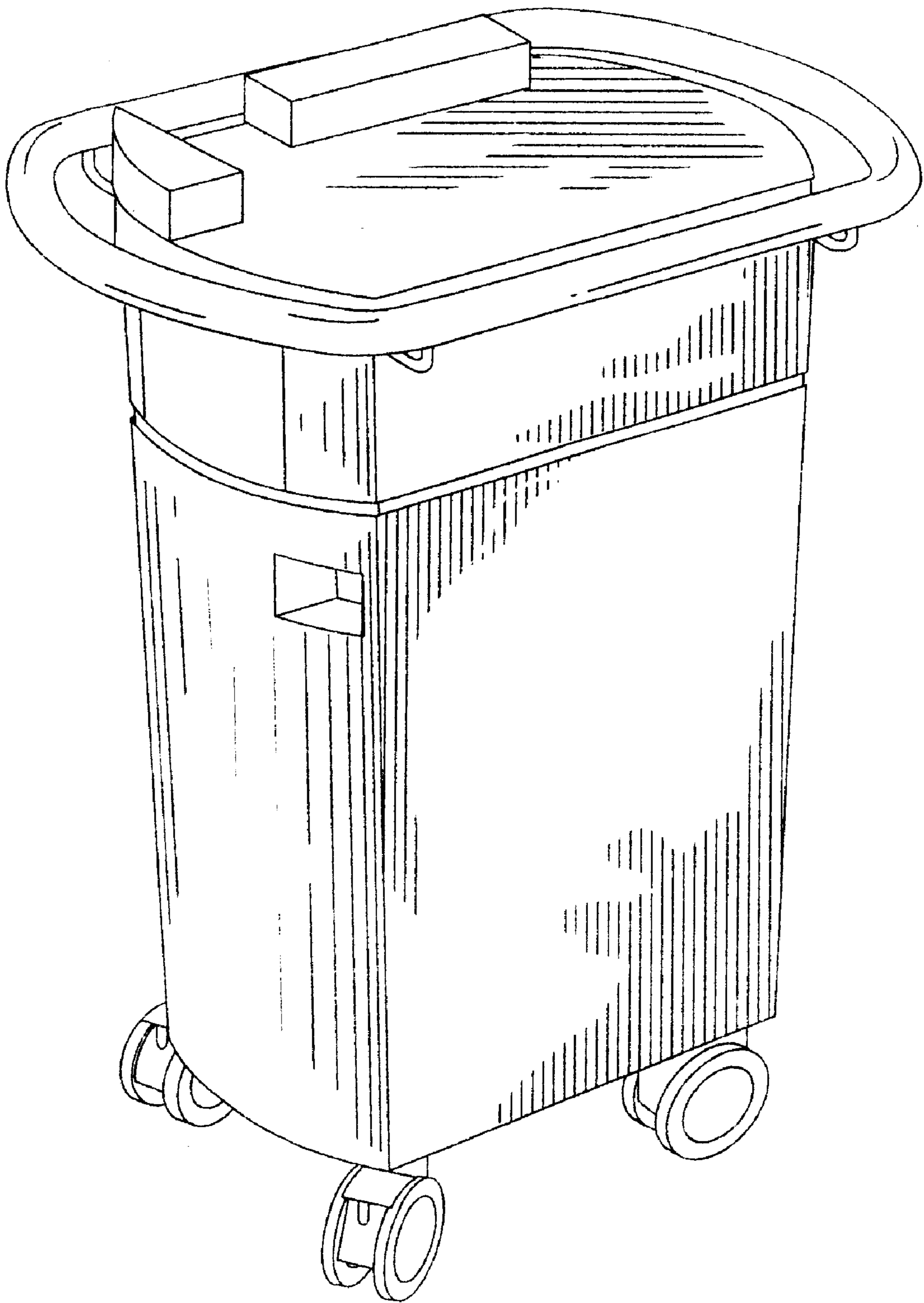


FIG. 1.

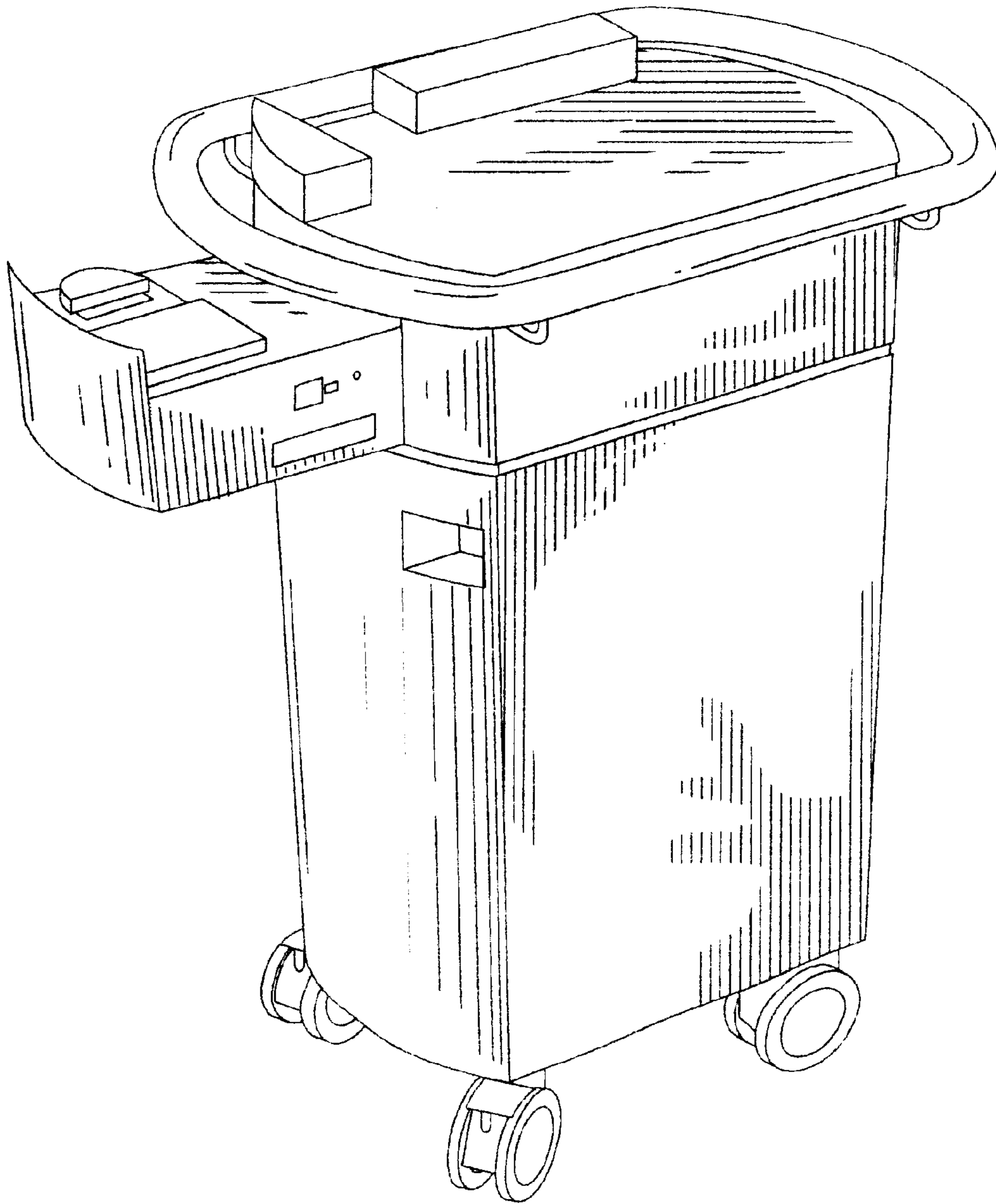


FIG. 2.

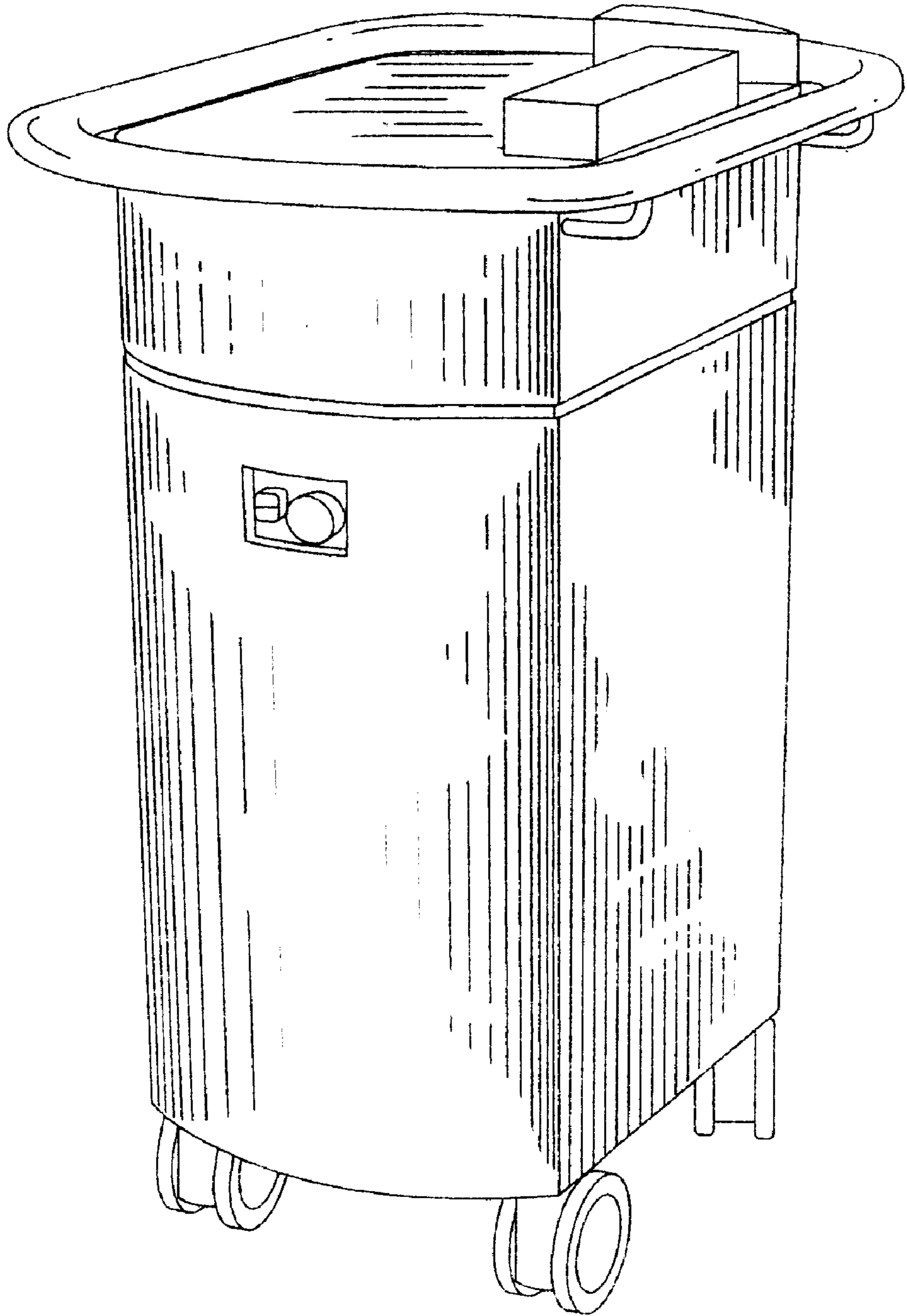


FIG. 3.

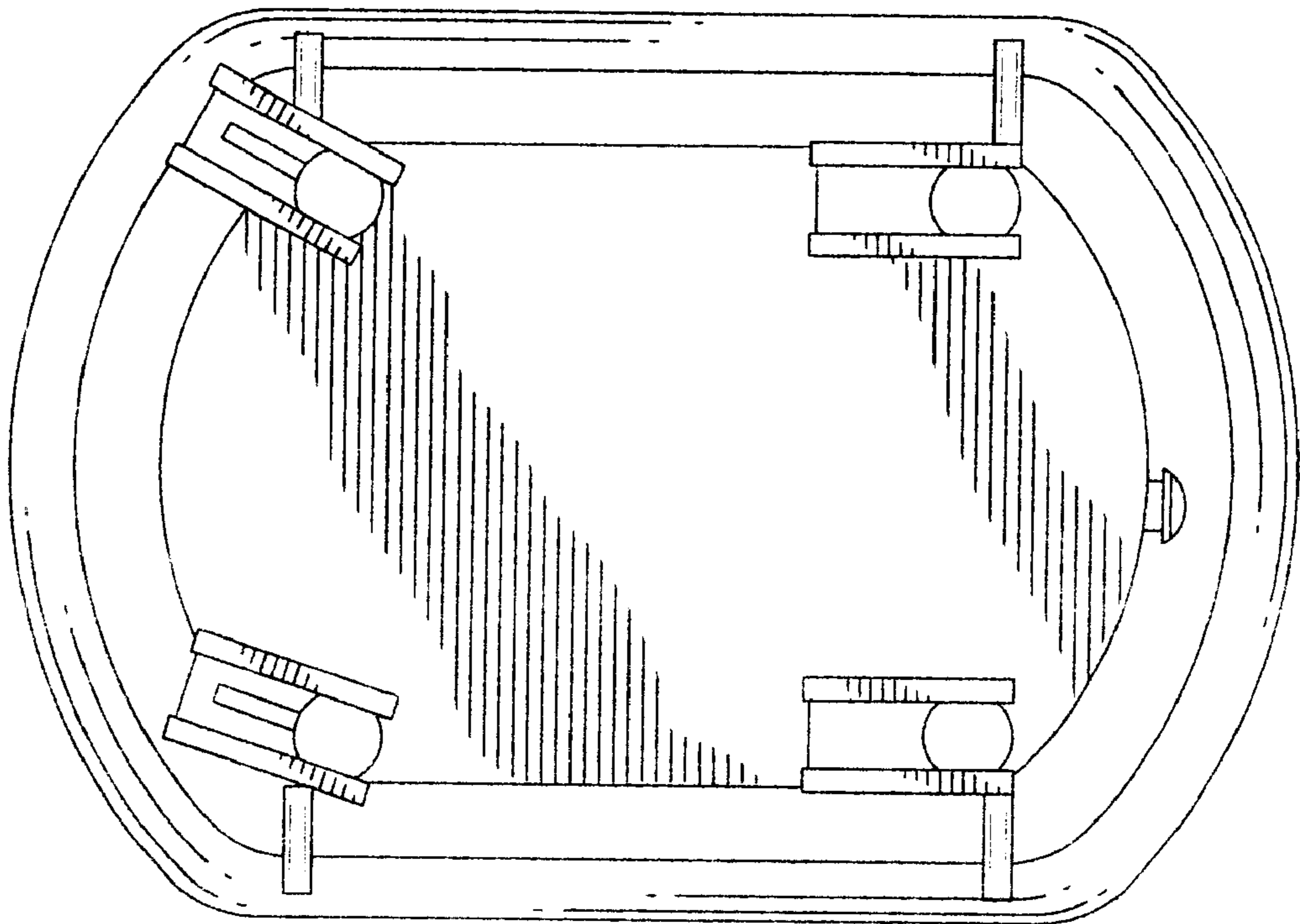


FIG. 4.