



US00D468417S

(12) **United States Design Patent**
Leutz et al.

(10) **Patent No.:** **US D468,417 S**

(45) **Date of Patent:** **** Jan. 7, 2003**

(54) **VENT**
(75) Inventors: **Walter Leutz**, Eberbach (DE); **Hannes Wolf**, Buchen (DE)

(73) Assignee: **Aurora Konrad G. Schulz GmbH & Co.** (DE)

(**) Term: **14 Years**

(21) Appl. No.: **29/147,079**

(22) Filed: **Aug. 21, 2001**

(30) **Foreign Application Priority Data**

Feb. 21, 2001 (DE) 4 01 01 948

(51) **LOC (7) Cl.** **23-04**

(52) **U.S. Cl.** **D23/393; D23/392**

(58) **Field of Search** D23/324-327,
D23/385-393; 49/74.1, 77.1, 80.1, 82.1,
87.1, 50-57; 52/473; 454/155, 245-248,
284, 289, 290, 299, 303, 304, 306, 309,
313-317, 319, 320, 322-327, 330-336

(56) **References Cited**

U.S. PATENT DOCUMENTS

3,680,470 A * 8/1972 Neece 454/313

3,683,787 A * 8/1972 Cary 454/317
3,735,691 A * 5/1973 Gofton et al. 454/319
D285,480 S * 9/1986 Schulz D23/392 X
D307,632 S * 5/1990 Schulz D23/392
D413,665 S * 9/1999 Hudson D23/393

* cited by examiner

Primary Examiner—Ted Shooman

Assistant Examiner—C Tuttle

(74) *Attorney, Agent, or Firm*—R W Becker & Associates;
R W Becker

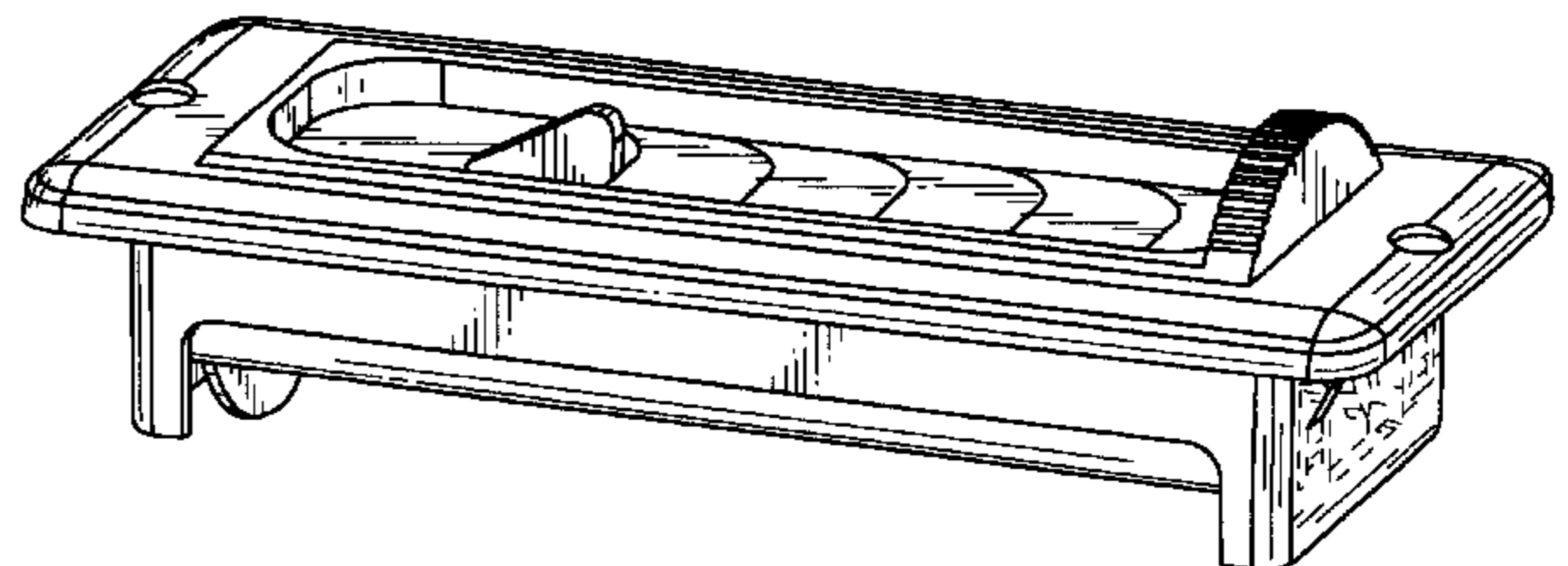
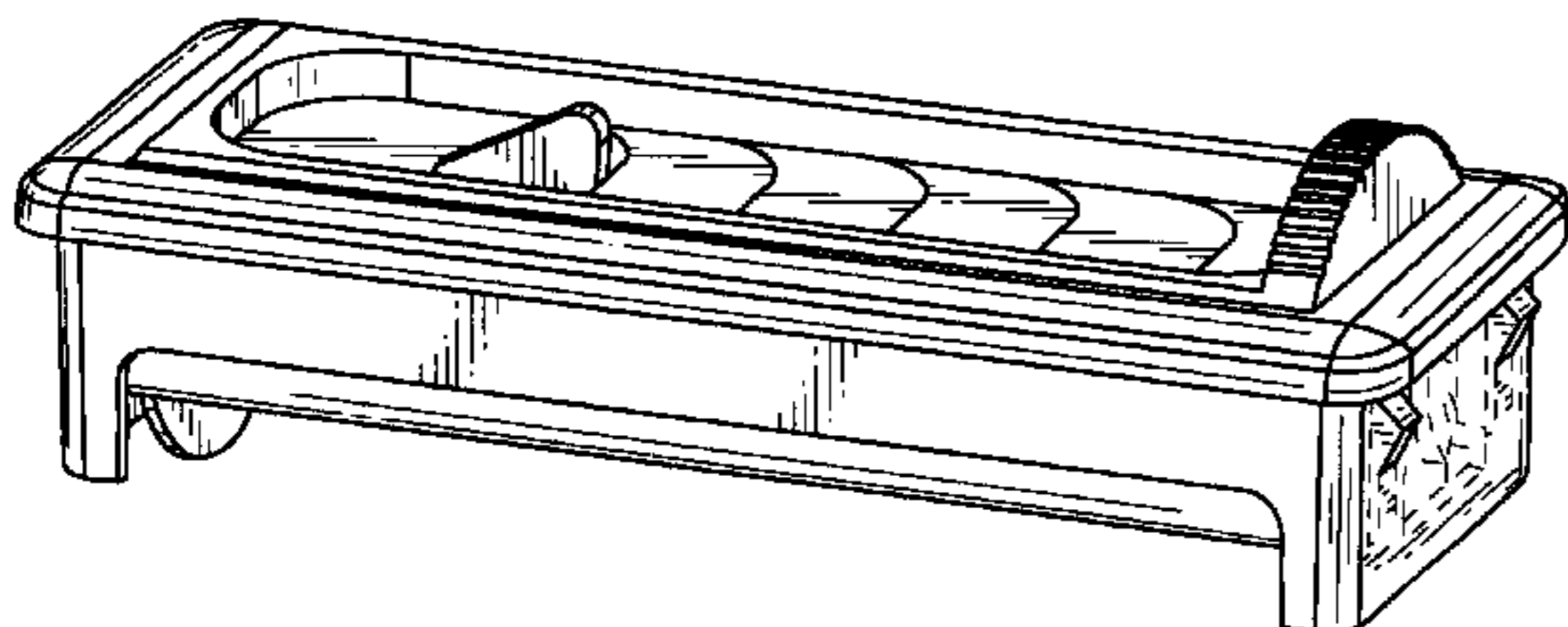
(57) **CLAIM**

The ornamental design for a vent, as shown and described.

DESCRIPTION

FIG. 1 is a side view showing one embodiment of our vent;
FIG. 2 is a top view thereof;
FIG. 3 is an end view thereof;
FIG. 4 is a perspective view thereof;
FIG. 5 is a side view showing a second embodiment of our
vent;
FIG. 6 is a top view thereof;
FIG. 7 is an end view thereof; and,
FIG. 8 is a perspective view thereof.

1 Claim, 4 Drawing Sheets



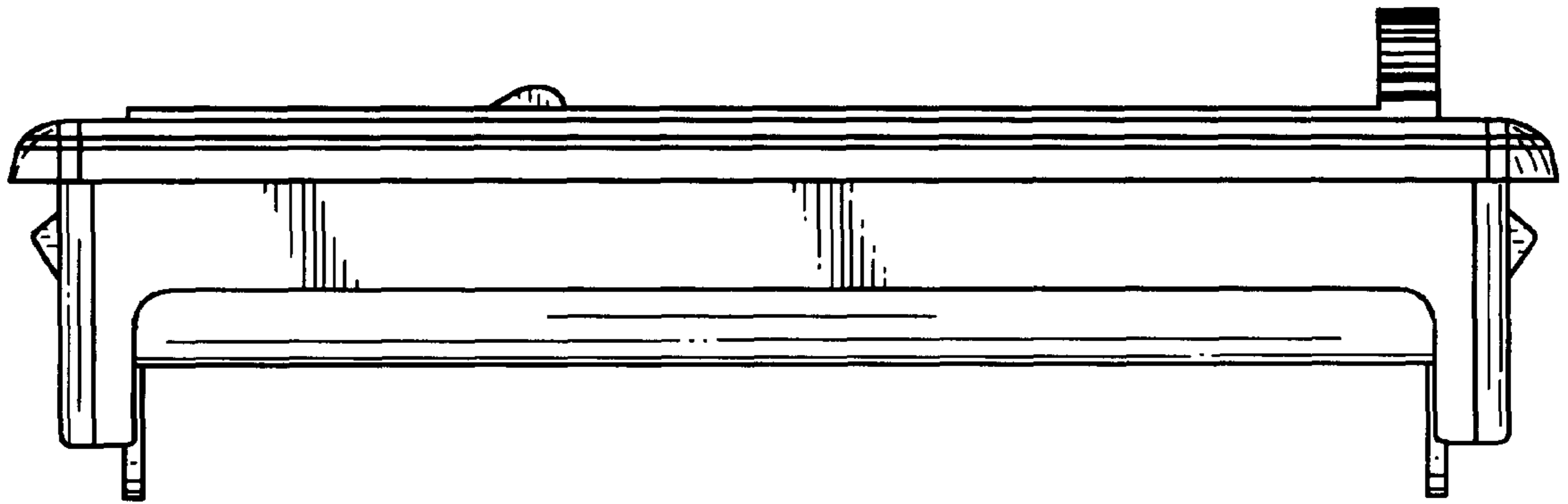


FIG. 1

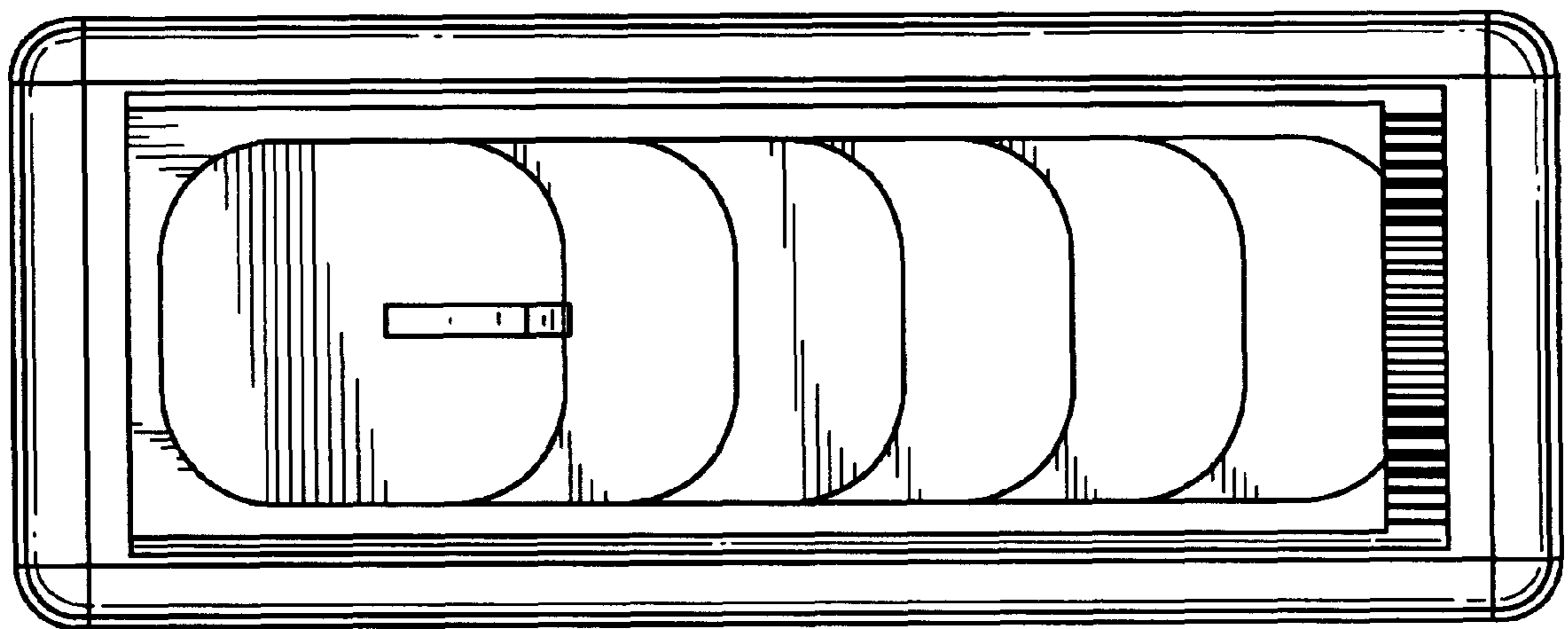


FIG. 2

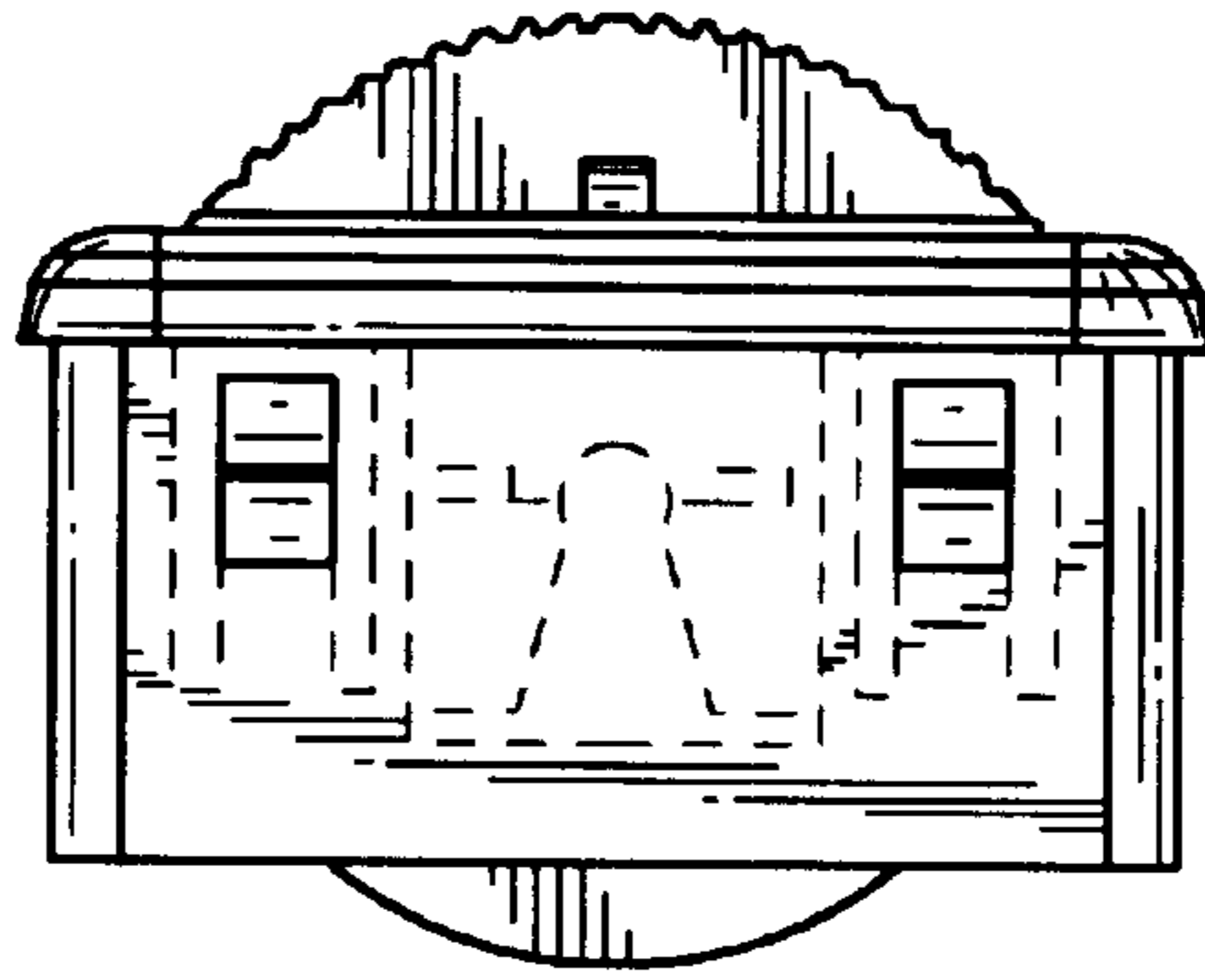


FIG. 3

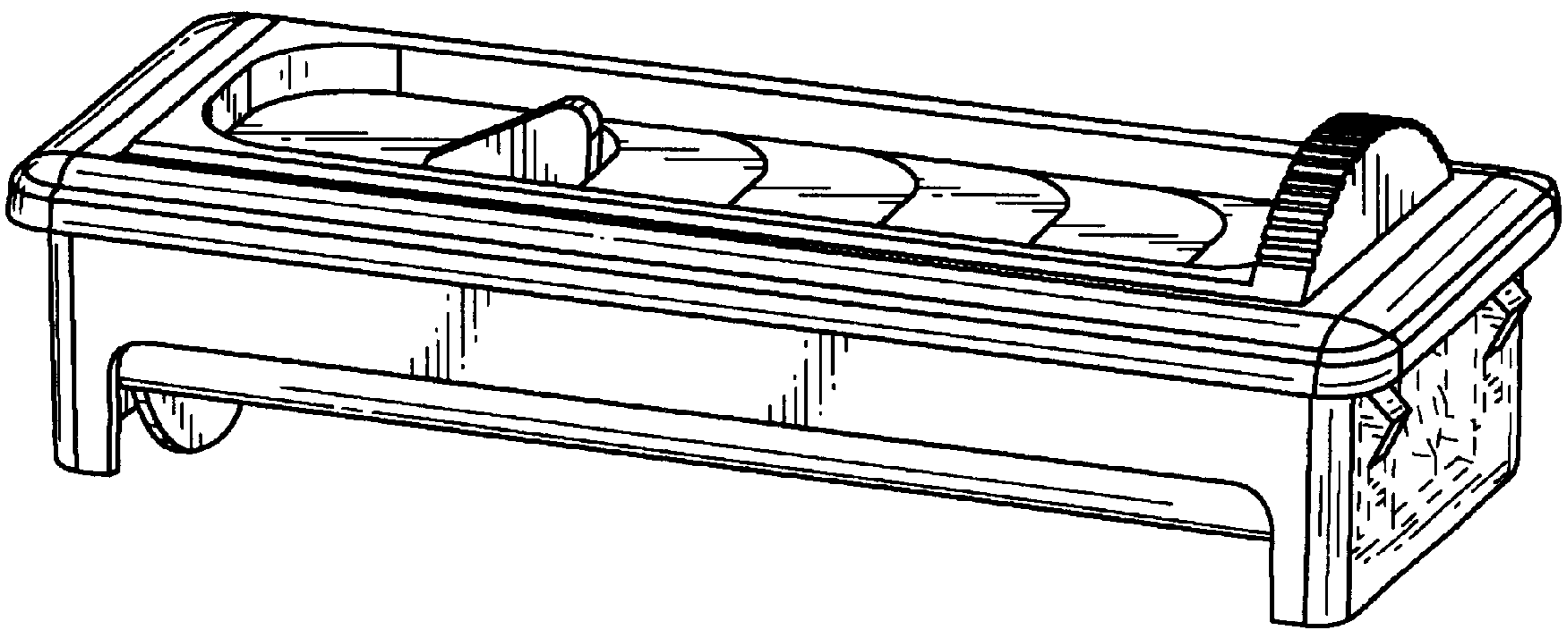


FIG. 4

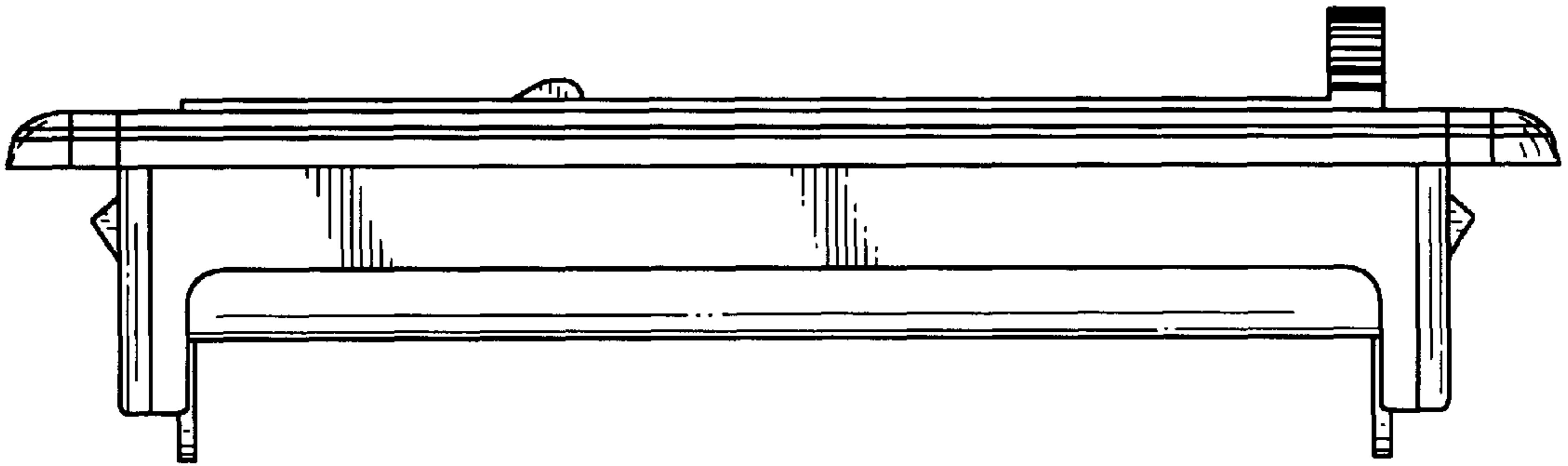


FIG. 5

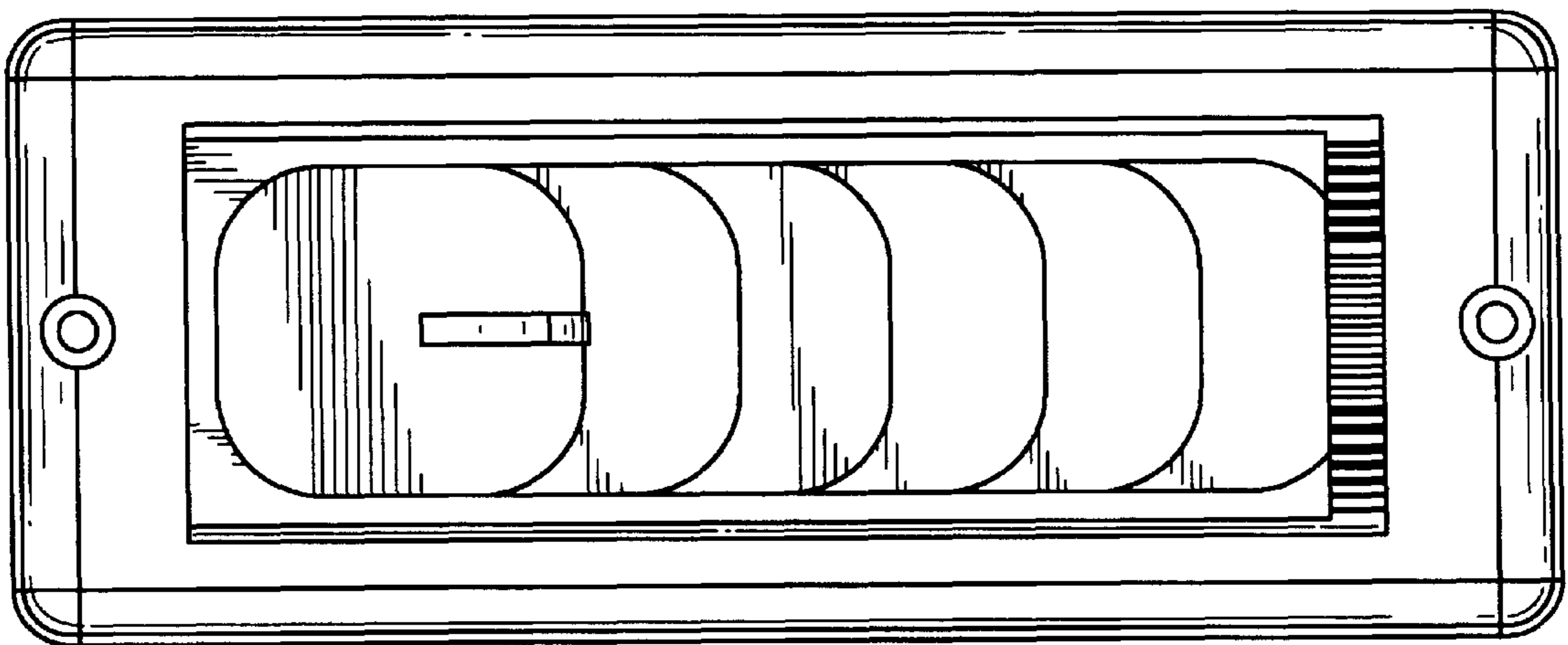


FIG. 6

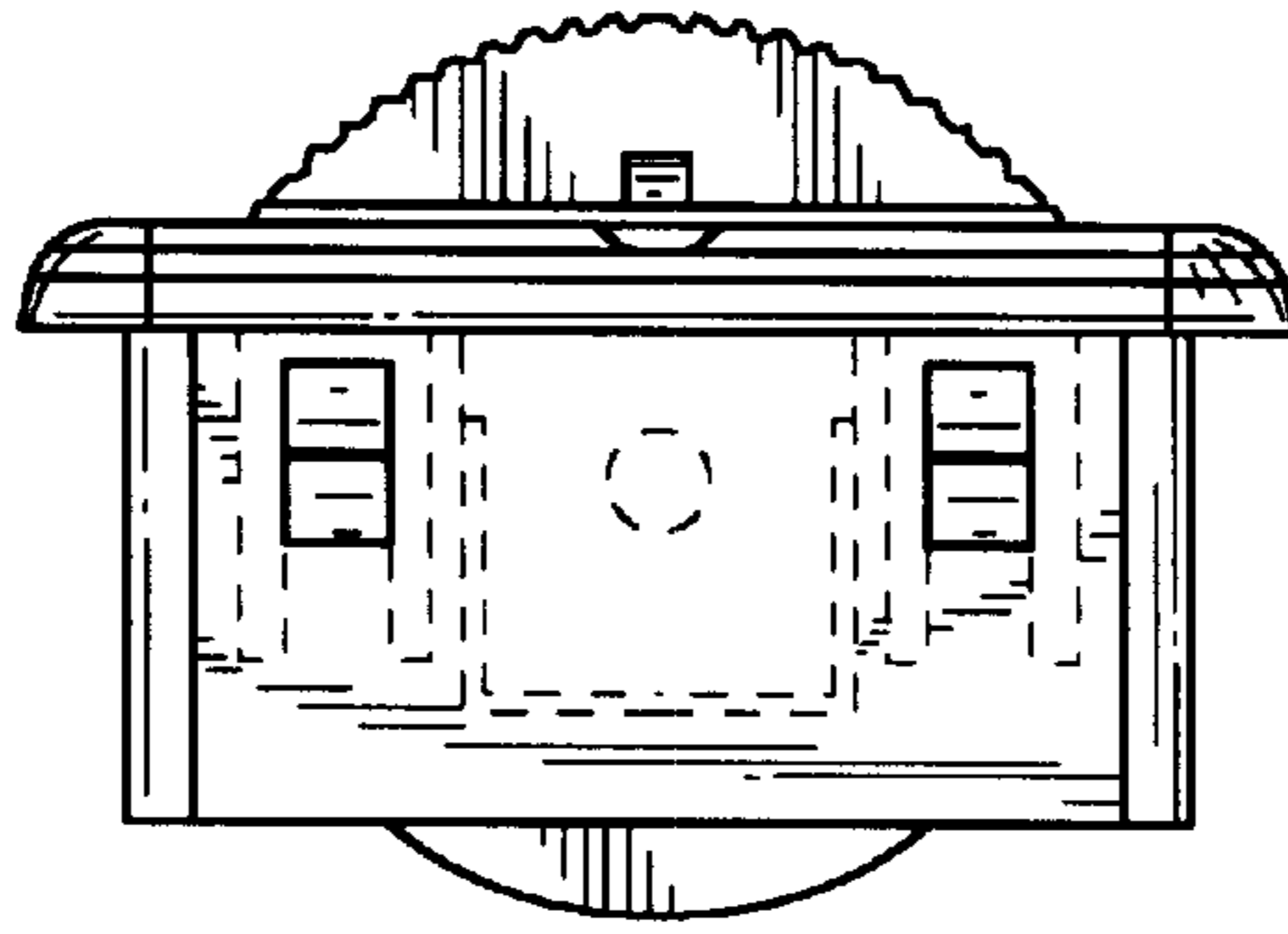


FIG. 7

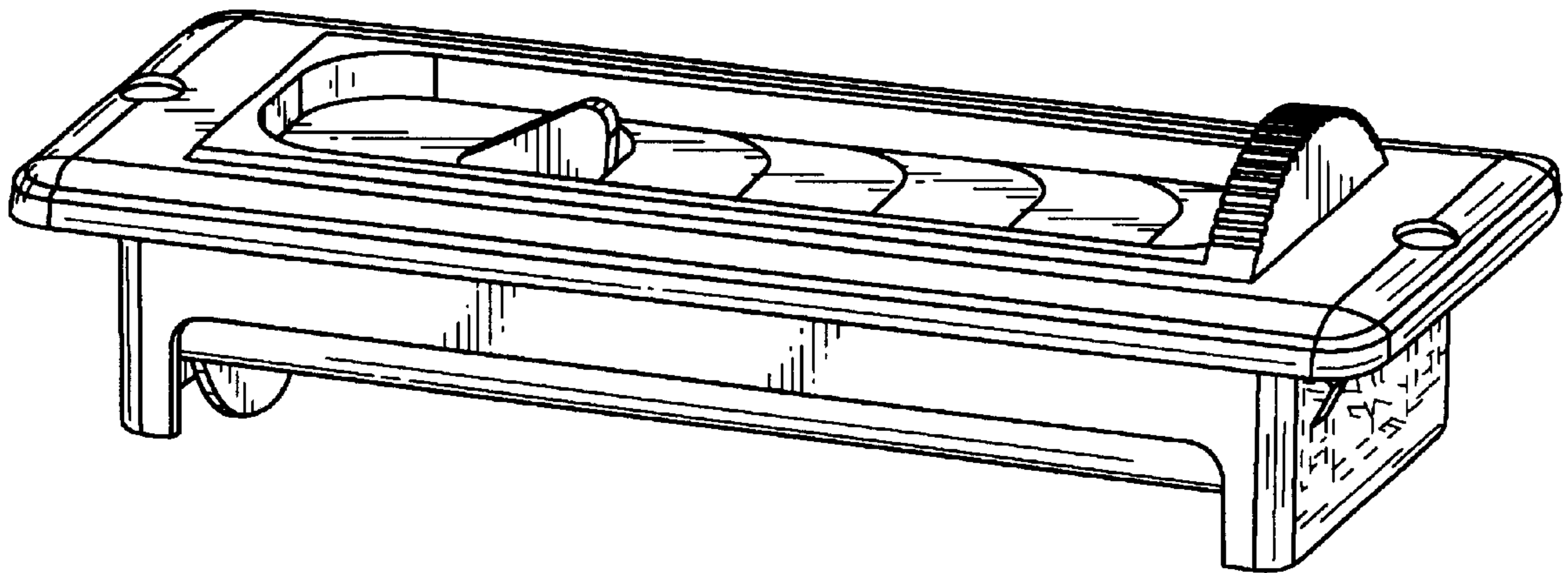


FIG. 8