



US00D468412S

(12) **United States Design Patent**  
**Piano**

(10) **Patent No.:** **US D468,412 S**

(45) **Date of Patent:** **\*\* Jan. 7, 2003**

(54) **BIDET**

D355,711 S \* 2/1995 Nagato ..... D23/300

(75) **Inventor:** **Matteo Piano**, Genoa (IT)

**OTHER PUBLICATIONS**

(73) **Assignee:** **American Standard International Inc.**, New York, NY (US)

American Standard Product Selection & Pricing Guide, Fixtures, LP-93-1: Afwall EL 1.3 toilet, p 129; Afwall EL 1.6 elongatged toilet p 129A; Instanto EL 3.5# toilet, p 130. Jan., 1993.\*

(\*\*) **Term:** **14 Years**

\* cited by examiner

(21) **Appl. No.:** **29/138,775**

*Primary Examiner*—Louis S. Zarfaz

(22) **Filed:** **Mar. 20, 2001**

*Assistant Examiner*—Robert A. Delehanty

(30) **Foreign Application Priority Data**

(57) **CLAIM**

Sep. 29, 2000 (IT) ..... RE0000012

The ornamental design for a bidet, as shown and described.

(51) **LOC (7) Cl.** ..... **23-02**

**DESCRIPTION**

(52) **U.S. Cl.** ..... **D23/300**

(58) **Field of Search** ..... D23/271-272,  
D23/295-300, 303, 309; 4/663, 300, 300.3,  
420, 420.2, 420.3, 443, 446, 252.2, 902,  
DIG. 15

FIG. 1 is a side elevational view of a bidet showing my new design;

FIG. 2 is a front elevational view;

FIG. 3 is a top plan view;

FIG. 4 is a bottom plan view; and,

FIG. 5 is a left front perspective view thereof.

The broken lines which define the bounds of the claimed design form no part thereof.

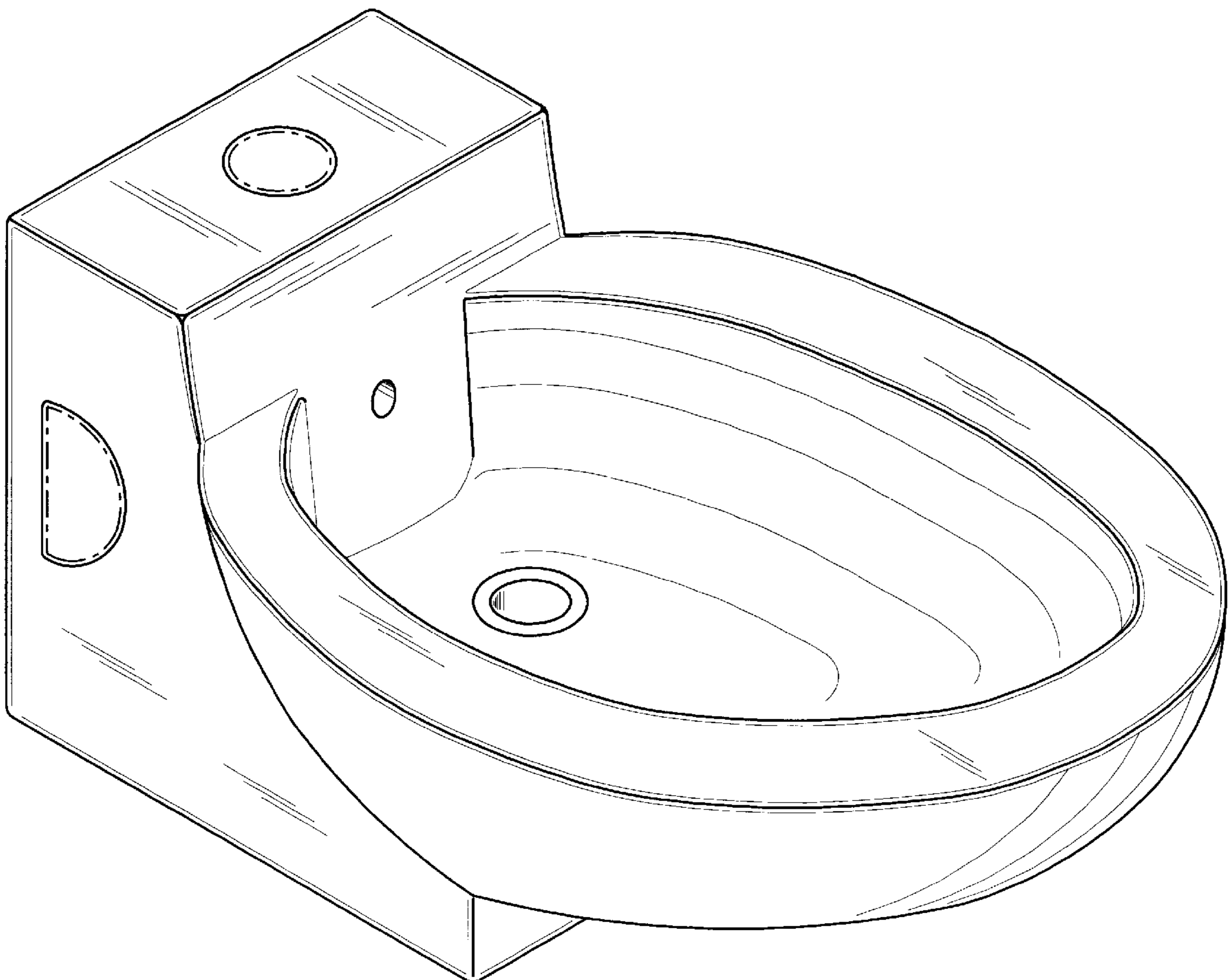
(56) **References Cited**

**U.S. PATENT DOCUMENTS**

D187,365 S \* 3/1960 Young ..... D23/300

D252,040 S \* 6/1979 Morris et al. .... D23/274

**1 Claim, 5 Drawing Sheets**



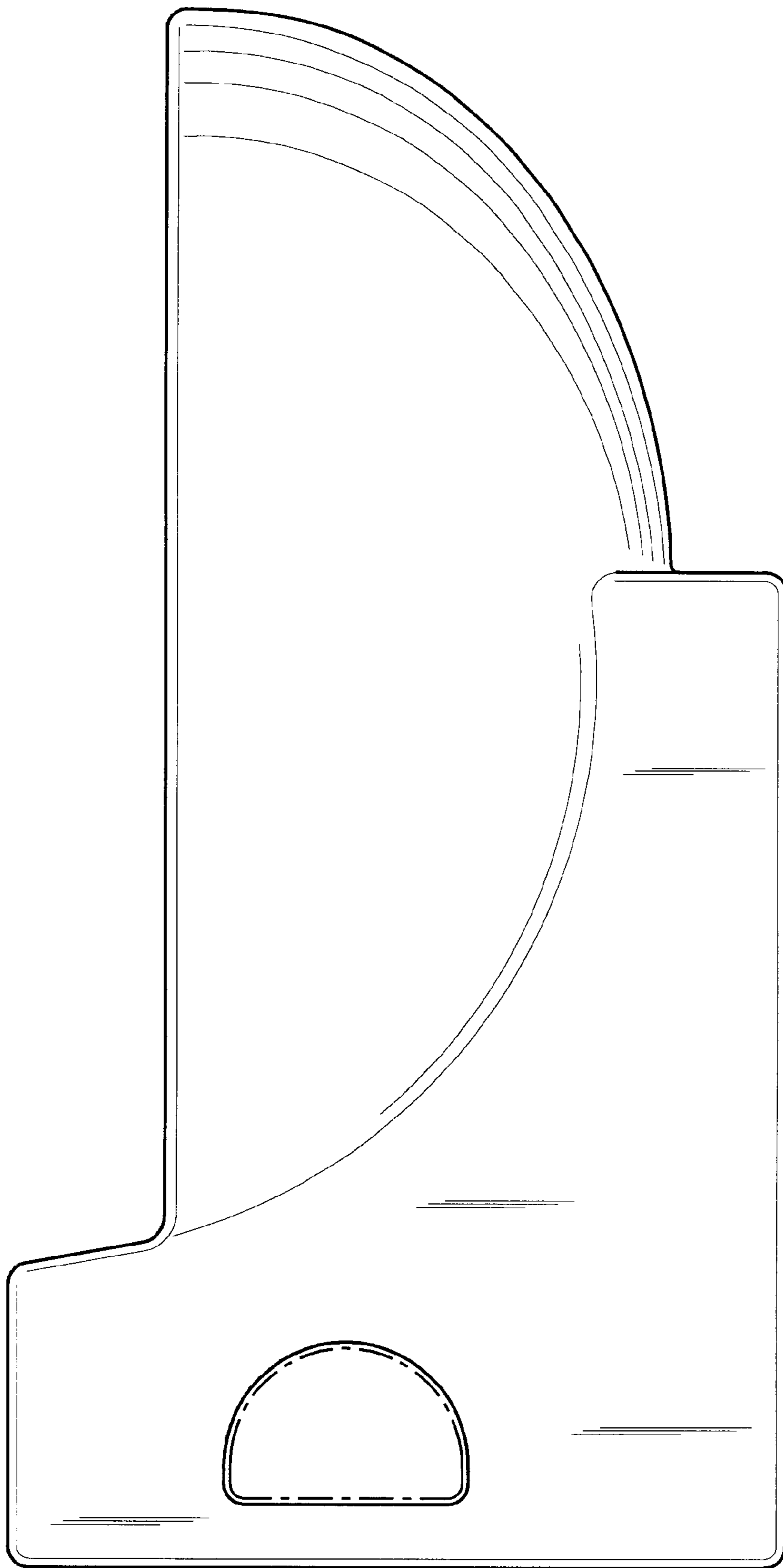


FIG. 1

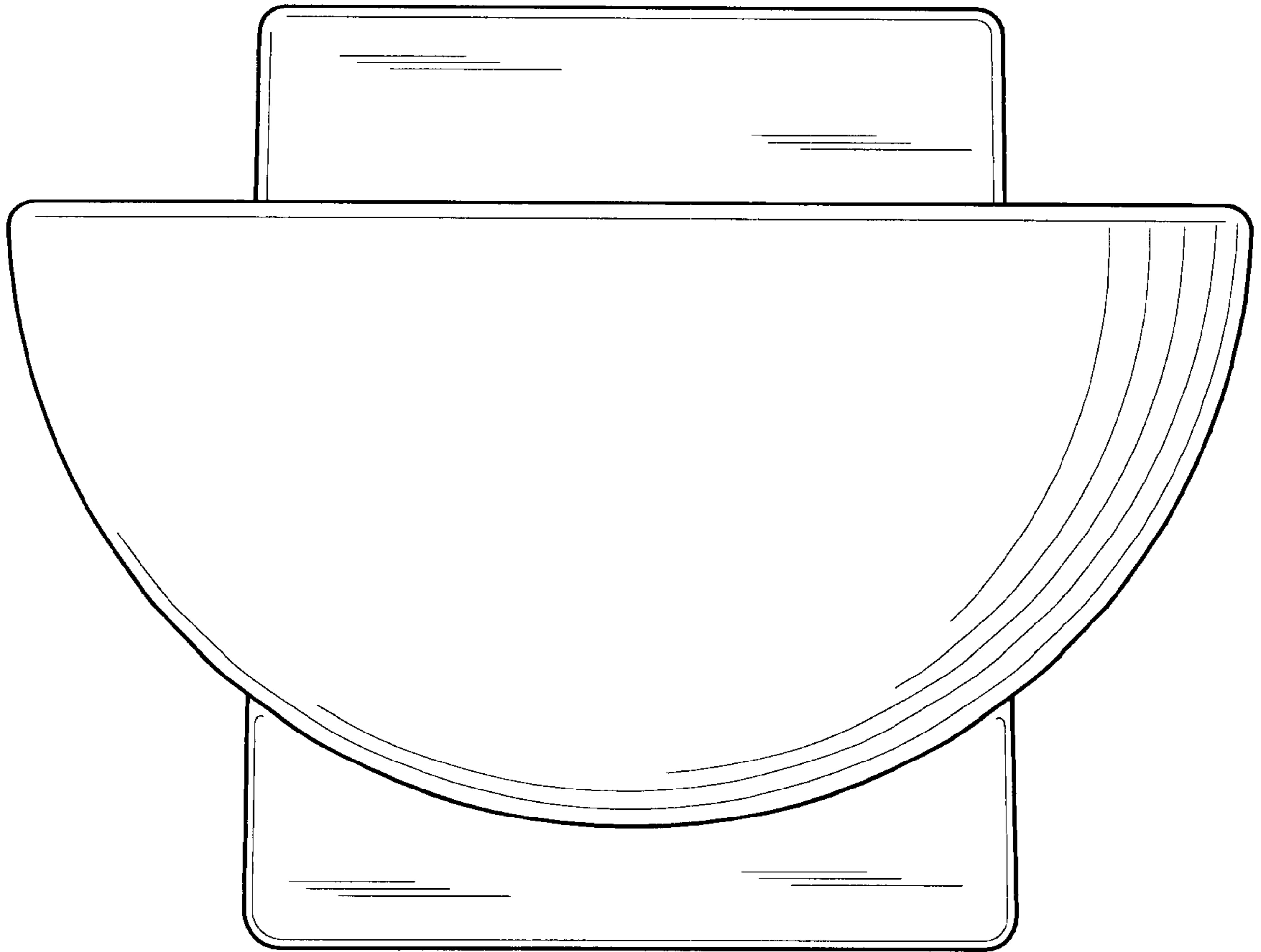


FIG. 2

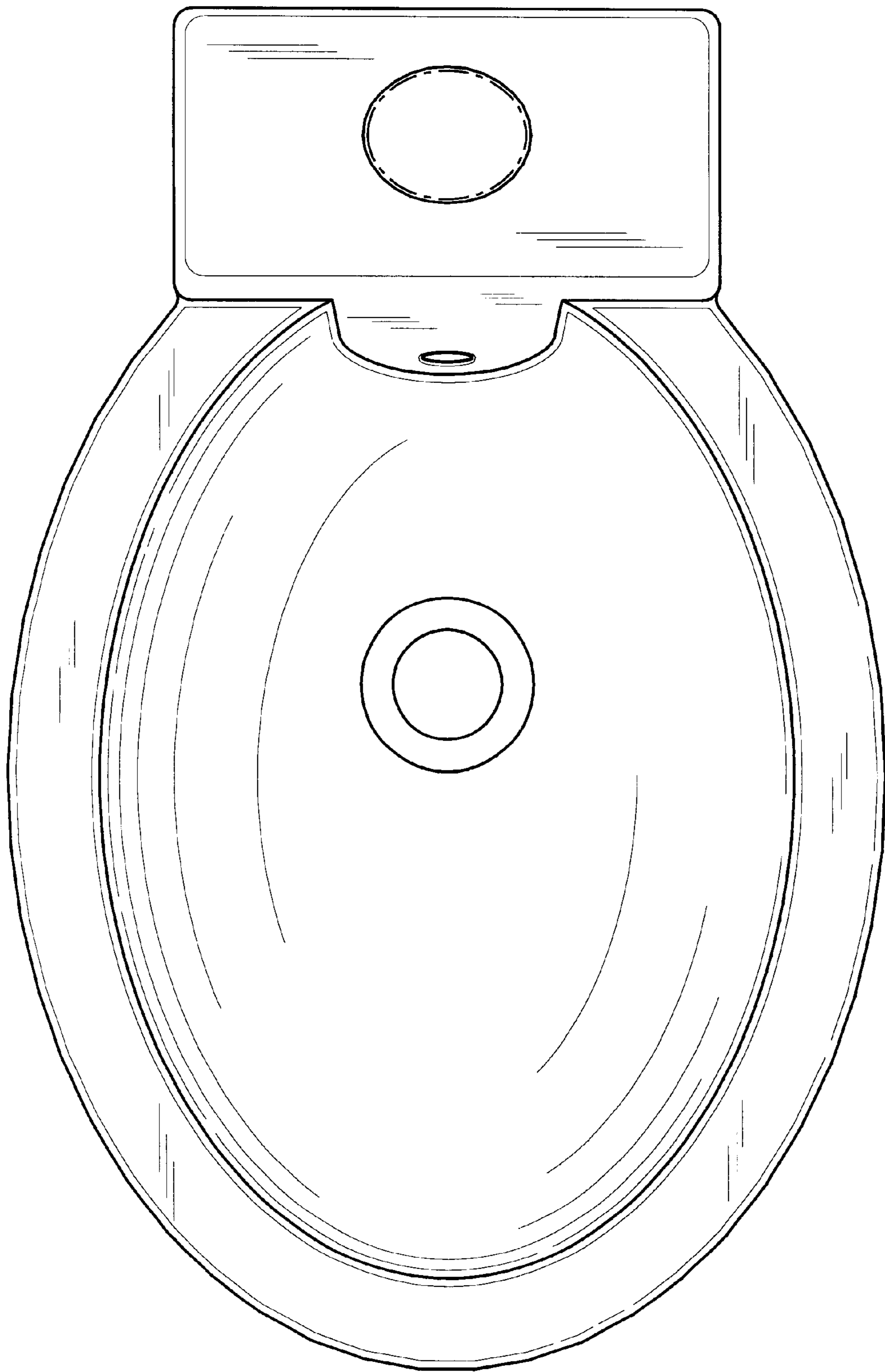


FIG. 3

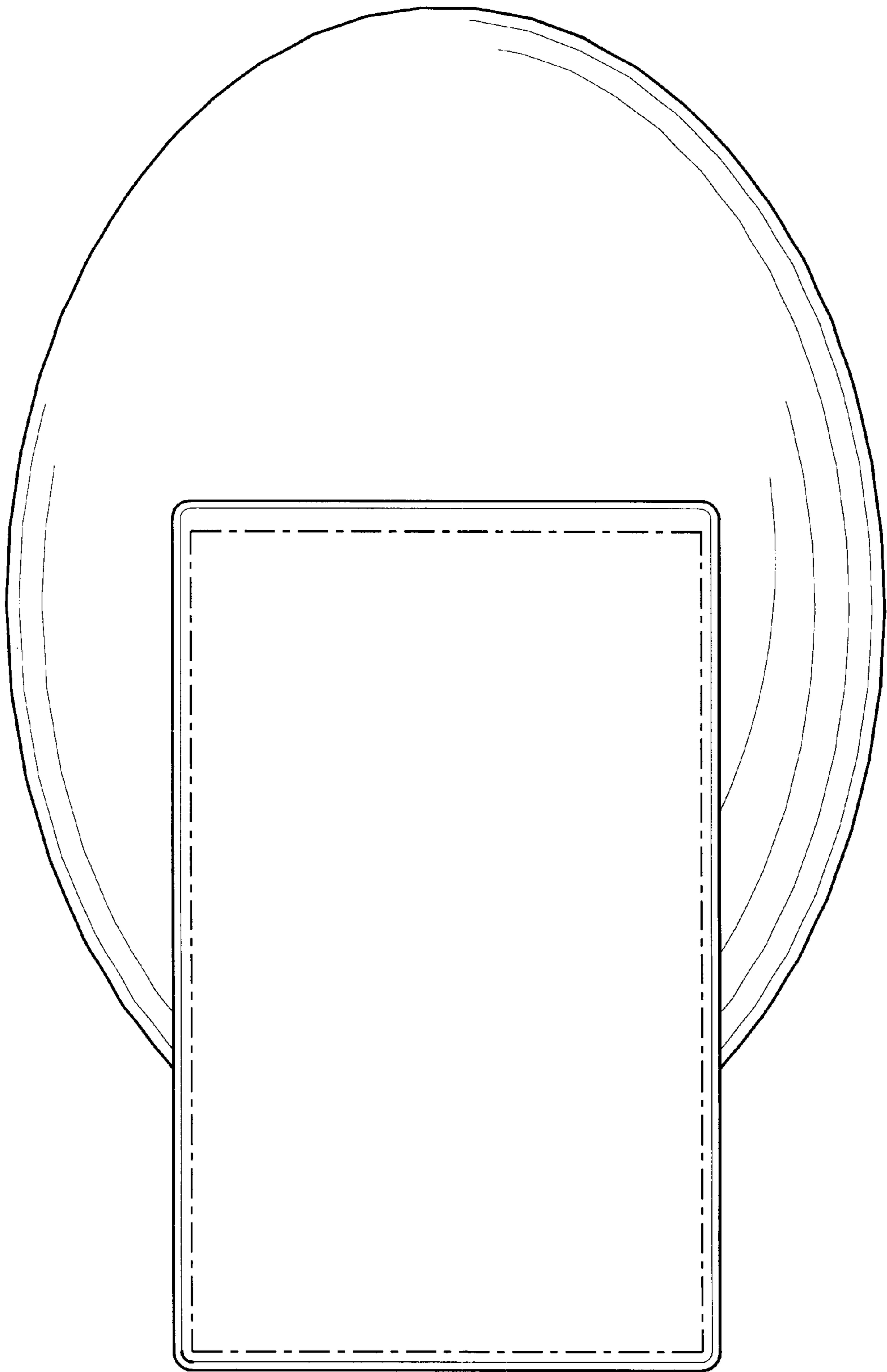


FIG. 4

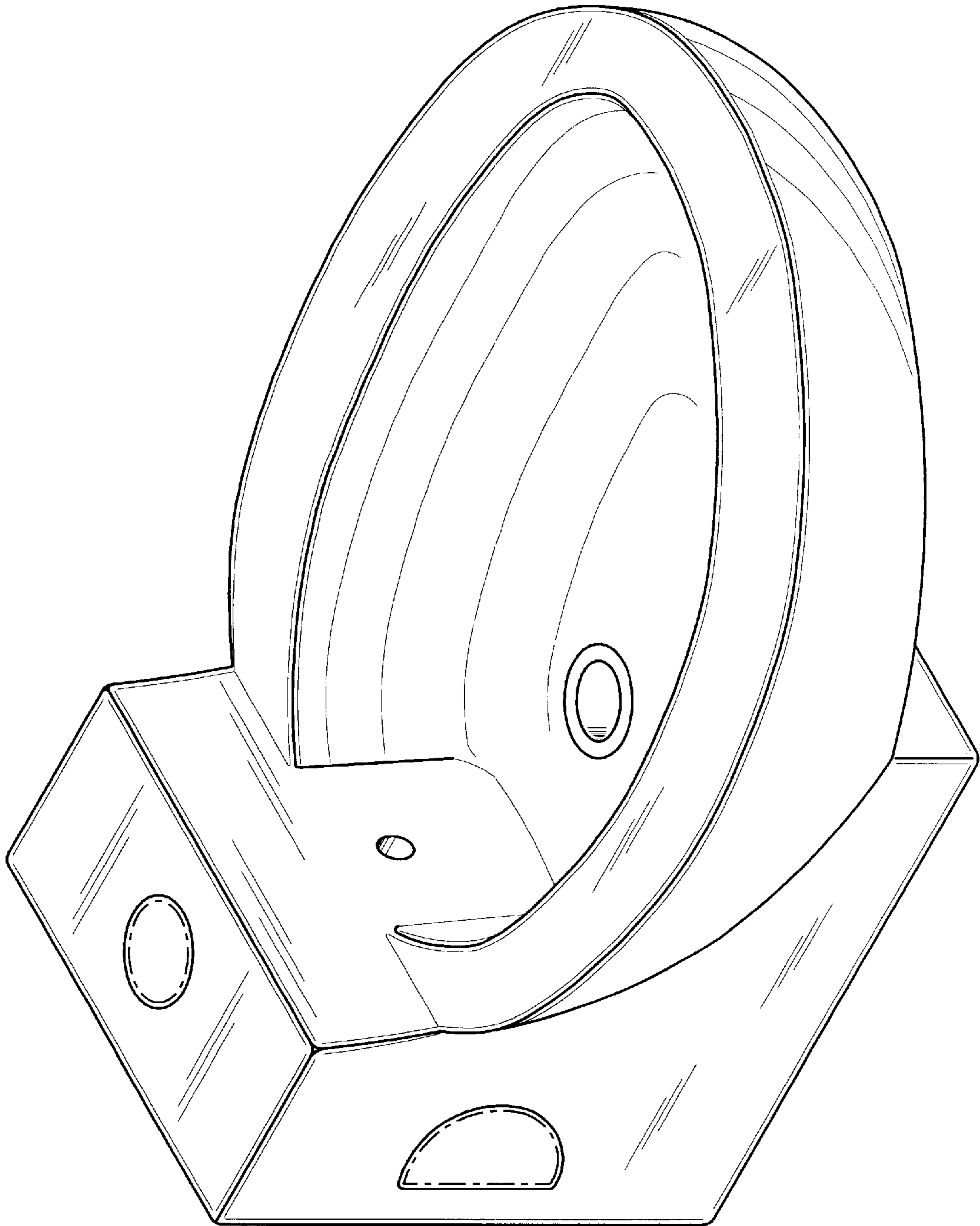


FIG. 5