



US00D468410S

(12) **United States Design Patent**  
**Hundley**

(10) **Patent No.:** **US D468,410 S**

(45) **Date of Patent:** **\*\* Jan. 7, 2003**

(54) **SPOUT**

(75) Inventor: **Jill E. Hundley**, Sheboygan, WI (US)

(73) Assignee: **Kohler, Co.**, Kohler, WI (US)

(\*\*) Term: **14 Years**

(21) Appl. No.: **29/144,714**

(22) Filed: **Jul. 9, 2001**

(51) **LOC (7) Cl.** ..... **23-01**

(52) **U.S. Cl.** ..... **D23/255**

(58) **Field of Search** ..... D23/238, 255,  
D23/239-254, 256, 257; 4/675-678; 137/801

(56) **References Cited**

**U.S. PATENT DOCUMENTS**

D255,595 S	*	6/1980	Lampe et al.	.....	D23/238
D331,275 S	*	11/1992	Knapp	.....	D23/238
D337,812 S	*	7/1993	Bray	.....	D23/238
D456,878 S	*	5/2002	Gottwald	.....	D23/238

**OTHER PUBLICATIONS**

1989 Kohler catalog ad, p. 3-8a, showing various lavatory faucets.

\* cited by examiner

*Primary Examiner*—Louis S. Zarfaz

*Assistant Examiner*—Gregory Andoll

(74) *Attorney, Agent, or Firm*—Quarles & Brady LLP

(57) **CLAIM**

The ornamental design for a spout, as shown and described.

**DESCRIPTION**

In a preferred embodiment, the nature of this product is as a spout for a plumbing fixture in the form of a faucet which is primarily useful for washing the body parts of humans.

FIG. 1 is a top, left, front perspective view of a spout embodying my new design;

FIG. 2 is a left side elevational view thereof, the right side elevational view being a mirror image of the left side shown;

FIG. 3 is a front elevational view thereof;

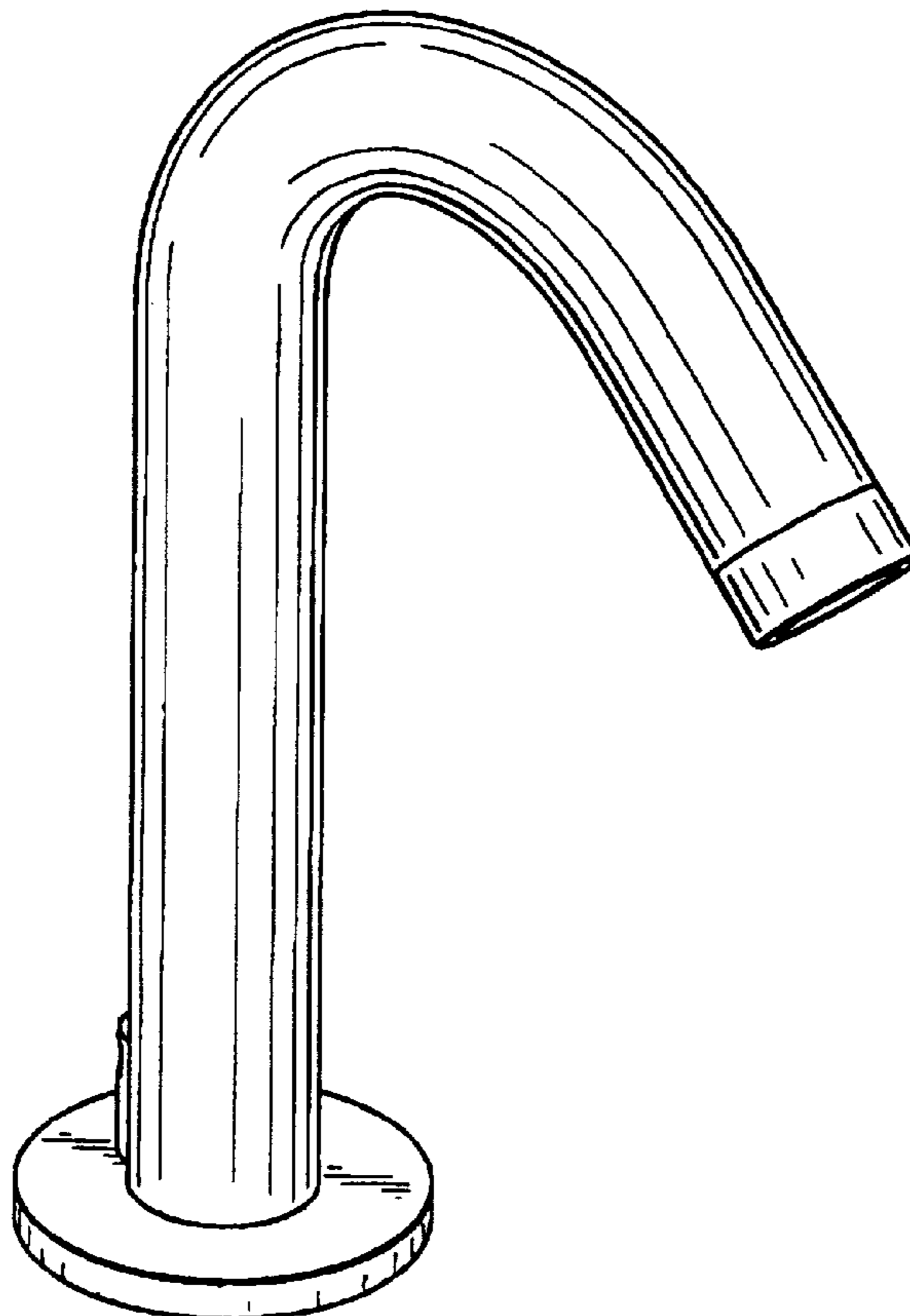
FIG. 4 is a rear elevational view thereof;

FIG. 5 is a top plan view thereof; and,

FIG. 6 is a bottom plan view thereof.

The broken line representation of mounting structure in FIG. 6 is for the purpose of illustration only, and forms no part of the claimed design.

**1 Claim, 2 Drawing Sheets**



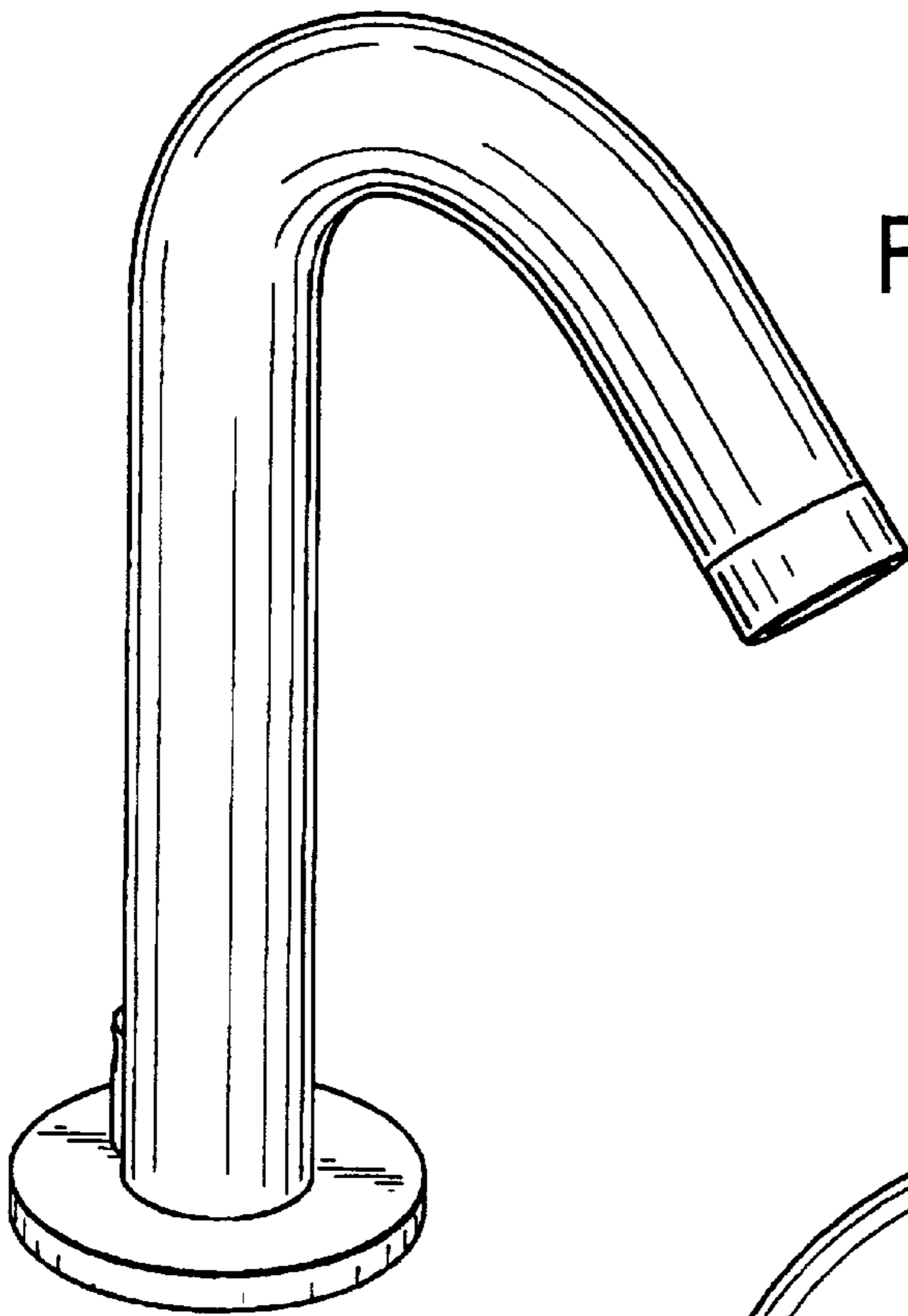


FIG. 1

FIG. 2

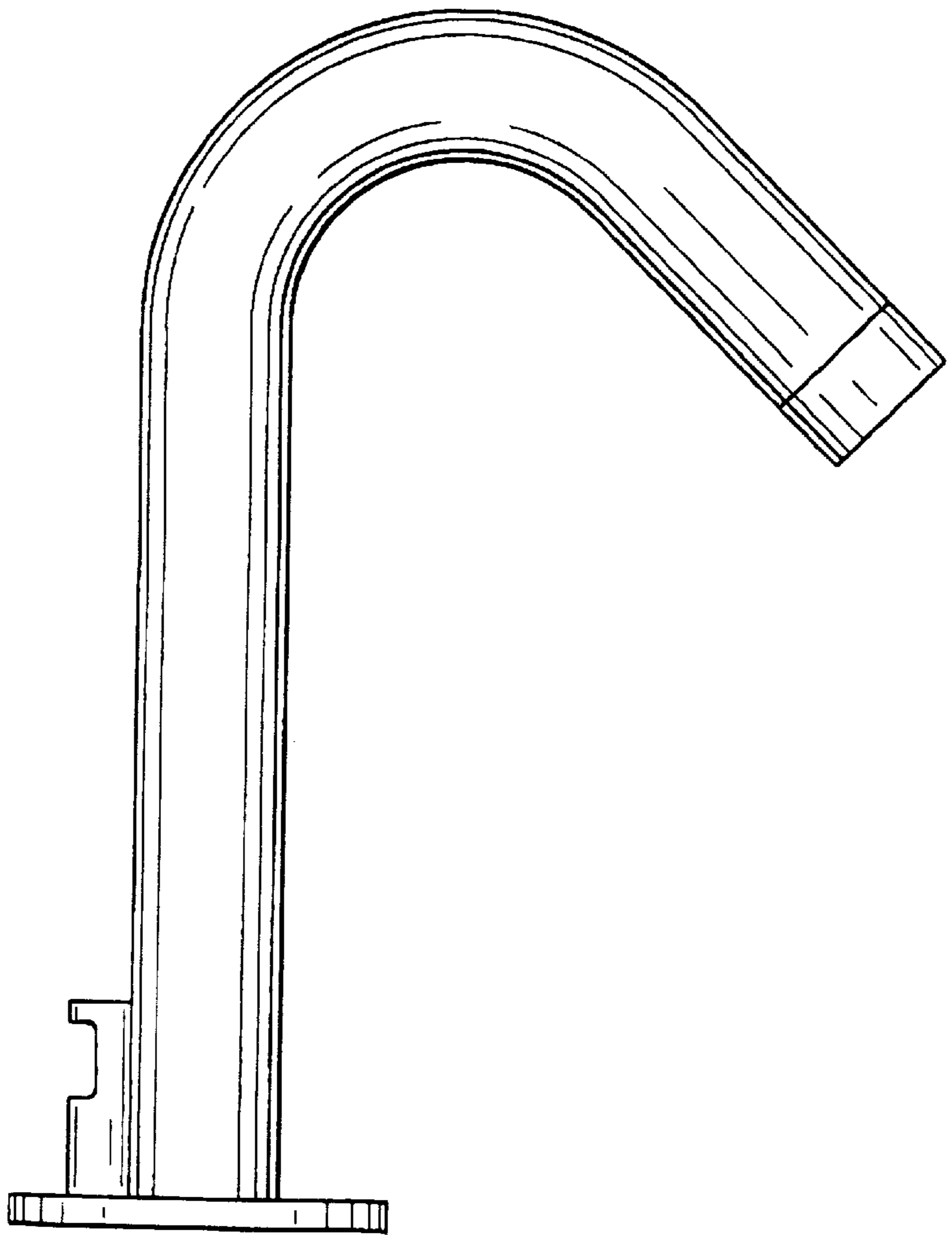


FIG. 3

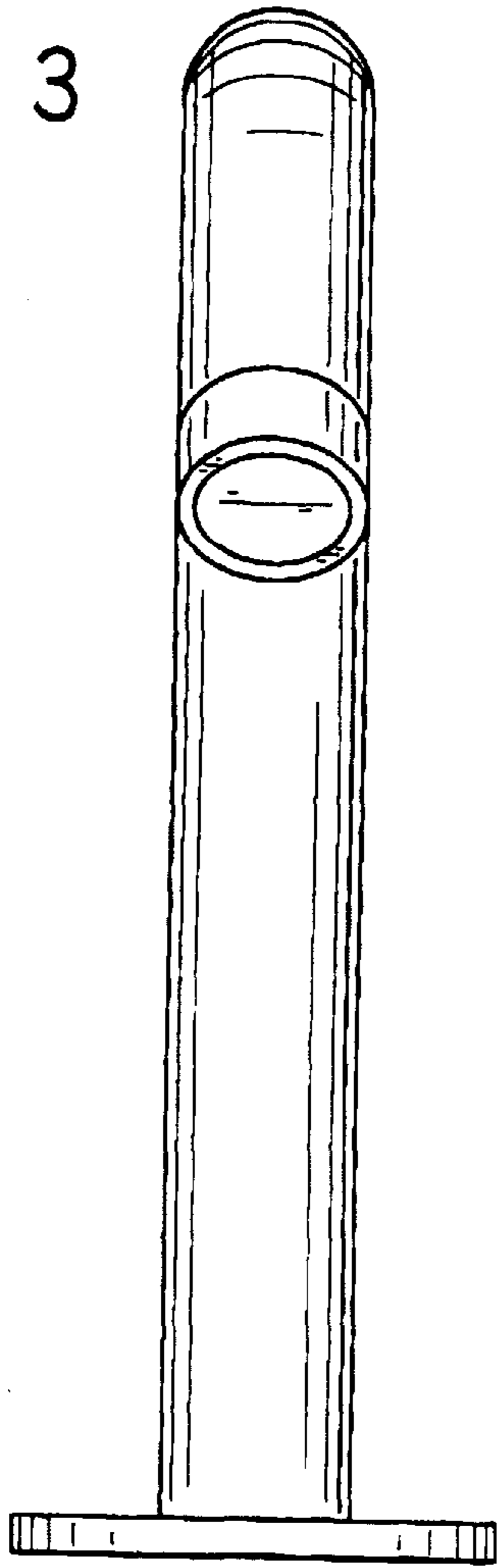


FIG. 4

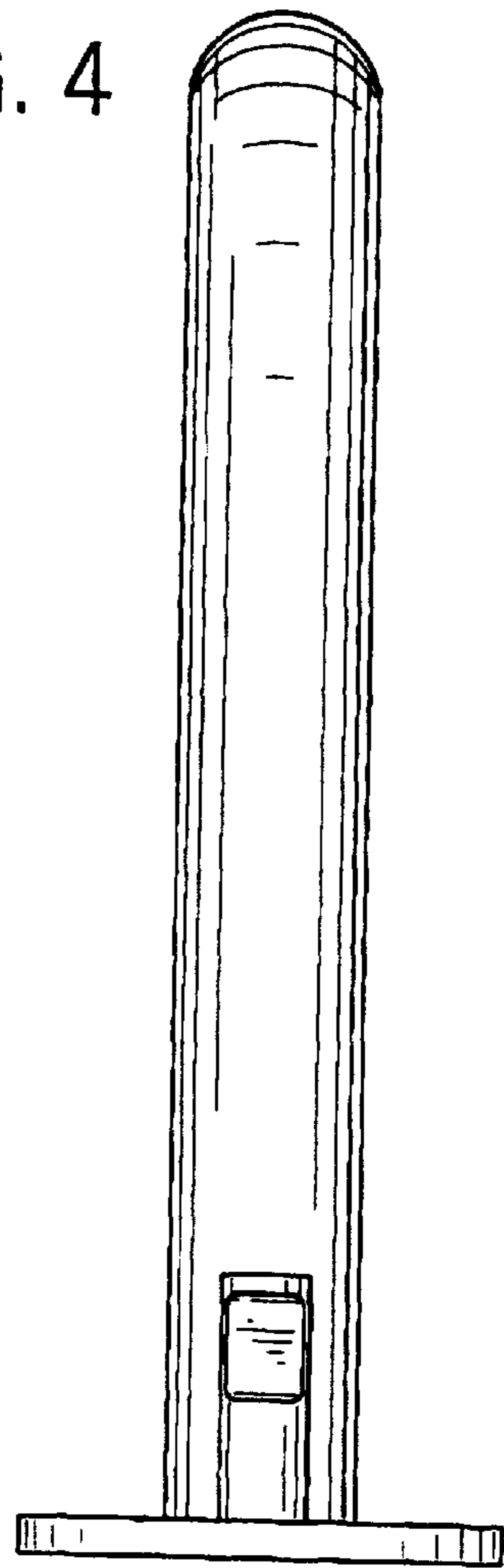


FIG. 5

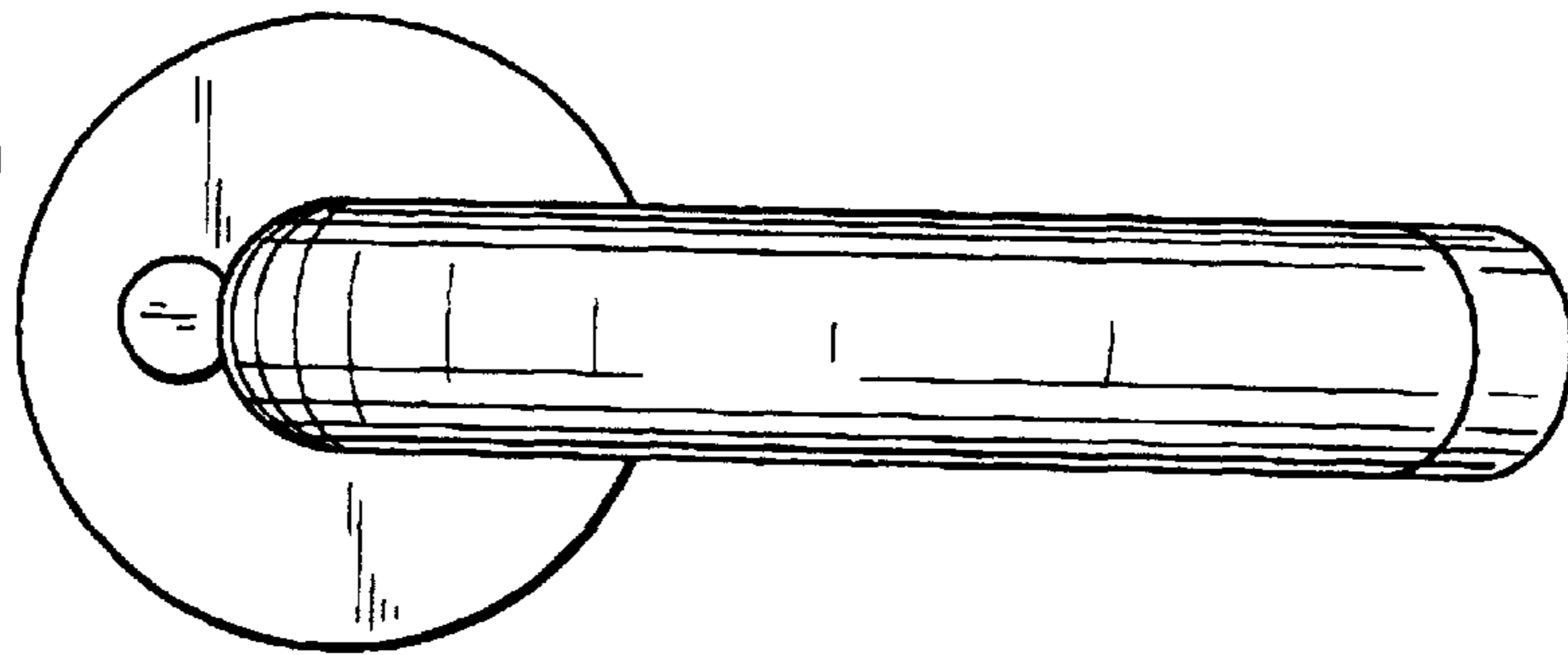


FIG. 6

