



US00D468407S

(12) **United States Design Patent**  
**Otero et al.**

(10) **Patent No.:** **US D468,407 S**

(45) **Date of Patent:** **\*\* Jan. 7, 2003**

(54) **FAUCET HANDLE**

(75) Inventors: **Federico G. Otero**, Carmel, IN (US);  
**Anthony G. Spangler**, Greensburg, IN (US)

(73) Assignee: **Masco Corporation of Indiana**,  
Indianapolis, IN (US)

(\* ) Notice: This patent is subject to a terminal disclaimer.

(\*\*) Term: **14 Years**

(21) Appl. No.: **29/151,973**

(22) Filed: **Dec. 12, 2001**

(51) **LOC (7) Cl.** ..... **23-01**

(52) **U.S. Cl.** ..... **D23/252**

(58) **Field of Search** ..... D23/238-257;  
D8/300-312, DIG. 3; 4/675-678; 16/110 R-125;  
137/801

(56) **References Cited**

**U.S. PATENT DOCUMENTS**

D50,631 S	*	4/1917	Reid, Jr.	.....	D23/246
D345,004 S	*	3/1994	Bengston	.....	D23/254
D392,720 S	*	3/1998	Doughty et al.	.....	D23/250
D420,106 S	*	2/2000	Green	.....	D23/254
D430,650 S	*	9/2000	Graves	.....	D23/242

D433,735 S \* 11/2000 Lord ..... D23/252

D434,118 S \* 11/2000 Lord ..... D23/252

D448,456 S \* 9/2001 Lord ..... D23/252

\* cited by examiner

*Primary Examiner*—Louis S. Zarfes

*Assistant Examiner*—Gregory Andoll

(74) *Attorney, Agent, or Firm*—Myron B. Kapustij; Lloyd D. Doigan

(57) **CLAIM**

The ornamental design for a faucet handle, as shown and described.

**DESCRIPTION**

FIG. 1 is a front perspective view of the faucet handle showing our new design;

FIG. 2 is a rear perspective view thereof;

FIG. 3 is a rear elevational view thereof;

FIG. 4 is a right side elevational view thereof;

FIG. 5 is a front elevational view thereof;

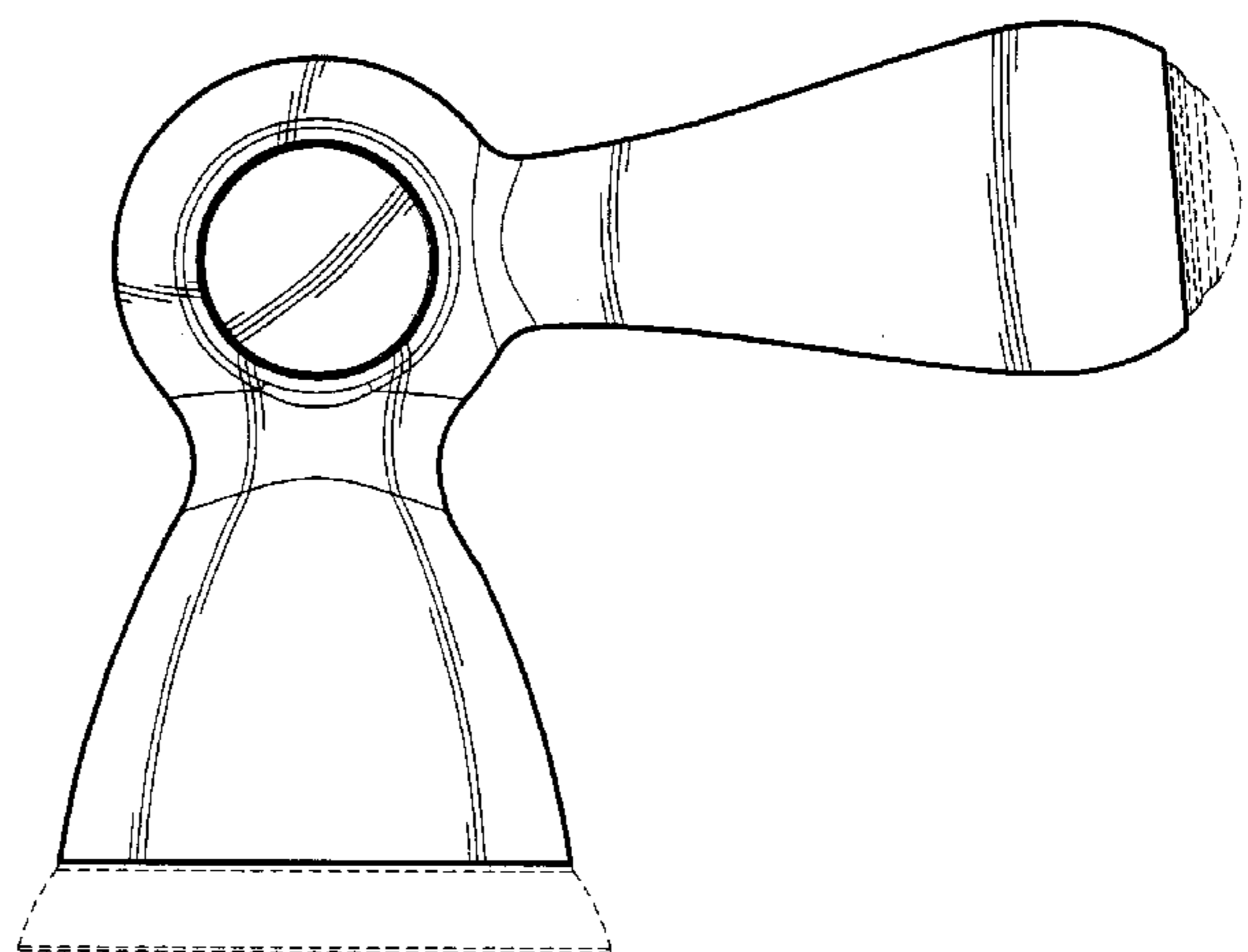
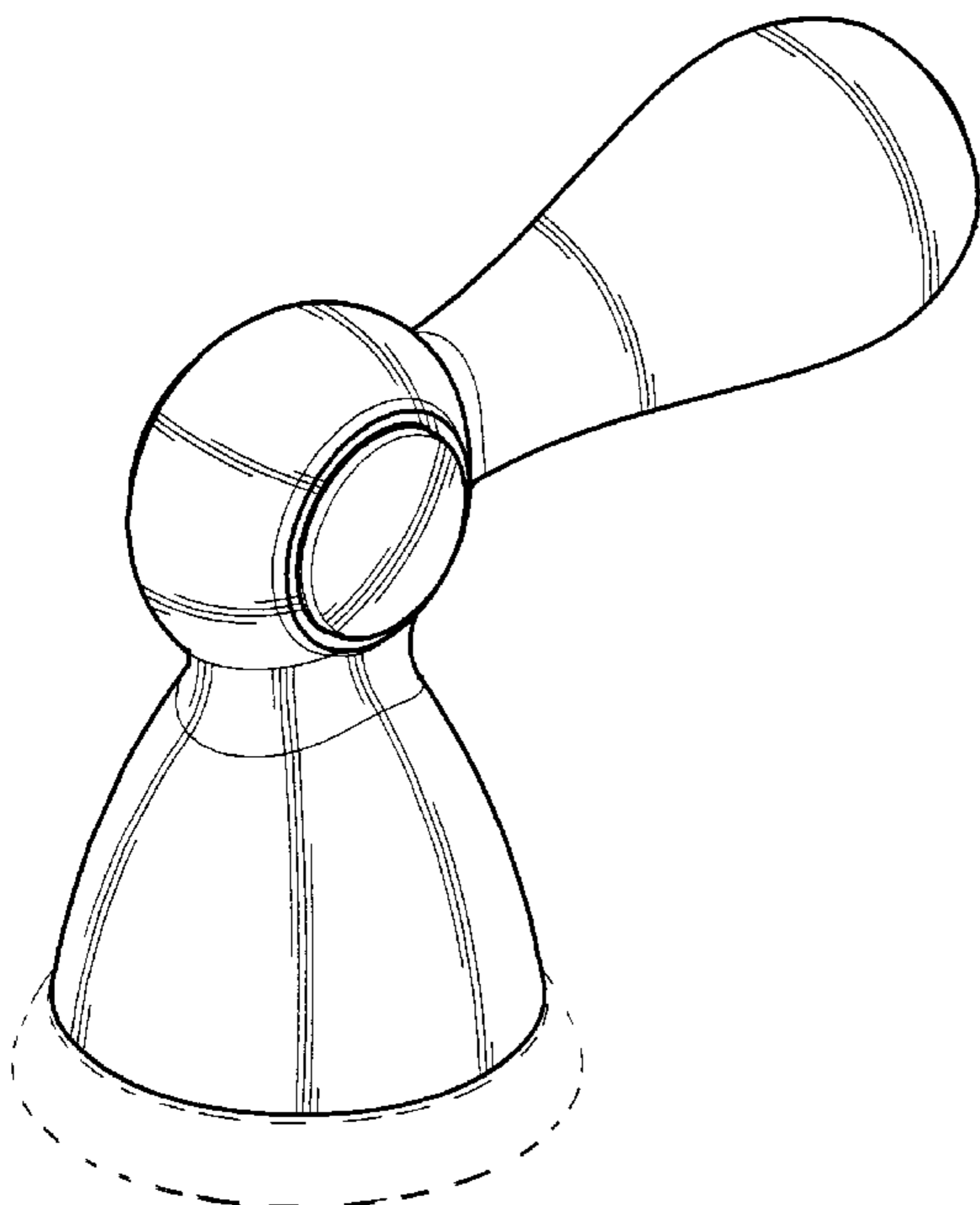
FIG. 6 is a left side elevational view thereof;

FIG. 7 is a top plan view thereof; and,

FIG. 8 is a bottom plan view thereof.

The broken line showing of the handle set screw in FIGS. 2, 4 and 6, of the blade tip in FIGS. 2, 3 and 5-8, and of the handle base in FIGS. 1-8 are for purposes of illustration only and form no part of the claimed design.

**1 Claim, 4 Drawing Sheets**



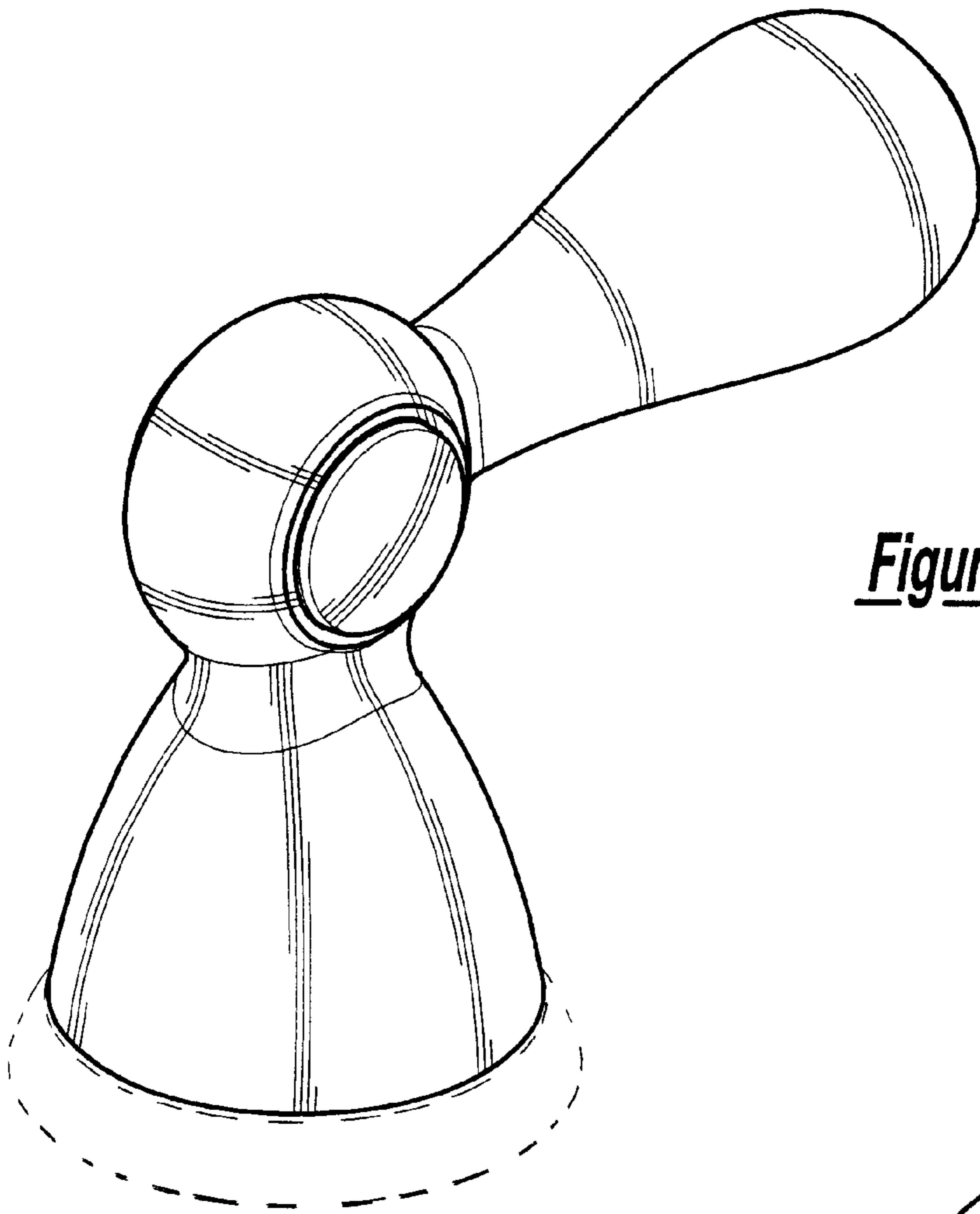


Figure - 1

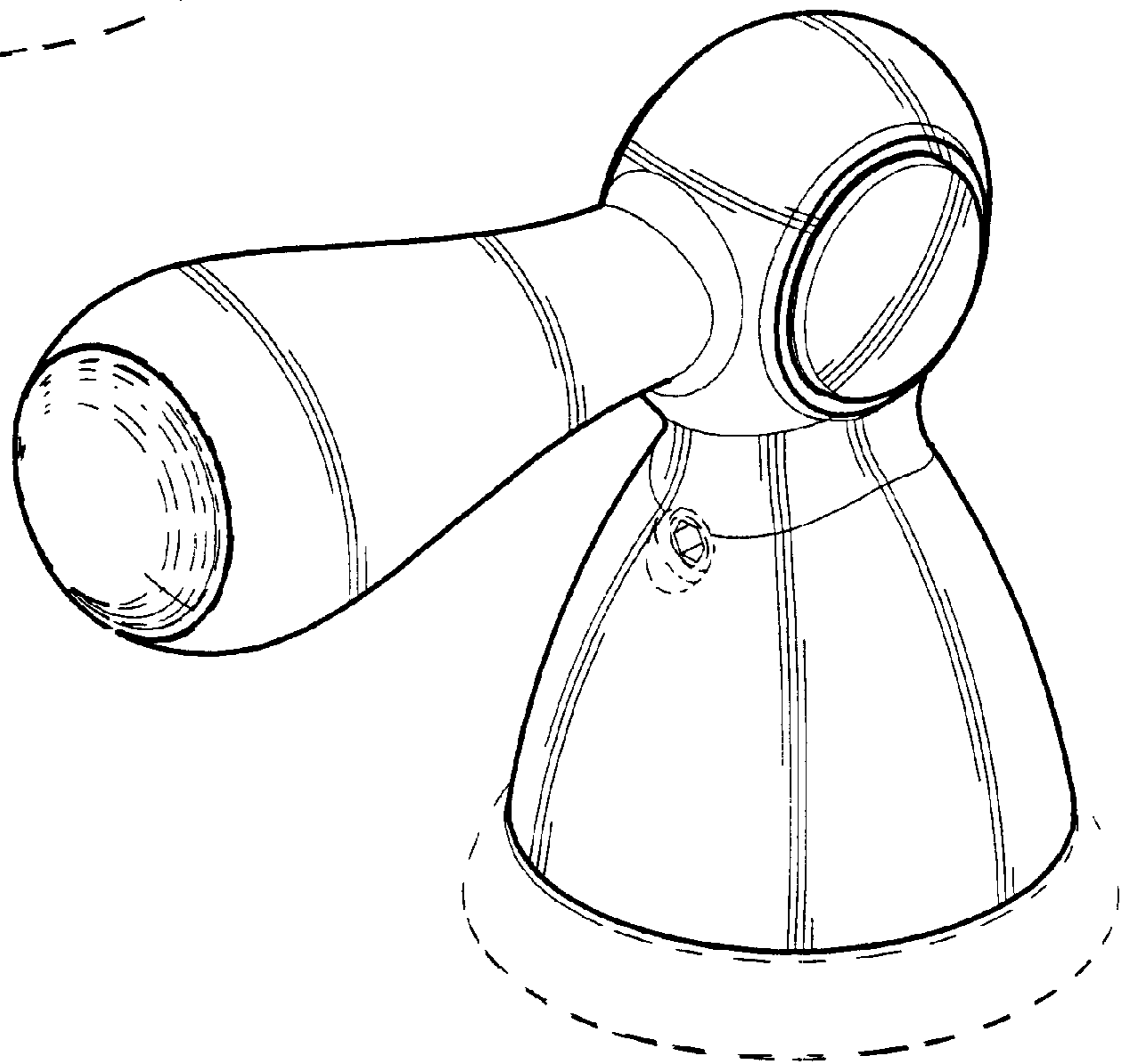


Figure - 2

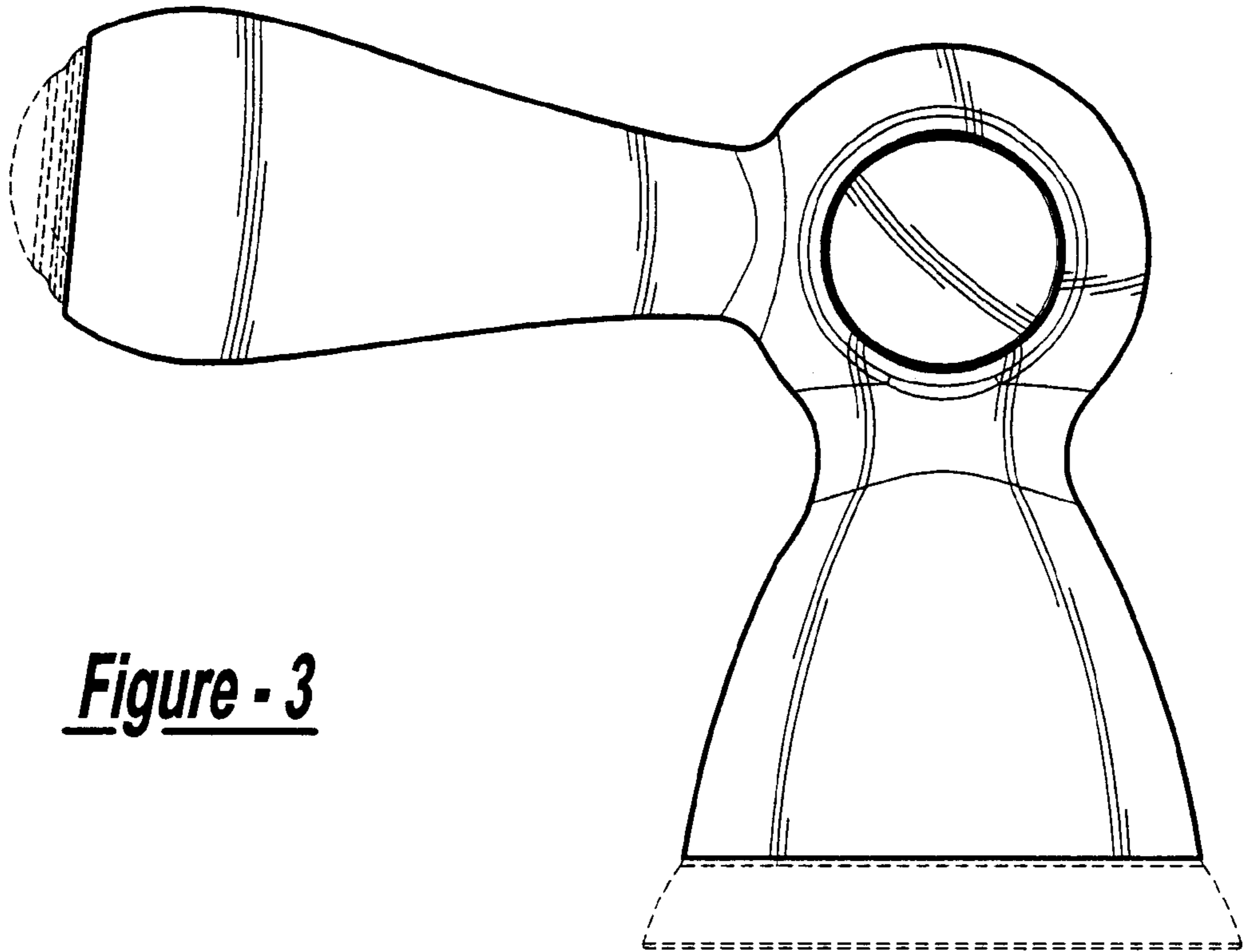


Figure - 3

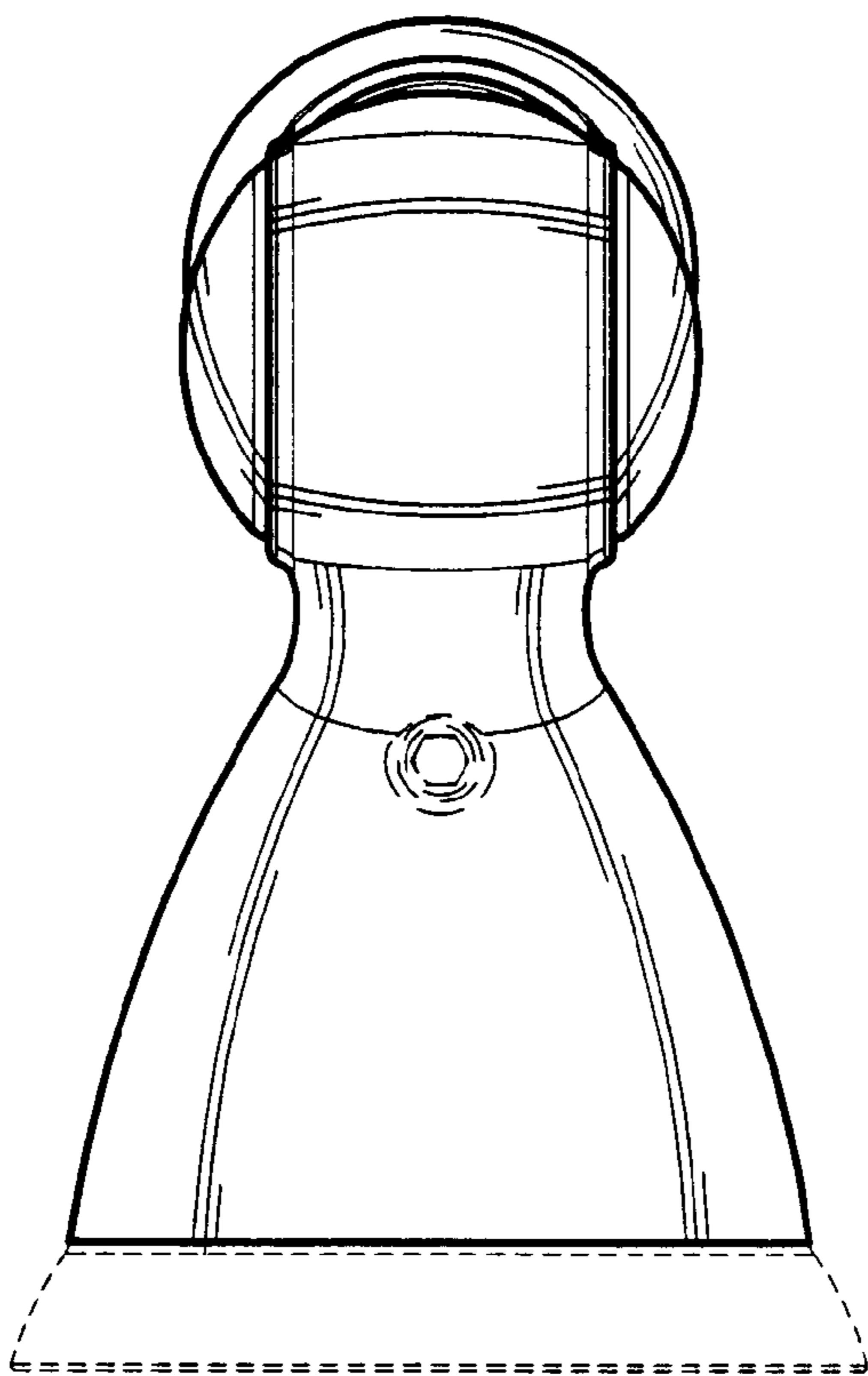


Figure - 4

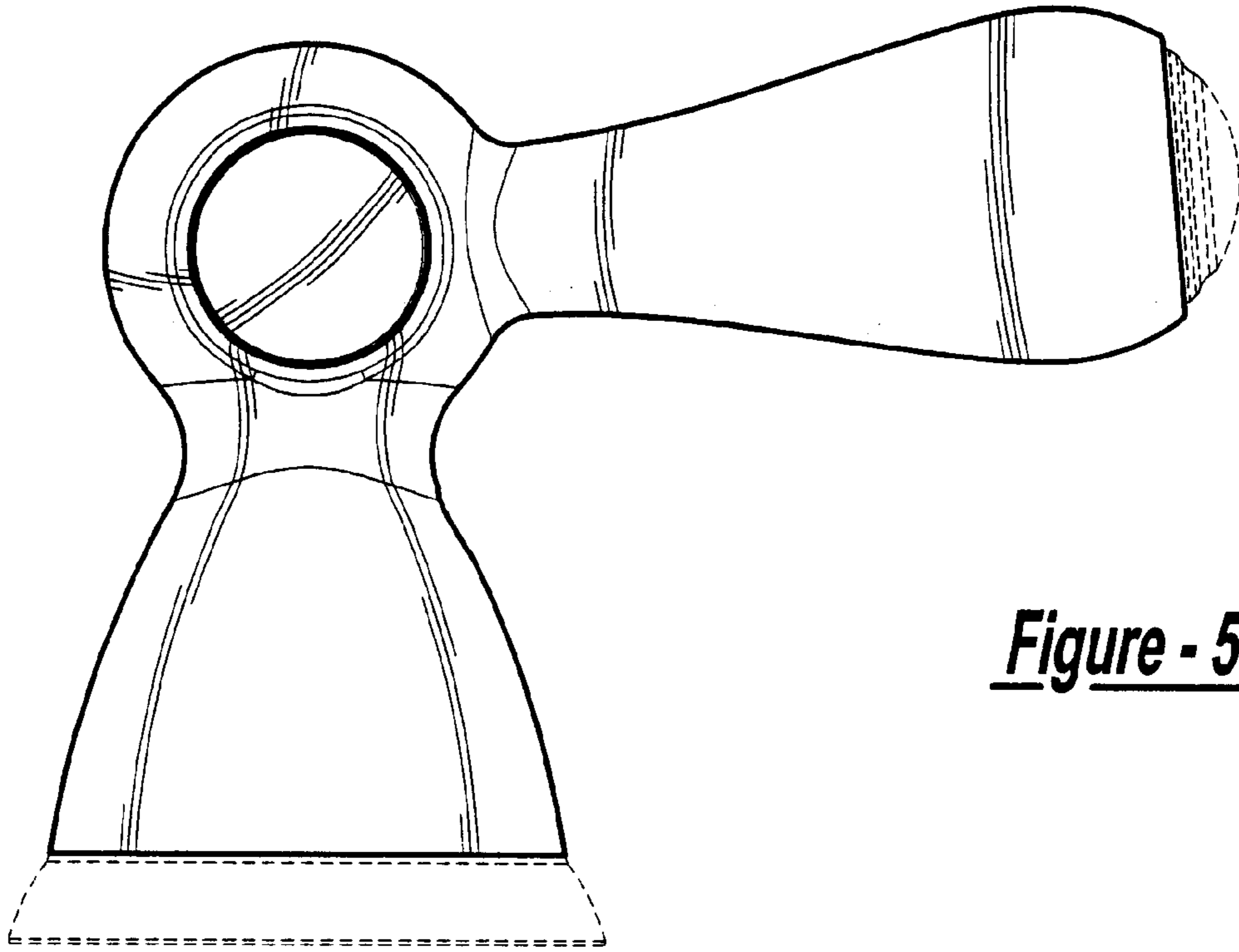
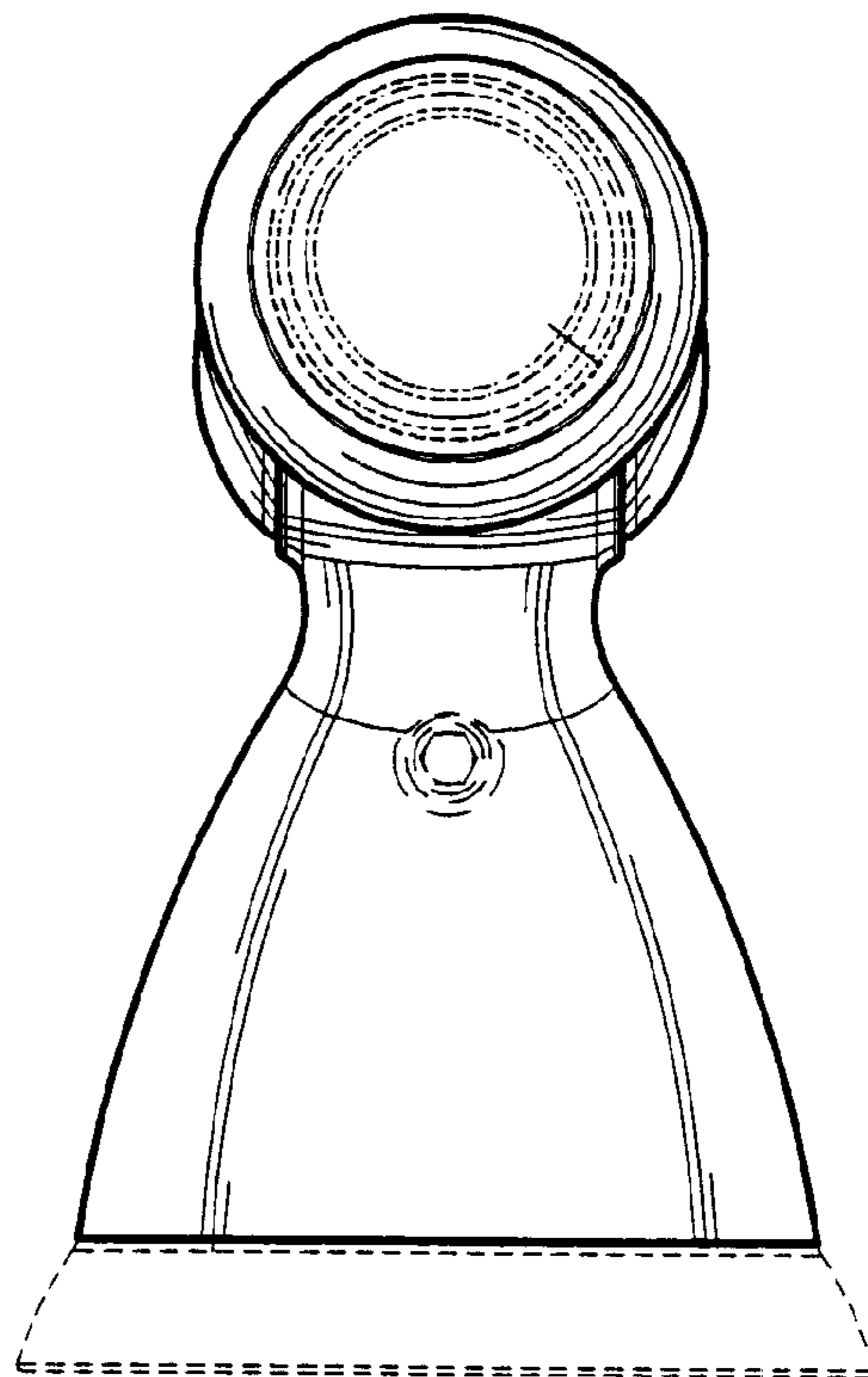


Figure - 5

Figure - 6



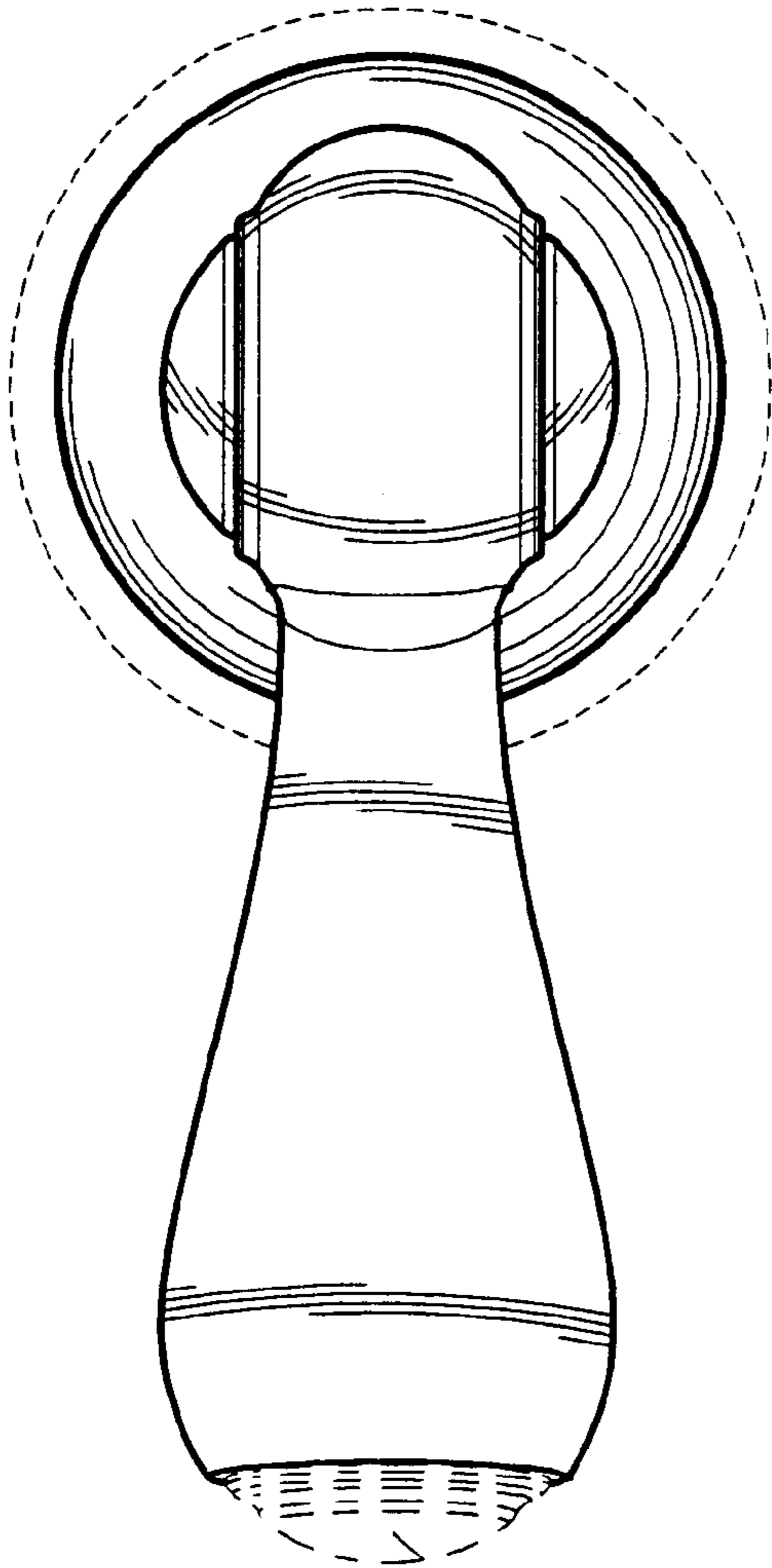


Figure - 8

Figure - 7

