



US00D468406S

(12) **United States Design Patent**
Sacks et al.

(10) **Patent No.:** **US D468,406 S**

(45) **Date of Patent:** **** Jan. 7, 2003**

(54) **HANDLE**

(75) Inventors: **Ann G. Sacks**, Portland, OR (US);
Mike Mansfield, Birmingham (GB)

(73) Assignee: **Ann Sacks Tile and Stone, Inc.**,
Portland, OR (US)

(**) Term: **14 Years**

(21) Appl. No.: **29/139,831**

(22) Filed: **Apr. 6, 2001**

(51) **LOC (7) Cl.** **23-01**

(52) **U.S. Cl.** **D23/252**

(58) **Field of Search** D23/252, 238-243,
D23/250, 254-257; 137/801; 4/675-678;
D8/300-310, 350, 354; 16/110 R-121

(56) **References Cited**

U.S. PATENT DOCUMENTS

D44,099 S	*	5/1913	Gribko	D23/252
2,591,991 A	*	4/1952	Young	137/801
D290,496 S	*	6/1987	Ryan	D23/252
D304,852 S	*	11/1989	Tilton	D23/252
D325,772 S	*	4/1992	Carr	D23/252
D449,214 S	*	10/2001	Yeh	D23/250

OTHER PUBLICATIONS

Undated Rudge catalog ad showing "Fontis" lever handles.

Undated Altmans catalog ad showing lever handles.

Undated Kohler catalog ad, p. 33, showing a K-9610 dispenser.

* cited by examiner

Primary Examiner—Louis S. Zarfes

Assistant Examiner—Gregory Andoll

(74) *Attorney, Agent, or Firm*—Quarles & Brady LLP

(57) **CLAIM**

The ornamental design for a handle, as shown and described.

DESCRIPTION

In a preferred embodiment, the nature of this product is as a plumbing handle primarily useful for controlling a rotatable valve stem.

FIG. 1 is a right, top, front perspective view of a handle embodying our new design;

FIG. 2 is a front elevational view thereof, the rear elevational view being a mirror image of the front elevational view shown;

FIG. 3 is a right side elevational view thereof;

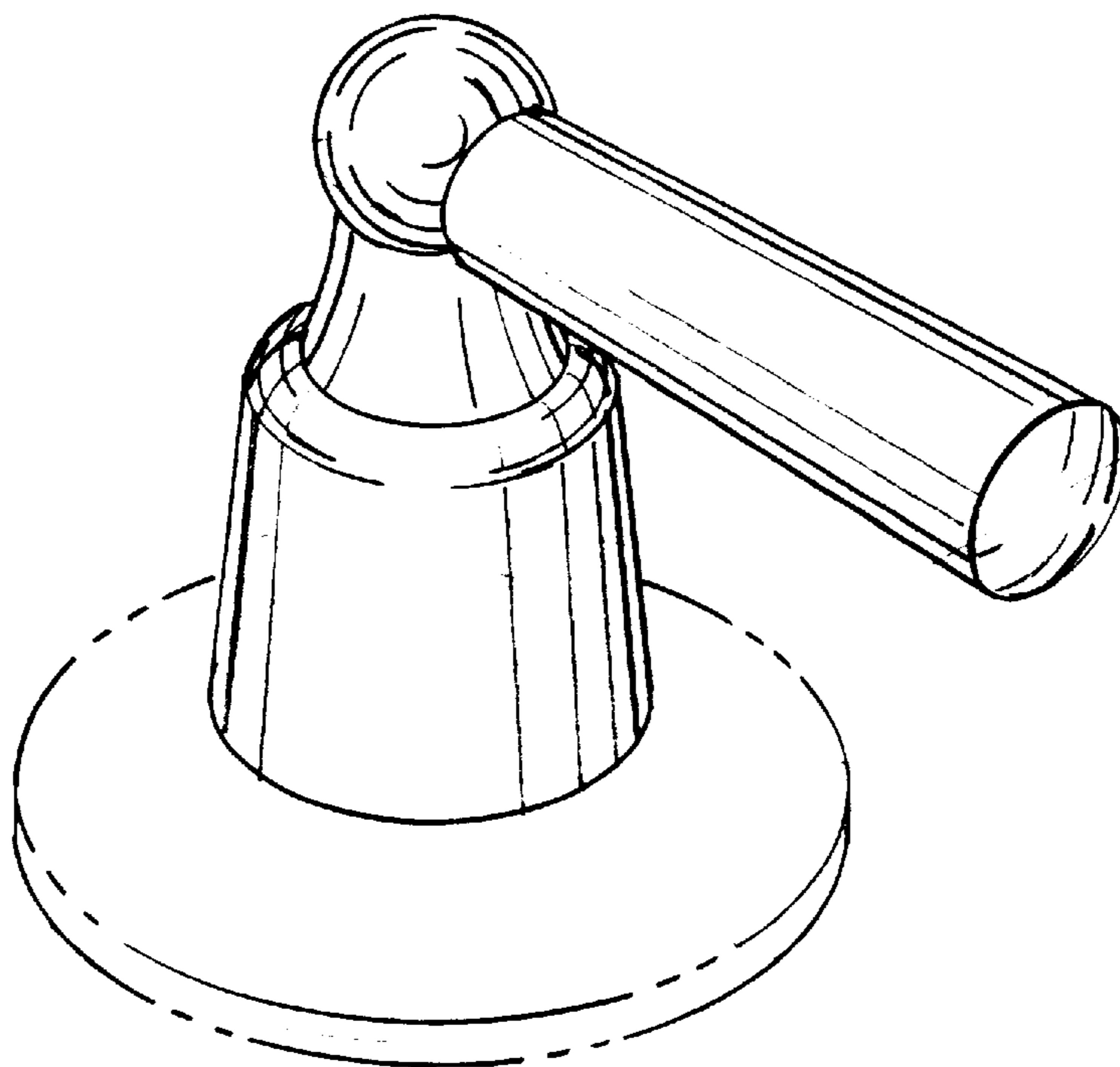
FIG. 4 is a top plan view thereof;

FIG. 5 is a left side elevational view thereof; and,

FIG. 6 is a bottom plan view thereof.

The broken line representations of a base in FIG. 1, and of mounting structure in FIG. 6, are for the purpose of illustration only, and form no part of the claimed design.

1 Claim, 2 Drawing Sheets



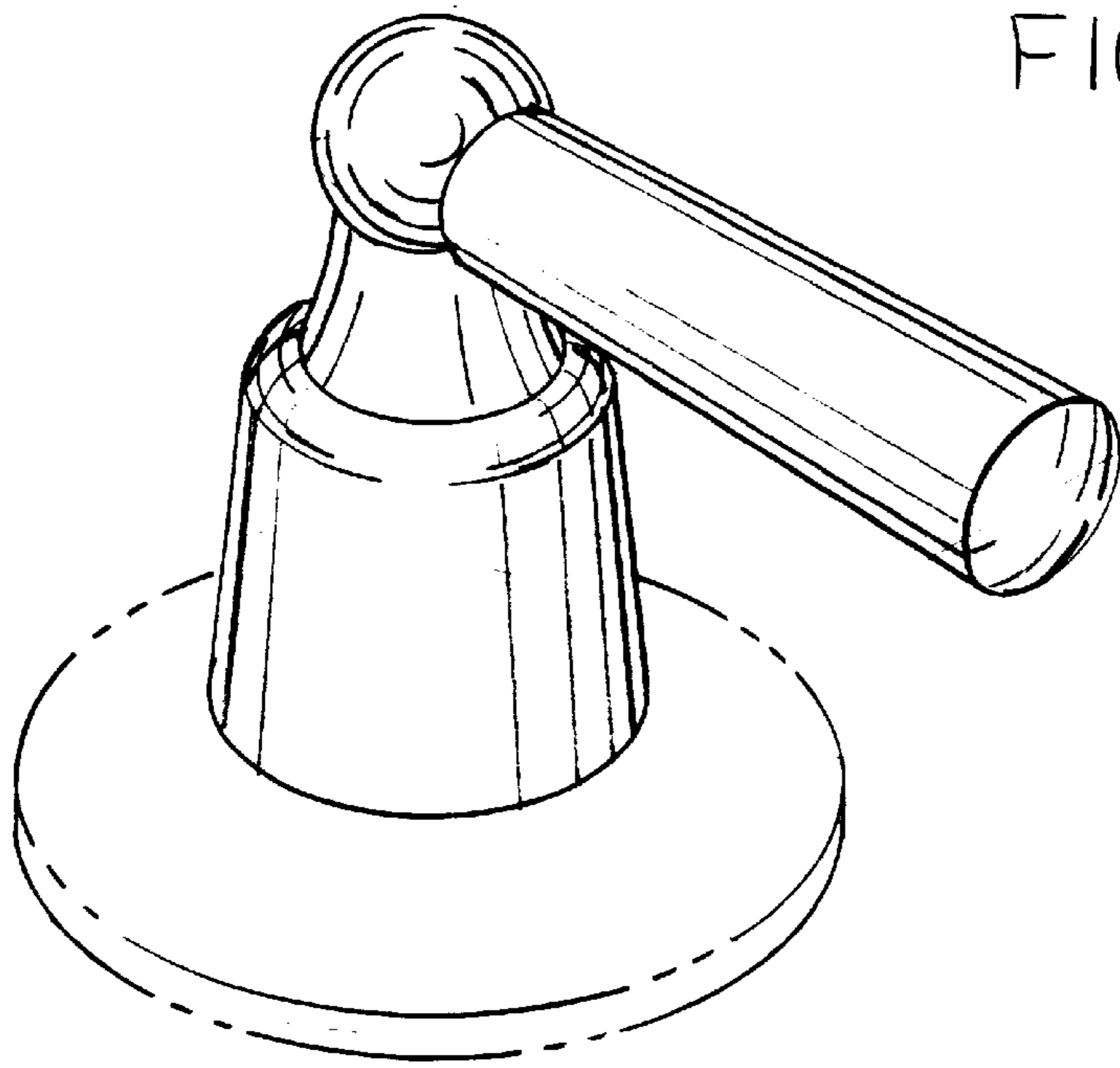


FIG. 1

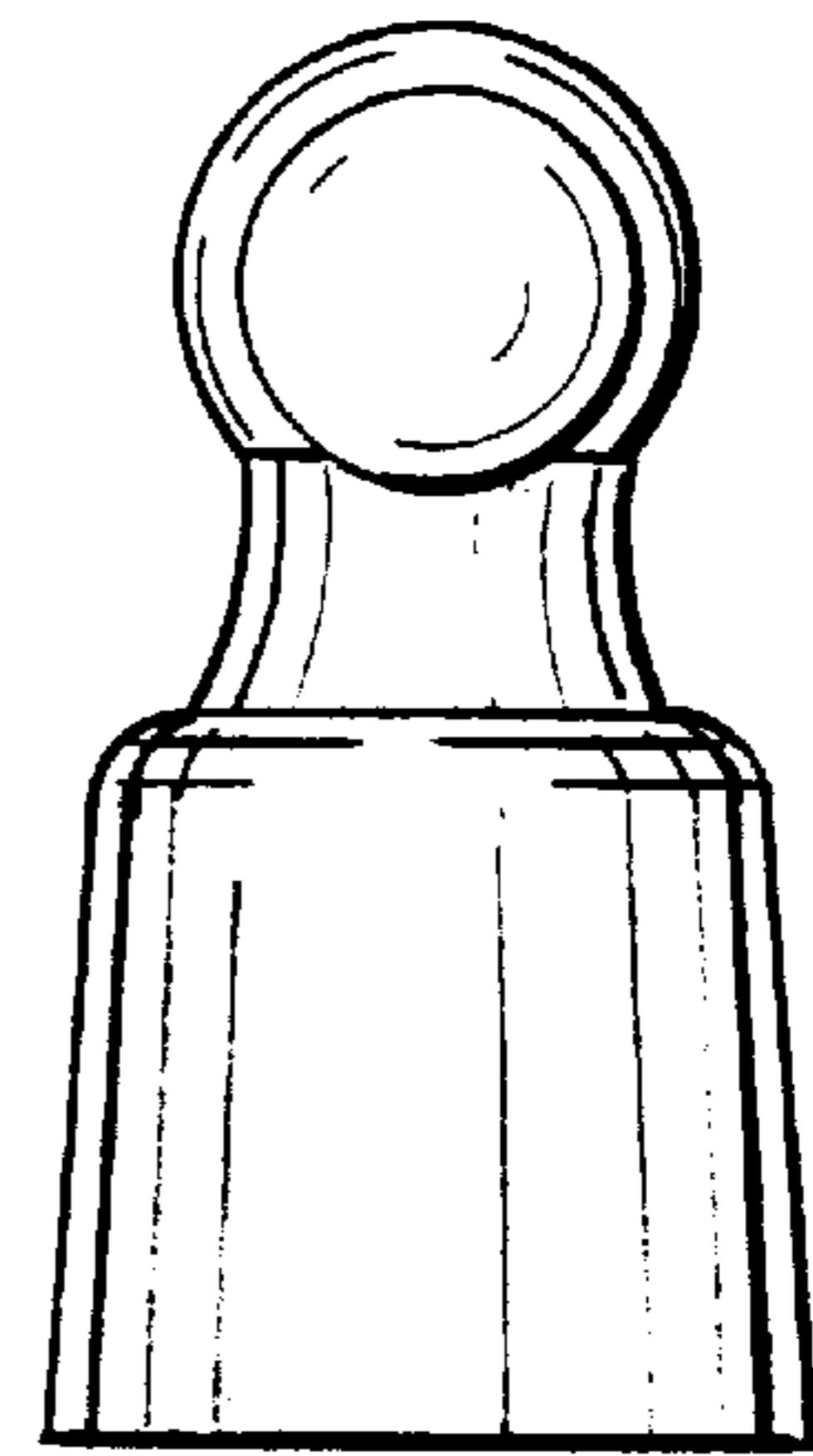


FIG. 3

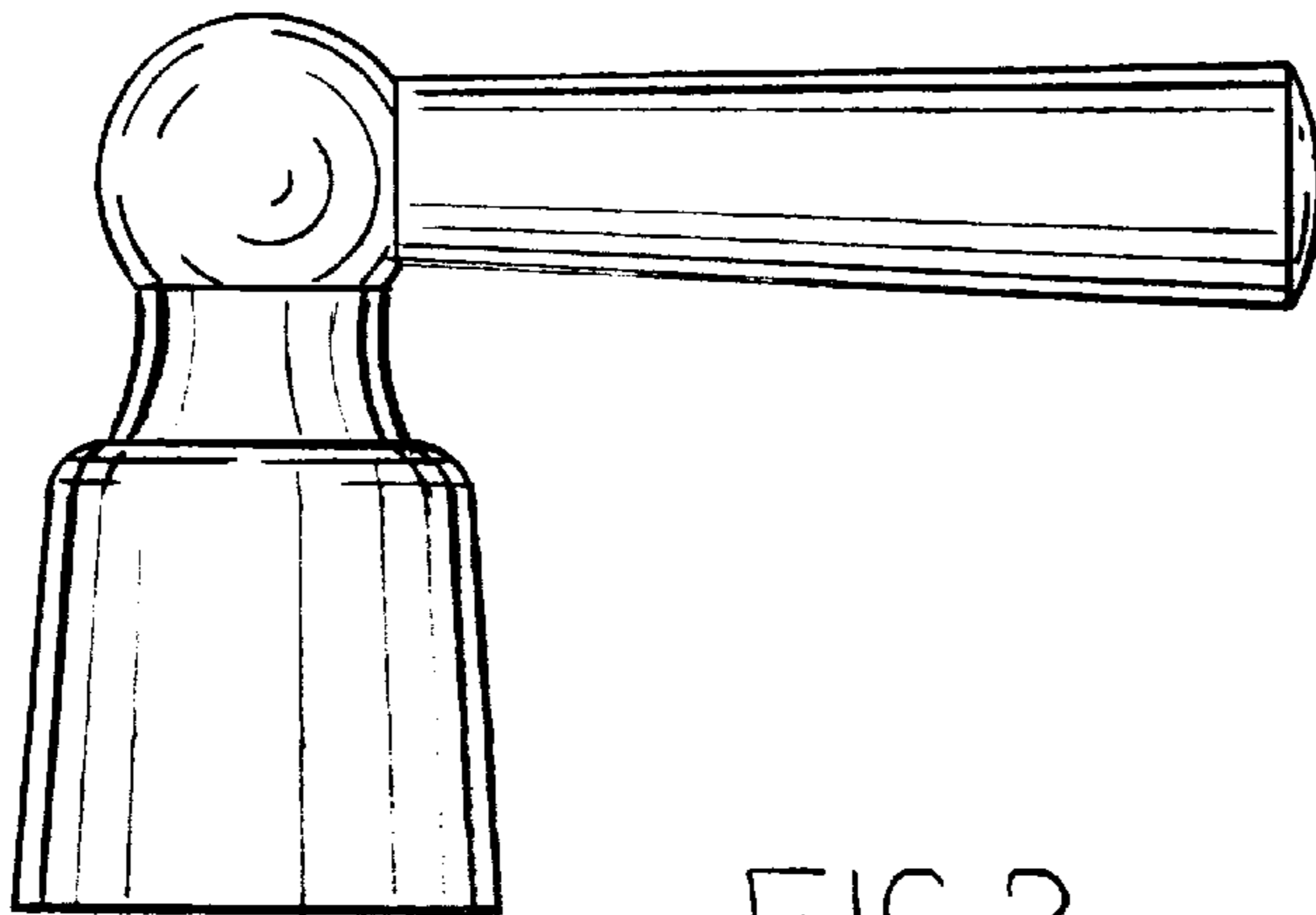


FIG. 2

FIG. 4

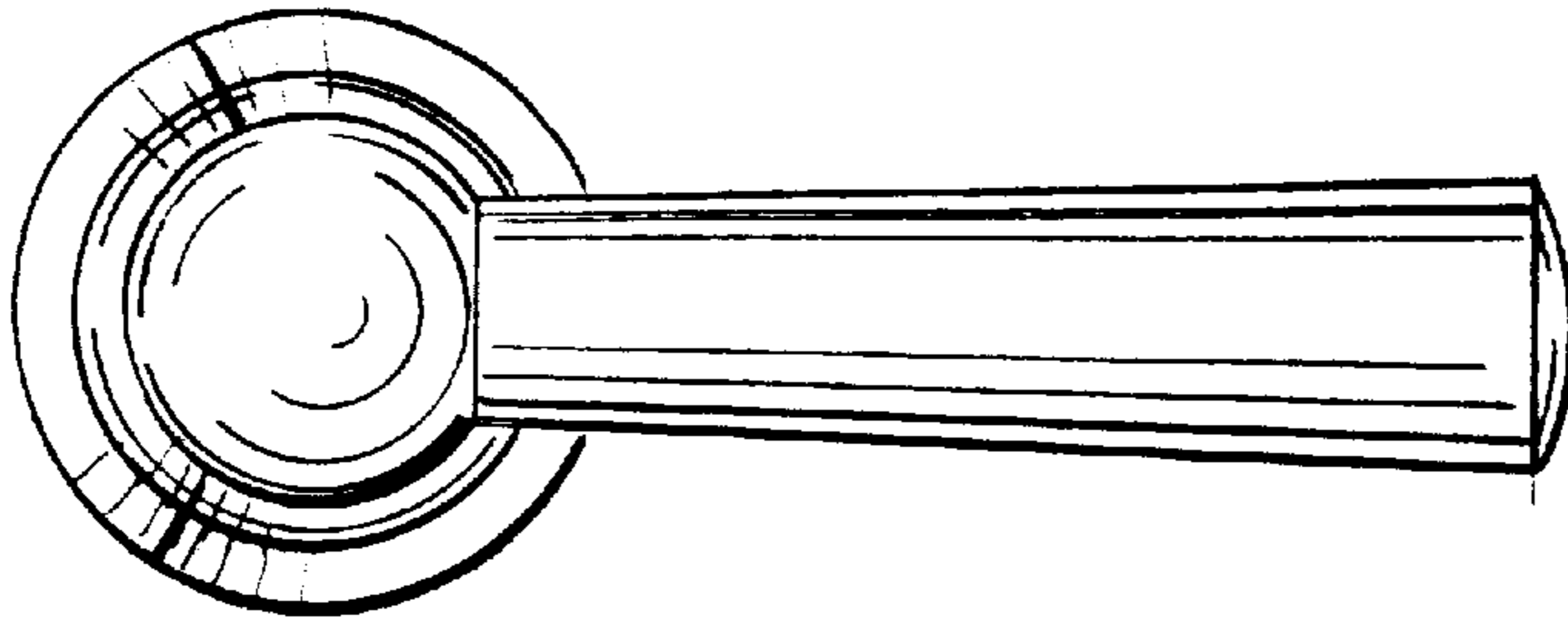


FIG. 5

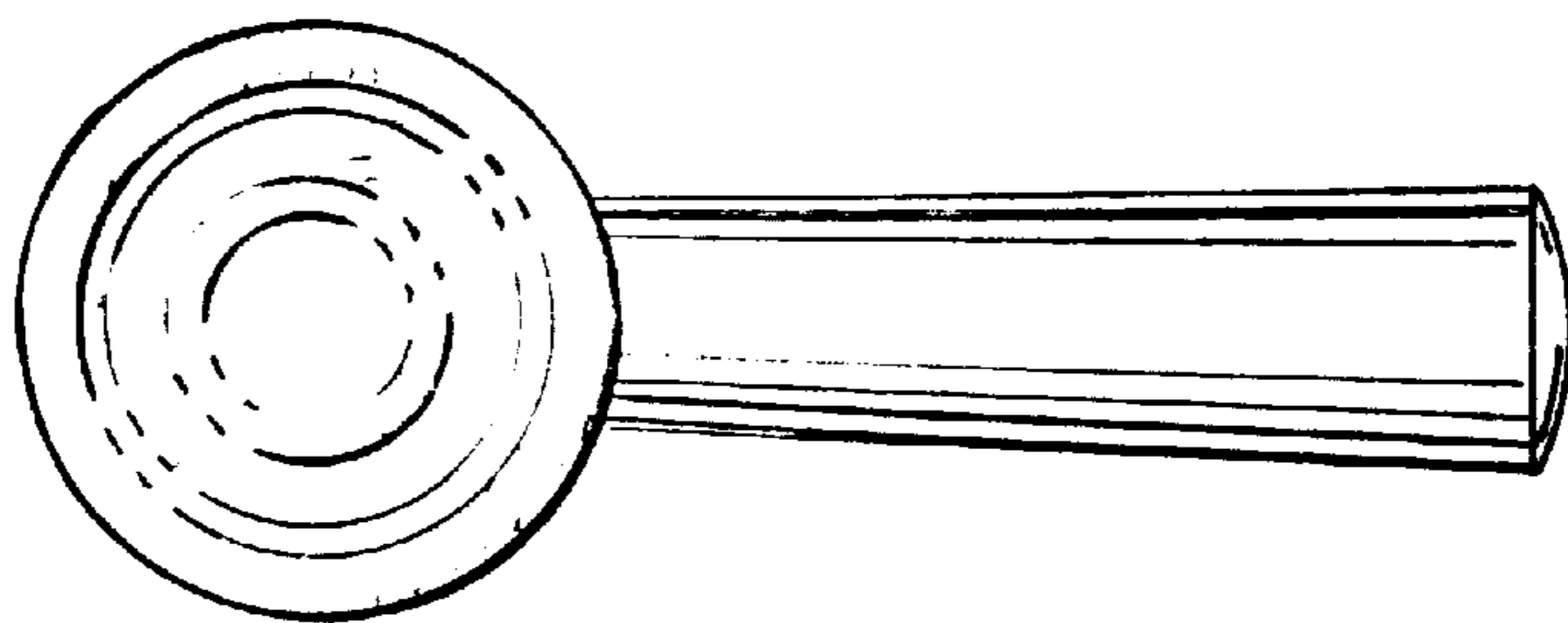
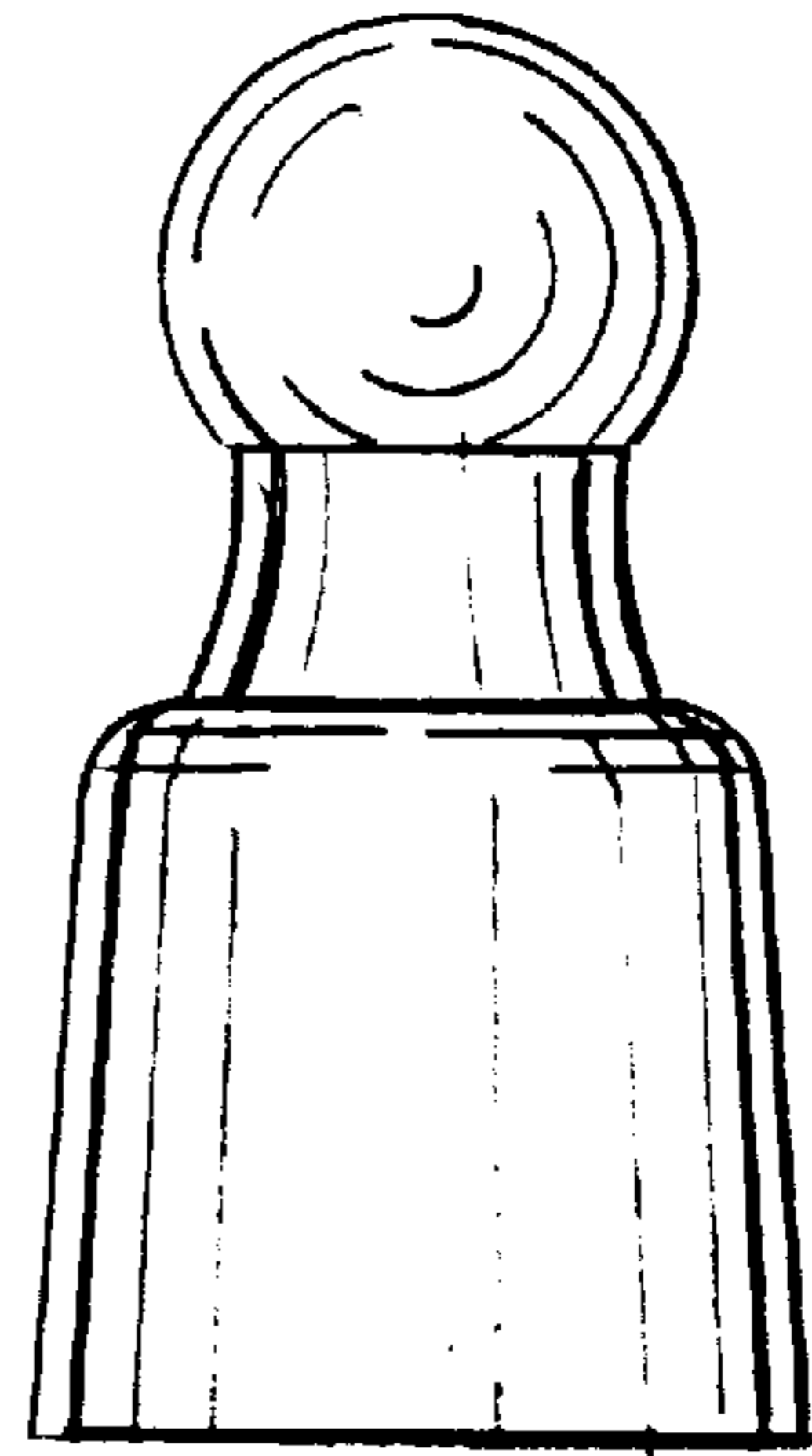


FIG. 6