



US00D468398S

(12) **United States Design Patent**  
**Ziemann**

(10) **Patent No.:** **US D468,398 S**

(45) **Date of Patent:** **\*\* Jan. 7, 2003**

(54) **MIXING TAP**

(75) Inventor: **Brigitte Ziemann**, Eppingen (DE)

(73) Assignee: **BLANCO GmbH + Co KG**,  
Oberderdingen (DE)

(\*\*) Term: **14 Years**

(21) Appl. No.: **29/152,255**

(22) Filed: **Oct. 29, 2001**

(30) **Foreign Application Priority Data**

Apr. 27, 2001 (DE) ..... 401 04 192

(51) **LOC (7) Cl.** ..... **23-01**

(52) **U.S. Cl.** ..... **D23/238**

(58) **Field of Search** ..... D23/238-243,  
D23/250-257; 4/675-678; 137/801

(56) **References Cited**

**U.S. PATENT DOCUMENTS**

D331,275 S \* 11/1992 Knapp ..... D23/238

D420,726 S \* 2/2000 Slothower et al. .... D23/257

D428,965 S \* 8/2000 Slothower ..... D23/238

D444,212 S \* 6/2001 Fleischmann ..... D23/243

D457,938 S \* 5/2002 Lobermeier ..... D23/238

\* cited by examiner

*Primary Examiner*—Louis S. Zarfaz

*Assistant Examiner*—Gregory Andoll

(74) *Attorney, Agent, or Firm*—Townsend and Townsend  
and Crew LLP

(57) **CLAIM**

The ornamental design for a mixing tap, as shown and described.

**DESCRIPTION**

FIG. 1 is a side view of my mixing tap design;

FIG. 2 is a front view of the thereof;

FIG. 3 is a top plan view of thereof; and,

FIG. 4 a perspective view thereof.

**1 Claim, 4 Drawing Sheets**

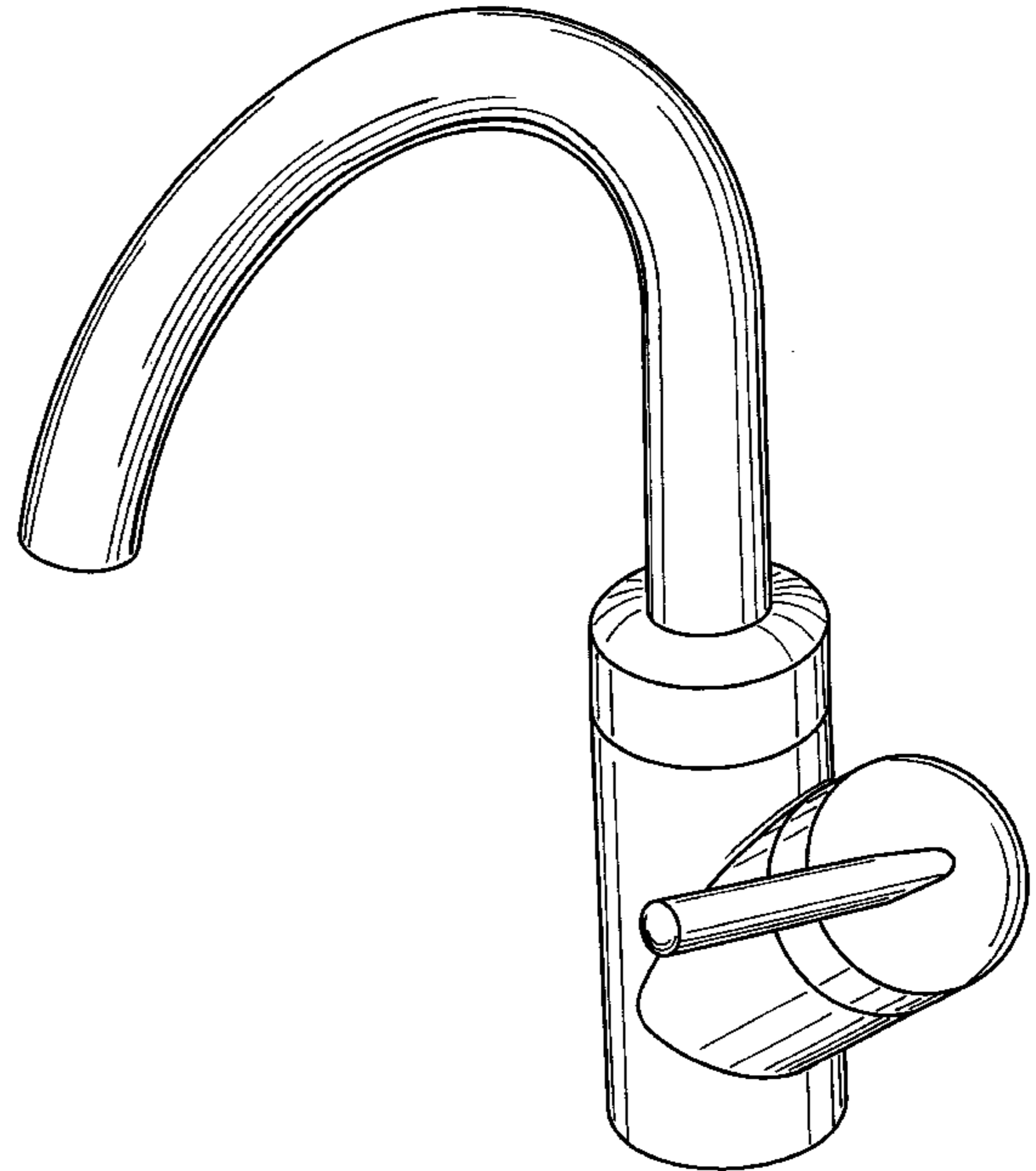
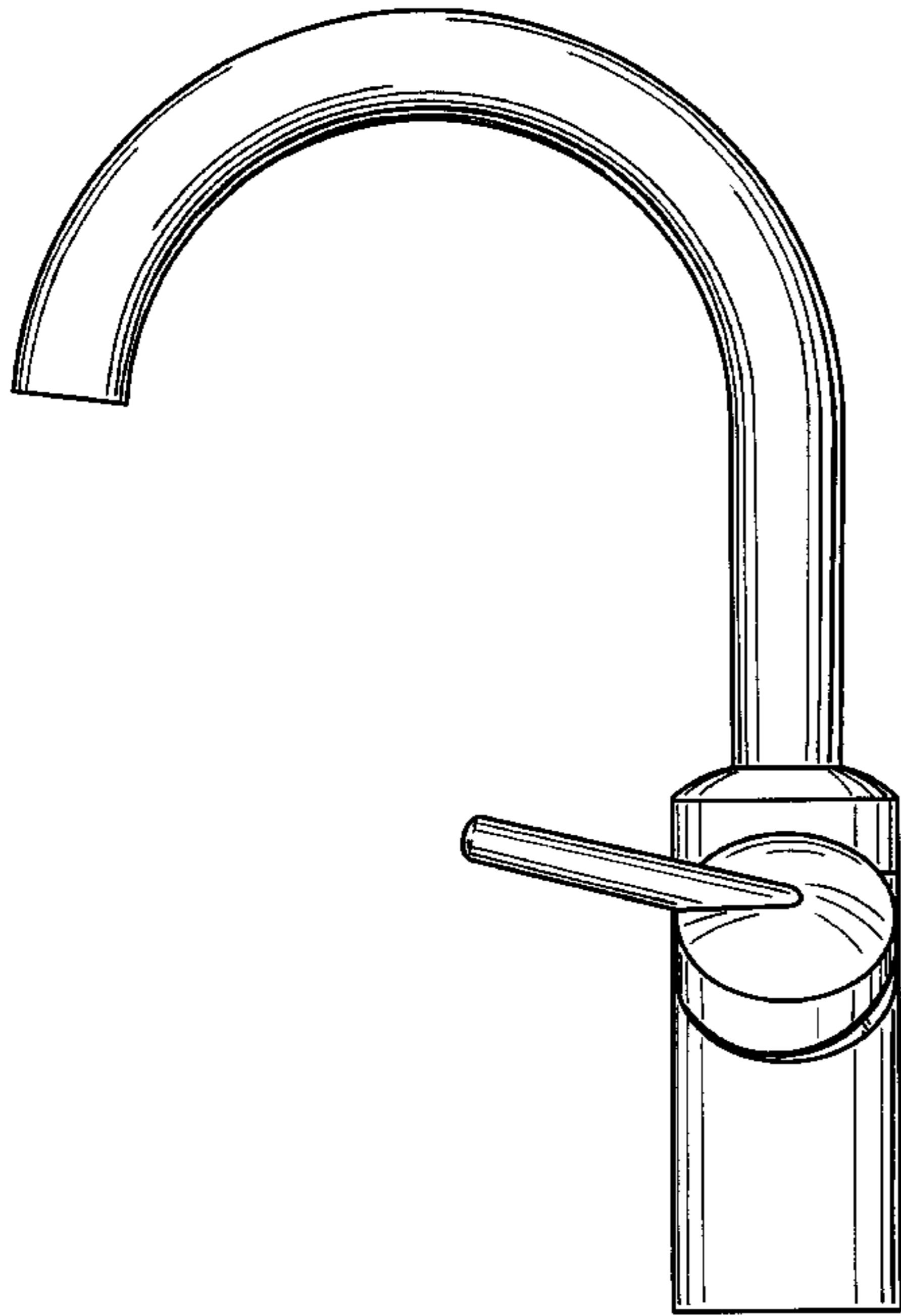


FIG.1

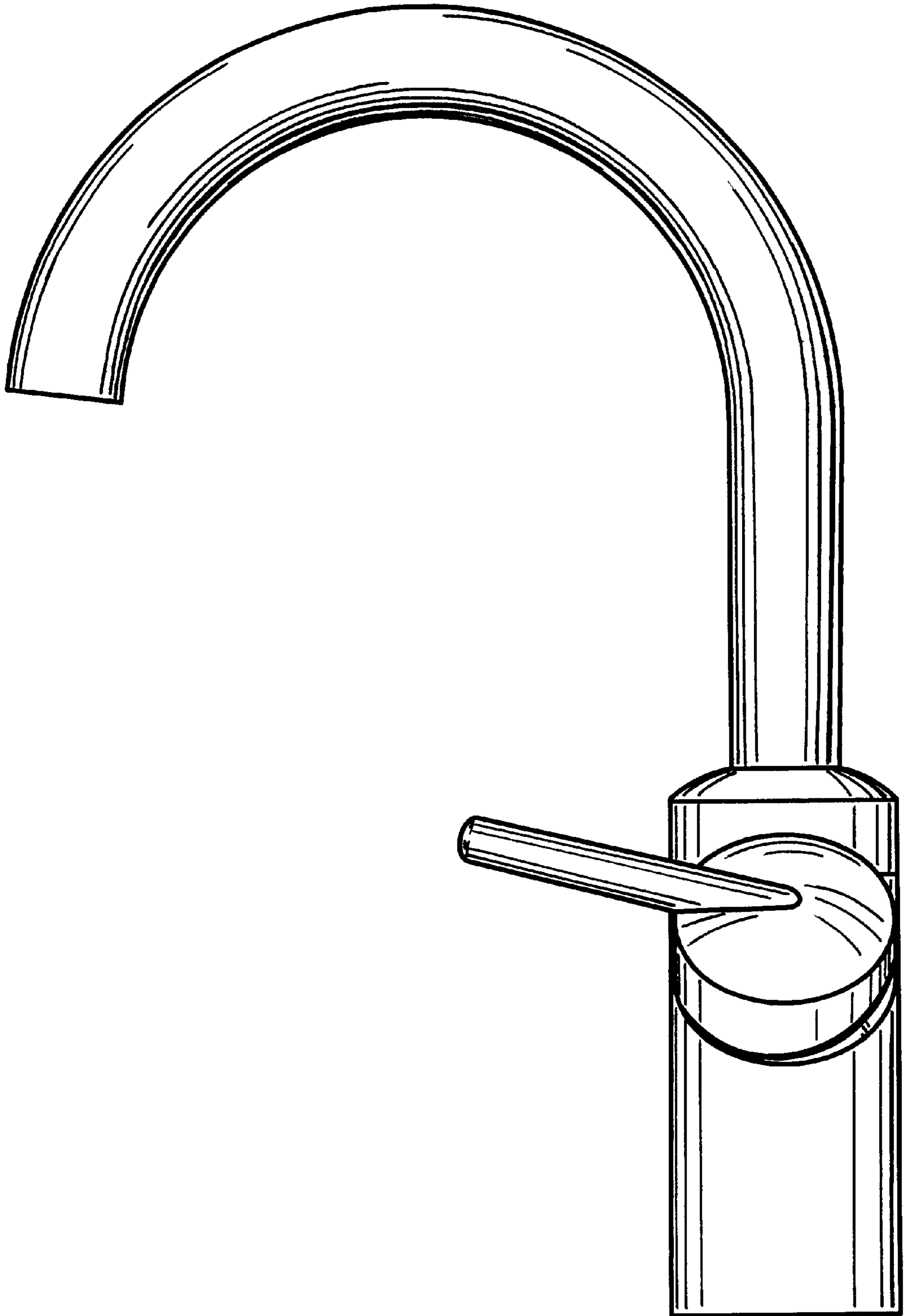
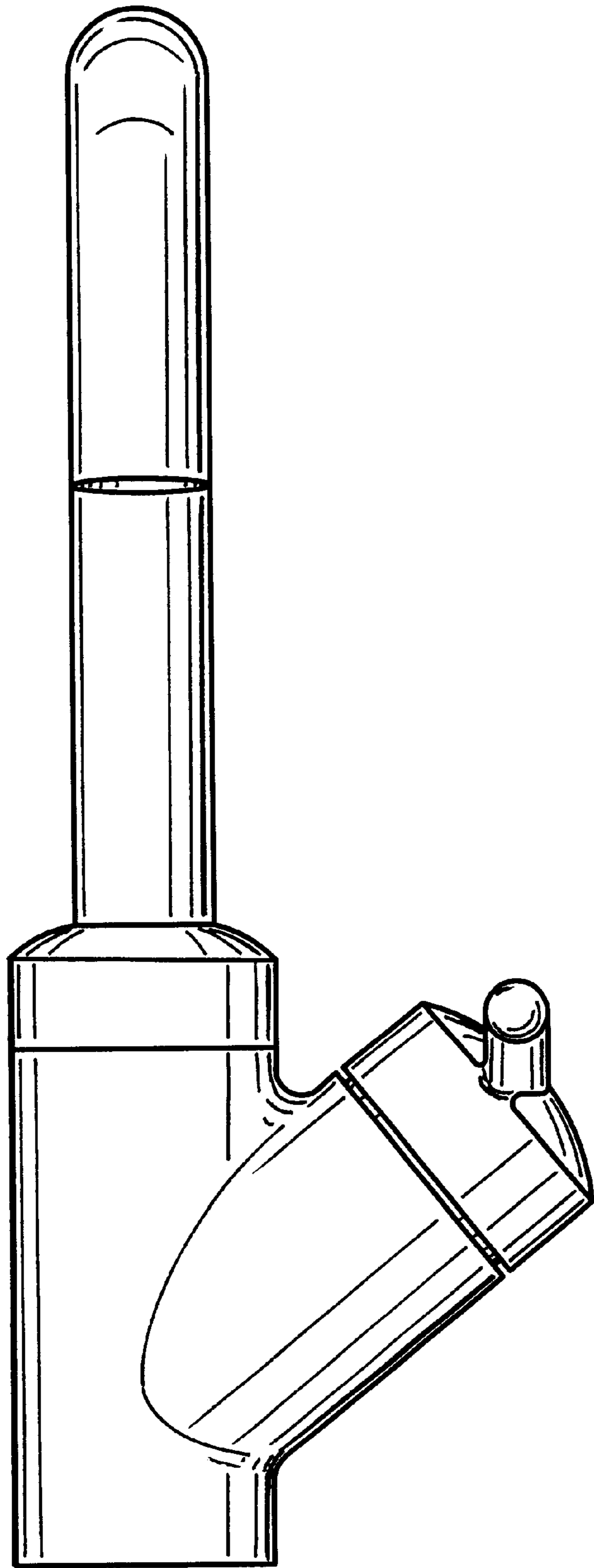


FIG.2



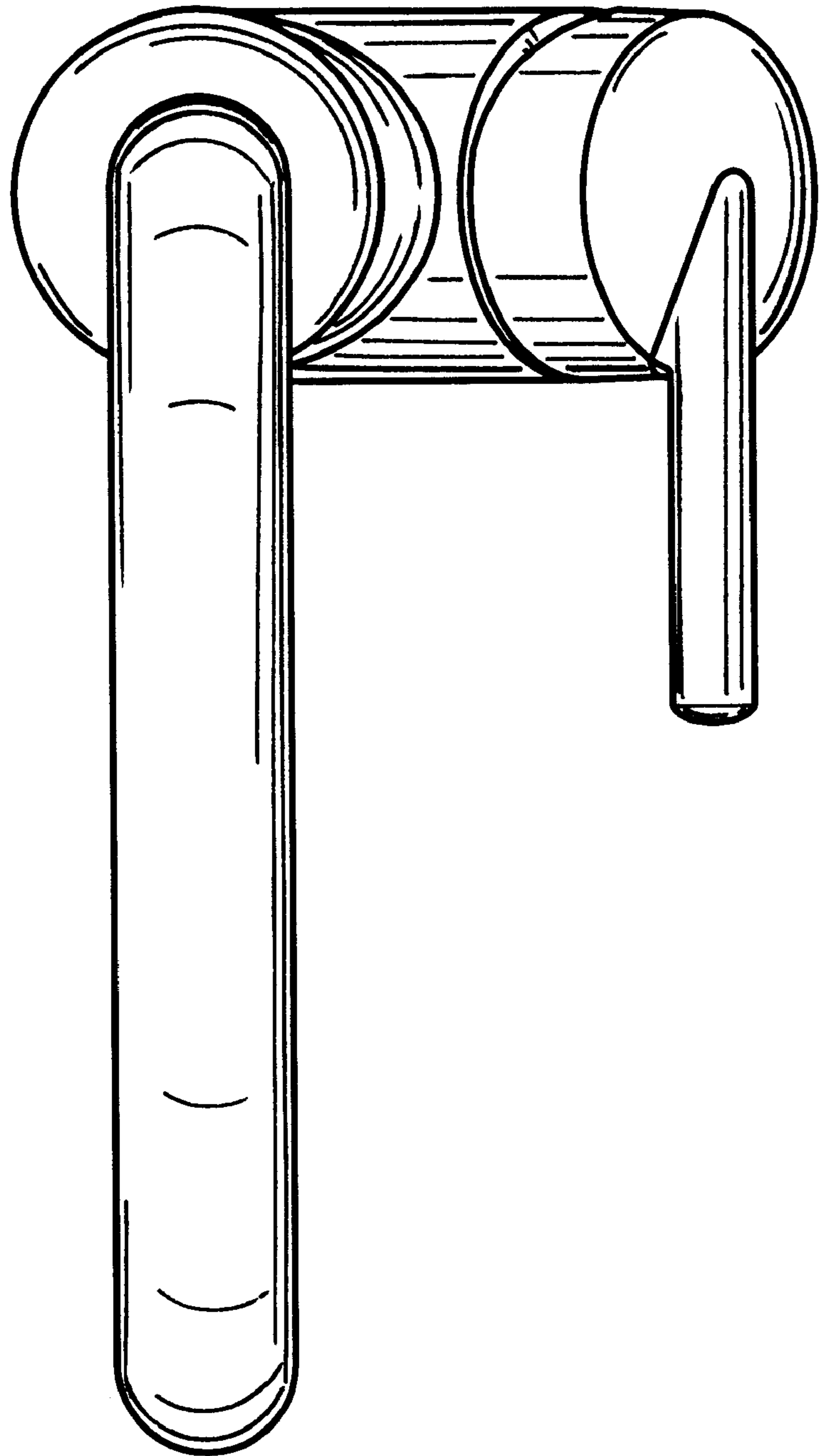


FIG.3

FIG.4

