



US00D468397S

(12) **United States Design Patent**
Czerwinski, Jr.

(10) **Patent No.:** **US D468,397 S**

(45) **Date of Patent:** **** Jan. 7, 2003**

(54) **FAUCET**

(75) **Inventor:** **Jerome F. Czerwinski, Jr.**, Long Beach, CA (US)

(73) **Assignee:** **Emhart LLC**, Newark, DE (US)

(**) **Term:** **14 Years**

(21) **Appl. No.:** **29/140,852**

(22) **Filed:** **Apr. 26, 2001**

(51) **LOC (7) Cl.** **23-01**

(52) **U.S. Cl.** **D23/238**

(58) **Field of Search** D23/238-243,
D23/250-257; 4/675-678; 137/801

D396,268 S	7/1998	Snyder	
D406,323 S	3/1999	Snyder	
D414,847 S	10/1999	Snyder	
D415,560 S	10/1999	Lindholm	
D420,726 S	2/2000	Slothower et al.	
D426,622 S	6/2000	Mark et al.	
D426,873 S	6/2000	Milrud et al.	
D428,965 S	* 8/2000	Slothower	D23/238
D438,289 S	2/2001	Mark et al.	
D438,602 S	3/2001	Milrud et al.	
D438,934 S	3/2001	Mark et al.	

* cited by examiner

Primary Examiner—Louis S. Zarfaz

Assistant Examiner—Gregory Andoll

(74) *Attorney, Agent, or Firm*—Richard J. Veltman; John D. Del Ponti

(56) **References Cited**

U.S. PATENT DOCUMENTS

D280,010 S	8/1985	Miller et al.	
D287,747 S	1/1987	Miller et al.	
D295,551 S	5/1988	Yost	
D314,813 S	2/1991	Jans	
D327,529 S	6/1992	Dannenberg	
D327,944 S	7/1992	Stairs, Jr. et al.	
D328,782 S	8/1992	Paterson et al.	
D329,083 S	9/1992	Dannenberg	
D331,275 S	* 11/1992	Knapp	D23/238
D352,095 S	11/1994	Bollenbacher	
D361,825 S	8/1995	Mine	
D375,149 S	10/1996	Robbins	
D377,517 S	1/1997	Doughty et al.	
D384,134 S	9/1997	Robbins	

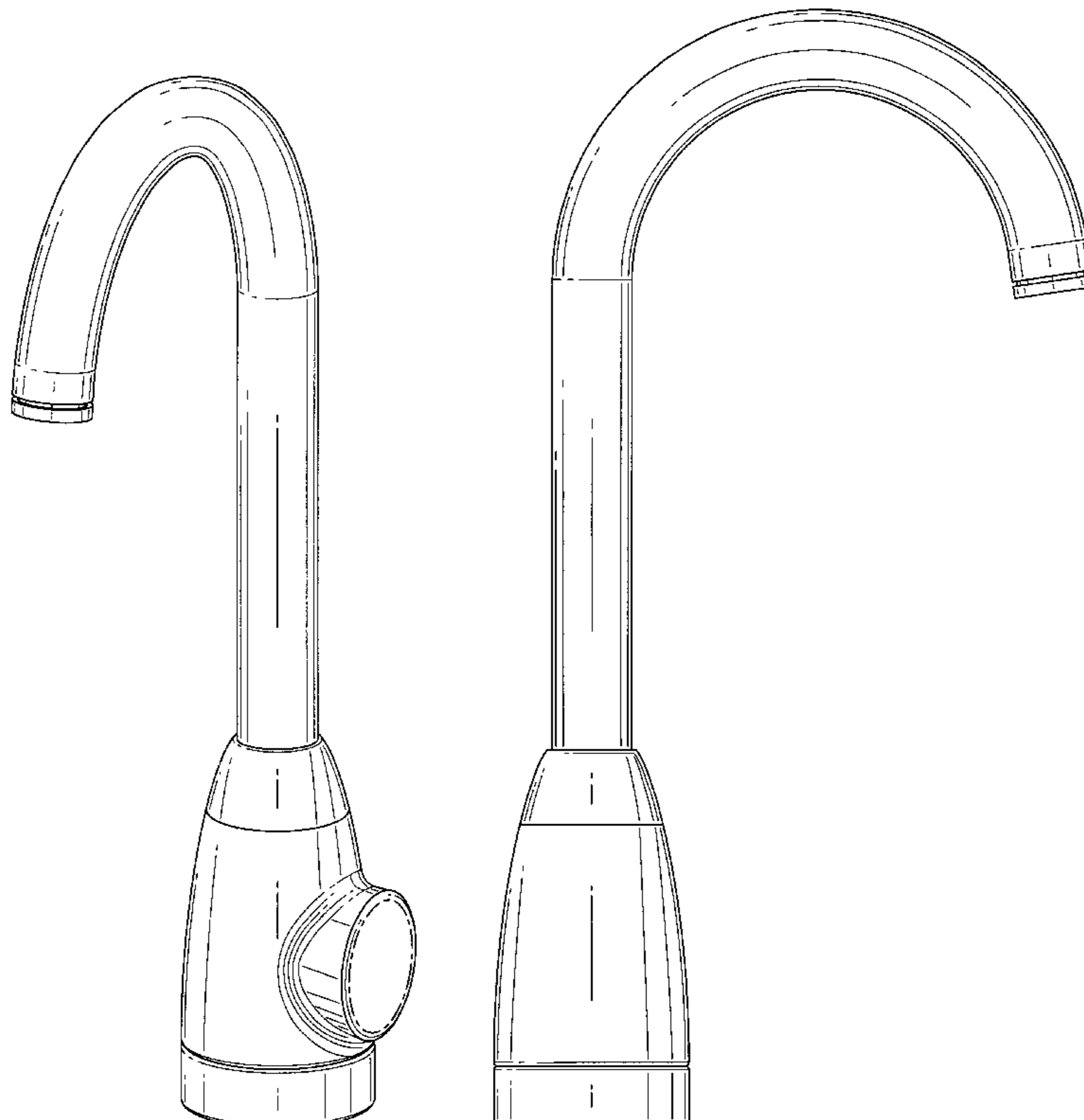
(57) **CLAIM**

The ornamental design for a faucet, as shown and described.

DESCRIPTION

FIG. 1 is a perspective view of the new design for a faucet;
 FIG. 2 is a front elevational view of the new design for a faucet;
 FIG. 3 is a right side elevational view of the new design for a faucet;
 FIG. 4 is a left side elevational view of the new design for a faucet;
 FIG. 5 is a top plan view of the new design for a faucet; and,
 FIG. 6 is a bottom plan view of the new design for a faucet.

1 Claim, 5 Drawing Sheets



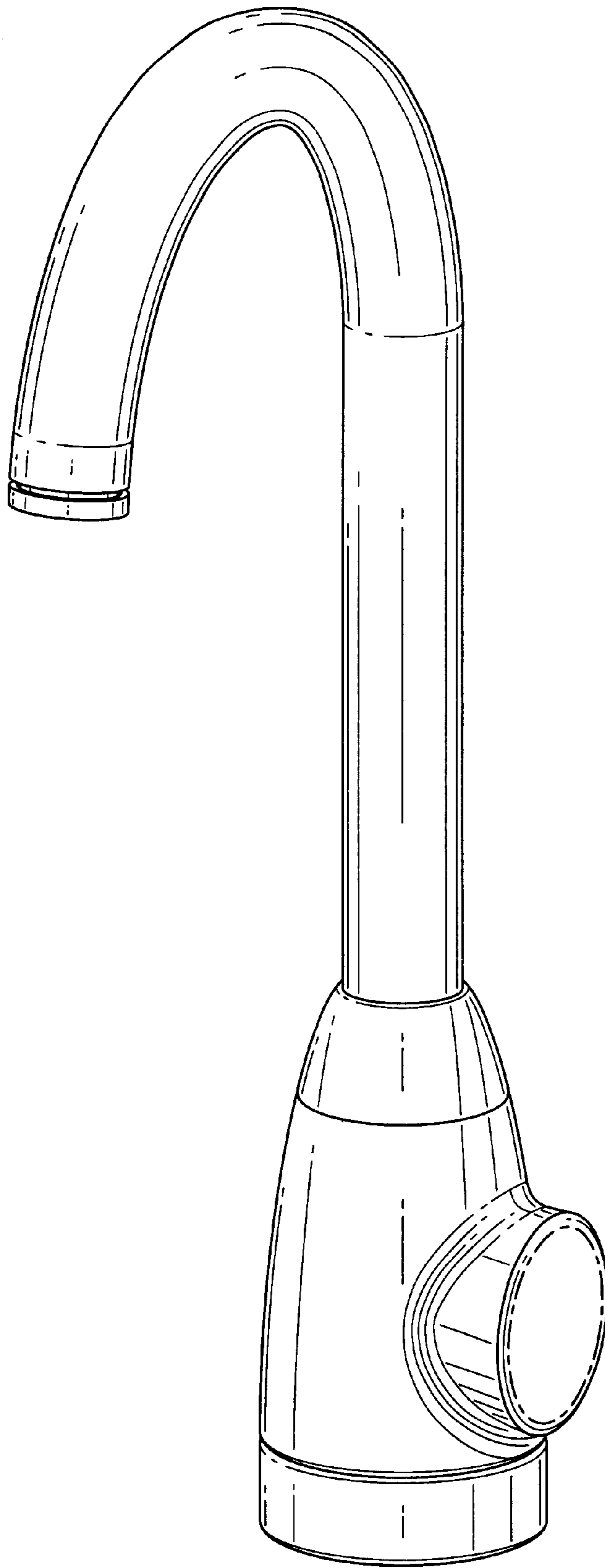


FIG. 1

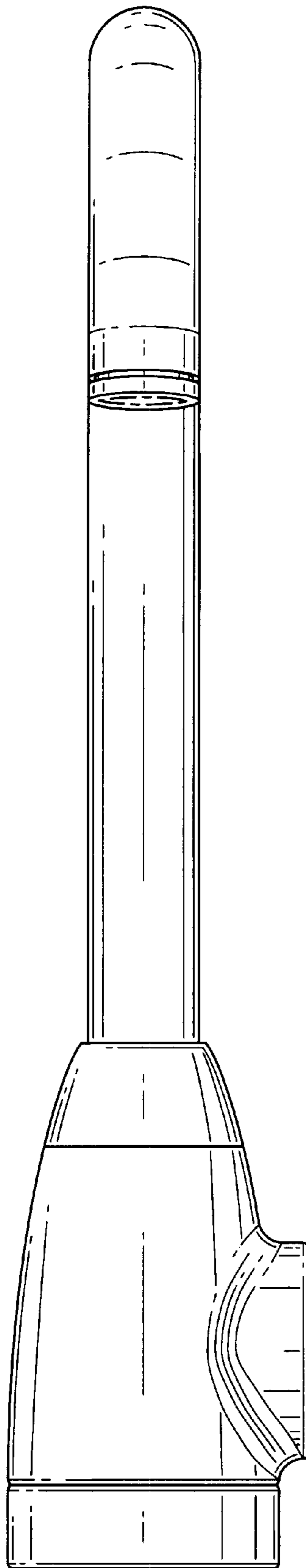


FIG. 2

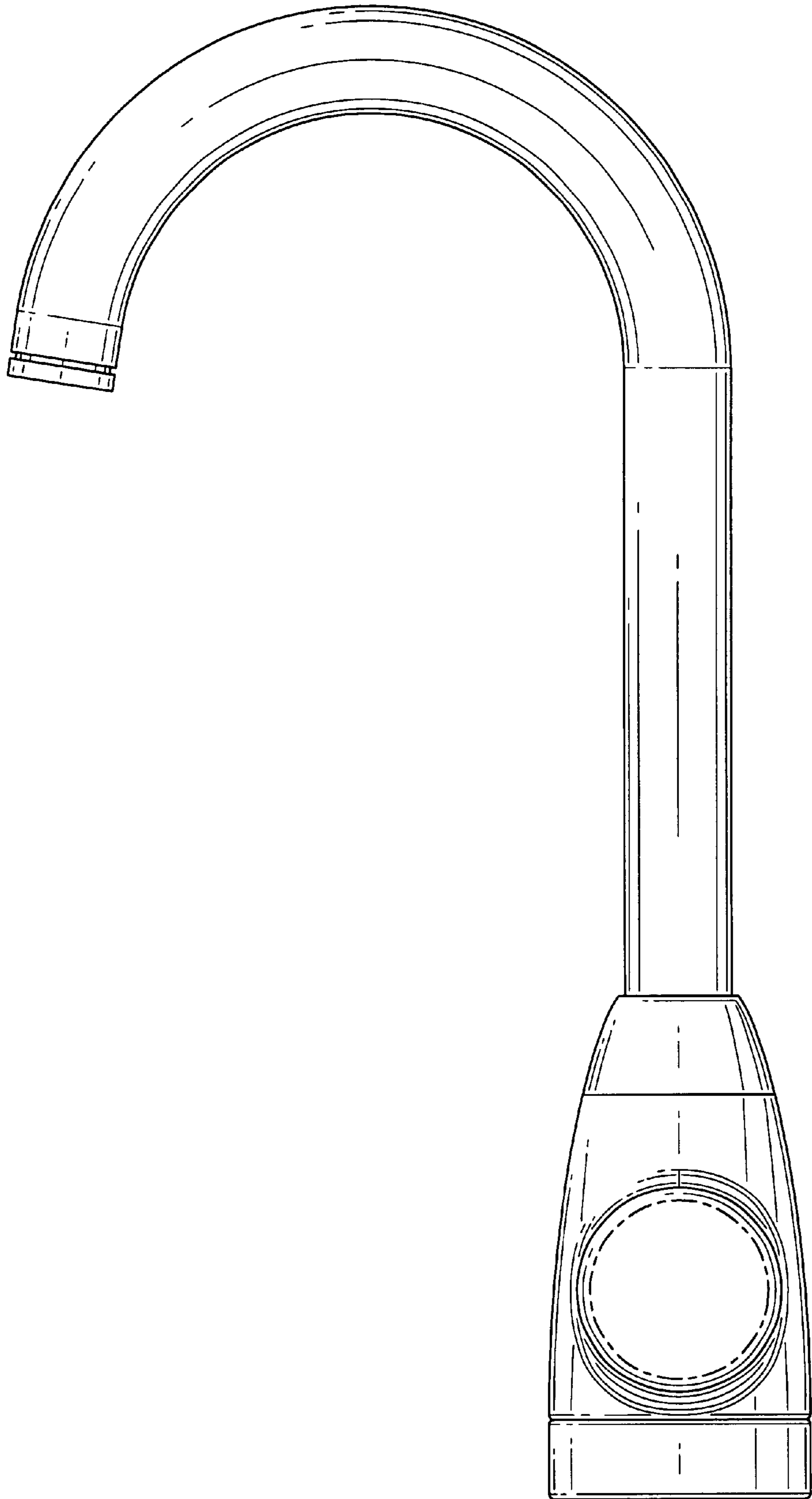


FIG. 3

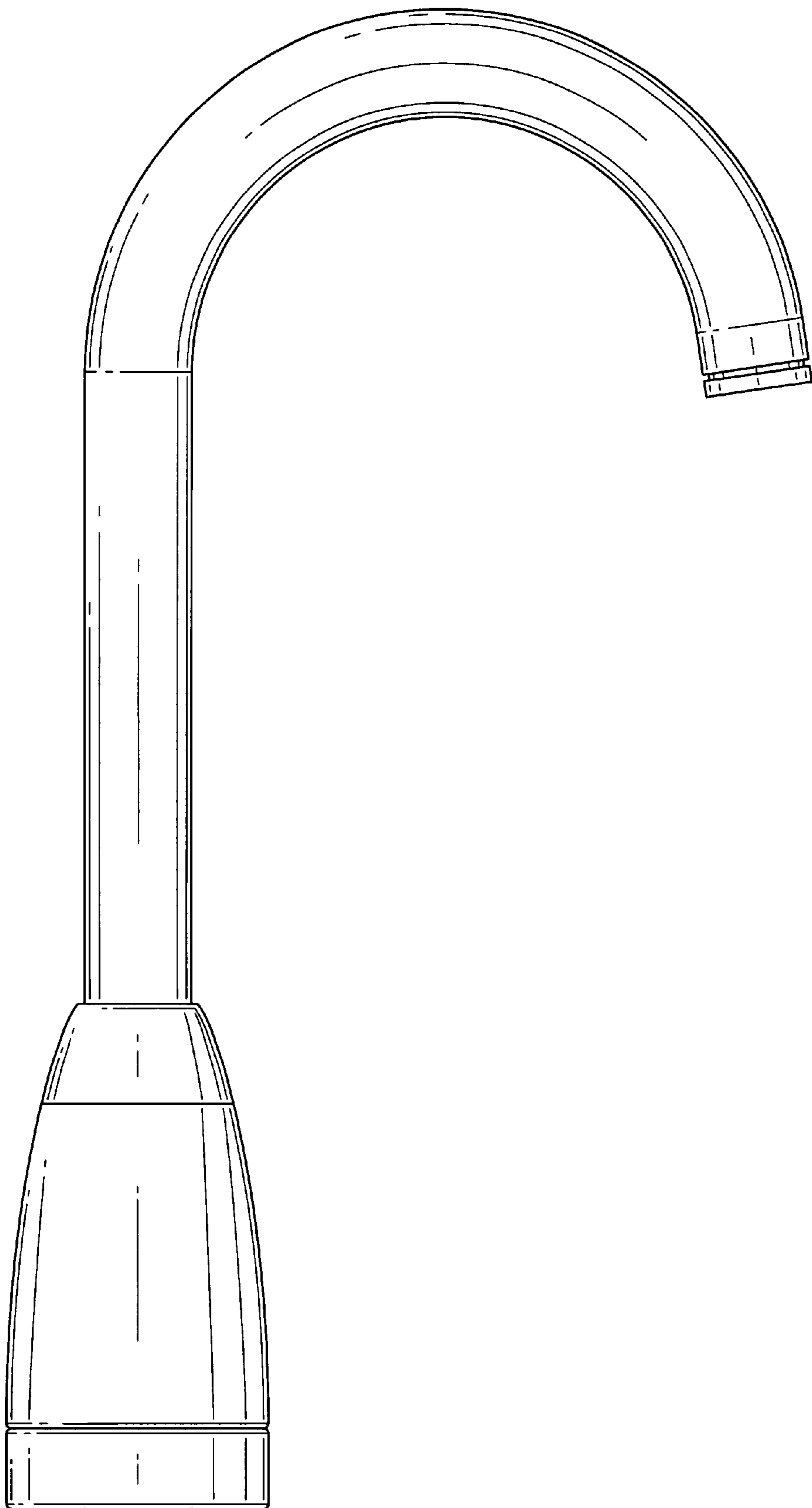


FIG. 4

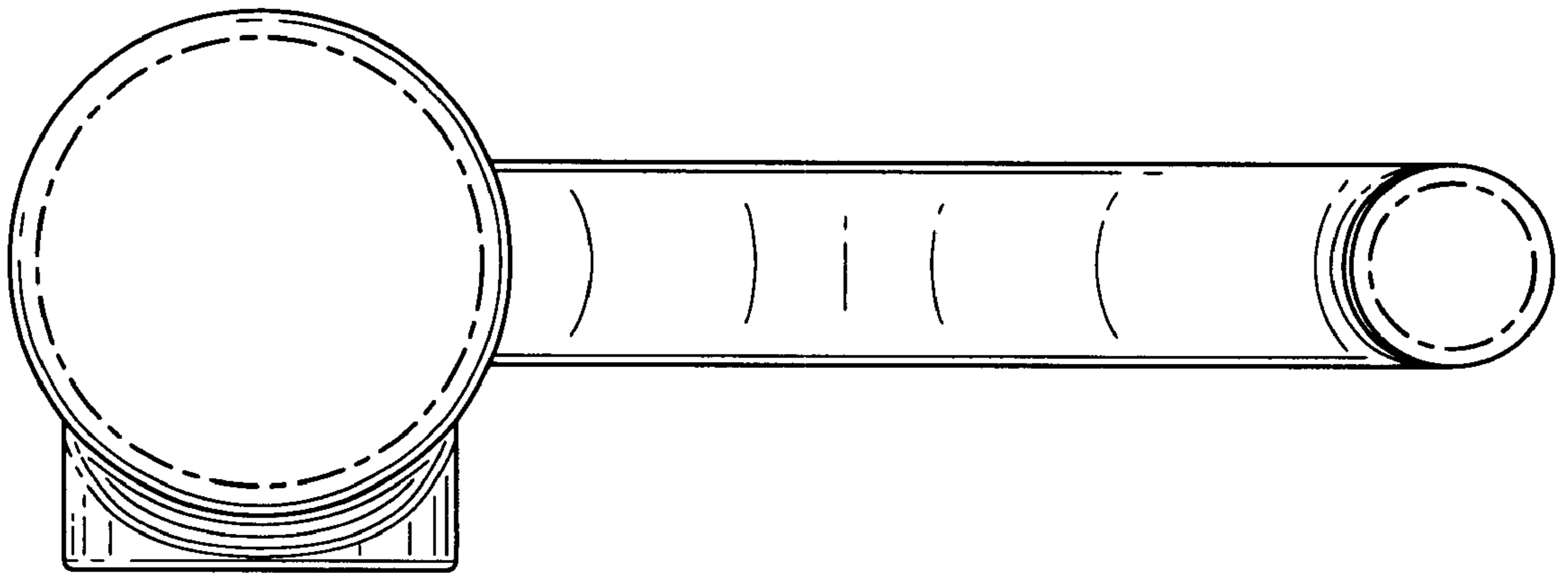


FIG. 6

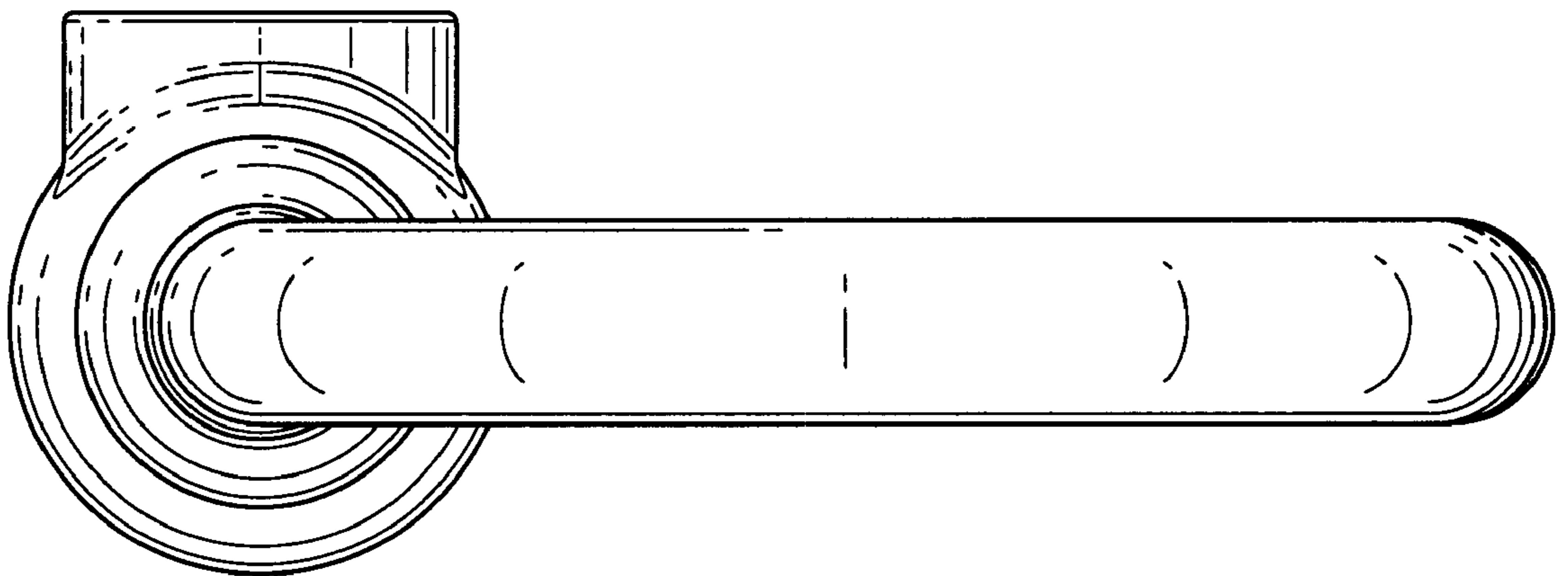


FIG. 5