



US00D468395S

(12) **United States Design Patent**
Lord

(10) **Patent No.: US D468,395 S**

(45) **Date of Patent: ** *Jan. 7, 2003**

(54) **VEGETABLE SPRAY**

(75) Inventor: **Judd A. Lord**, Carmel, IN (US)

(73) Assignee: **Masco Corporation of Indiana**,
Indianapolis, IN (US)

(*) Notice: This patent is subject to a terminal disclaimer.

(**) Term: **14 Years**

(21) Appl. No.: **29/148,305**

(22) Filed: **Sep. 18, 2001**

(51) **LOC (7) Cl.** **23-01**

(52) **U.S. Cl.** **D23/226; D23/223**

(58) **Field of Search** **D23/213, 223,**
D23/226, 239, 249, 250; 239/526; 4/615

(56) **References Cited**

U.S. PATENT DOCUMENTS

D308,093 S	5/1990	Hill et al.	
D406,317 S	3/1999	Hill et al.	
D415,822 S	* 10/1999	Ouyoung D23/226
D420,427 S	* 2/2000	Yung D23/226
D434,830 S	* 12/2000	Liou D23/226
D441,052 S	* 4/2001	Lu D23/226
D445,874 S	* 7/2001	Czerwinski D23/226

OTHER PUBLICATIONS

U.S. patent application Ser. No. 29/148,303 filed Sep. 18, 2001.

U.S. patent application Ser. No. 29/148,271 filed Sep. 18, 2001.

U.S. patent application Ser. No. 29/148,261 filed Sep. 18, 2001.

U.S. patent application Ser. No. 29/148,300 filed Sep. 18, 2001.

U.S. patent application Ser. No. 29/148,304 filed Sep. 18, 2001.

* cited by examiner

Primary Examiner—Robin V. Taylor

(74) *Attorney, Agent, or Firm*—Myron B. Kapustij; Lloyd D. Doigan

(57) **CLAIM**

The ornamental design for a vegetable spray, as shown and described.

DESCRIPTION

FIG. 1 is a front perspective view of the vegetable spray showing my new design;

FIG. 2 is a rear perspective view thereof;

FIG. 3 is a left side elevational view thereof;

FIG. 4 is a rear elevational view thereof;

FIG. 5 is a top plan view thereof;

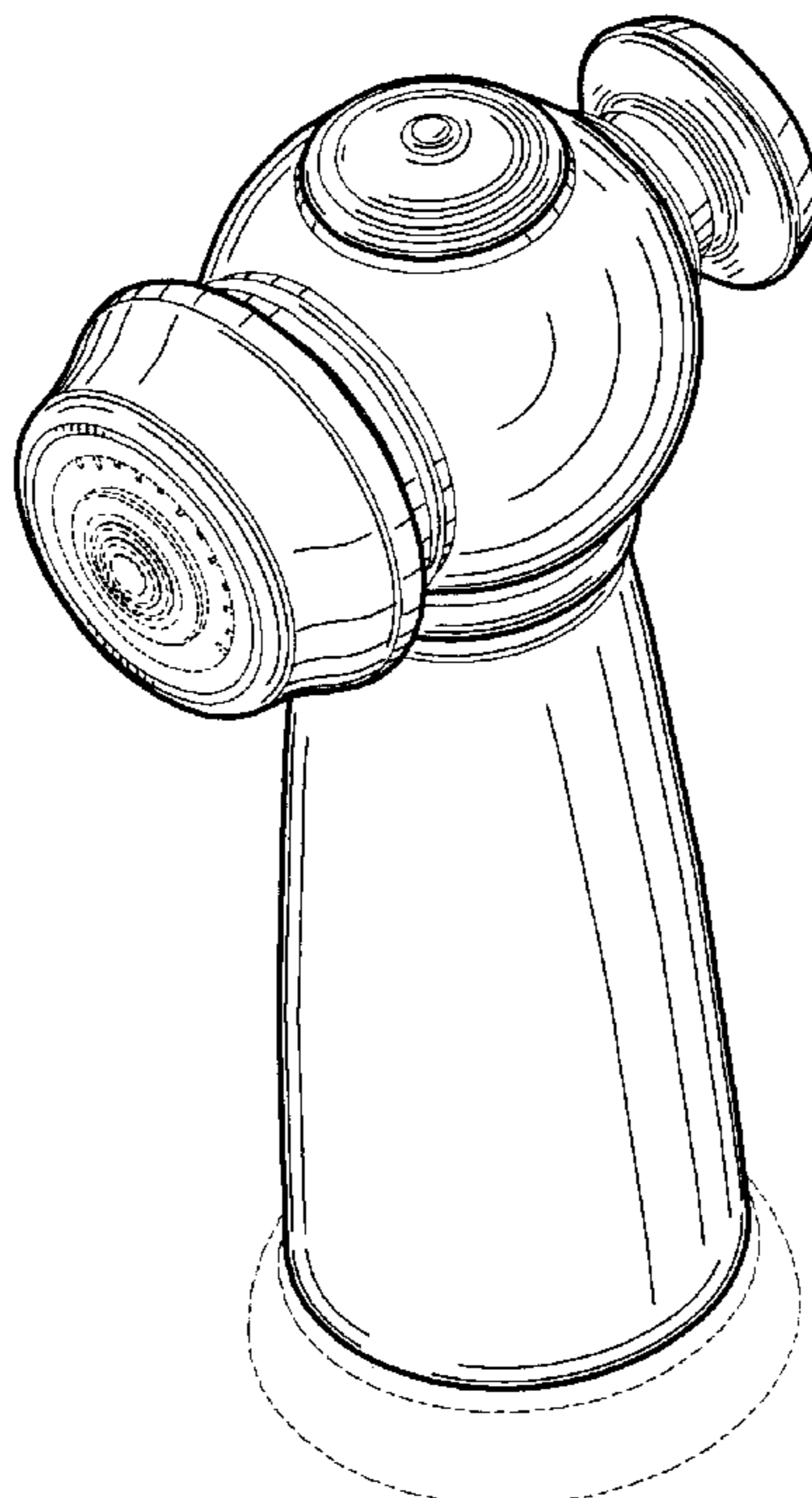
FIG. 6 is a front elevational view thereof;

FIG. 7 is a bottom plan view thereof; and,

FIG. 8 is a right side elevational view thereof.

The broken line showings of the base in FIGS. 1–8, of the faceplate in FIGS. 1, 3, 5–8, of the inner part of the activation button in FIG. 7, and of the interior annular shoulders in FIG. 7 are for purposes of illustration only and form no part of the claimed design.

1 Claim, 5 Drawing Sheets



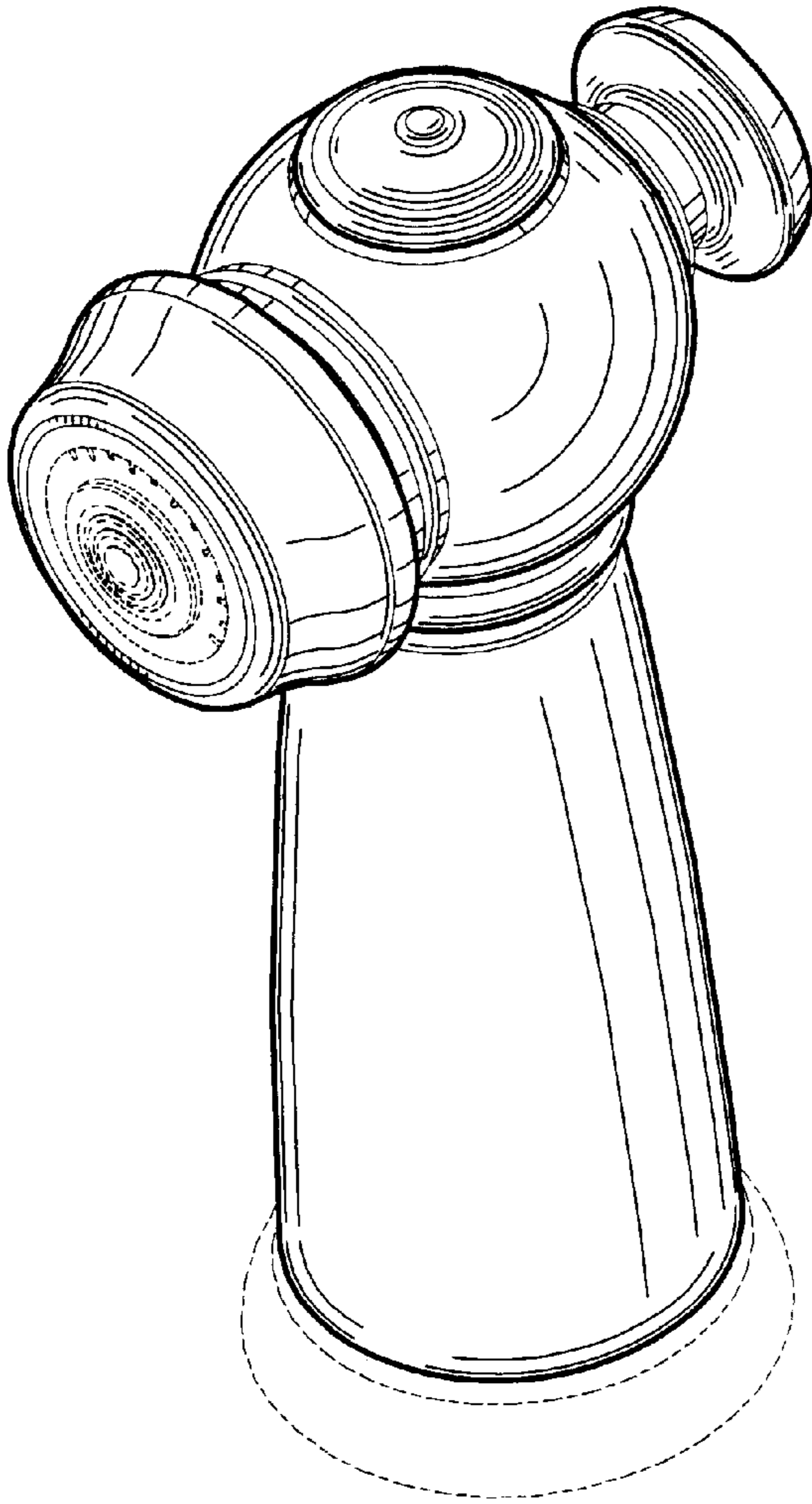


Figure - 1

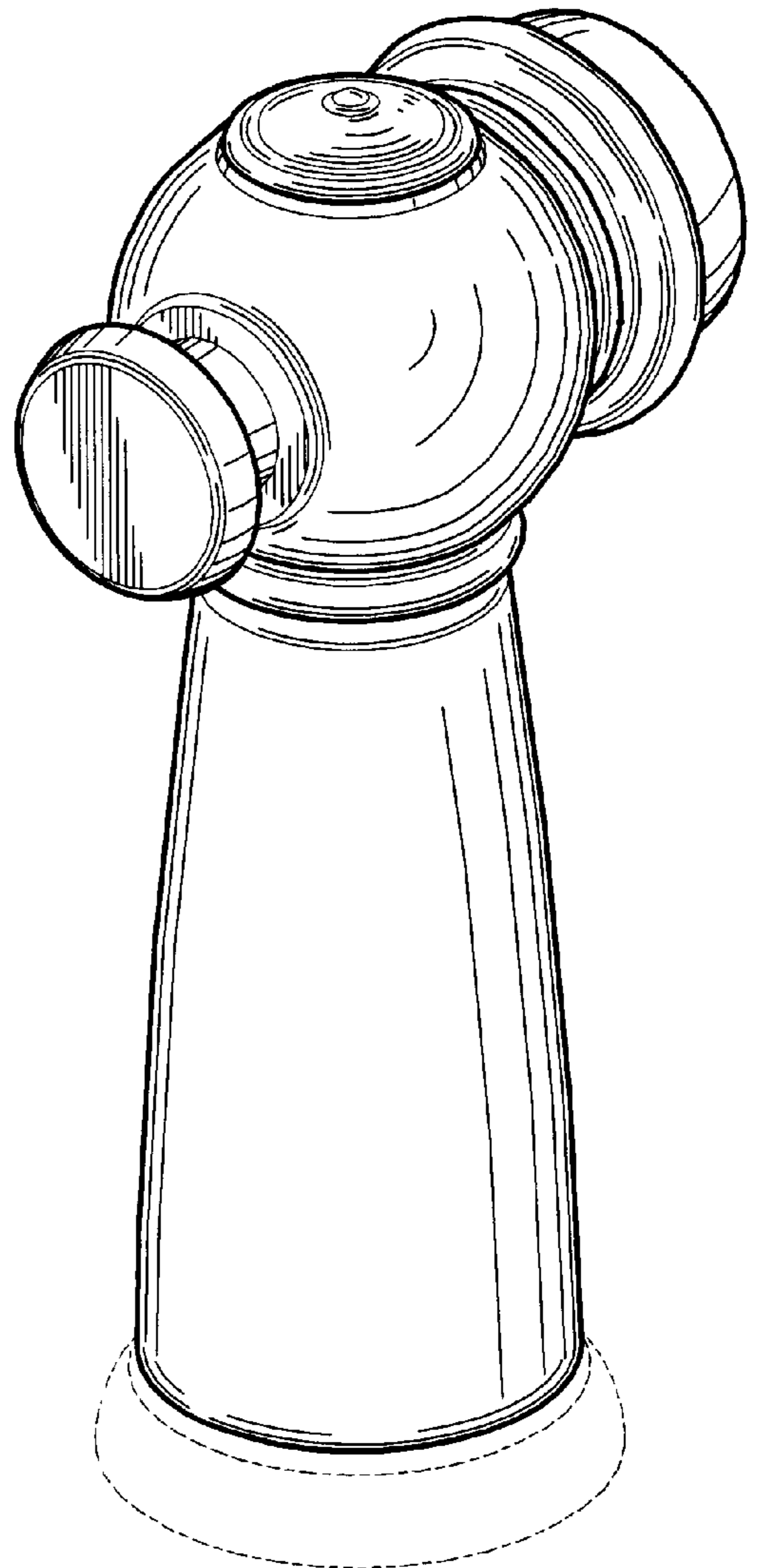


Figure - 2

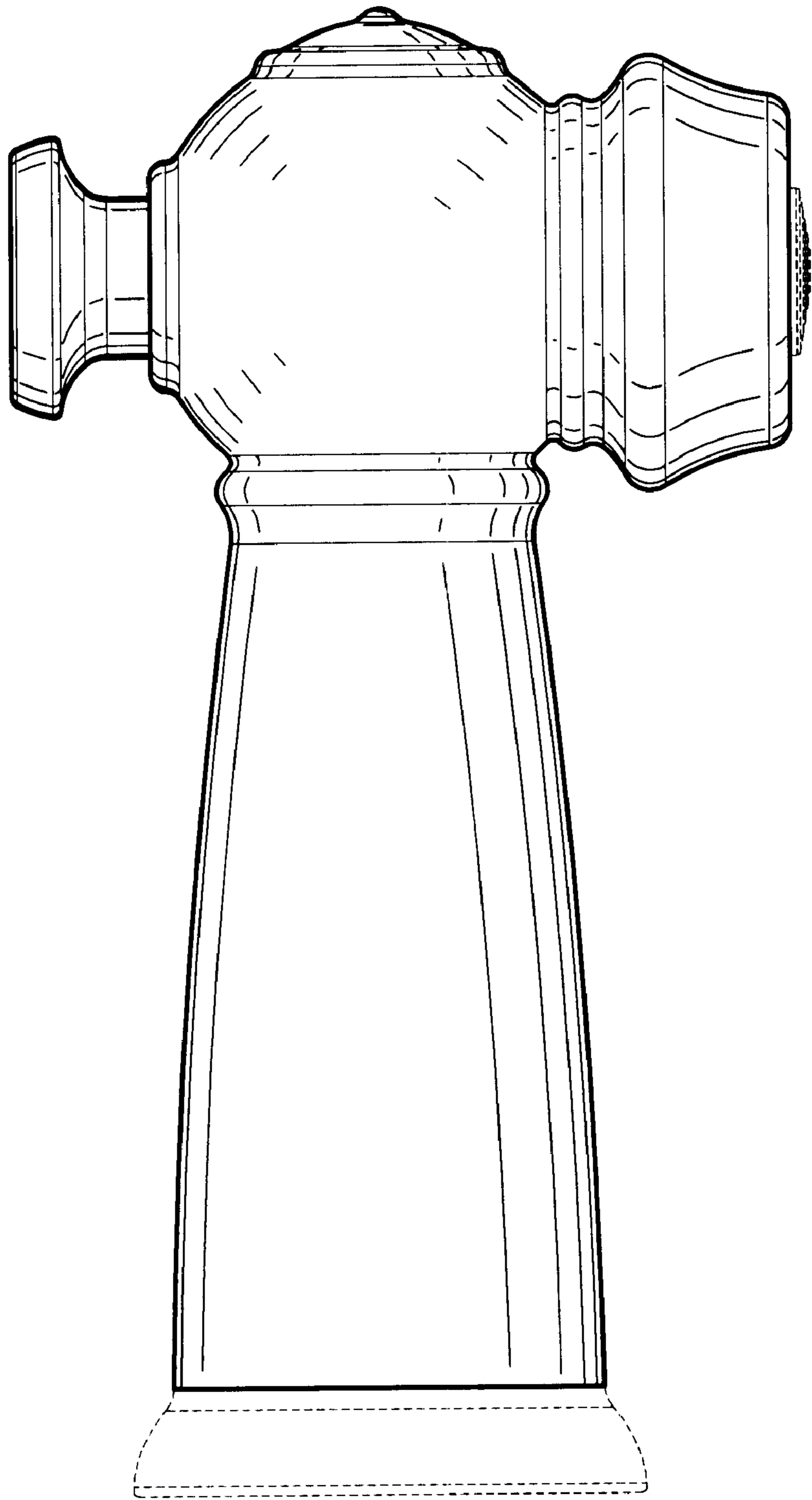


Figure - 3

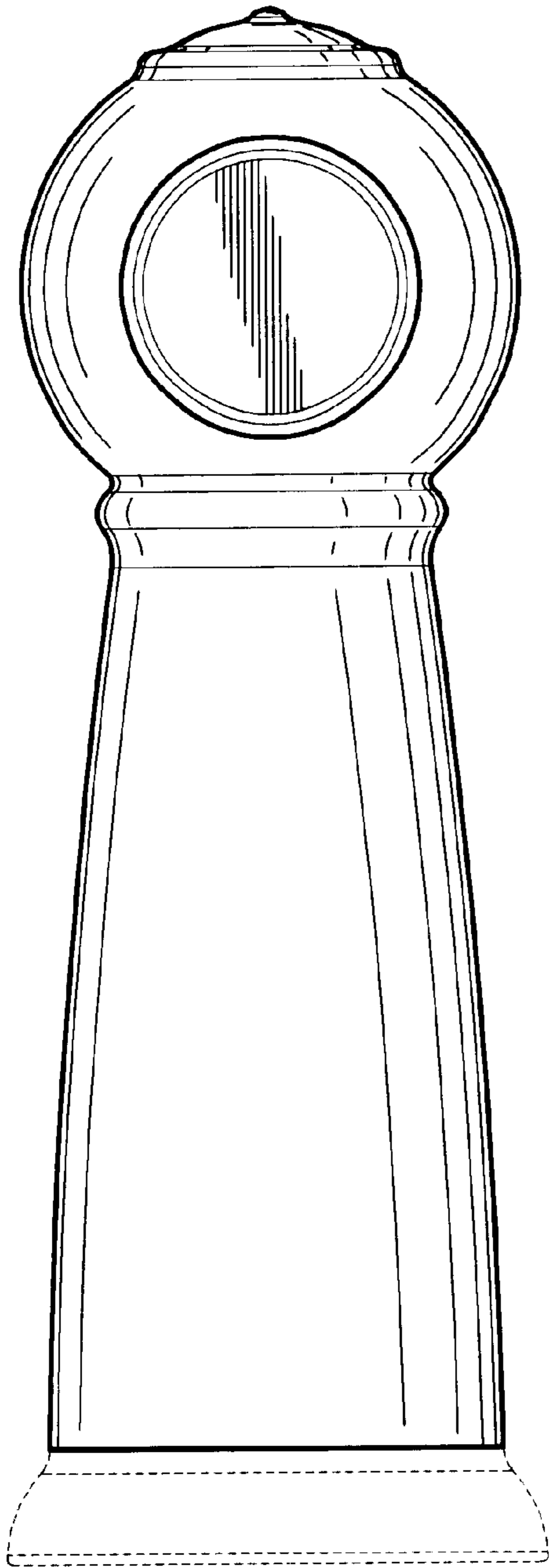


Figure - 4

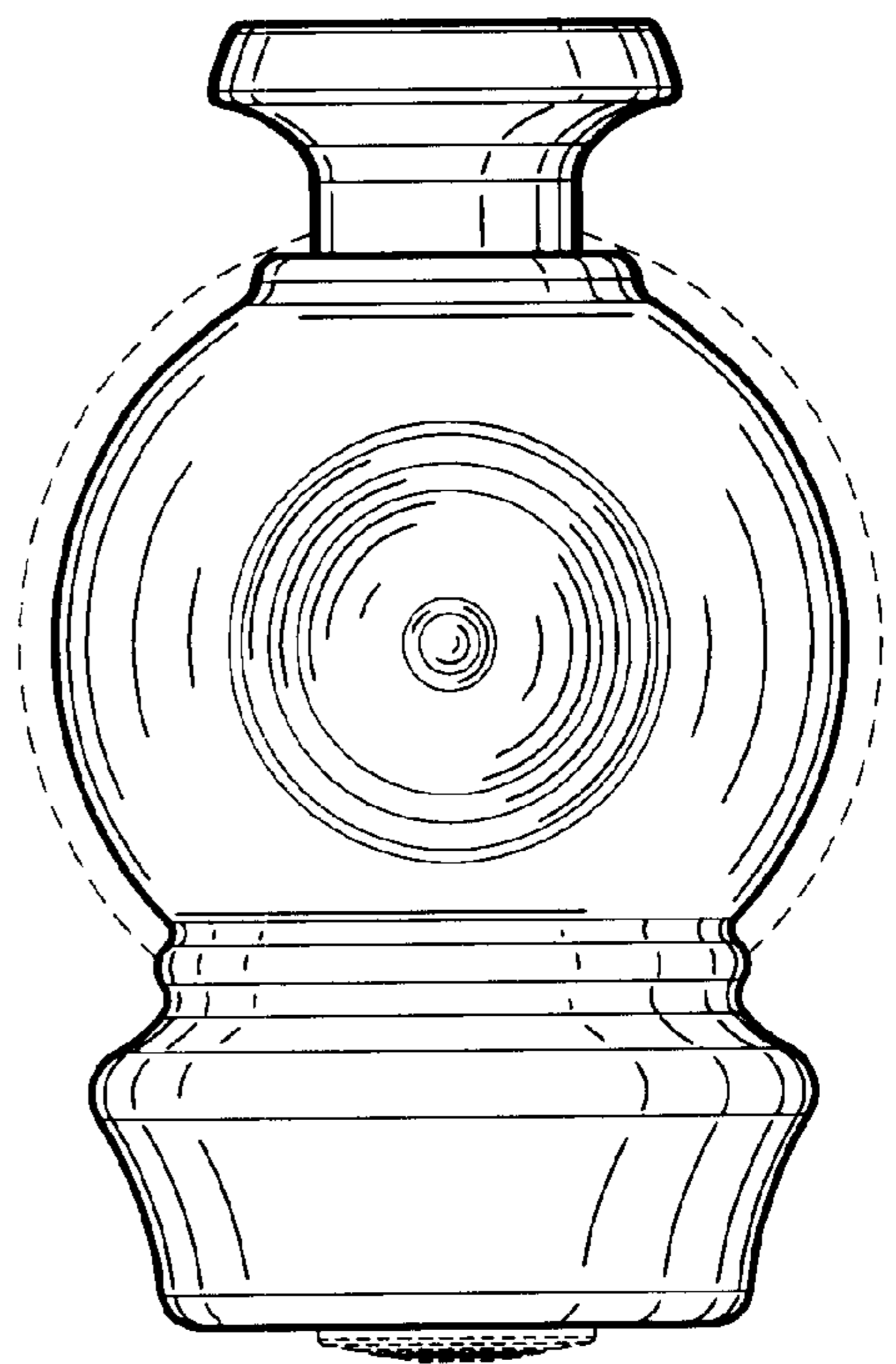


Figure - 5

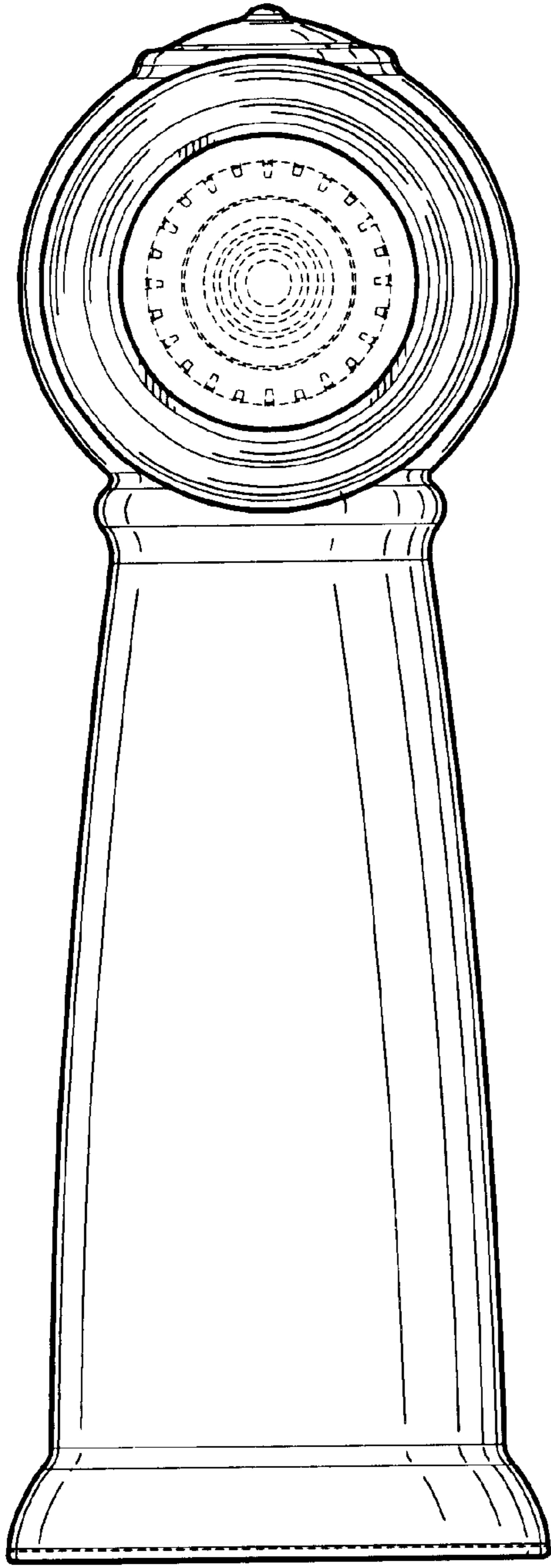
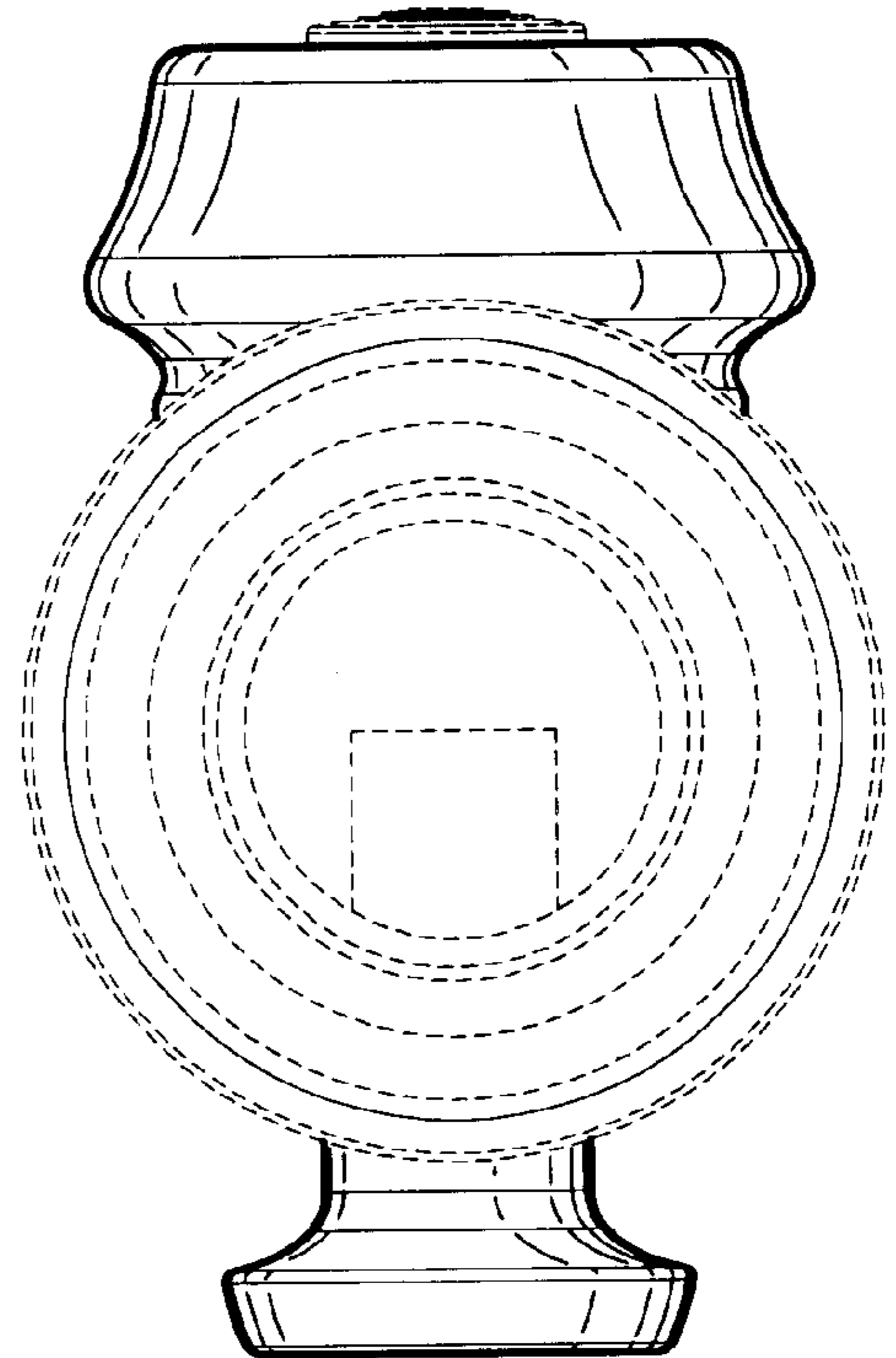


Figure - 7

Figure - 6



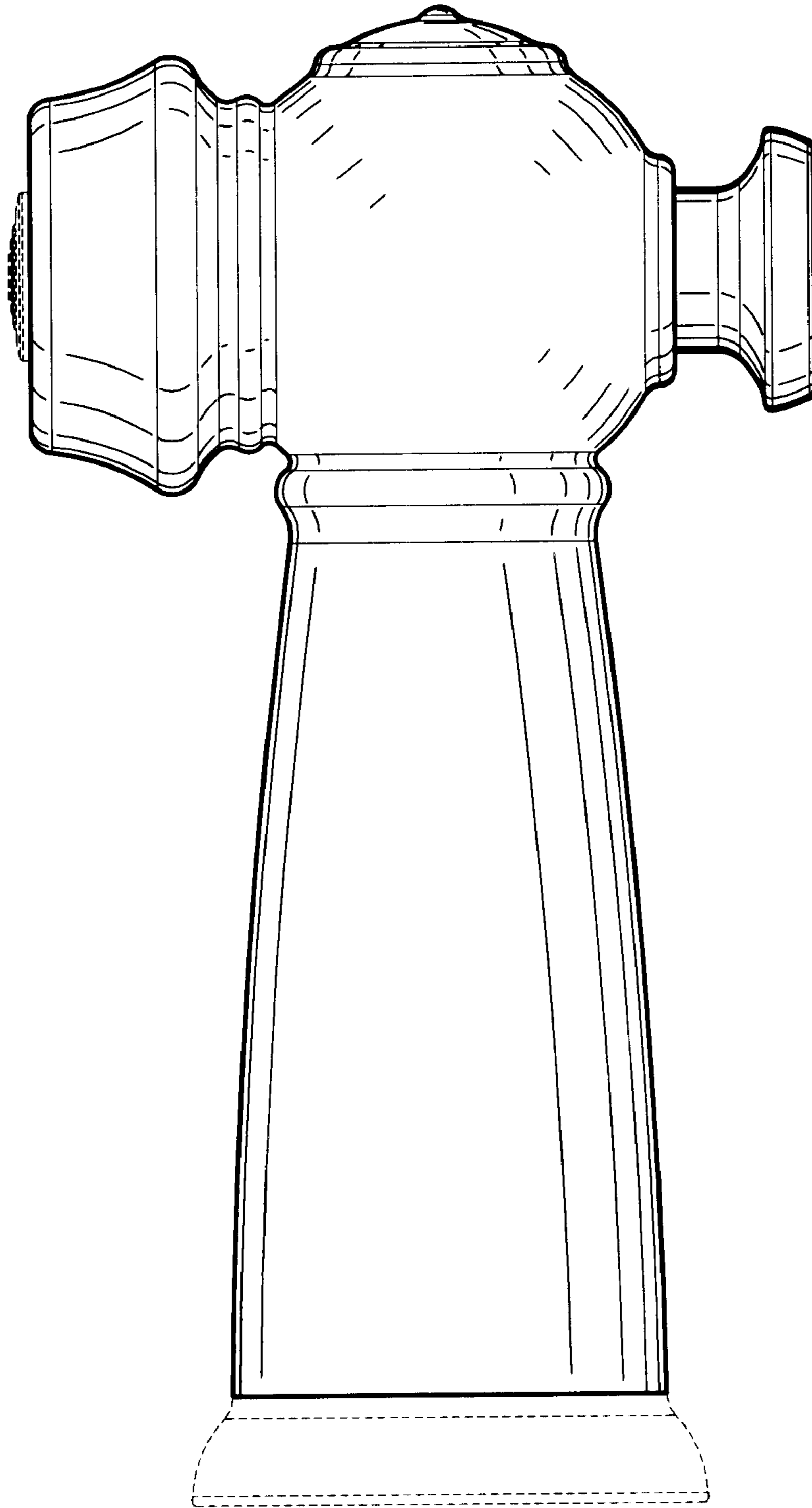


Figure - 8