



US00D468394S

(12) **United States Design Patent**
Cummings

(10) **Patent No.:** **US D468,394 S**

(45) **Date of Patent:** **** Jan. 7, 2003**

(54) **SHOWER HEAD**

D385,335 S * 10/1997 Caroen et al. D23/213
D450,370 S * 11/2001 Wales et al. D23/213

(75) Inventor: **Stephen Cummings**, Newport (AU)

* cited by examiner

(73) Assignee: **Dorf Clark Industries Limited**,
Brisbane (AU)

Primary Examiner—Robin V. Taylor

(**) Term: **14 Years**

(74) *Attorney, Agent, or Firm*—David P. Gordon; David S. Jacobson; Thomas A. Gallagher

(21) Appl. No.: **29/152,909**

(57) **CLAIM**

(22) Filed: **Oct. 26, 2001**

The ornamental design for a shower head, as shown and described.

(30) **Foreign Application Priority Data**

DESCRIPTION

Apr. 27, 2001 (AU) 1357/2001

FIG. 1 is a perspective view of a Shower Head, showing my new design;

(51) **LOC (7) Cl.** **23-01**

FIG. 2 is a left side elevational view thereof.

(52) **U.S. Cl.** **D23/213; D23/229**

FIG. 3 is a right side elevational view thereof.

(58) **Field of Search** D23/213, 229,
D23/230, 228; 239/587.1, 587.5, 587.4

FIG. 4 is a right side elevational view, with the shower head in a higher position, thereof;

(56) **References Cited**

FIG. 5 is a top plan view thereof;

U.S. PATENT DOCUMENTS

FIG. 6 is a bottom plan view thereof; and,

D77,442 S * 1/1929 Smith D23/213

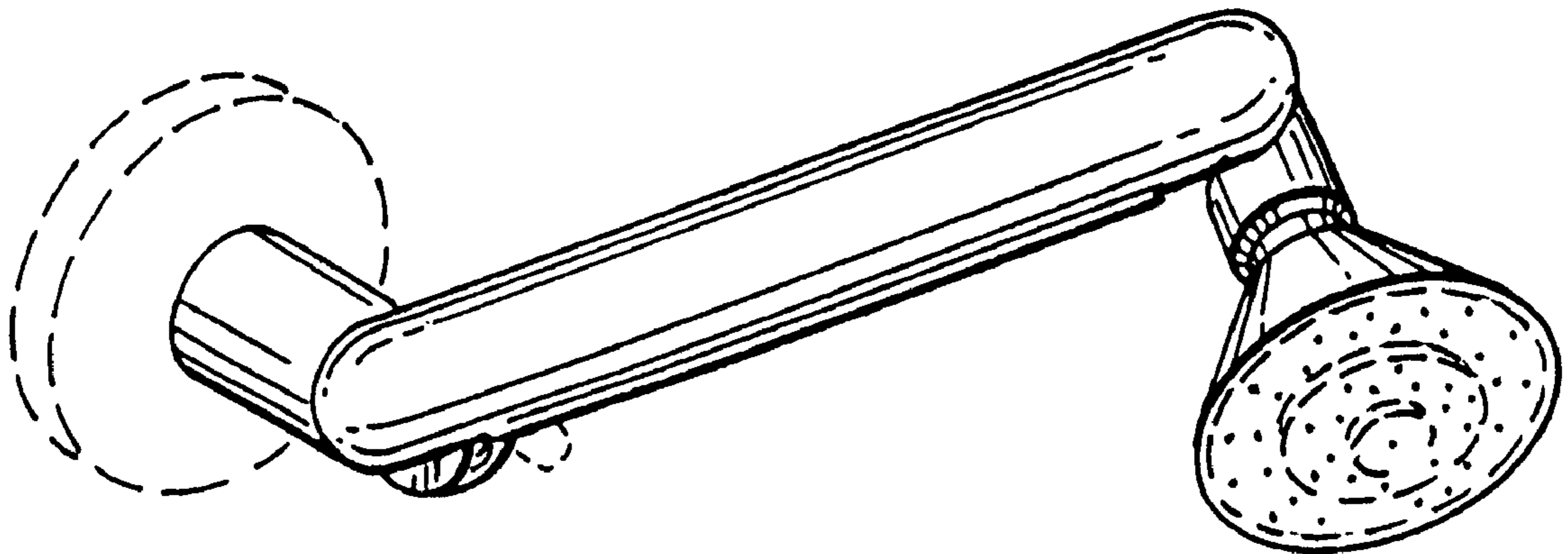
FIG. 7 is a front view of the shower head.

D260,809 S * 9/1981 Fleischmann et al. D23/213

The broken line showing is for illustrative purposes only and forms no part of the claimed design.

D325,769 S * 4/1992 Haug et al. D23/213

1 Claim, 4 Drawing Sheets



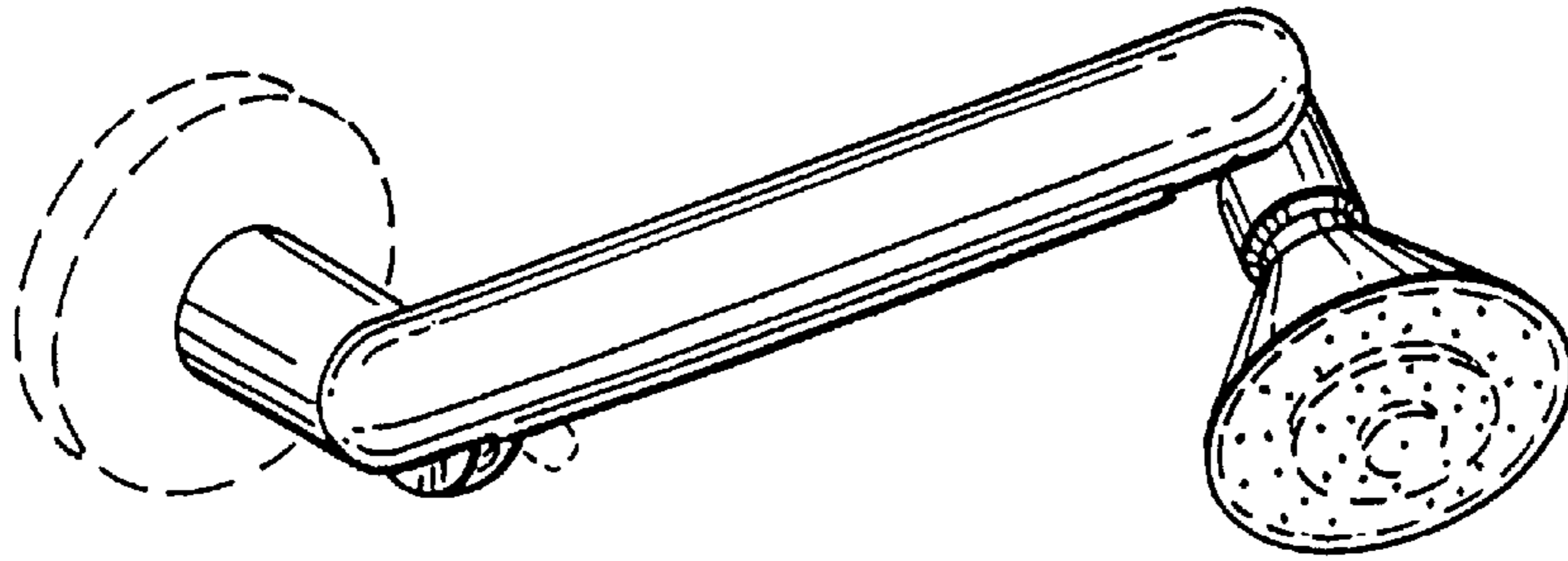


FIG. 1

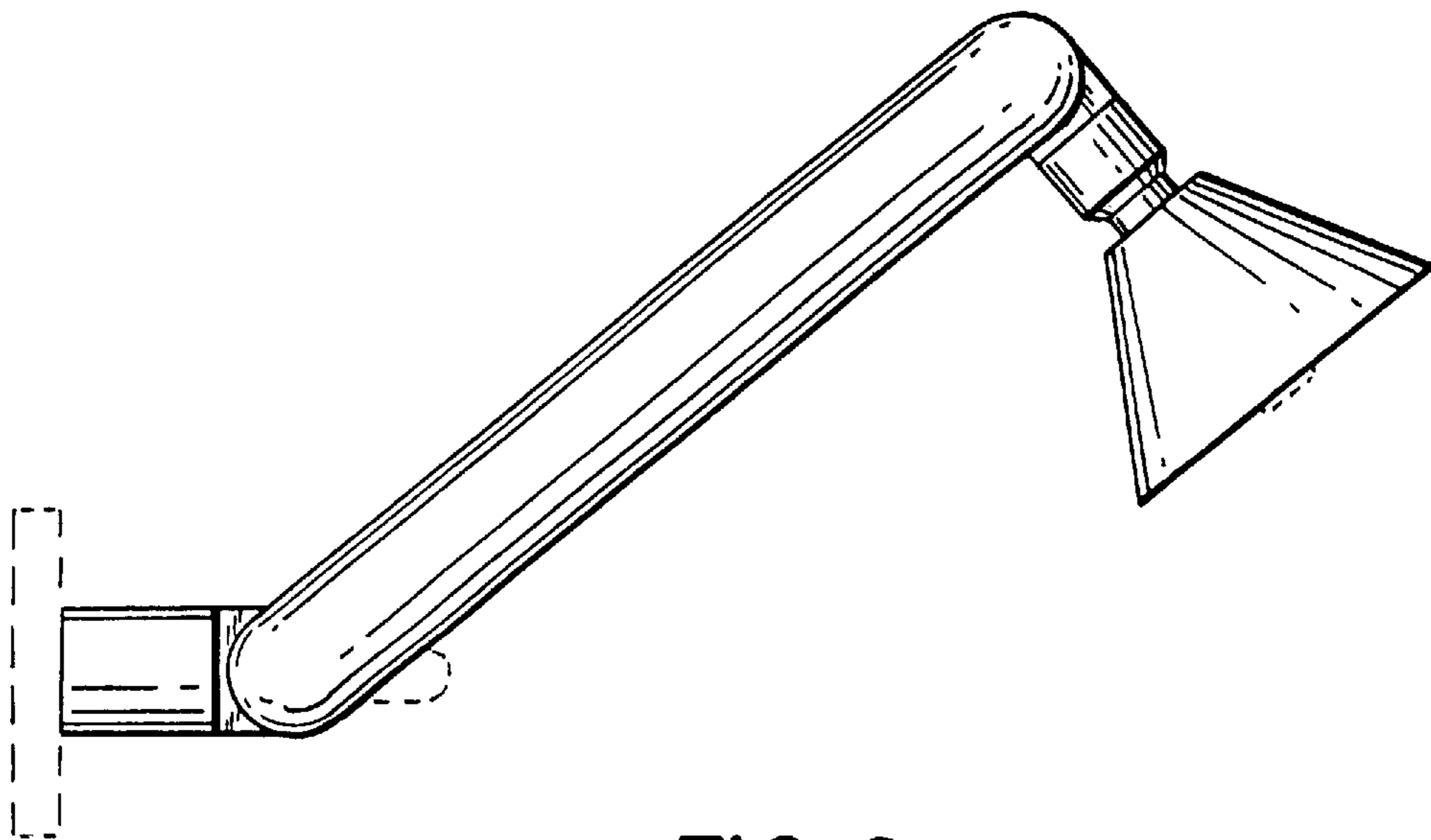


FIG. 2

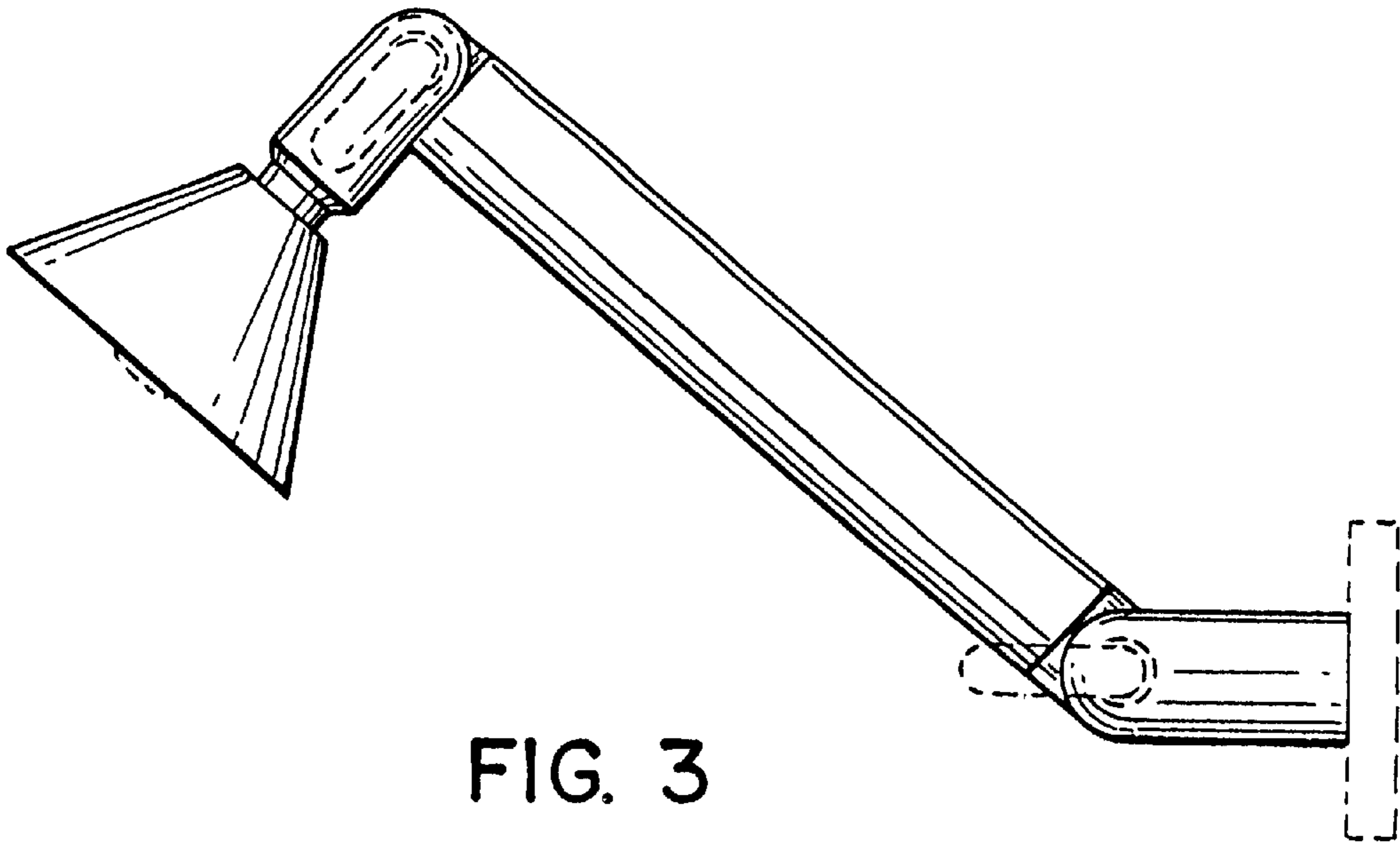


FIG. 3

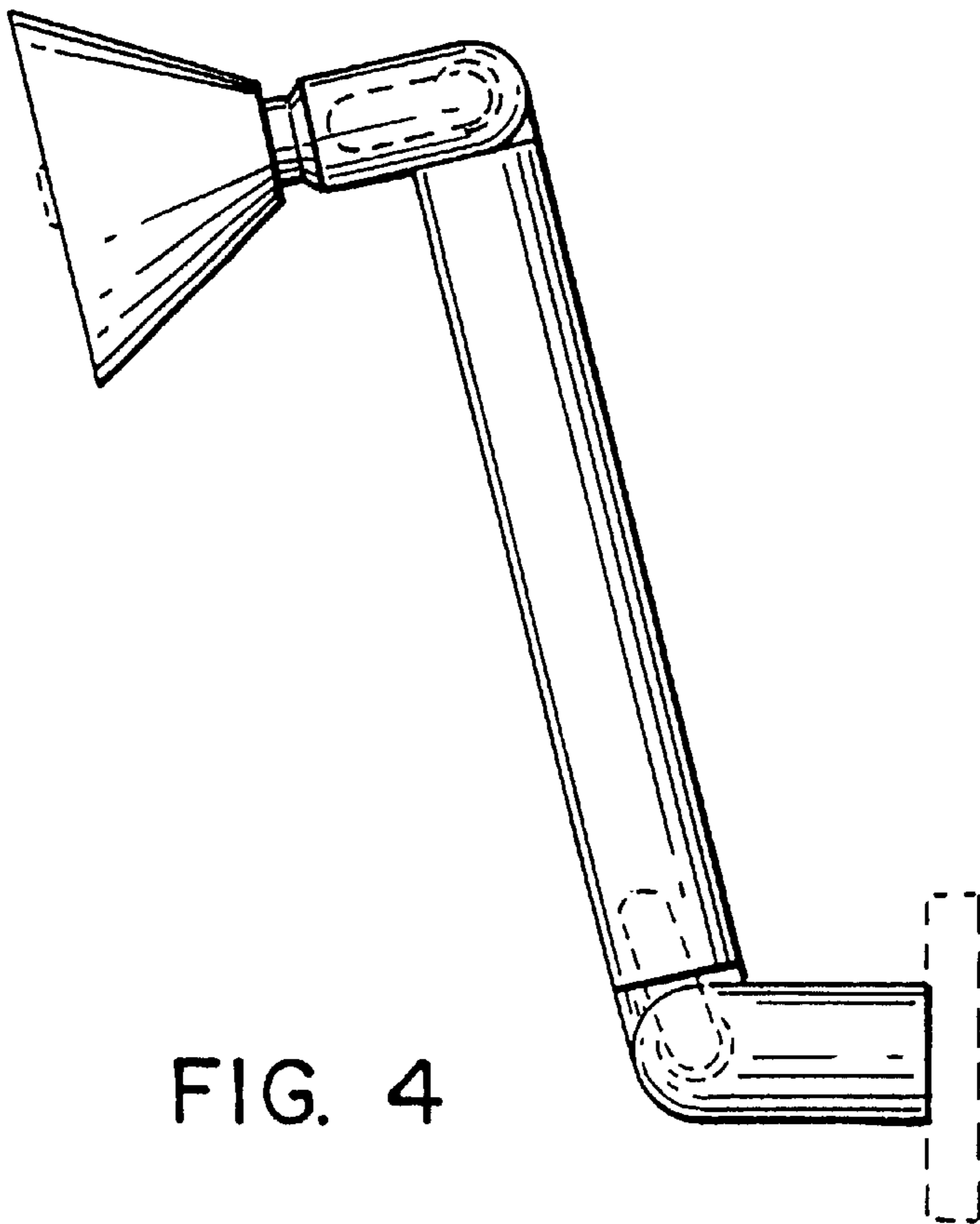


FIG. 4

FIG. 5

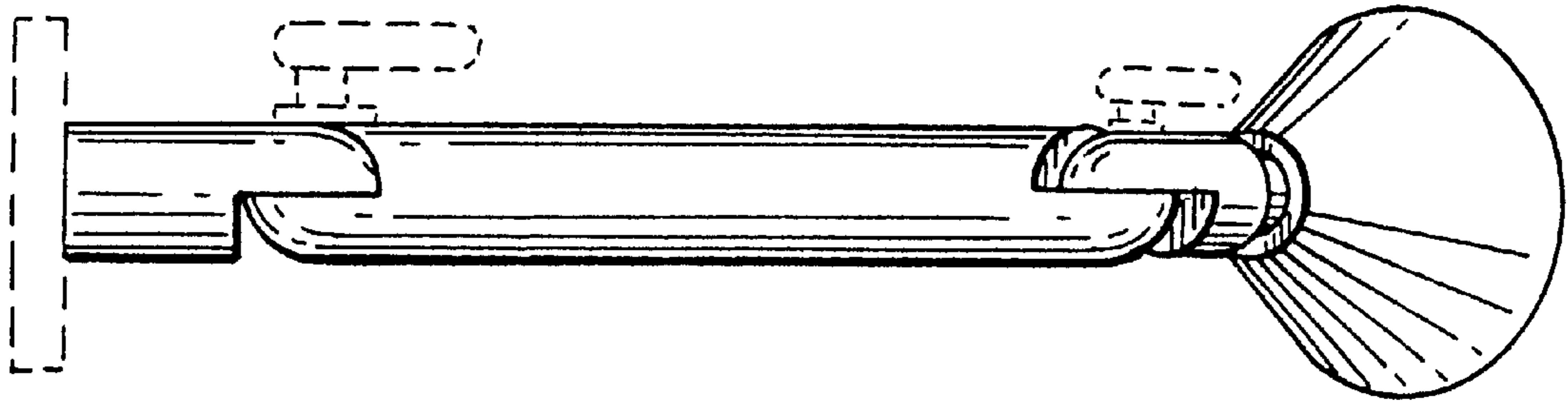
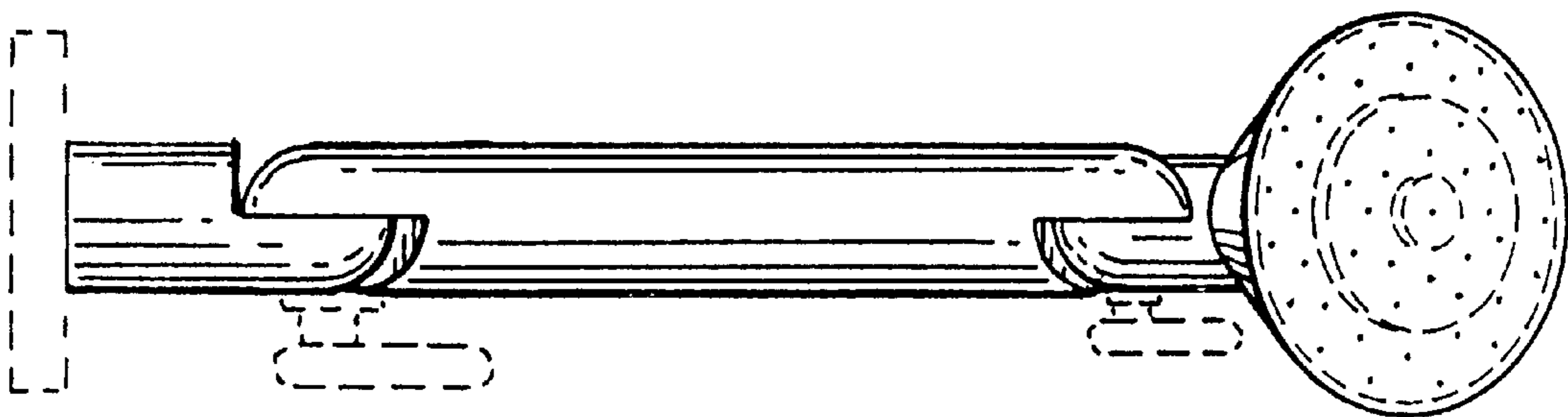


FIG. 6



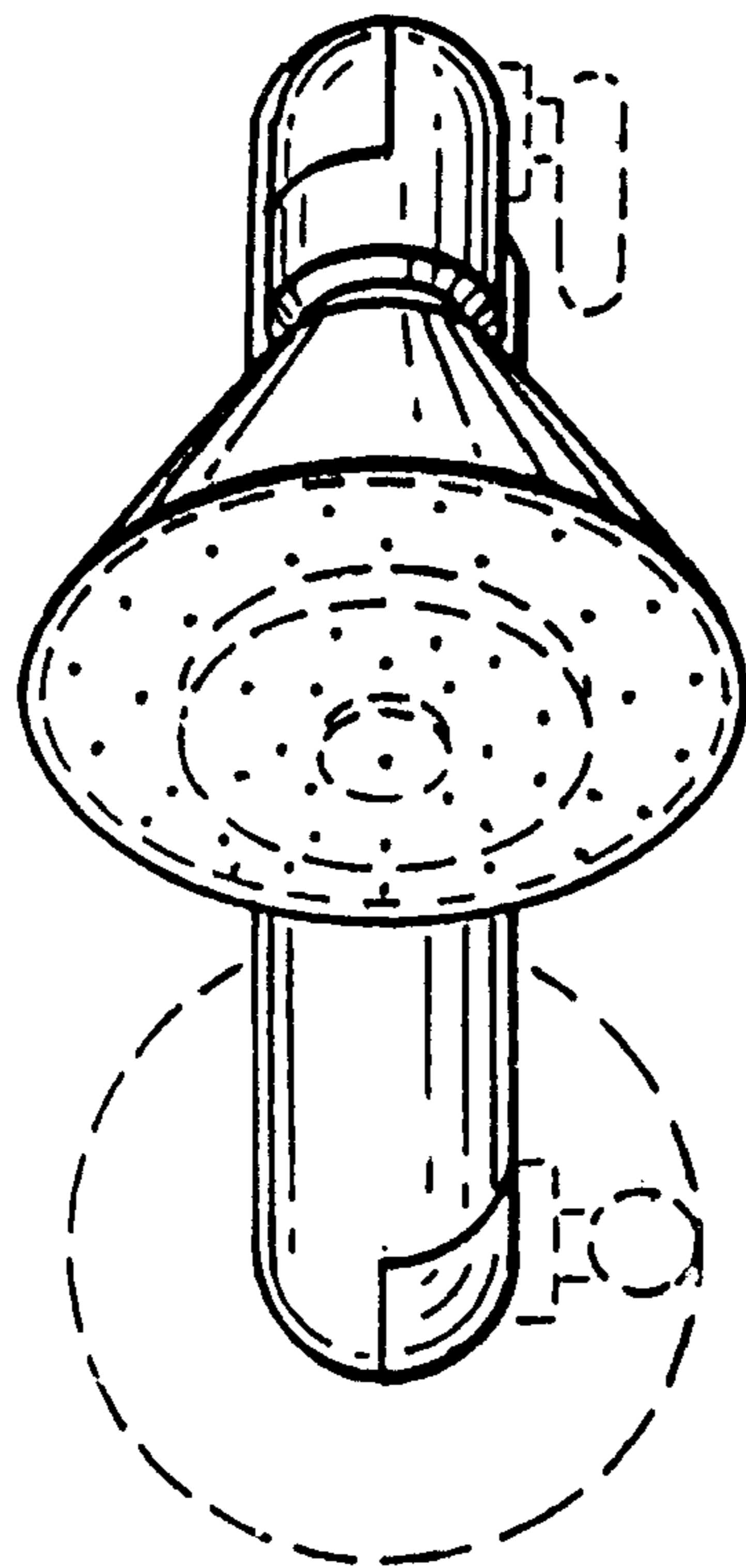


FIG. 7