



US00D468393S

(12) **United States Design Patent**
Agresta et al.

(10) **Patent No.:** **US D468,393 S**

(45) **Date of Patent:** **** Jan. 7, 2003**

(54) **AQUARIUM FILTER**

(75) Inventors: **Mark Gerard Agresta**, Blacksburg, VA (US); **Joseph Christopher Carley**, Blacksburg, VA (US)

(73) Assignee: **Warner-Lambert Company**, Morris Plains, NJ (US)

(**) Term: **14 Years**

(21) Appl. No.: **29/158,129**

(22) Filed: **Mar. 28, 2002**

(51) **LOC (7) Cl.** **23-01**

(52) **U.S. Cl.** **D23/210**

(58) **Field of Search** D23/210, 209; 210/416.2, 169

(56) **References Cited**

U.S. PATENT DOCUMENTS

5,626,747 A * 5/1997 Ritzow et al. 210/169

D392,717 S * 3/1998 Conger D23/210

* cited by examiner

Primary Examiner—Robin V. Taylor

(74) *Attorney, Agent, or Firm*—Evan J. Federman; Darryl C. Little

(57) **CLAIM**

The ornamental design of an aquarium filter, as shown and described.

DESCRIPTION

FIG. 1 is a perspective view of the filter;
FIG. 2 is a top plan view of the plan view of the filter;
FIG. 3 is a front elevational view of the filter;
FIG. 4 is a right side elevational view of the filter;
FIG. 5 is a left side elevational view of the filter;
FIG. 6 is a rear elevational view of the filter;
FIG. 7 is a bottom plan view of the filter; and,
FIG. 8 is a perspective view of the filter.
The broken line showing of filter accessories in FIGS. 1–2 and 4–8 and the area within are environmental only and form no part of the claimed design.

1 Claim, 8 Drawing Sheets

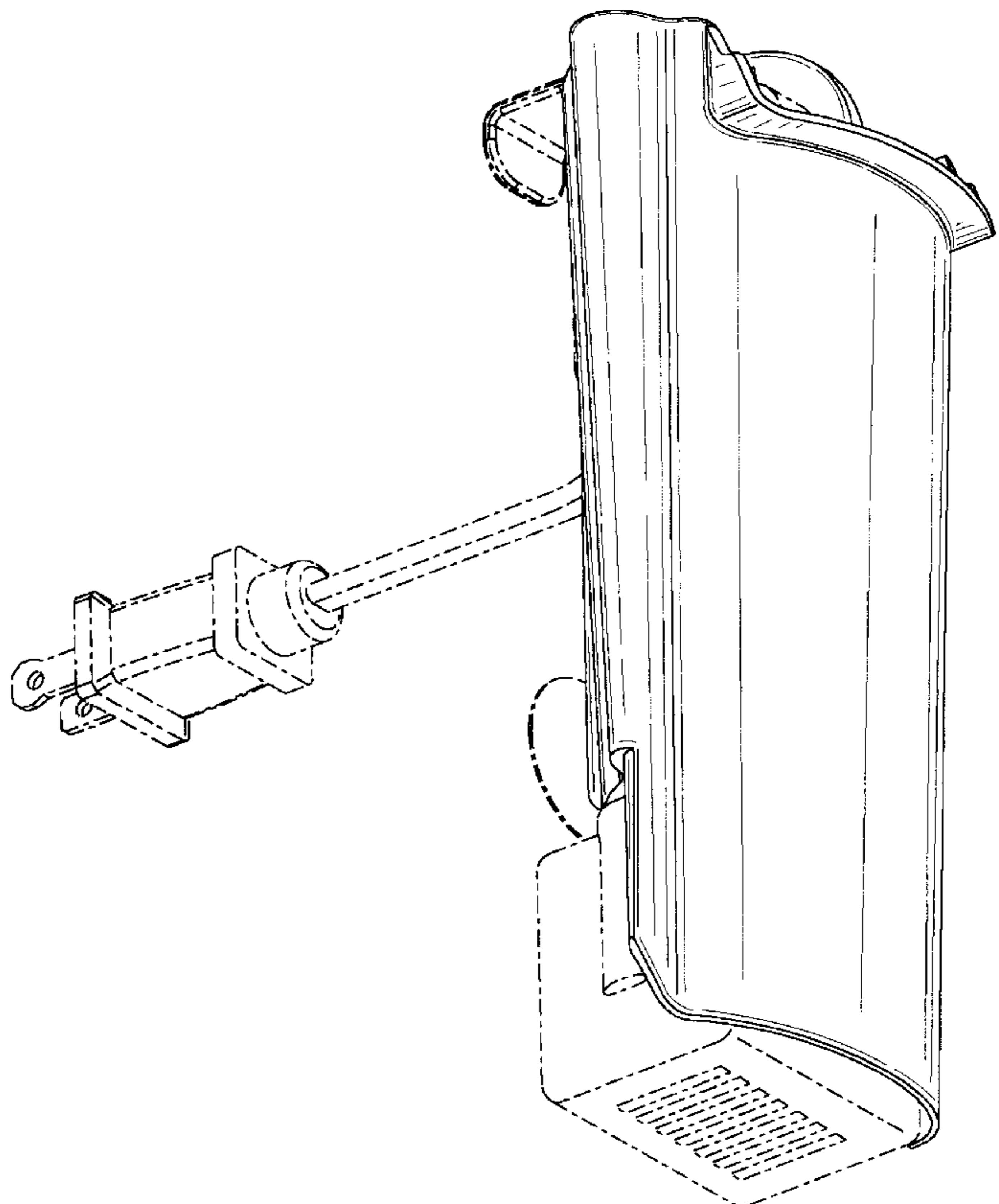
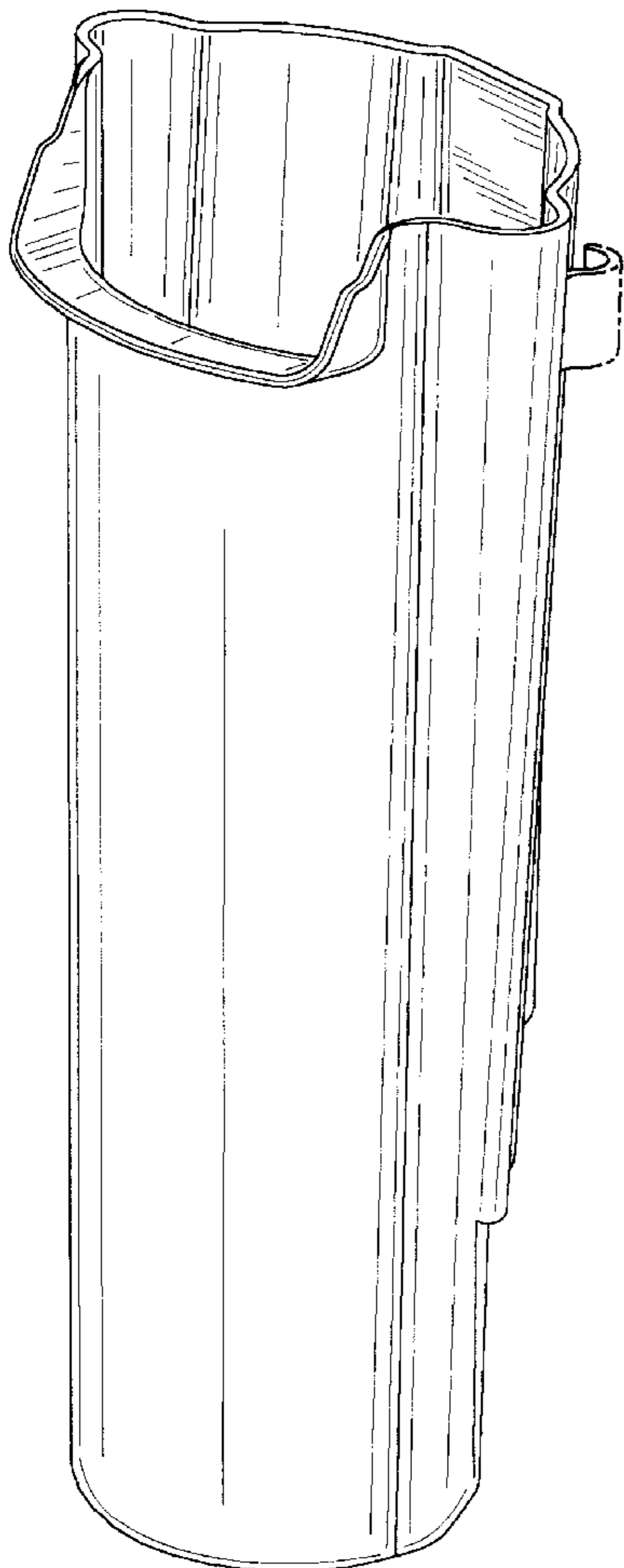


FIG. 1

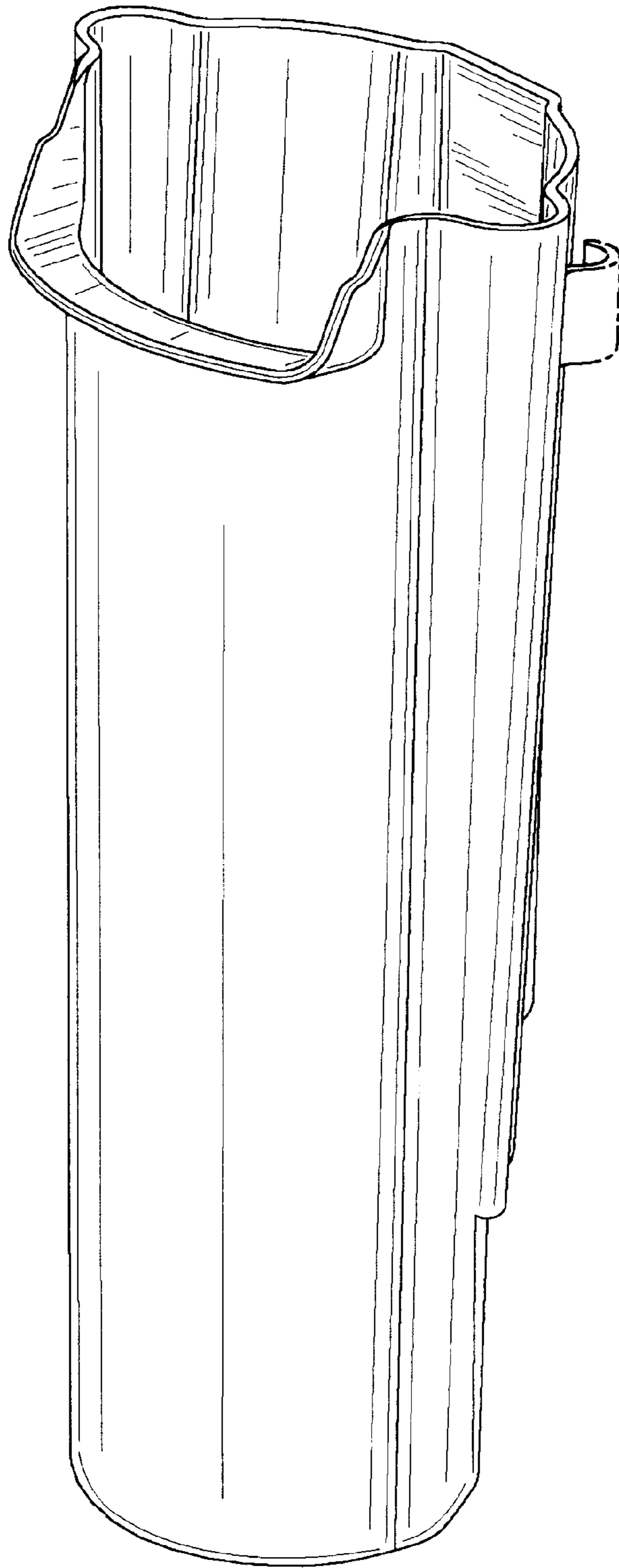


FIG. 2

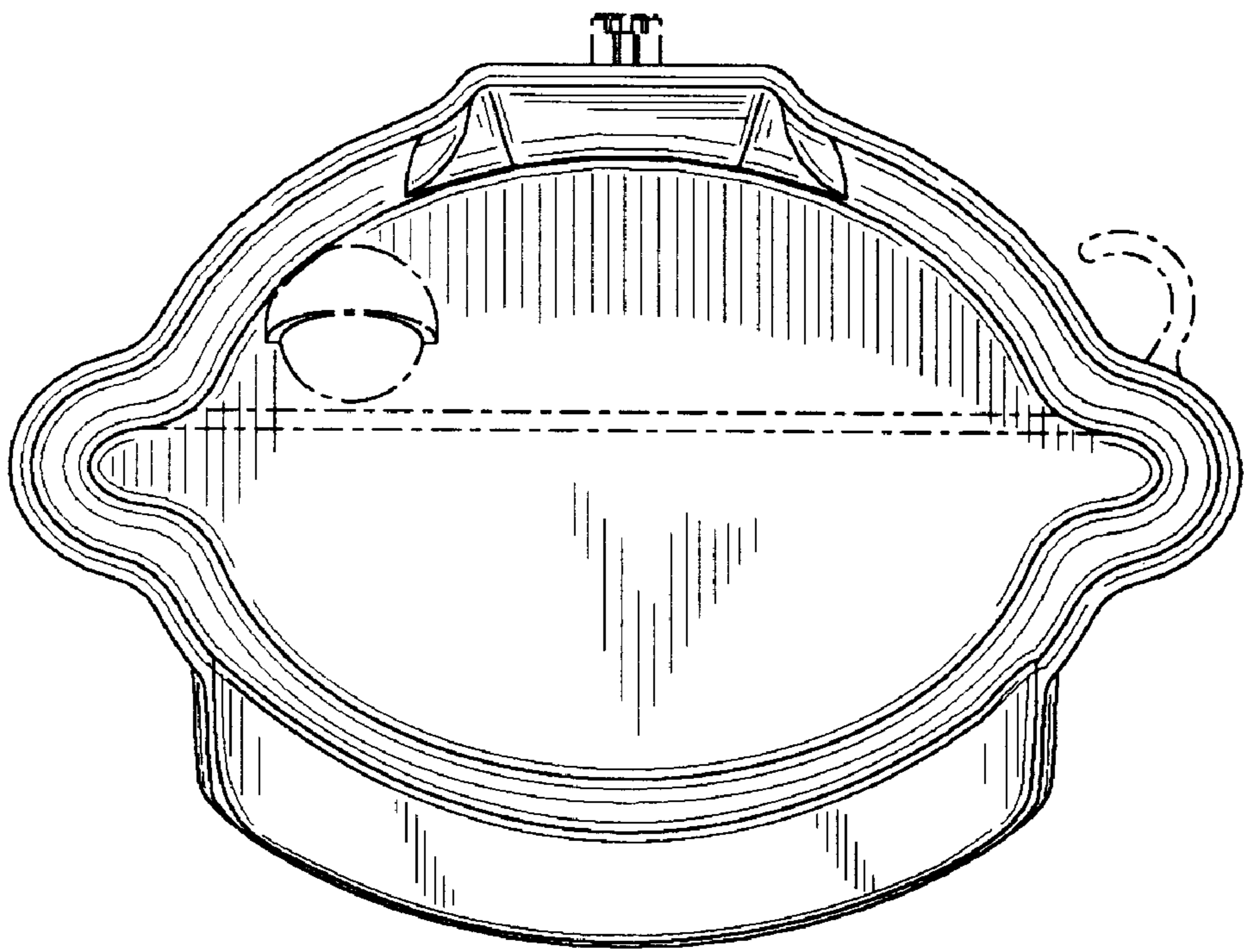


FIG. 3

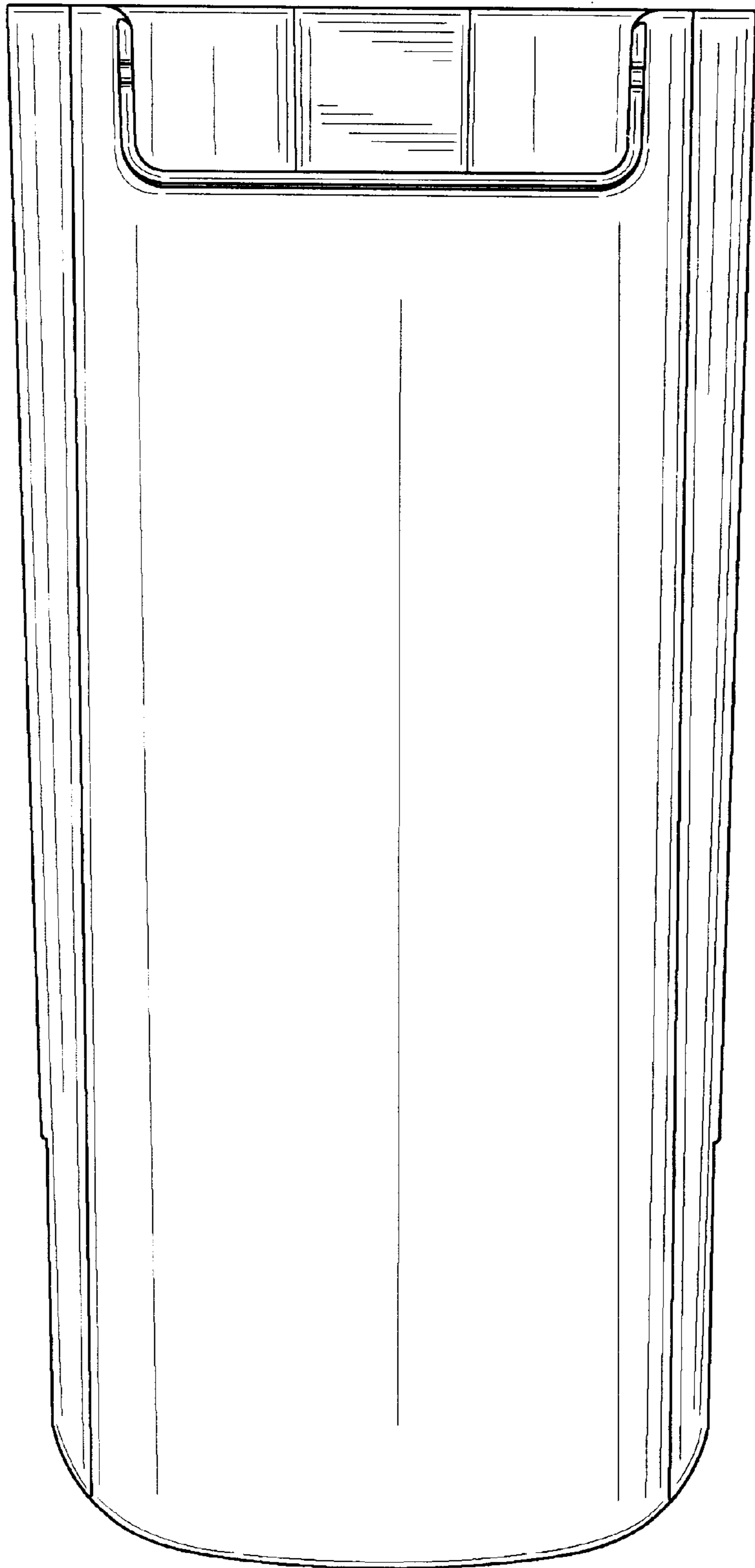


FIG. 4

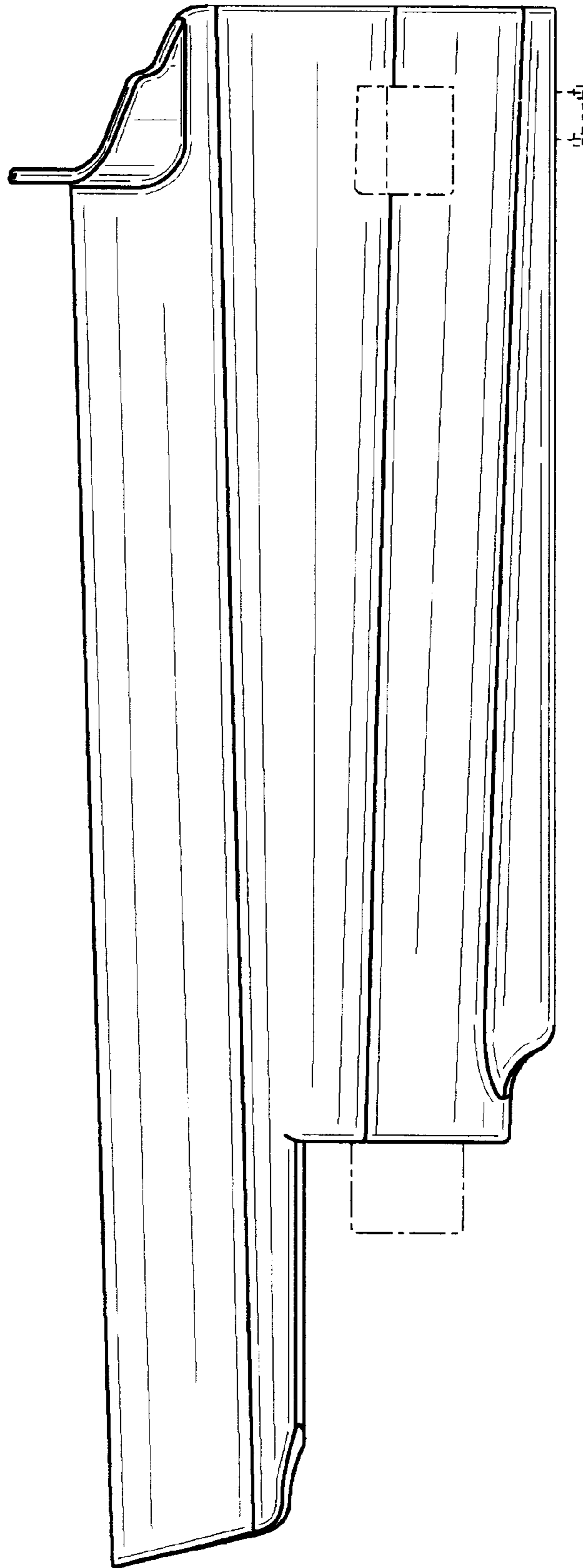


FIG. 5

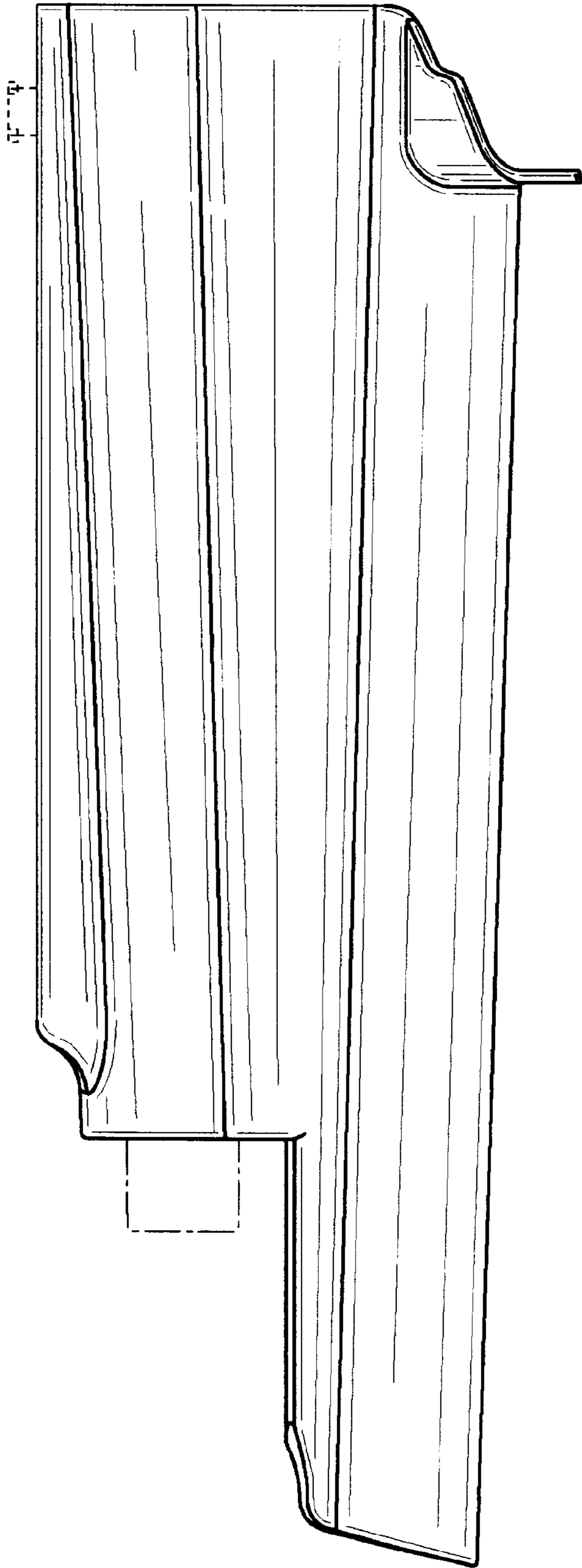


FIG. 6

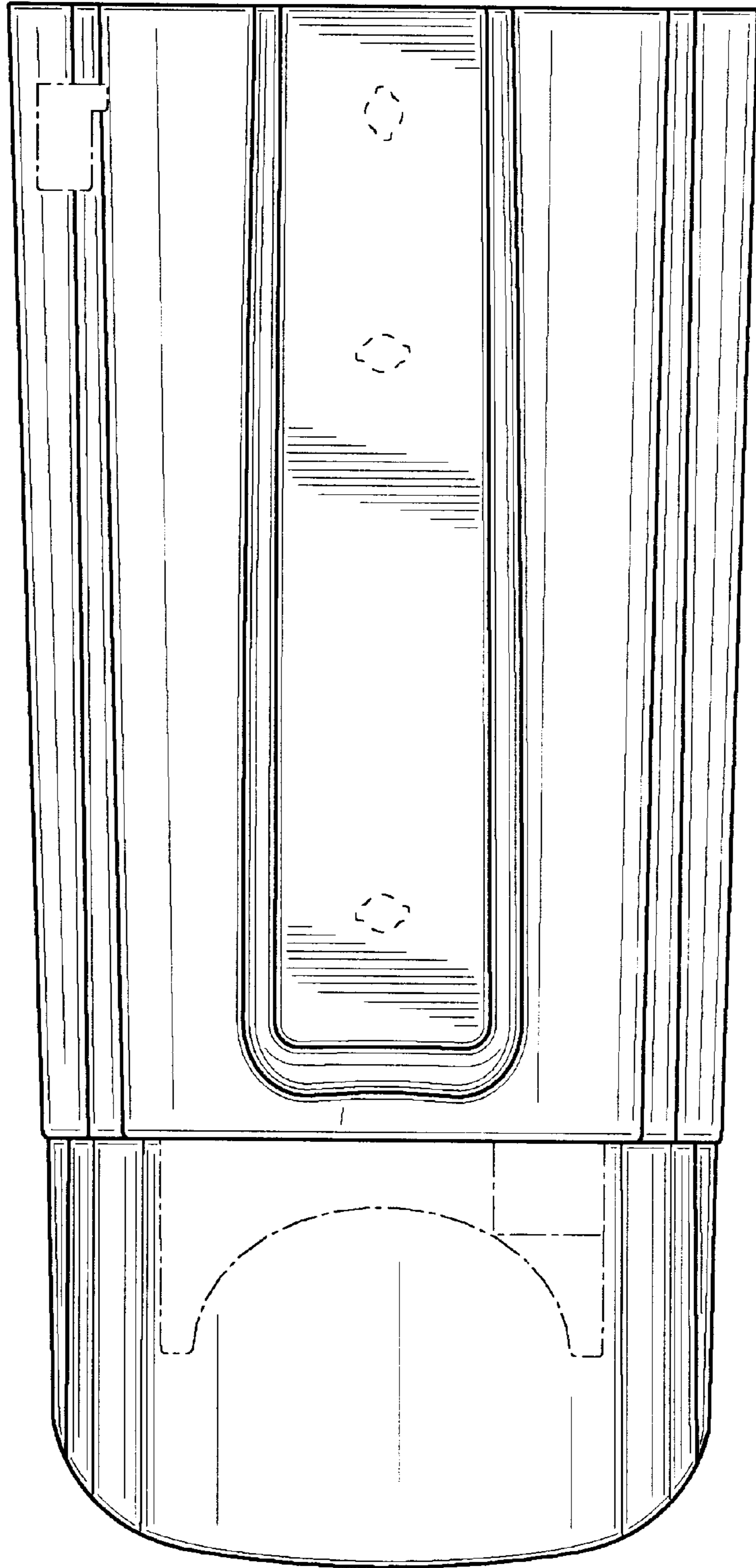


FIG. 7

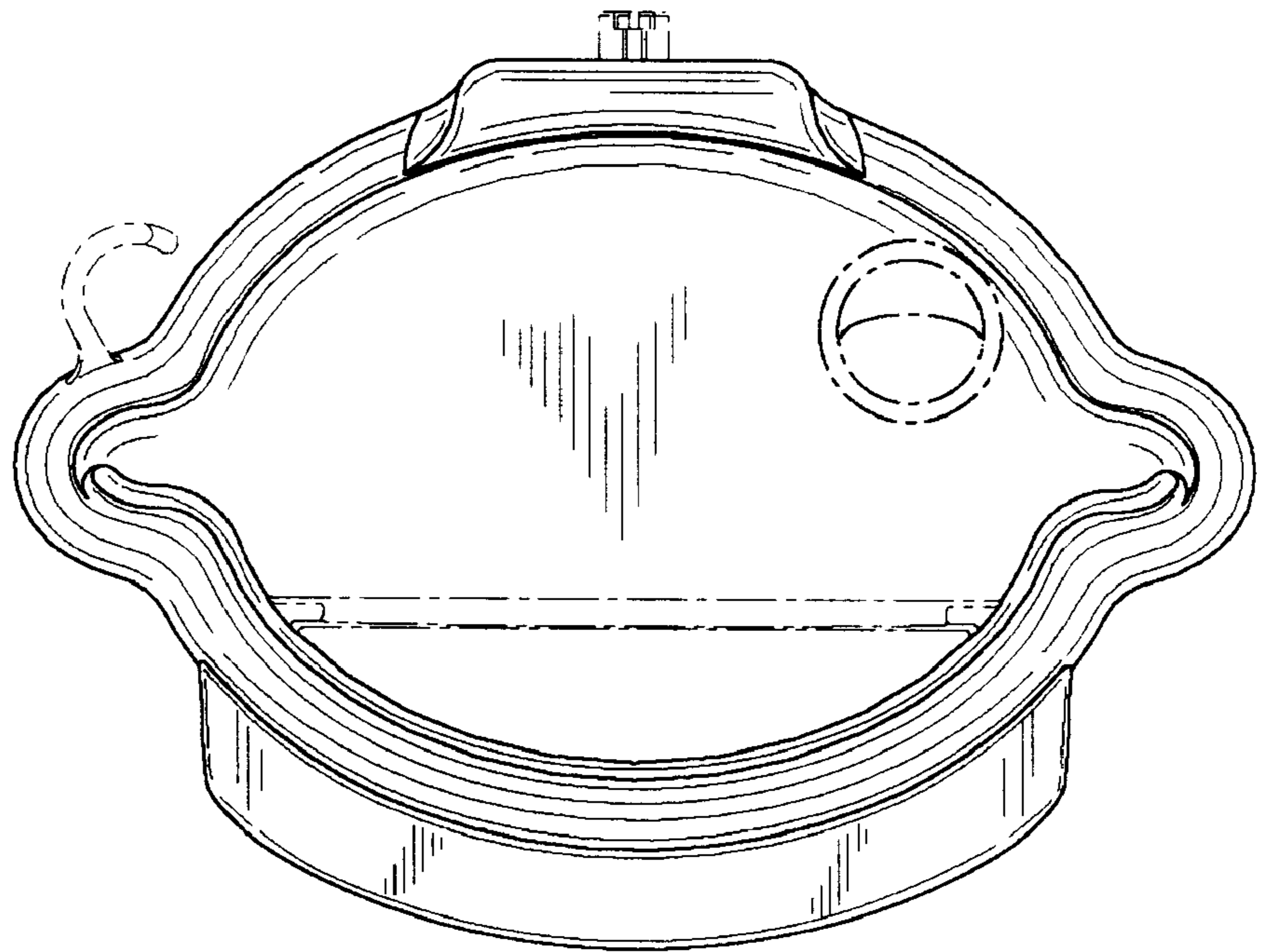


FIG. 8

