



US00D468389S

(12) **United States Design Patent**
Israel et al.

(10) **Patent No.:** **US D468,389 S**

(45) **Date of Patent:** **** Jan. 7, 2003**

(54) **YARD MOSQUITO TRAP**

(75) Inventors: **Gary Israel**, Andover, KS (US); **Doug Winner**, Newtown, CT (US); **John R. Laverack**, Southbury, CT (US); **Greg G. Weaver**, Seymour, CT (US); **Robert H. Bruno**, Avon, CT (US)

(73) Assignee: **The Coleman Company, Inc.**, Wichita, KS (US)

(**) Term: **14 Years**

(21) Appl. No.: **29/161,686**

(22) Filed: **May 31, 2002**

(51) **LOC (7) Cl.** **22-06**

(52) **U.S. Cl.** **D22/122**

(58) **Field of Search** D22/119-125;
43/107, 112, 113, 122, 124, 132.1, 133,
139; D26/37; D7/378

(56) **References Cited**

U.S. PATENT DOCUMENTS

D245,506 S * 8/1977 Kikoler D22/123

D302,578 S * 8/1989 Lee D22/123
5,020,270 A * 6/1991 Lo 43/112
5,515,643 A * 5/1996 Lin 43/112
5,595,018 A * 1/1997 Wilbanks 43/112
D450,529 S * 11/2001 Smith D7/378

* cited by examiner

Primary Examiner—Catherine R. Oliver

(57) **CLAIM**

The ornamental design for a yard mosquito trap, as shown and described.

DESCRIPTION

FIG. 1 is a top right front perspective view of the yard mosquito trap showing the new design;
FIG. 2 is a left side elevation view thereof;
FIG. 3 is a front elevation view thereof;
FIG. 4 is a right side elevation view thereof;
FIG. 5 is a rear elevation view thereof;
FIG. 6 is a top plan view thereof; and,
FIG. 7 is a bottom plan view thereof.

1 Claim, 3 Drawing Sheets

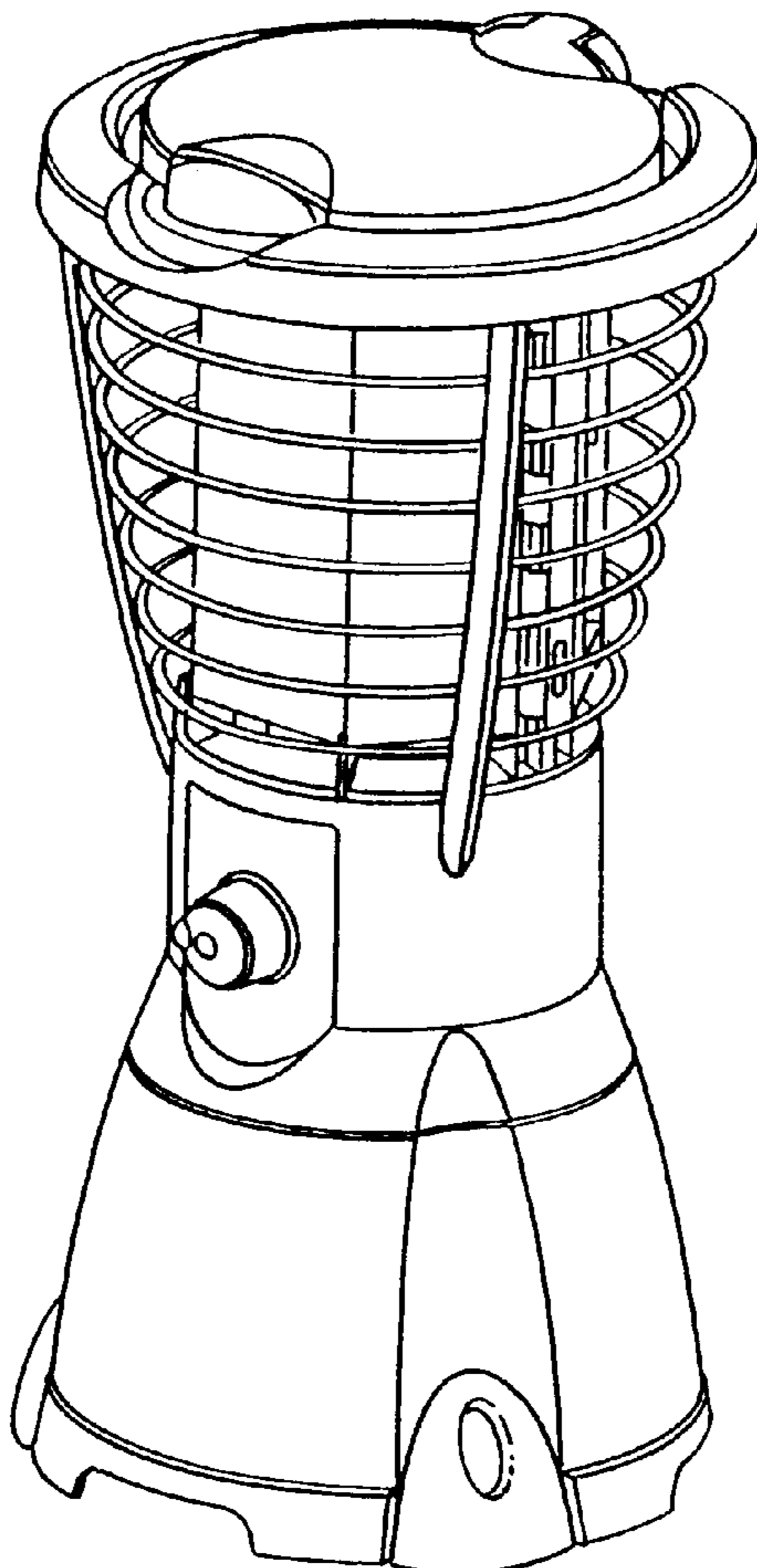


FIG 1

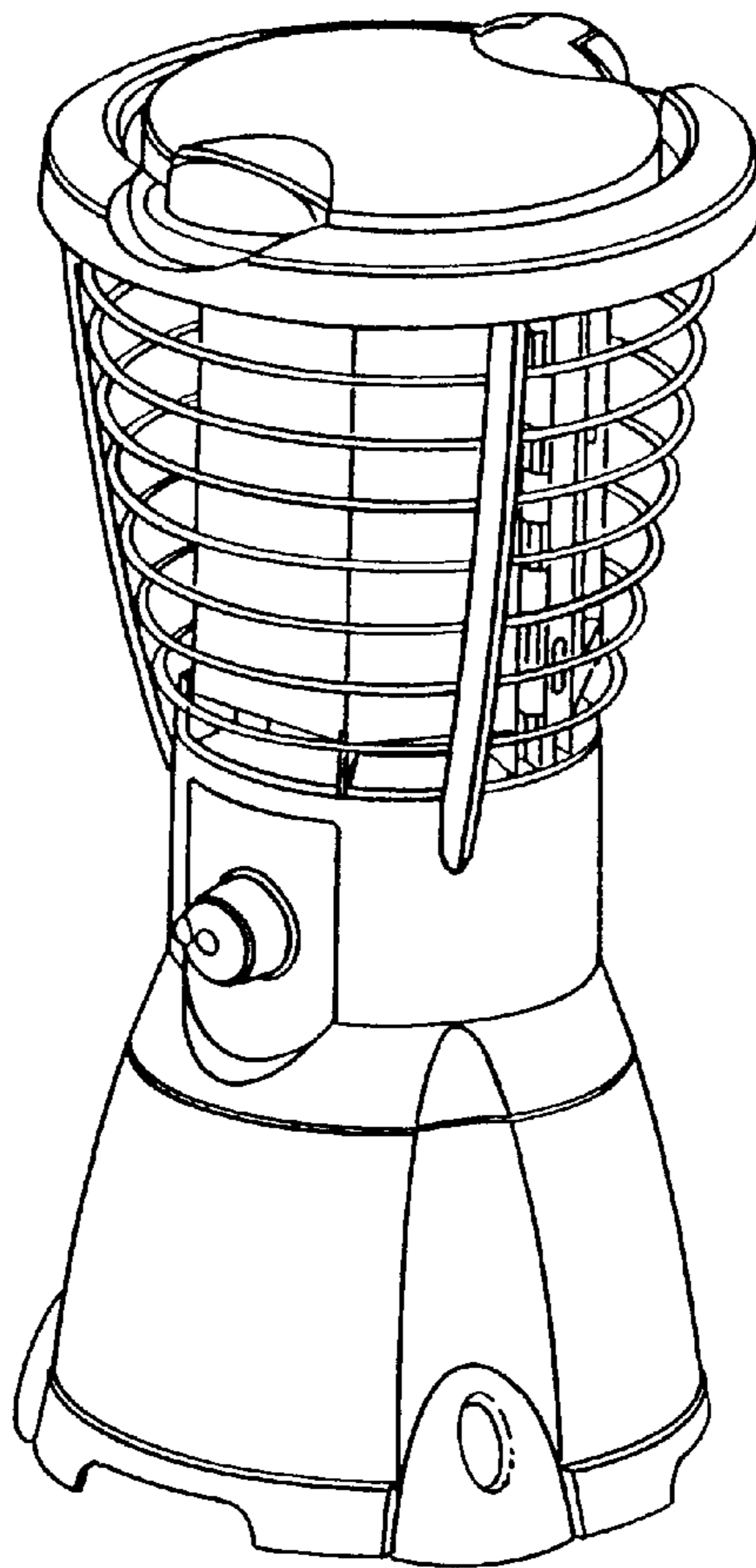
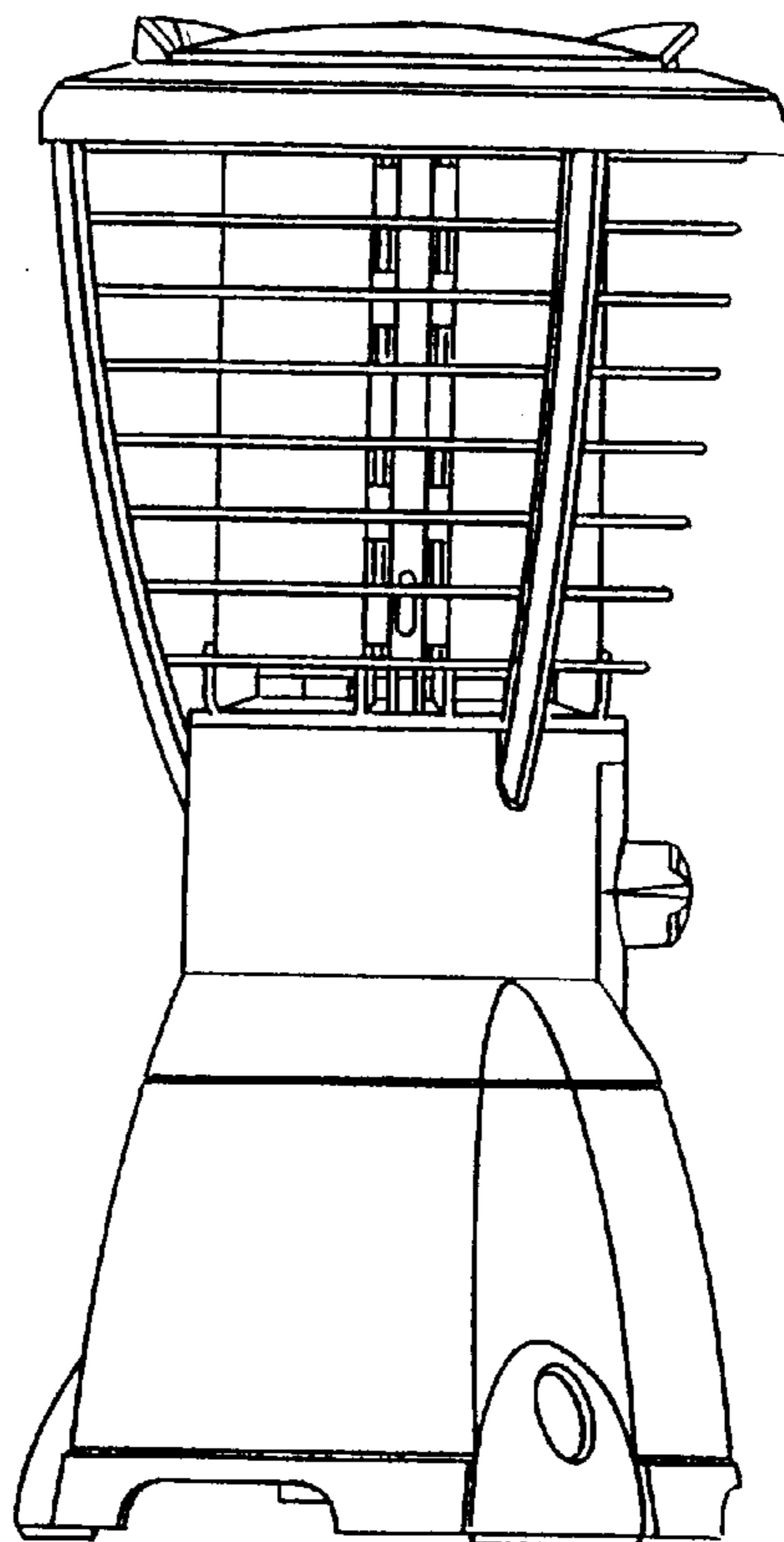


FIG 2



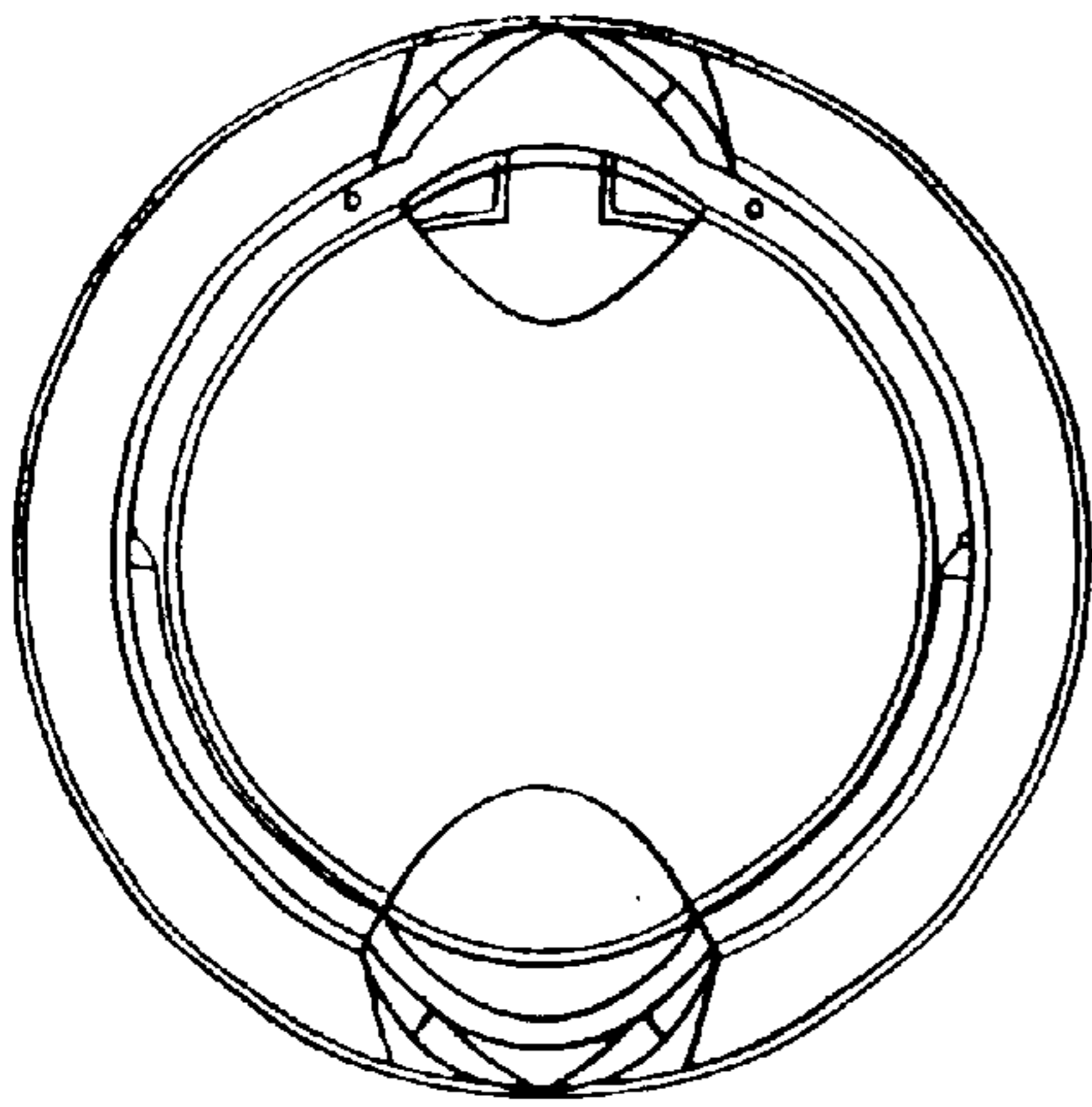


FIG 6

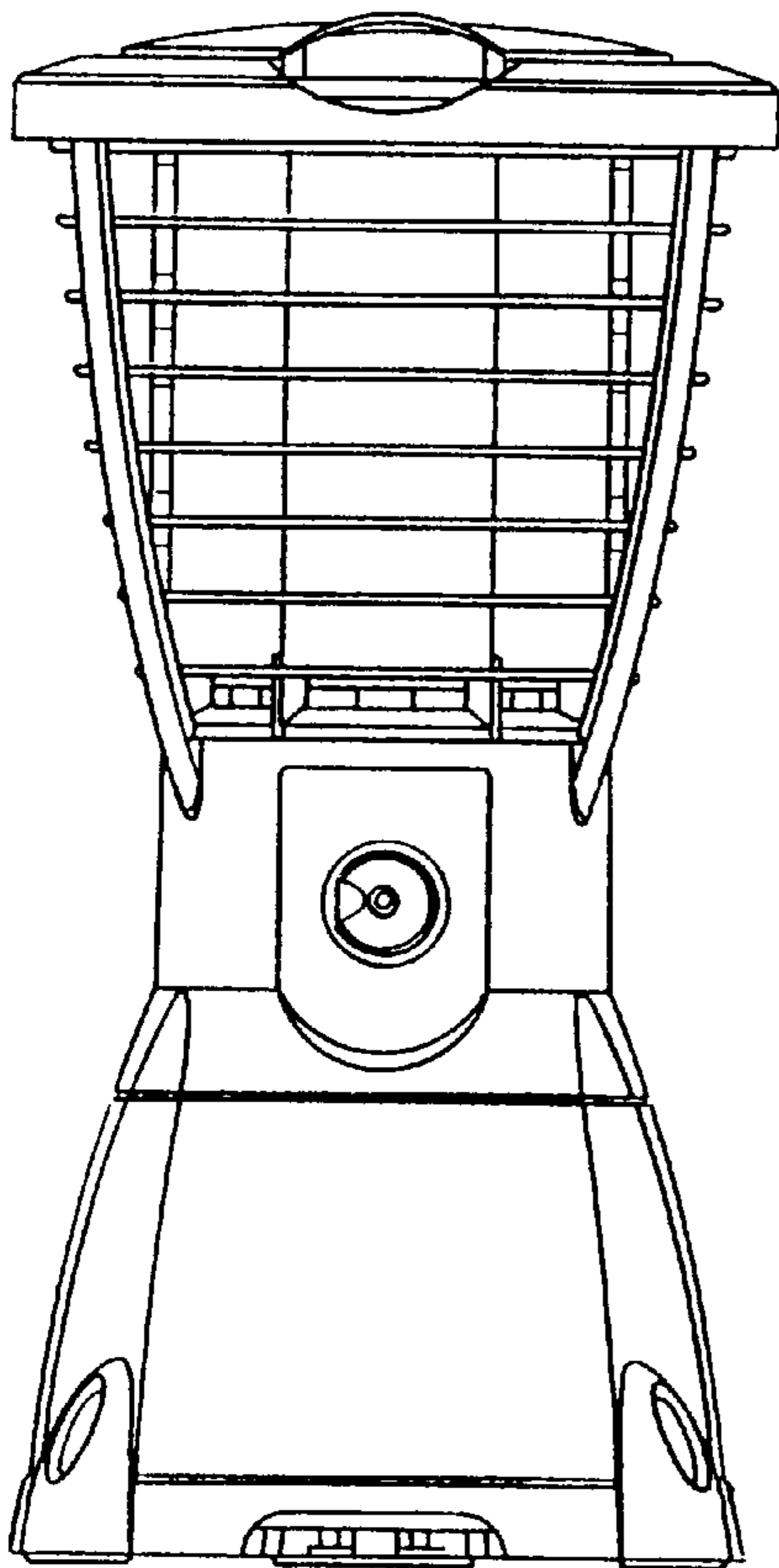


FIG 3

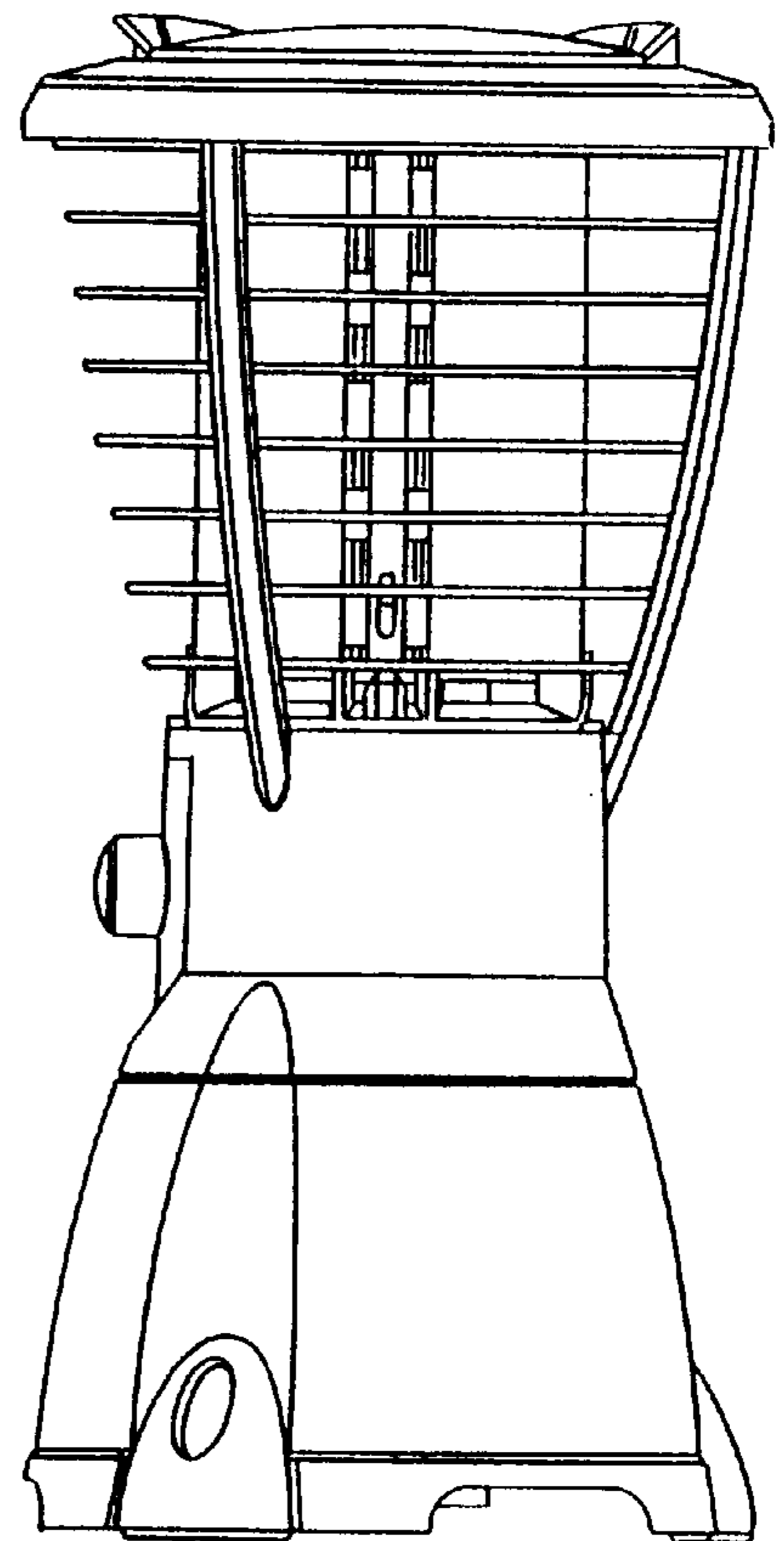


FIG 4

FIG 5

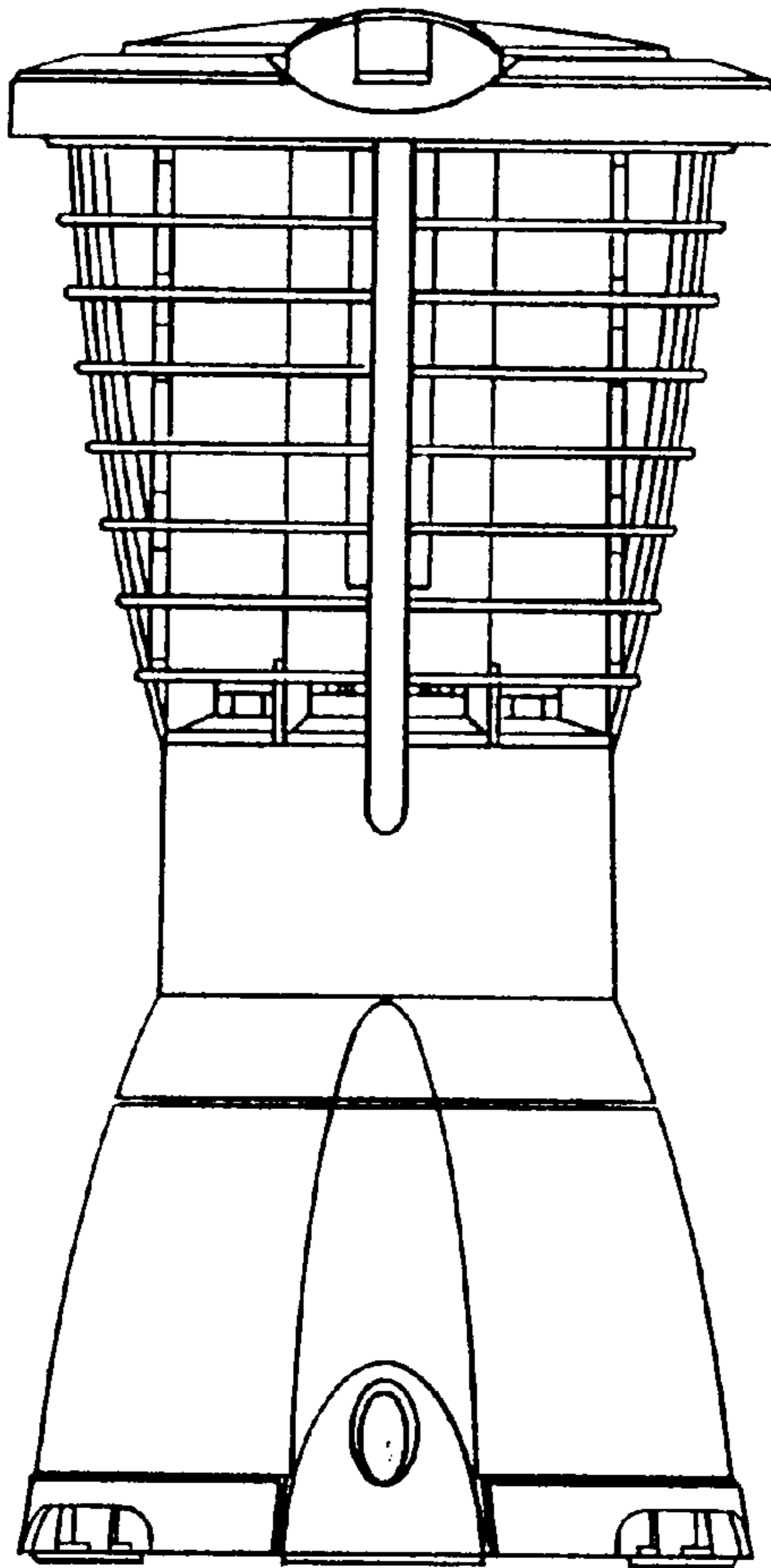


FIG 7

