



US00D468387S

(12) **United States Design Patent**
Ezell

(10) **Patent No.:** **US D468,387 S**

(45) **Date of Patent:** **** Jan. 7, 2003**

(54) **PLAYSET**

(76) **Inventor:** **James Douglas Ezell**, 1641 Hwy. 96,
Franklinton, NC (US) 27525

(**) **Term:** **14 Years**

(21) **Appl. No.:** **29/141,419**

(22) **Filed:** **May 7, 2001**

(51) **LOC (7) Cl.** **21-03**

(52) **U.S. Cl.** **D21/826**

(58) **Field of Search** D21/811, 814,
D21/826, 818-827; 482/35, 36

(56) **References Cited**

U.S. PATENT DOCUMENTS

D224,247 S	*	7/1972	Jamison	D21/818
D246,005 S	*	10/1977	Callecod	D21/826
D281,992 S	*	12/1985	Saxman et al.	D21/826
D303,280 S	*	9/1989	Mercer	D21/826

D347,458 S	*	5/1994	Cunard et al.	D21/818
D440,623 S	*	4/2001	Gardner et al.	D21/827
D444,521 S	*	7/2001	Mihoces	D21/727

* cited by examiner

Primary Examiner—Mitchell Siegel

(74) *Attorney, Agent, or Firm*—Mills Law Firm PLLC

(57) **CLAIM**

The ornamental design for a playset, as shown.

DESCRIPTION

FIG. 1 is a front left perspective view of the playset showing my new design;

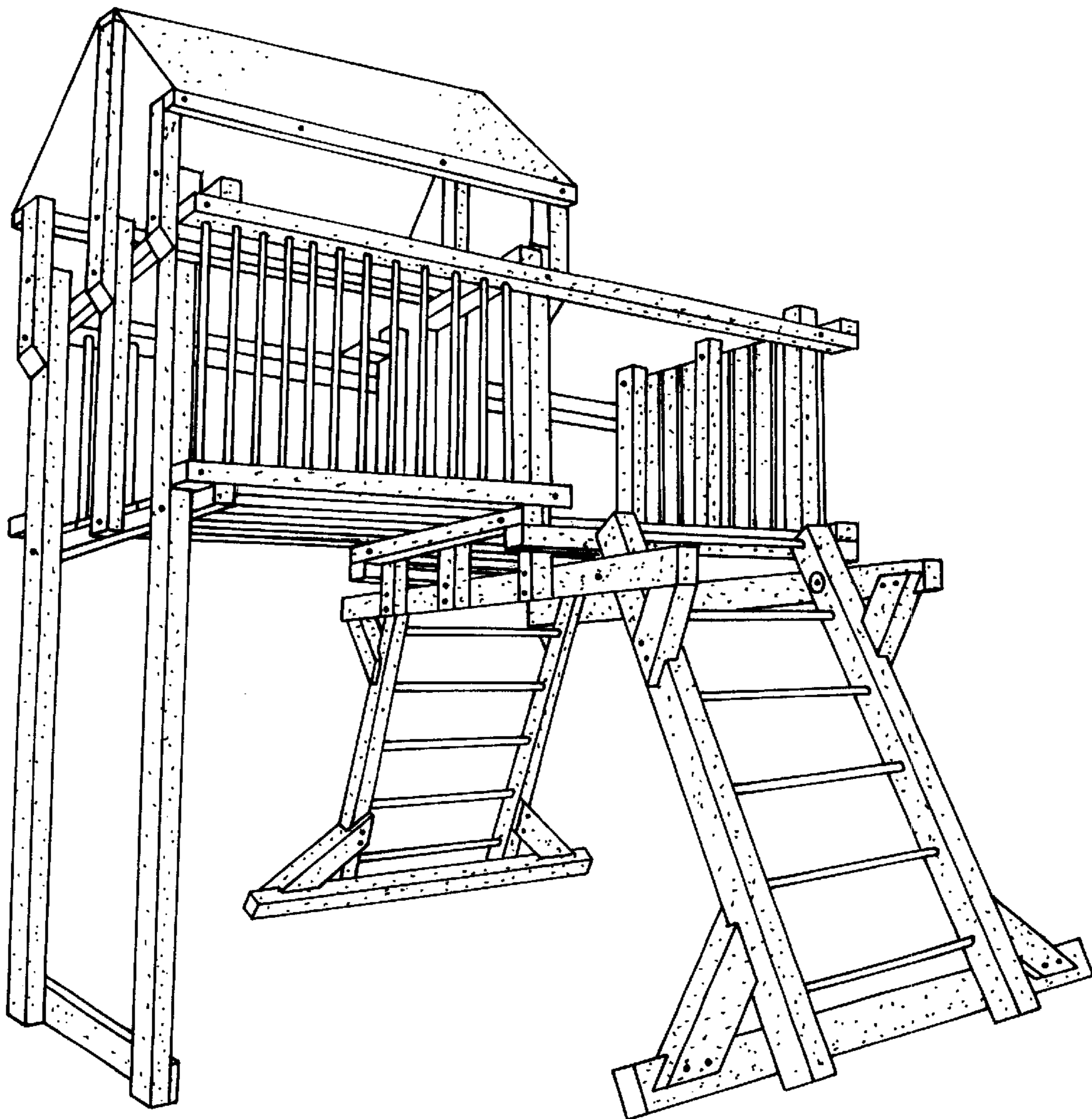
FIG. 2 is a rear left side elevational view thereof;

FIG. 3 is a front right side elevational view thereof;

FIG. 4 is a rear right side elevational view thereof; and,

FIG. 5 is a top plan view thereof.

1 Claim, 5 Drawing Sheets



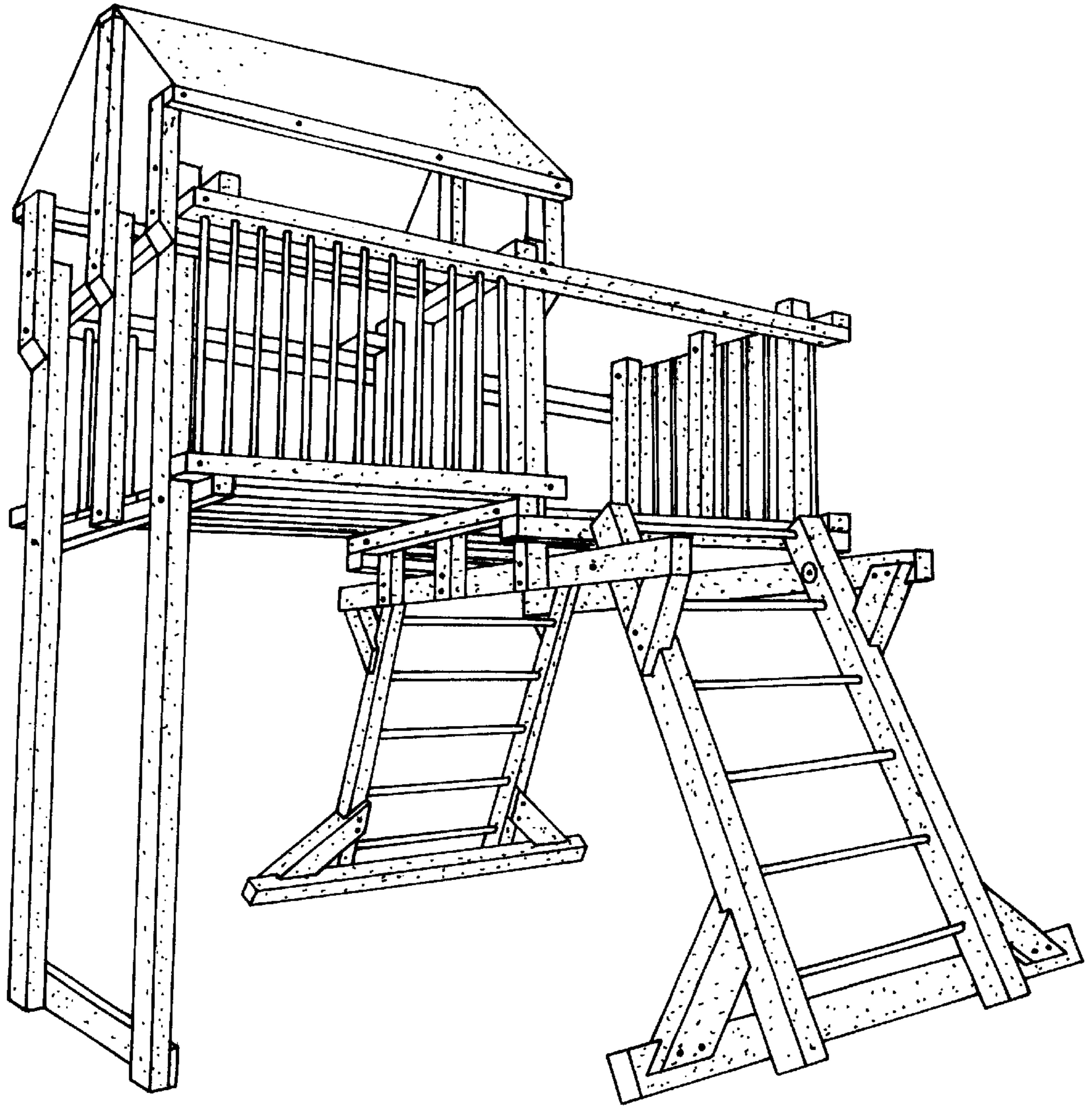


FIG. 1

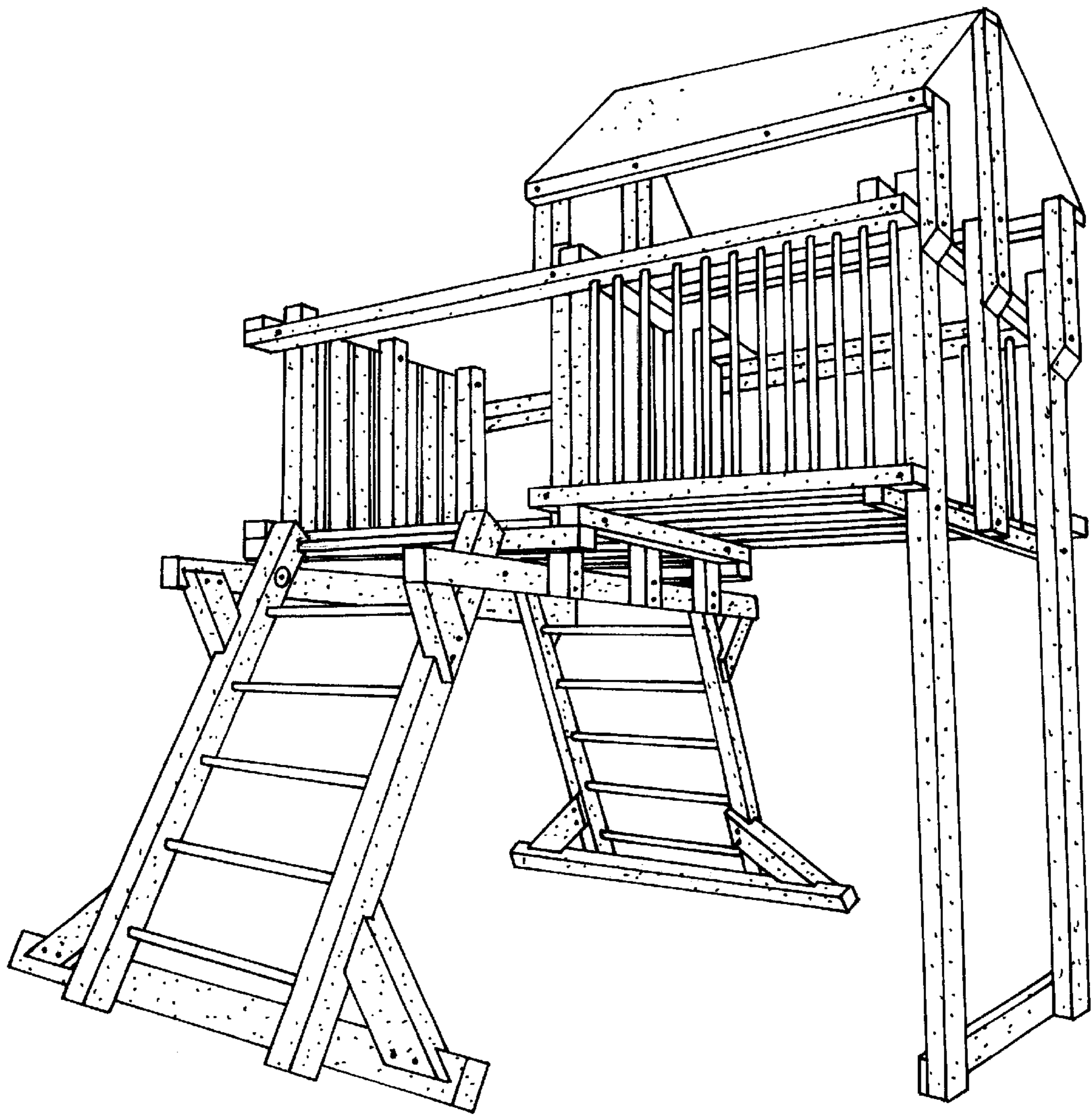


FIG. 2

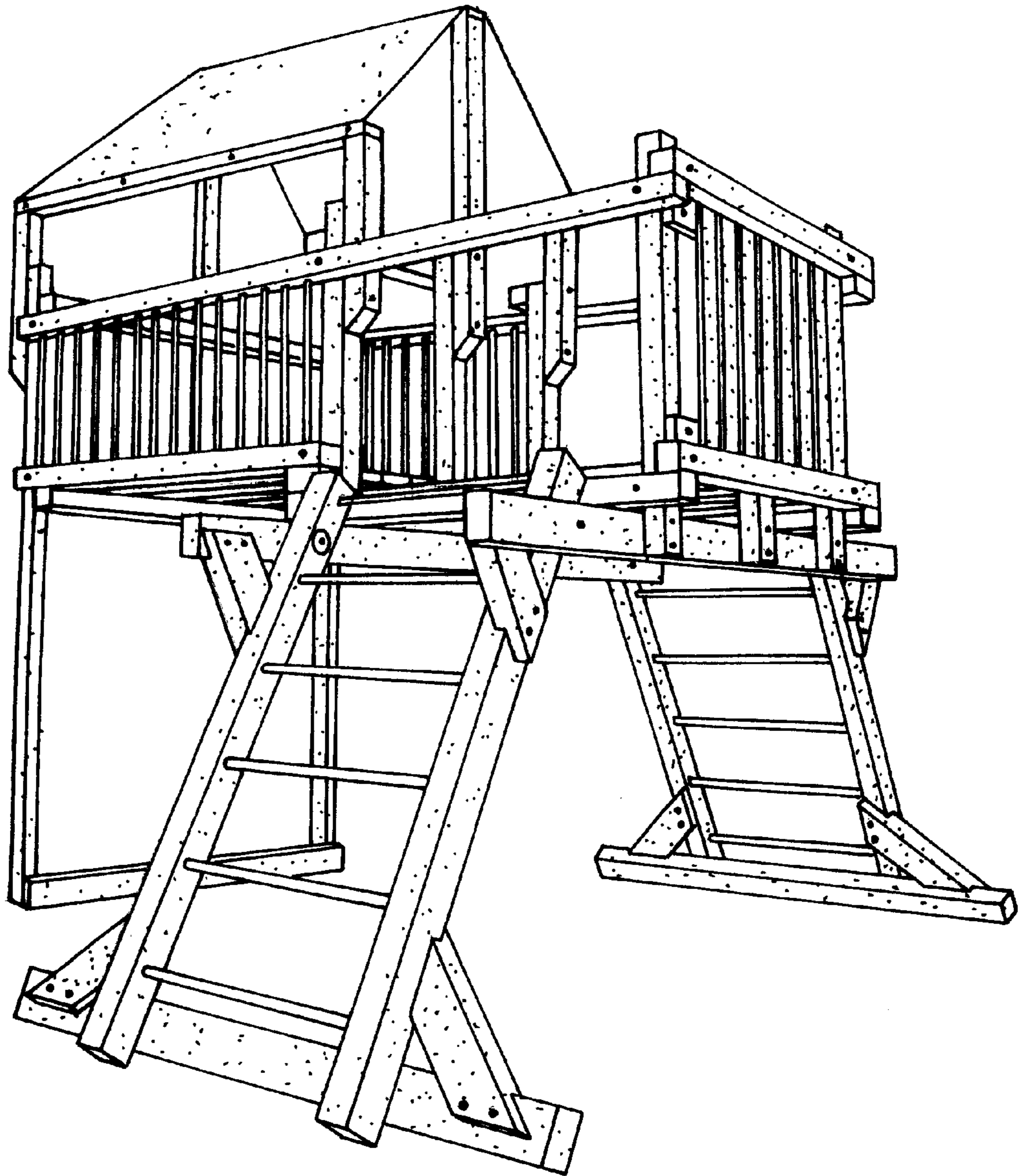


FIG. 3

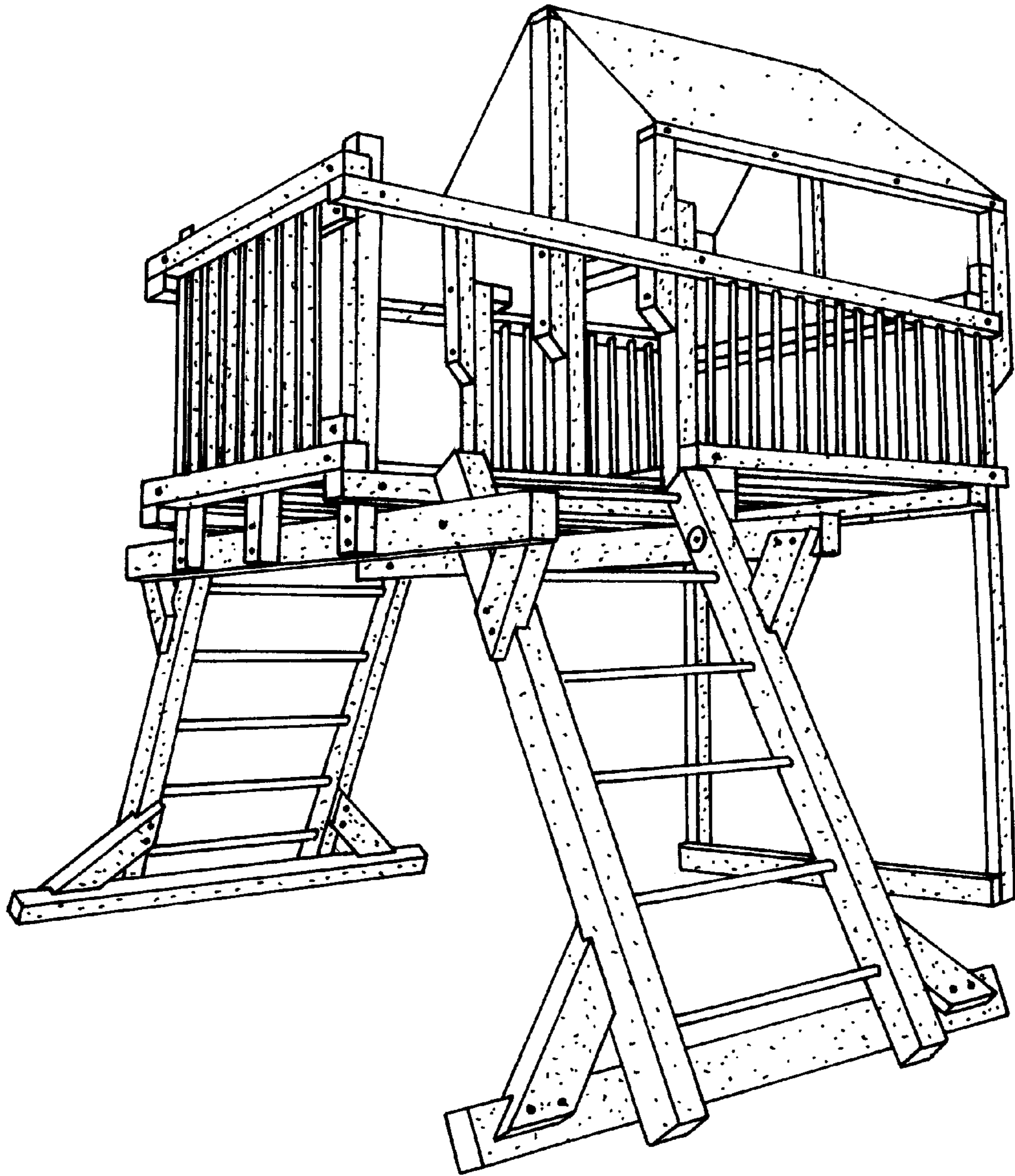


FIG. 4

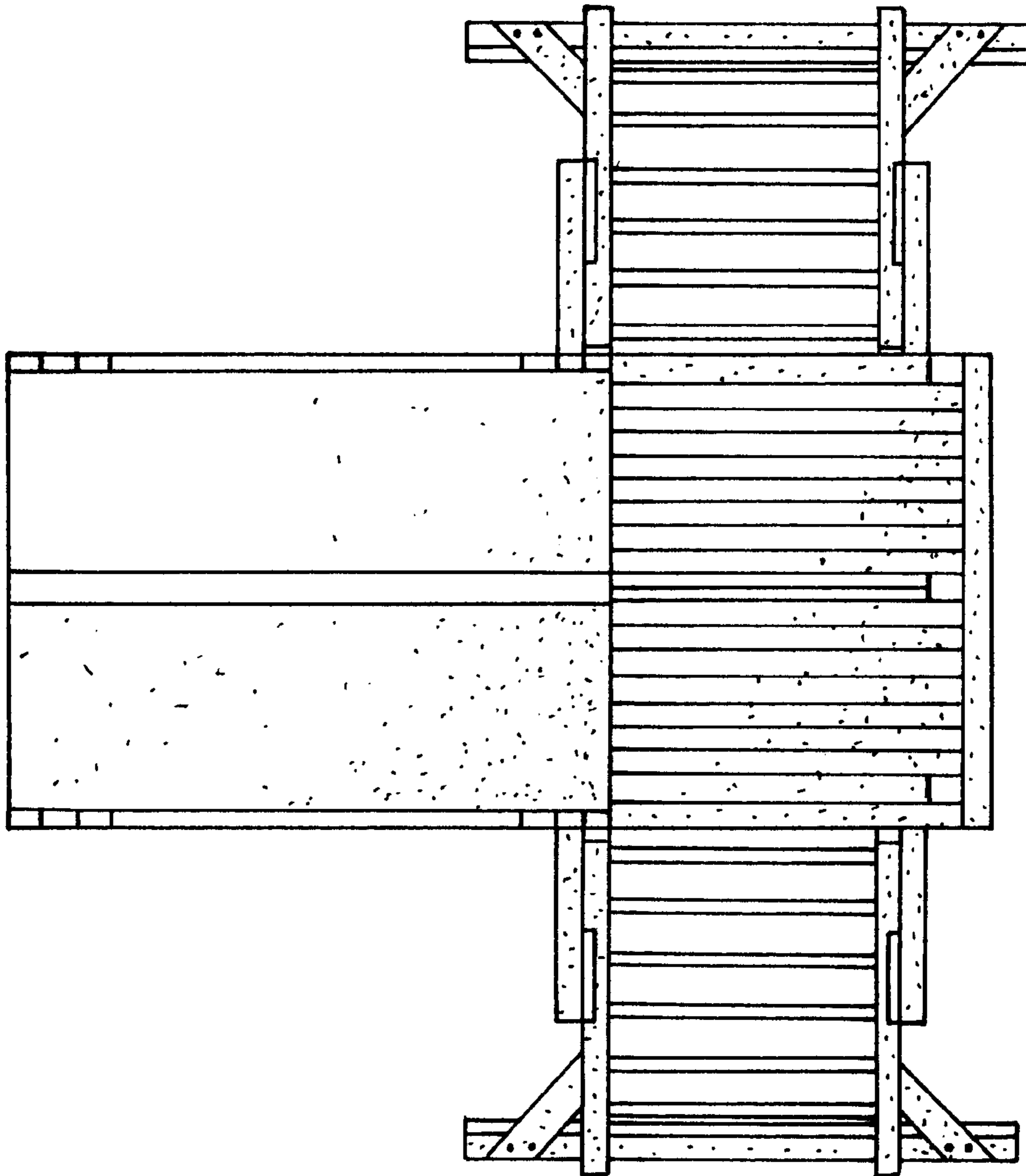


FIG. 5