



US00D468386S

(12) **United States Design Patent**  
**Frank**

(10) **Patent No.:** **US D468,386 S**

(45) **Date of Patent:** **\*\* Jan. 7, 2003**

(54) **PLAYGROUND EQUIPMENT**

(75) Inventor: **John Frank**, Odense (DK)

(73) Assignee: **Kompan A/S**, Ringe (DK)

(\*\*) Term: **14 Years**

(21) Appl. No.: **29/139,518**

(22) Filed: **Mar. 30, 2001**

(30) **Foreign Application Priority Data**

Dec. 4, 2000 (DK) ..... MA 2000 01330

(51) **LOC (7) Cl.** ..... **21-03**

(52) **U.S. Cl.** ..... **D21/818; D21/826**

(58) **Field of Search** ..... D21/811, 814,  
D21/826, 827, 818, 820-823; 482/35, 36

(56) **References Cited**

**U.S. PATENT DOCUMENTS**

- D189,581 S \* 1/1961 Williams et al. .... D21/818
- 3,485,494 A \* 12/1969 Lieberman ..... 482/35
- D340,273 S \* 10/1993 Ezell ..... D21/818
- D344,773 S \* 3/1994 Aker et al. .... D21/818

- D361,614 S \* 8/1995 Aker et al. .... D21/821
- D367,911 S \* 3/1996 van Huystee ..... D21/818
- D377,075 S \* 12/1996 Temple et al. .... D21/818

\* cited by examiner

*Primary Examiner*—Mitchell Siegel

(74) *Attorney, Agent, or Firm*—William J. Sapone;  
Coleman Sudol Sapone, P.C.

(57) **CLAIM**

The ornamental design for playground equipment, as shown and described.

**DESCRIPTION**

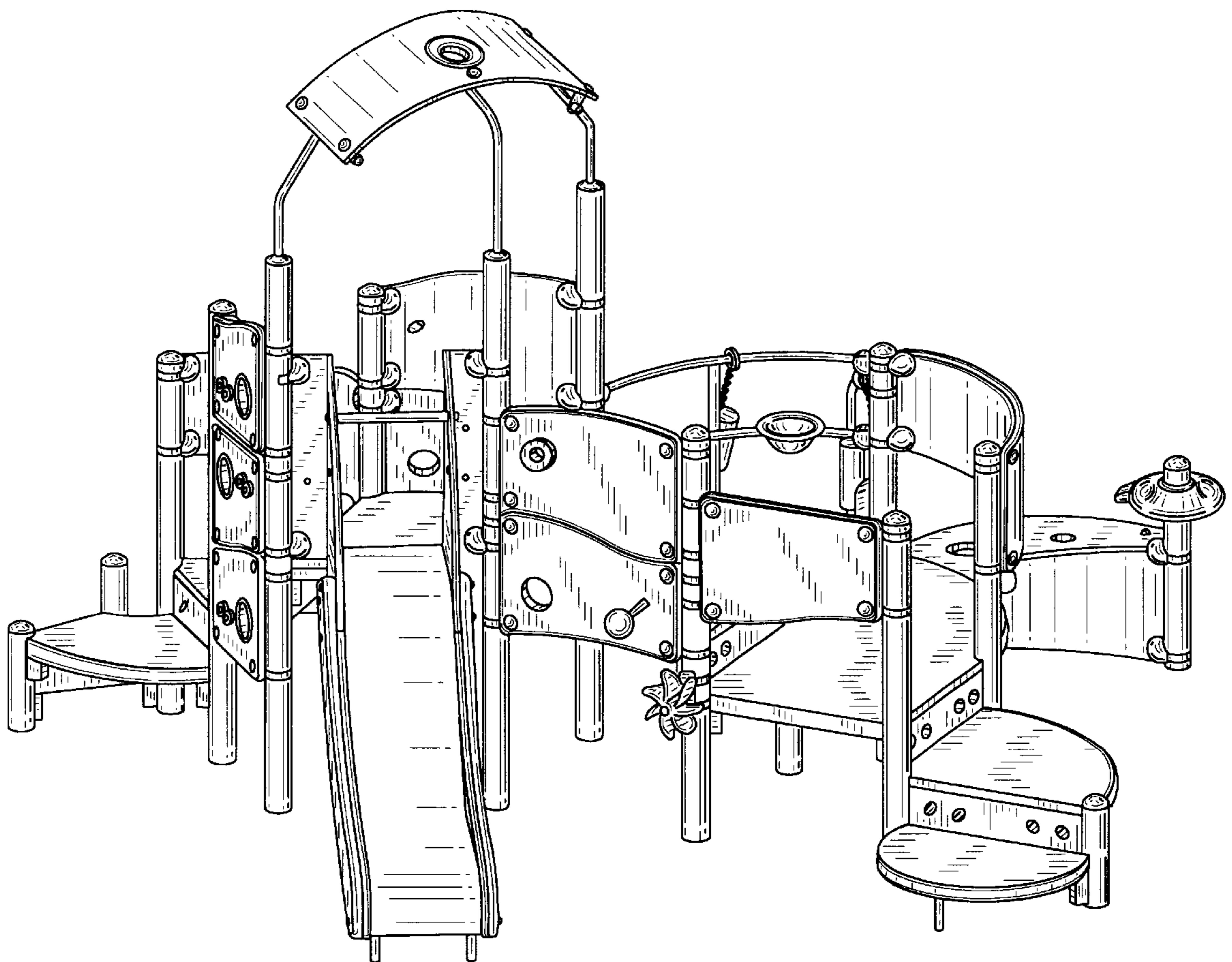
FIG. 1 is a front perspective view of the playground equipment assembled from playground modules and elements showing my new design;

FIG. 2 is a left side perspective view of the playground equipment as shown in FIG. 1;

FIG. 3 is a rear perspective view of the playground equipment as shown in FIG. 1; and,

FIG. 4 is a right side perspective view of the playground equipment as shown in FIG. 1.

**1 Claim, 4 Drawing Sheets**



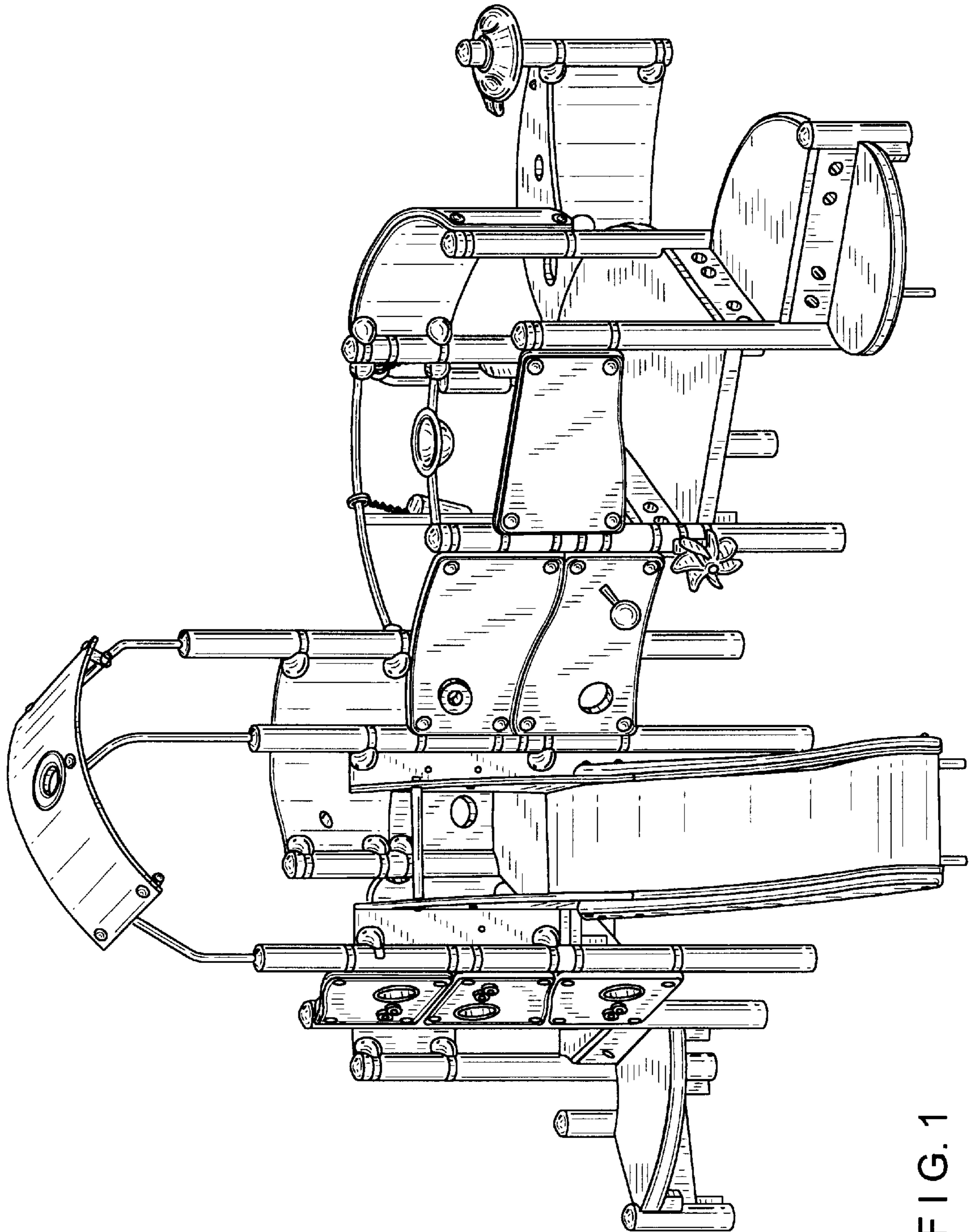


FIG. 1

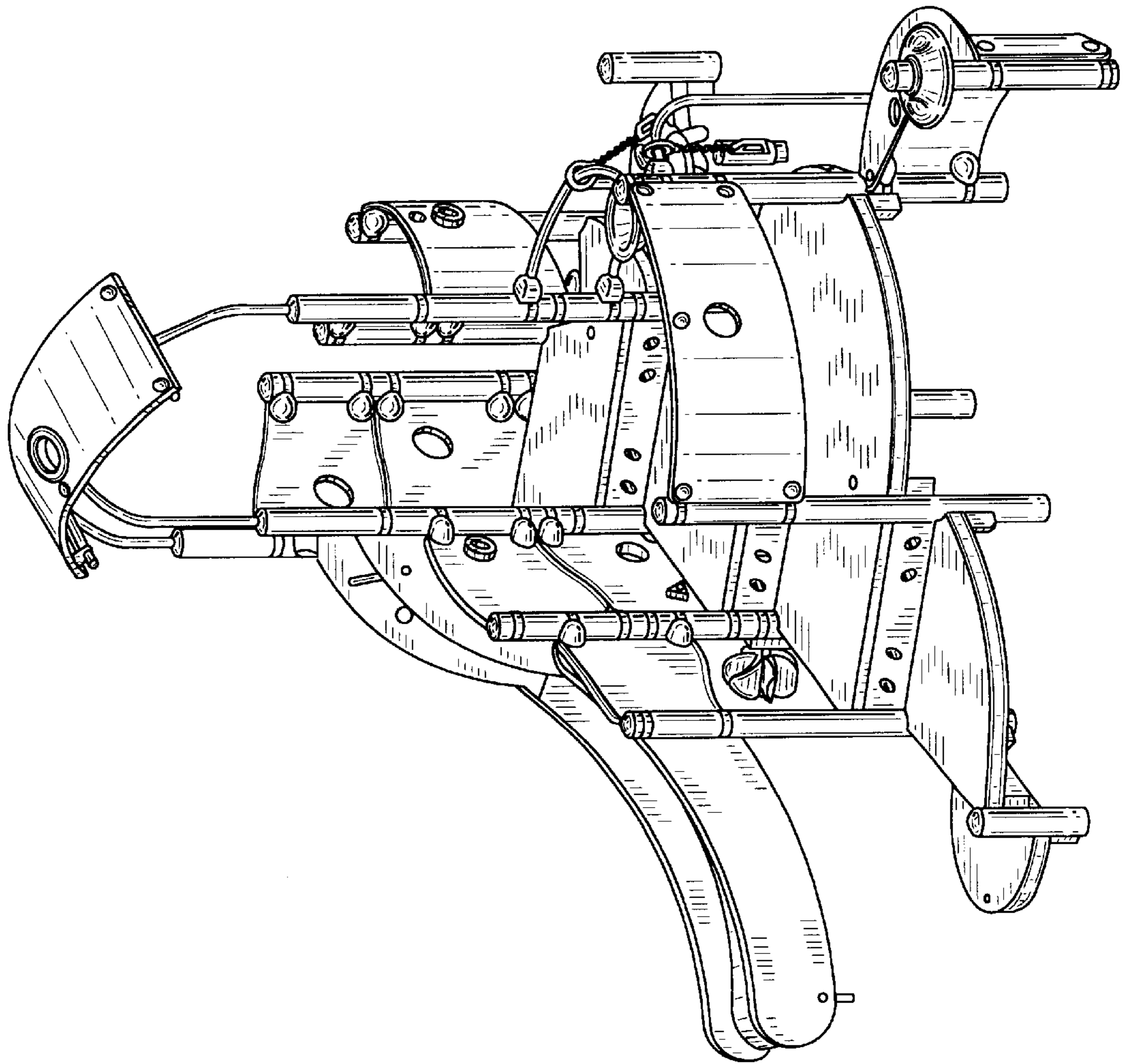


FIG. 2

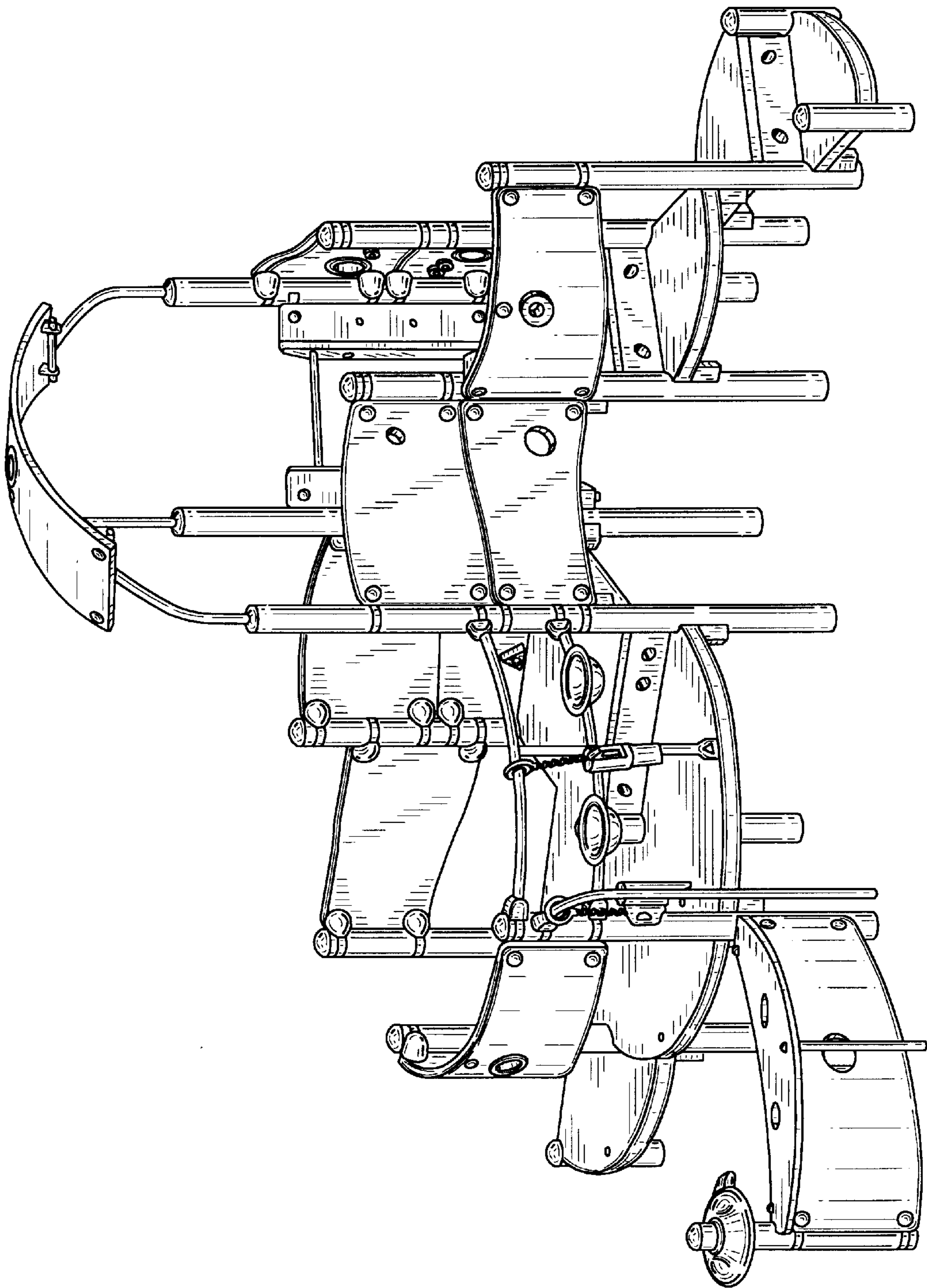


FIG. 3

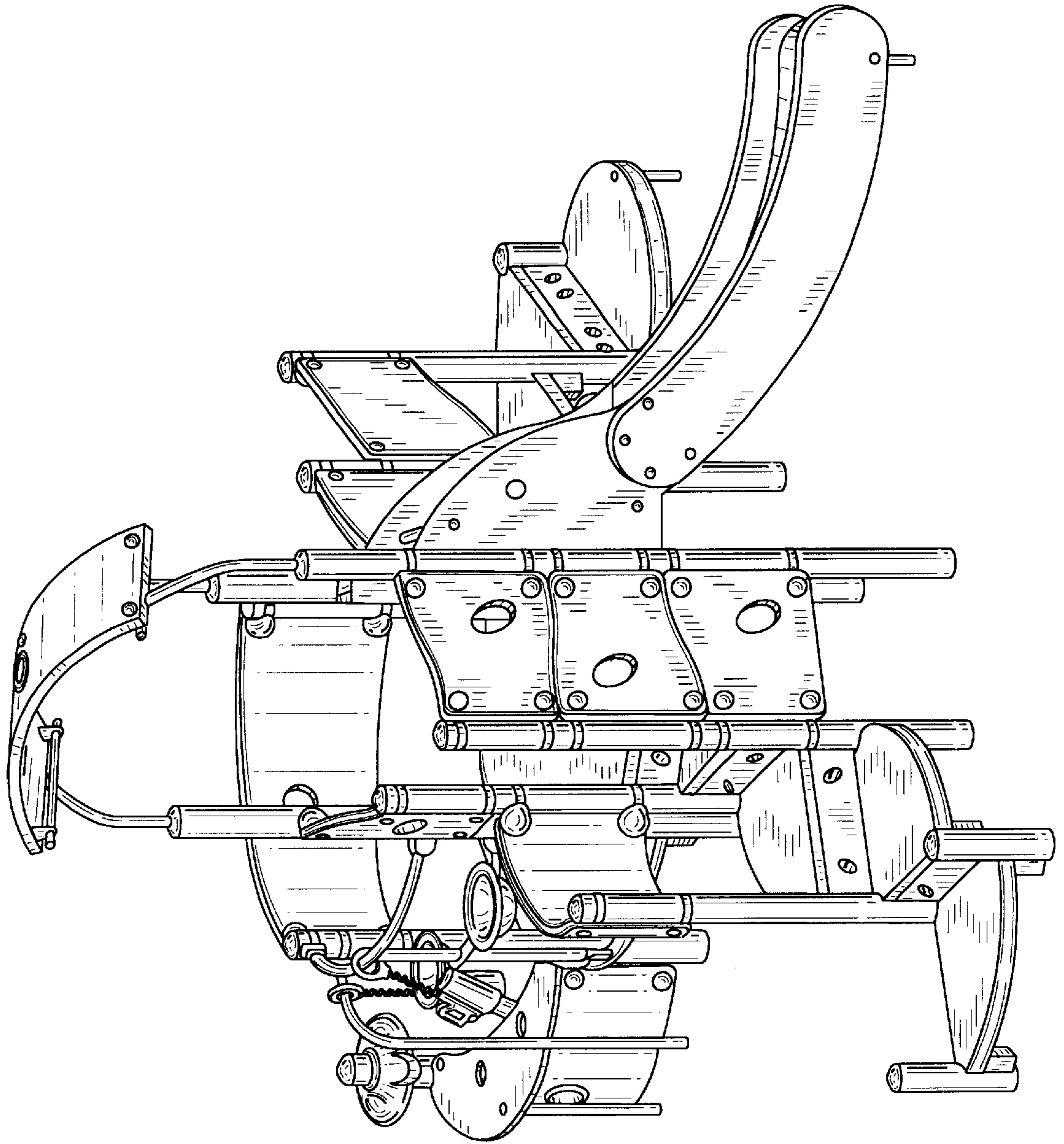


FIG. 4