



US00D468382S

(12) **United States Design Patent**
Wahl et al.

(10) **Patent No.:** **US D468,382 S**

(45) **Date of Patent:** **** Jan. 7, 2003**

(54) **GOLF CLUB IRON HEAD**

(75) Inventors: **Bret Wahl**, Carlsbad, CA (US); **John B. Hoefflich**, Rancho Santa Fe, CA (US)

(73) Assignee: **Taylor Made Golf Company, Inc.**, Carlsbad, CA (US)

(**) Term: **14 Years**

(21) Appl. No.: **29/151,244**

(22) Filed: **Oct. 22, 2001**

(51) **LOC (7) Cl.** **21-02**

(52) **U.S. Cl.** **D21/747**

(58) **Field of Search** D21/747-751;
473/324, 327-331, 350

(56) **References Cited**

U.S. PATENT DOCUMENTS

D164,597 S	9/1951	Penna	
D346,840 S	*	5/1994	Fenton D21/751
D389,540 S		1/1998	Mendenhall D21/220
5,879,242 A		3/1999	Mendenhall 473/328
D449,866 S	*	10/2001	Miller D21/747
D457,211 S	*	5/2002	Bakke D21/747

FOREIGN PATENT DOCUMENTS

JP D. 1062791 3/2000

OTHER PUBLICATIONS

Mark Wilson of The Golfworks, The Golf Club Identification and Price Guide II, pp. 6-1, 9-21.

* cited by examiner

Primary Examiner—Mitchell Siegel

(74) *Attorney, Agent, or Firm*—Sheppard, Mullin, Richter & Hampton LLP; James R. Brueggemann

(57) **CLAIM**

We claim the ornamental design for a golf club iron head, as shown and described.

DESCRIPTION

FIG. 1 is a bottom rear perspective view of a golf club iron head embodying our new design.

FIG. 2 is a front elevational view thereof.

FIG. 3 is a rear elevational view thereof.

FIG. 4 is a top plan view thereof.

FIG. 5 is a bottom plan view thereof.

FIG. 6 is a left side elevational view thereof.

FIG. 7 is a right side elevational view thereof.

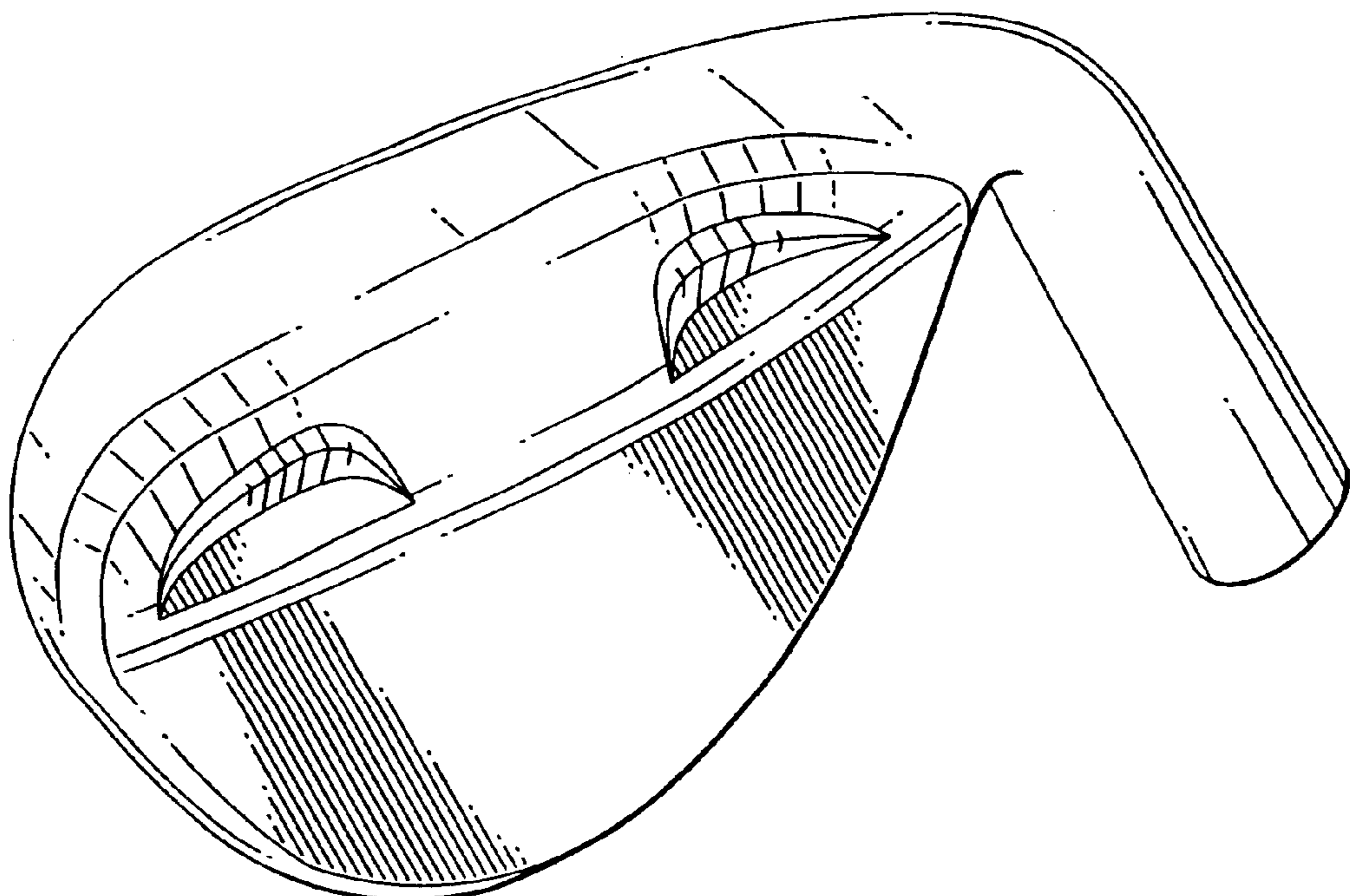
FIG. 8 is a sectional view thereof, taken substantially in the direction of the arrows 8—8 in FIG. 3.

FIG. 9 is a sectional view thereof, taken substantially in the direction of the arrows 9—9 in FIG. 3; and,

FIG. 10 is a sectional view thereof, taken substantially in the direction of the arrows 10—10.

The broken line showing of is for illustrative purposes only and forms no part of the claimed design.

1 Claim, 4 Drawing Sheets



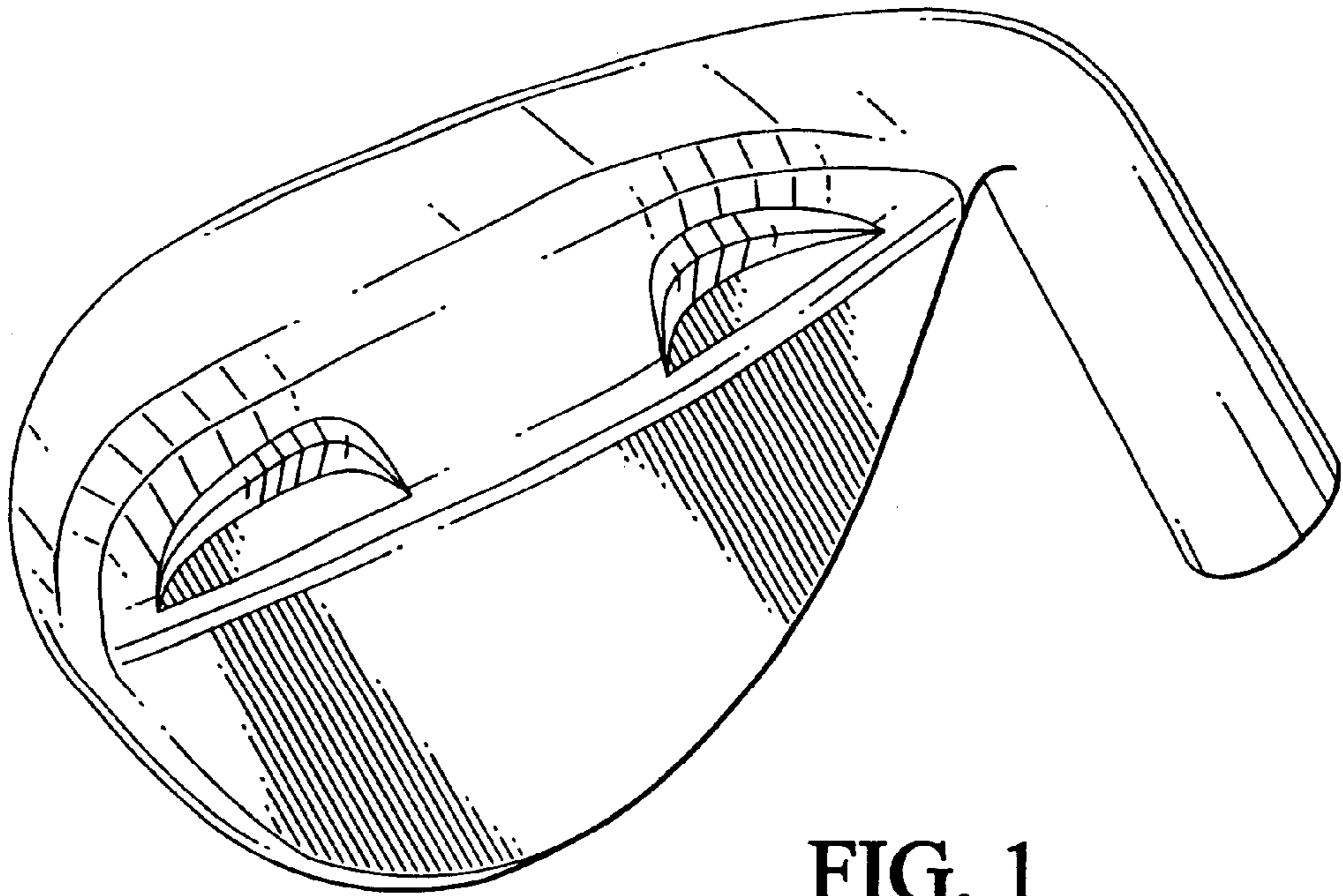


FIG. 1

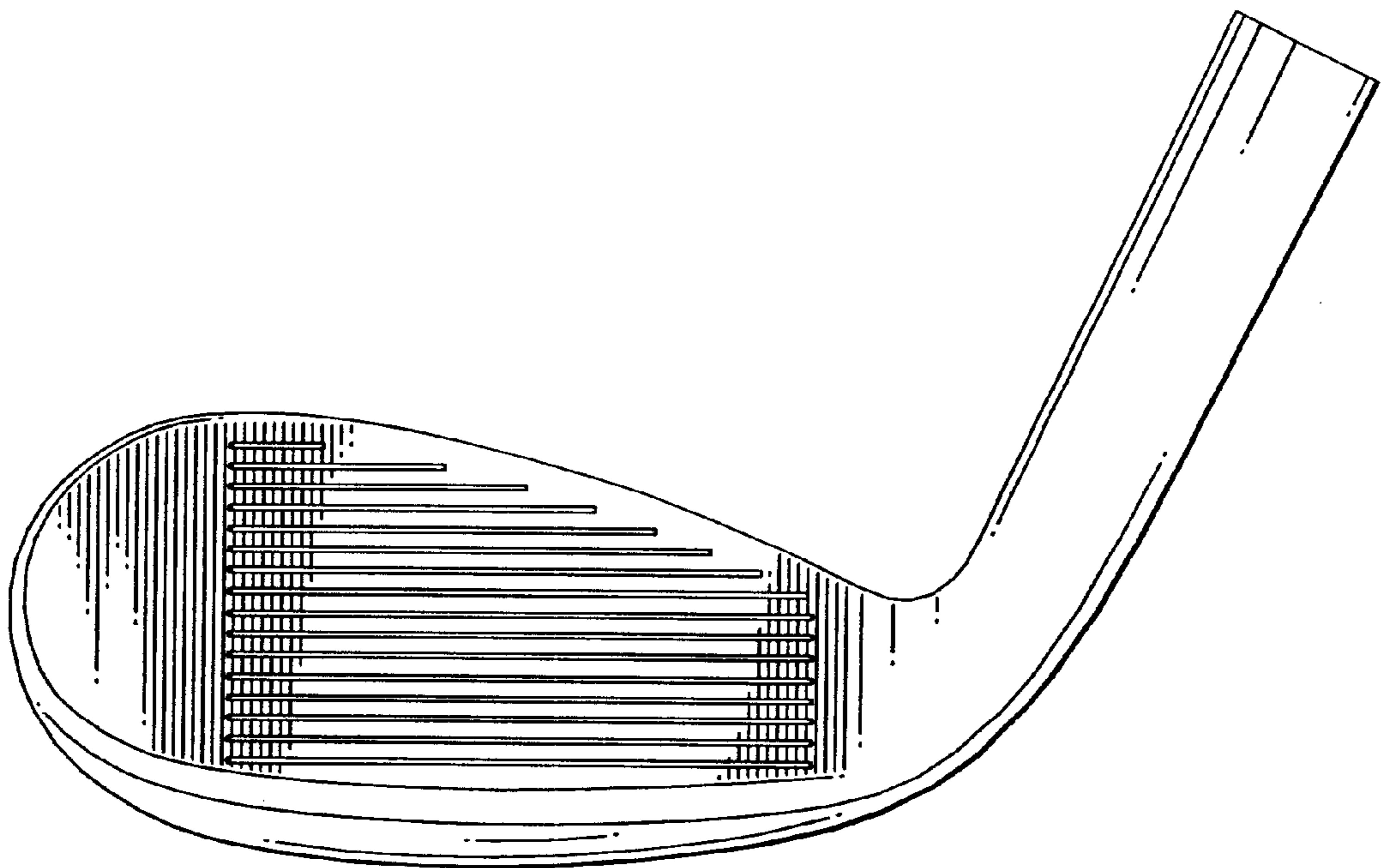


FIG. 2

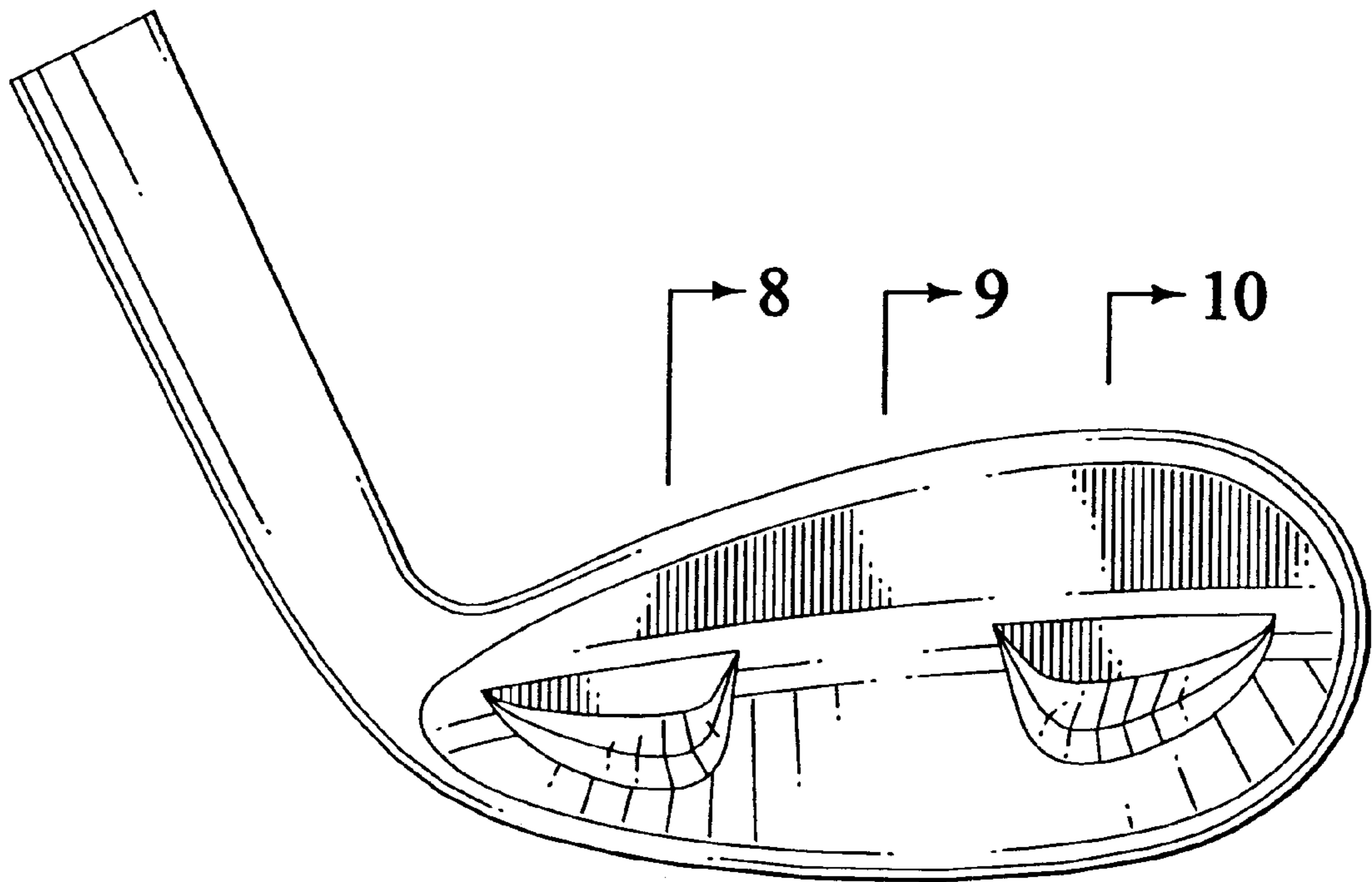


FIG. 3

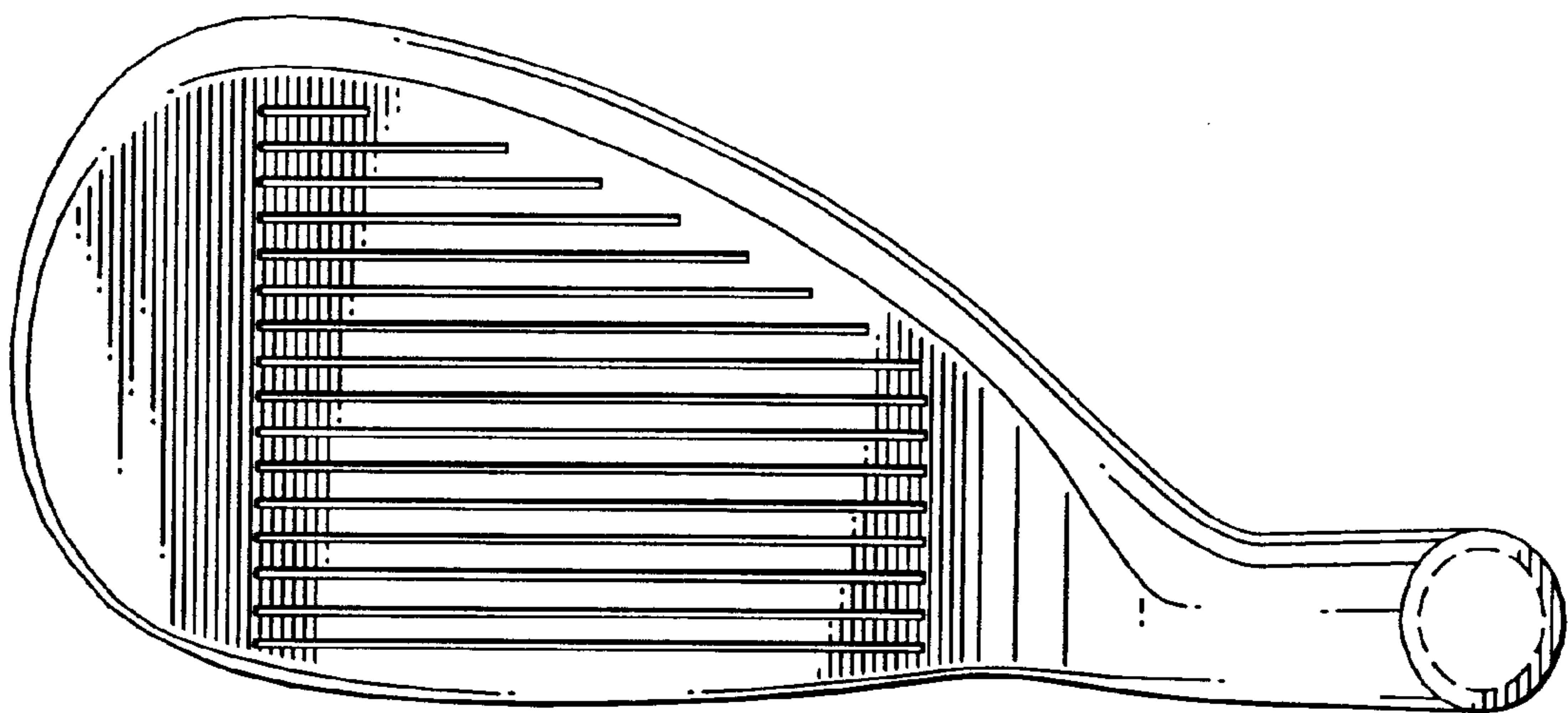
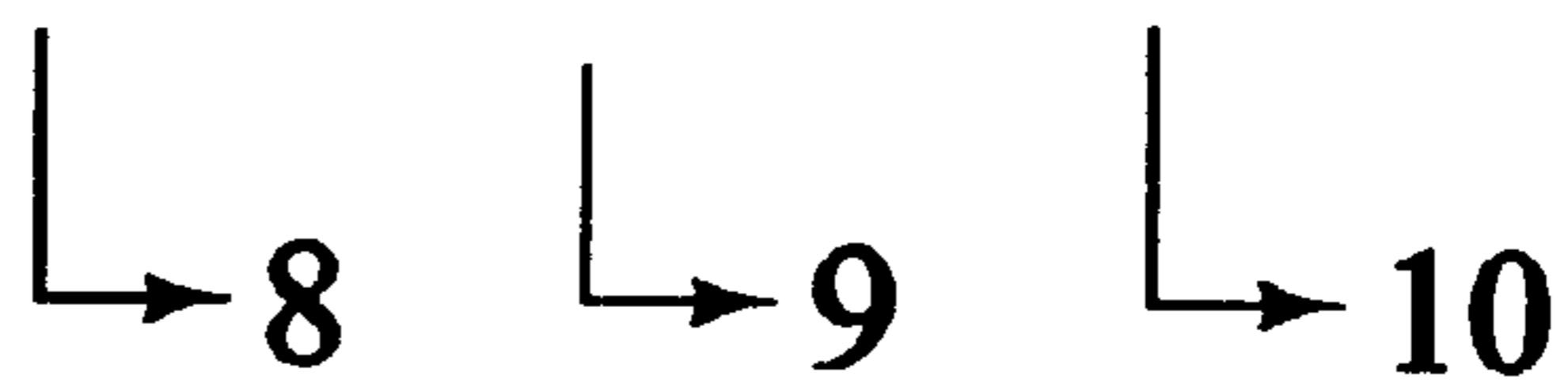


FIG. 4

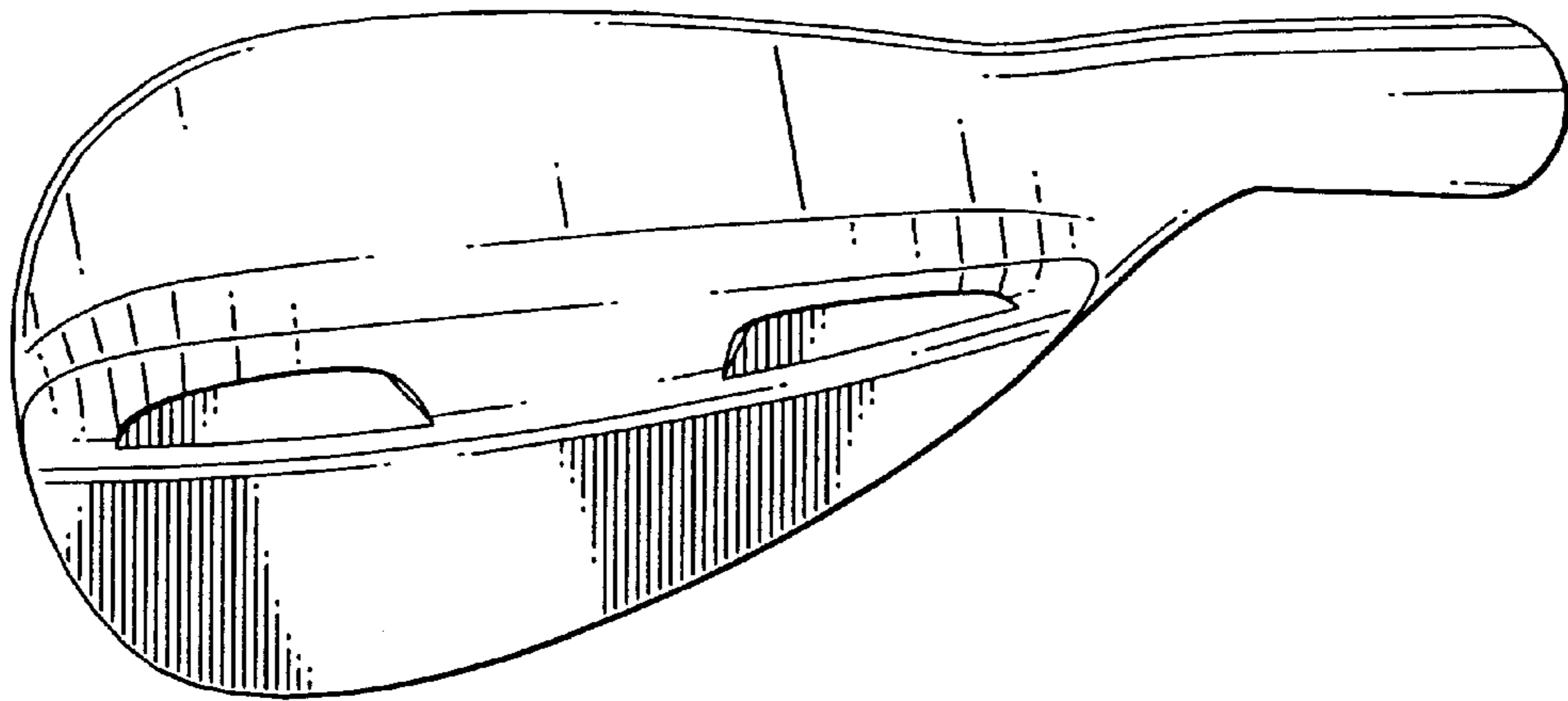


FIG. 5

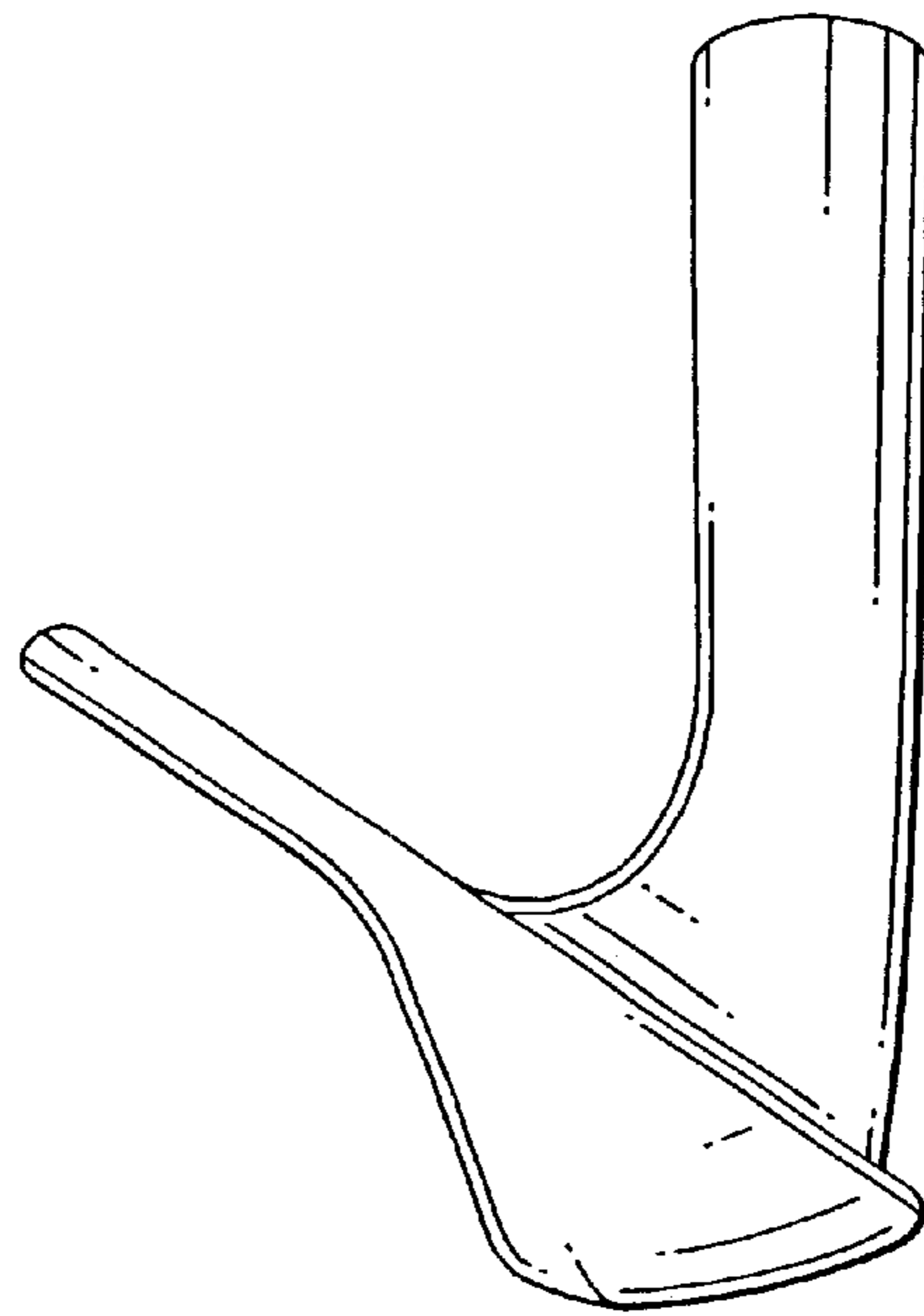


FIG. 6

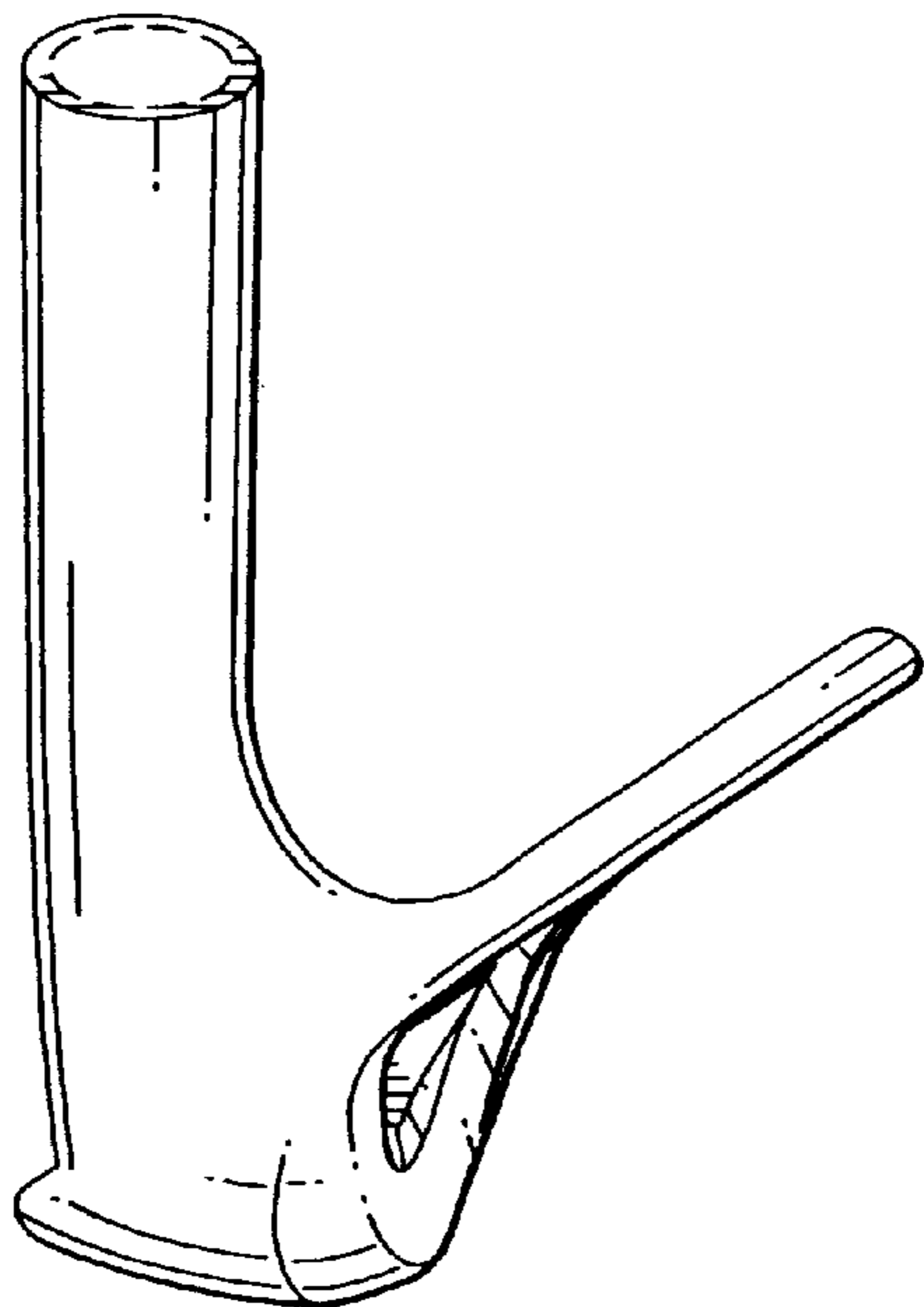


FIG. 7

FIG. 8

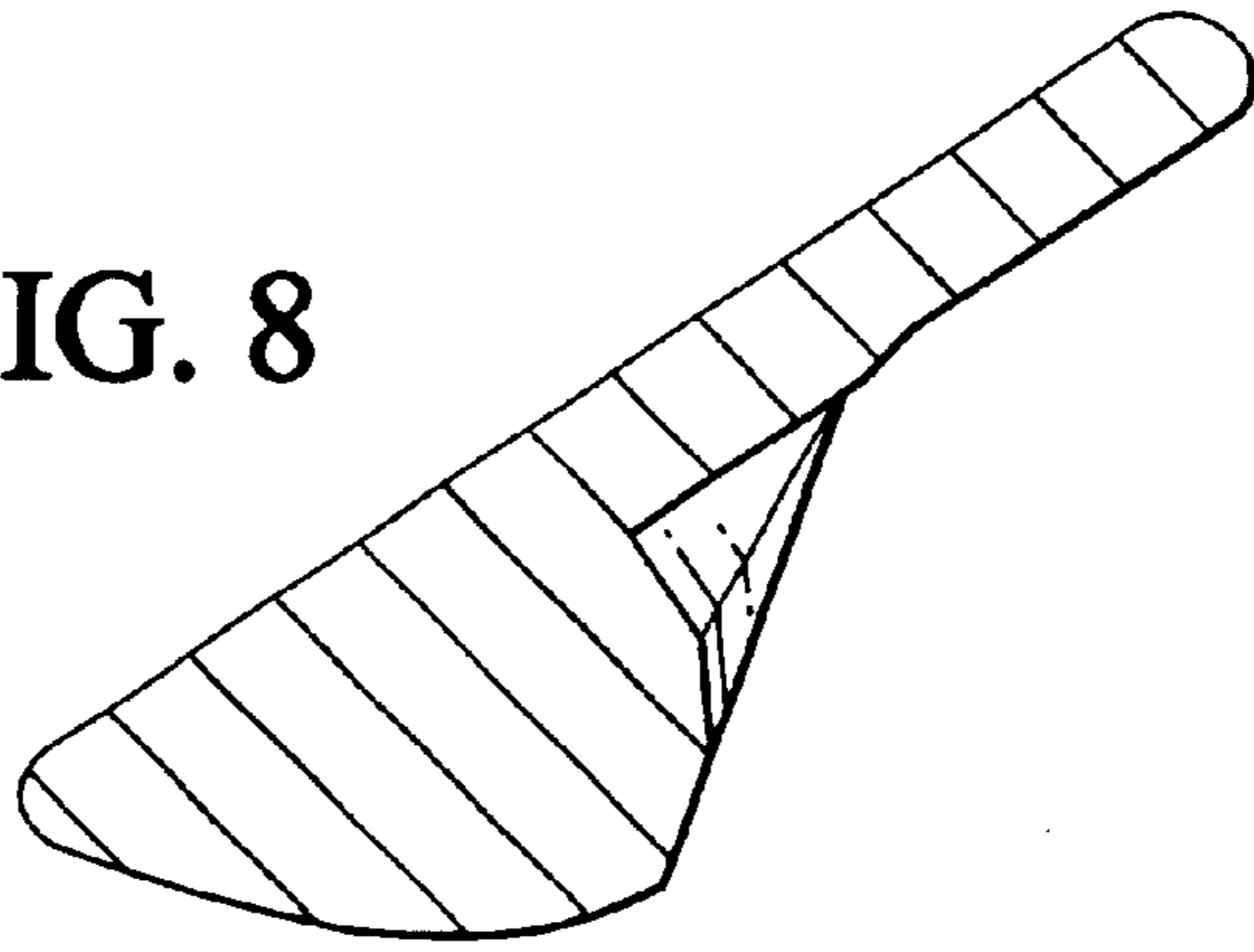


FIG. 9

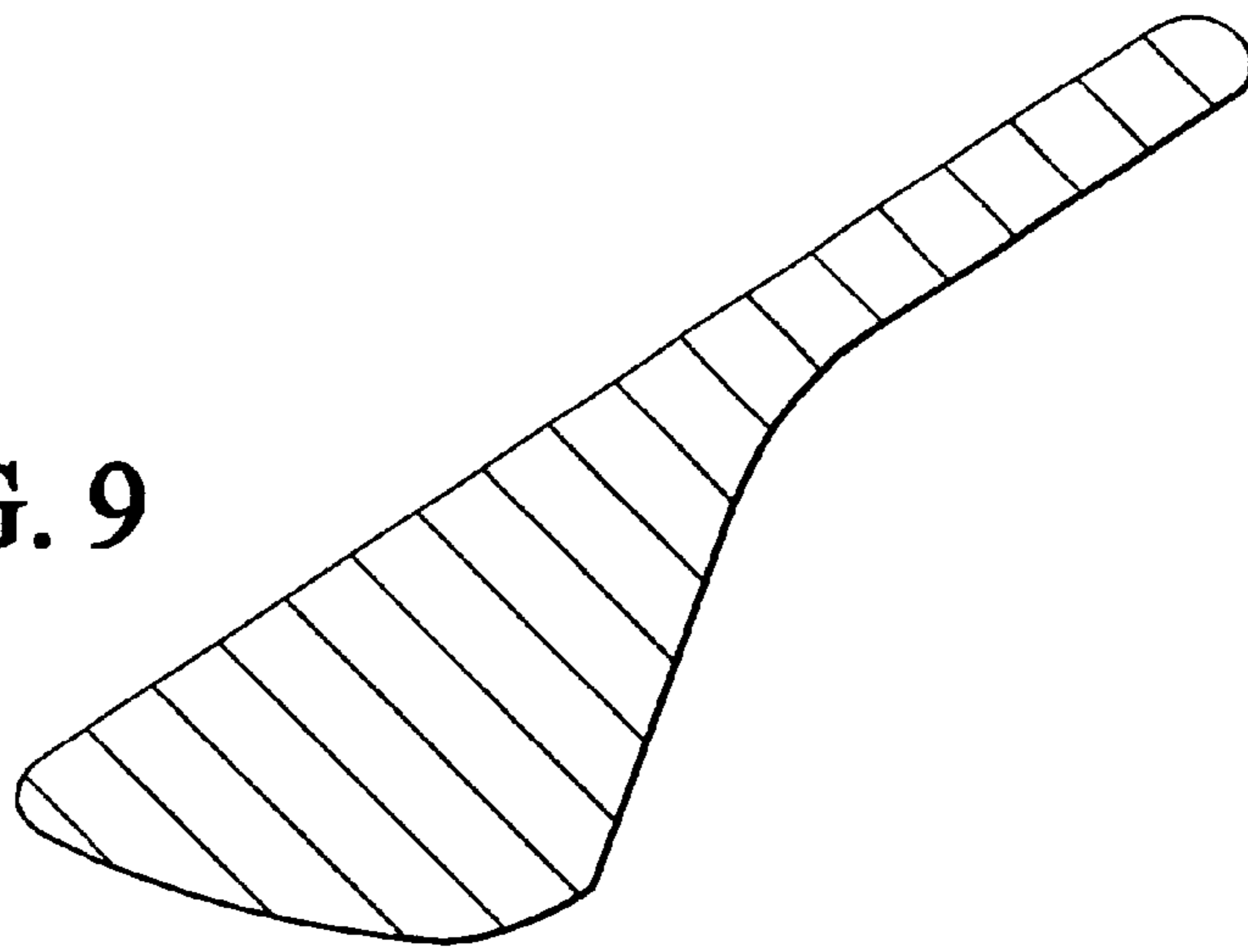


FIG. 10

