



US00D468379S

(12) **United States Design Patent**
Gan

(10) **Patent No.:** **US D468,379 S**

(45) **Date of Patent:** **** Jan. 7, 2003**

(54) **GOLF BALL TEE**

(76) Inventor: **Shubang Gan**, 2029, 233 Rd. St. SE.,
Bothell, WA (US) 98021

(**) Term: **14 Years**

(21) Appl. No.: **29/140,740**

(22) Filed: **Apr. 23, 2001**

(51) **LOC (7) Cl.** **21-02**

(52) **U.S. Cl.** **D21/717**

(58) **Field of Search** D21/717, 718;
473/386, 387, 400

(56) **References Cited**

U.S. PATENT DOCUMENTS

2,073,328 A * 3/1937 Wasserlein, Sr. 473/386

5,672,122 A * 9/1997 Strong 473/400

D430,913 S * 9/2000 Lovelace D21/718

D431,849 S * 10/2000 MacDonald D21/718

D453,810 S * 2/2002 Lee D21/717

* cited by examiner

Primary Examiner—Dominic Simone

(57) **CLAIM**

The ornamental design for a golf ball tee, as shown.

DESCRIPTION

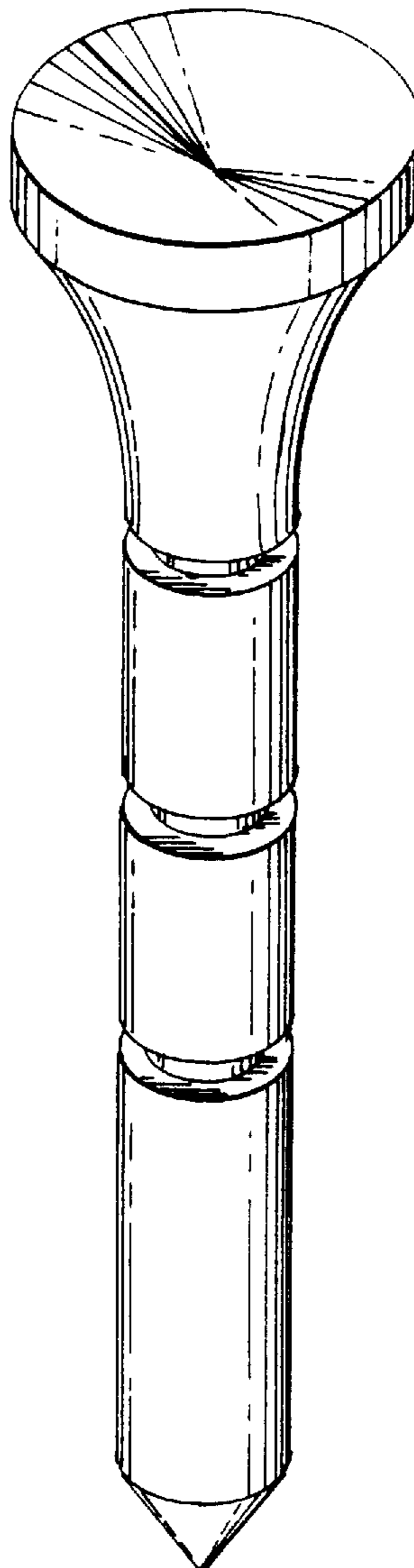
FIG. 1 is a perspective view of a golf ball tee showing my new design;

FIG. 2 is a side view thereof;

FIG. 3 is top plan view thereof; and,

FIG. 4 is a bottom plan view thereof.

1 Claim, 1 Drawing Sheet



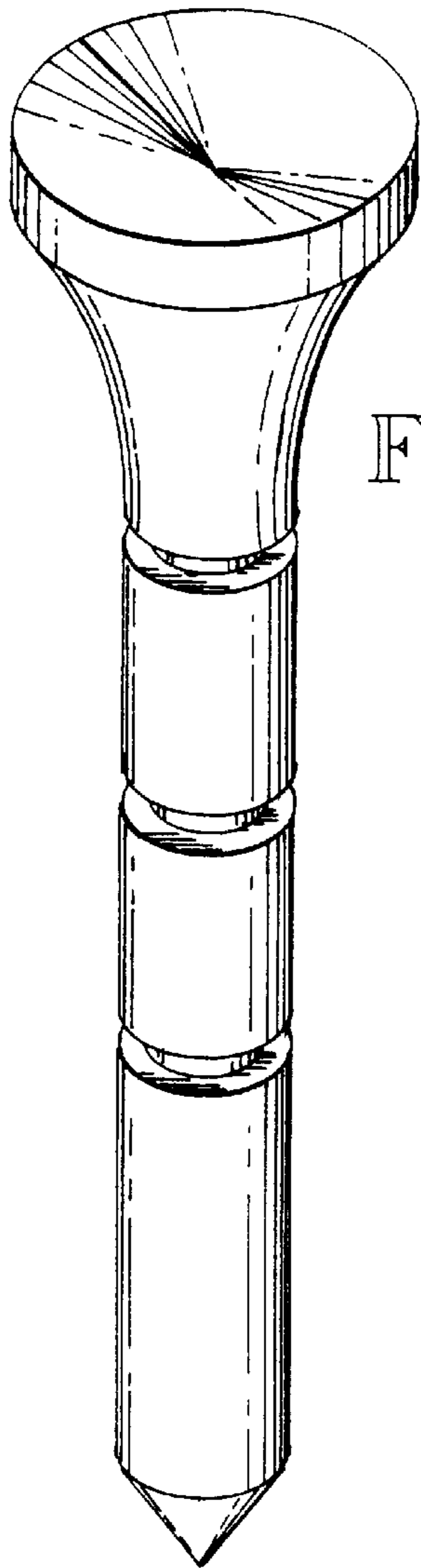


FIG. 1

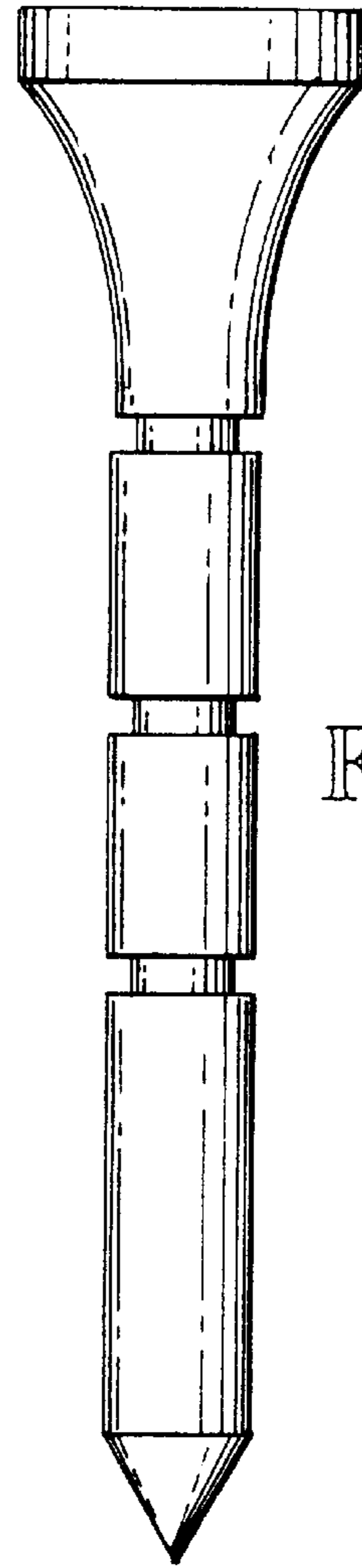


FIG. 2

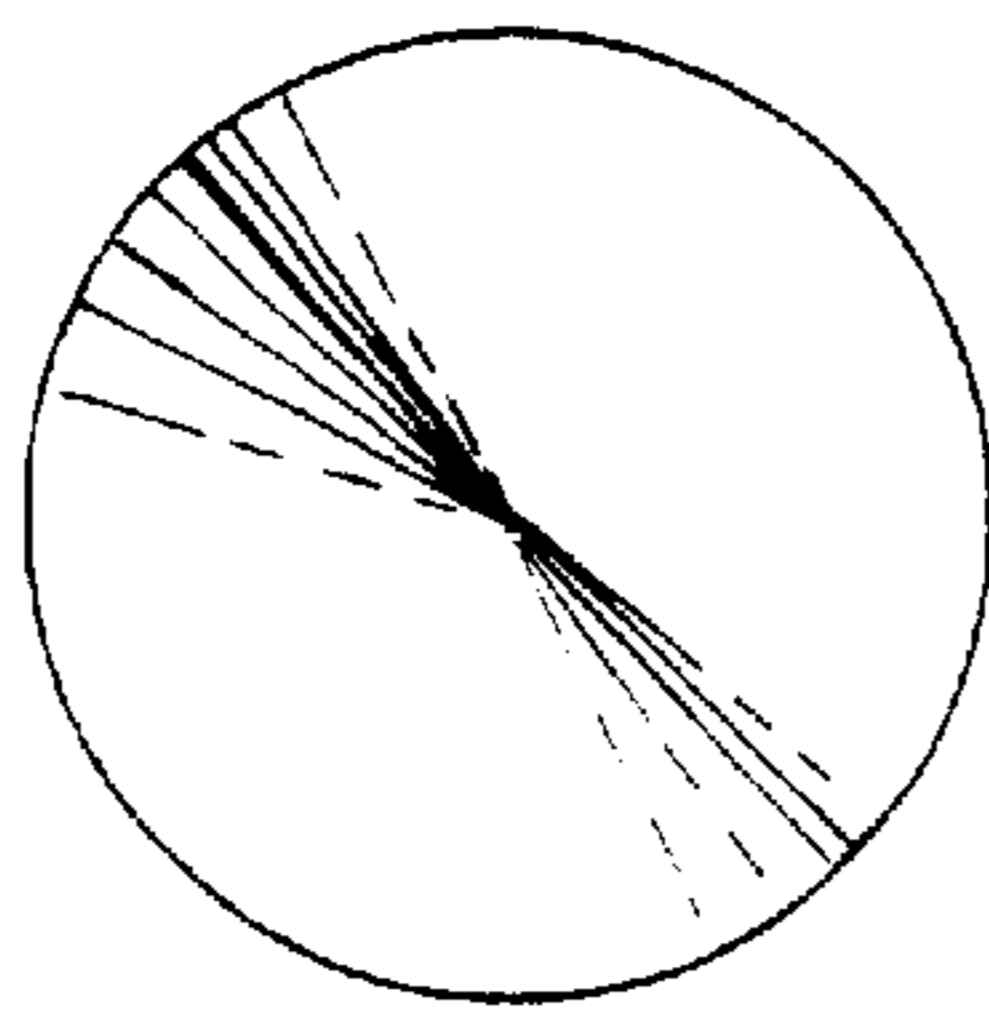


FIG. 3

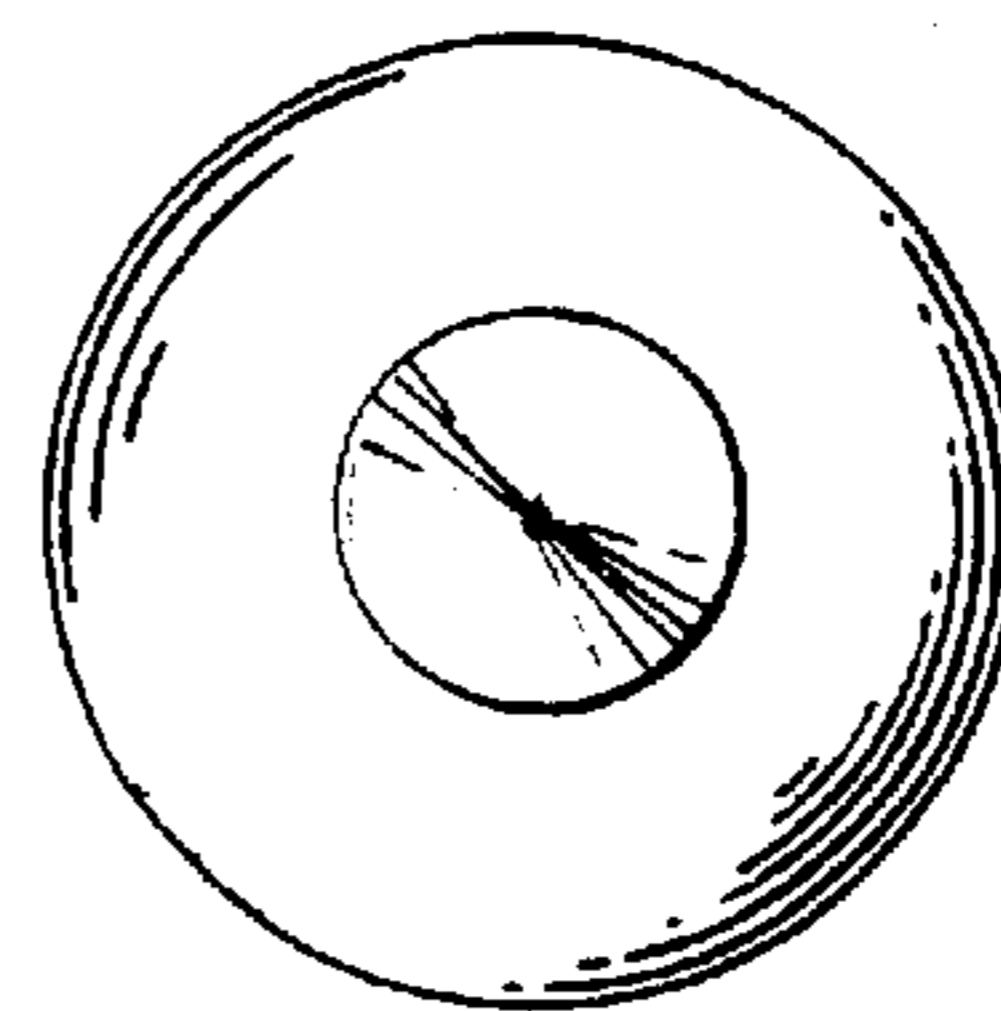


FIG. 4