



US00D468374S

(12) **United States Design Patent**  
**So**

(10) **Patent No.:** **US D468,374 S**

(45) **Date of Patent:** **\*\* Jan. 7, 2003**

(54) **TOY DOG**

(75) **Inventor:** **Moon-Lam So, Kowloon (CN)**

(73) **Assignee:** **May Cheong Toy Products Factory Limited, Kowloon (CN)**

(\*\*) **Term:** **14 Years**

(21) **Appl. No.:** **29/159,931**

(22) **Filed:** **Apr. 30, 2002**

(51) **LOC (7) Cl.** ..... **21-01**

(52) **U.S. Cl.** ..... **D21/611; D21/578; D21/592**

(58) **Field of Search** ..... **D21/576-578, D21/584, 585, 589, 592, 611-613; D11/158; 446/72, 97, 268, 269, 276, 279, 285, 317, 369**

(56) **References Cited**

**U.S. PATENT DOCUMENTS**

D267,896 S \* 2/1983 Nuttall et al. .... D21/592  
D373,801 S \* 9/1996 Doi et al. .... D21/592

D418,553 S \* 1/2000 Sisler ..... D21/611  
D445,849 S \* 7/2001 Saito ..... D21/578  
D454,378 S \* 3/2002 Hornsby et al. .... D21/578  
D457,203 S \* 5/2002 Onishi et al. .... D21/578

\* cited by examiner

*Primary Examiner*—Sandra L. Morris

(74) *Attorney, Agent, or Firm*—Alix, Yale & Ristas, LLP

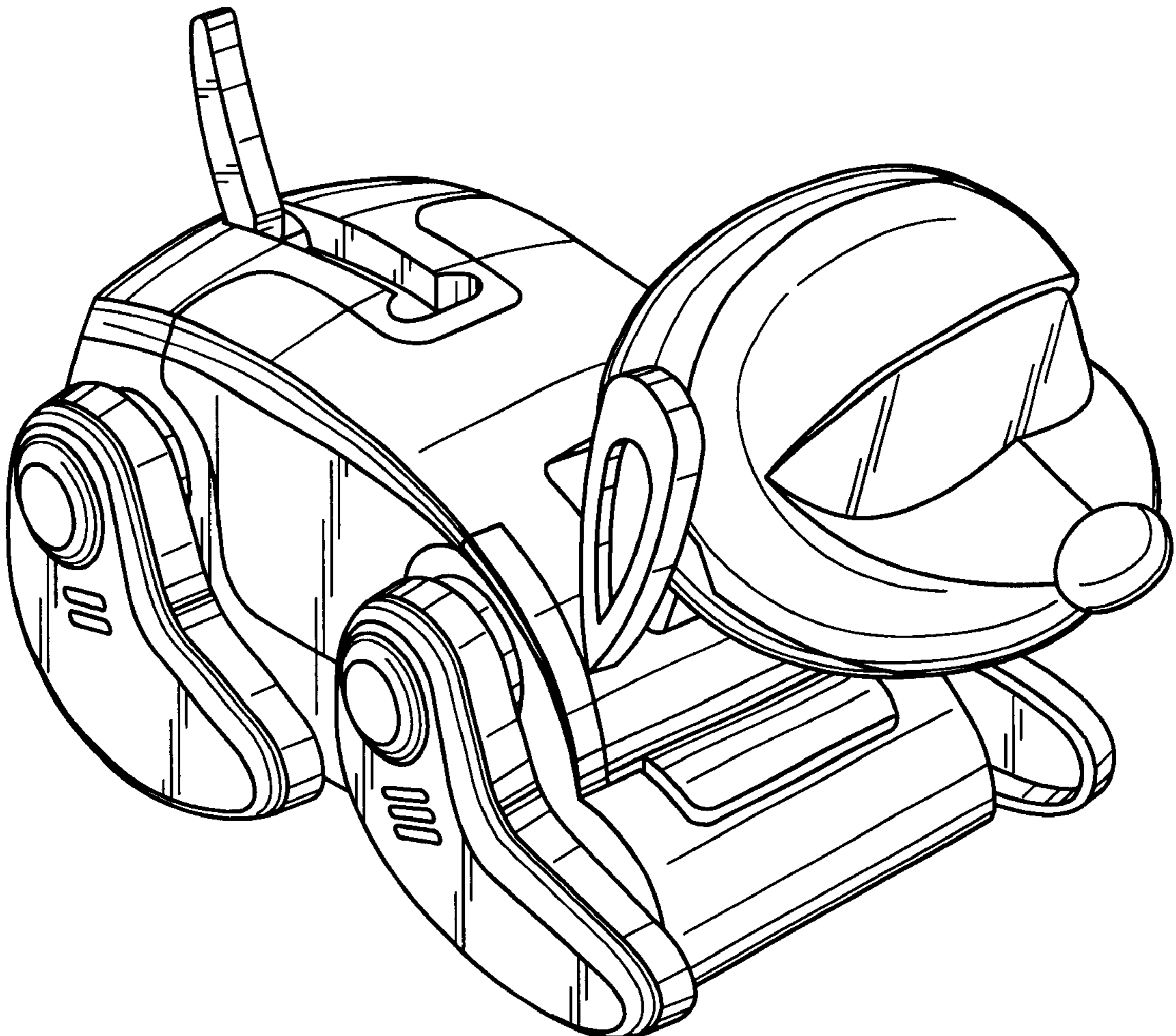
(57) **CLAIM**

The ornamental design for a toy dog, as shown and described.

**DESCRIPTION**

FIG. 1 is a front perspective view of a toy dog showing my new design;  
FIG. 2 is a front elevational view thereof;  
FIG. 3 is a rear elevational view thereof;  
FIG. 4 is a left side elevational view thereof;  
FIG. 5 is a right side elevational view thereof;  
FIG. 6 is a top plan view thereof; and,  
FIG. 7 is a bottom plan view thereof.

**1 Claim, 4 Drawing Sheets**



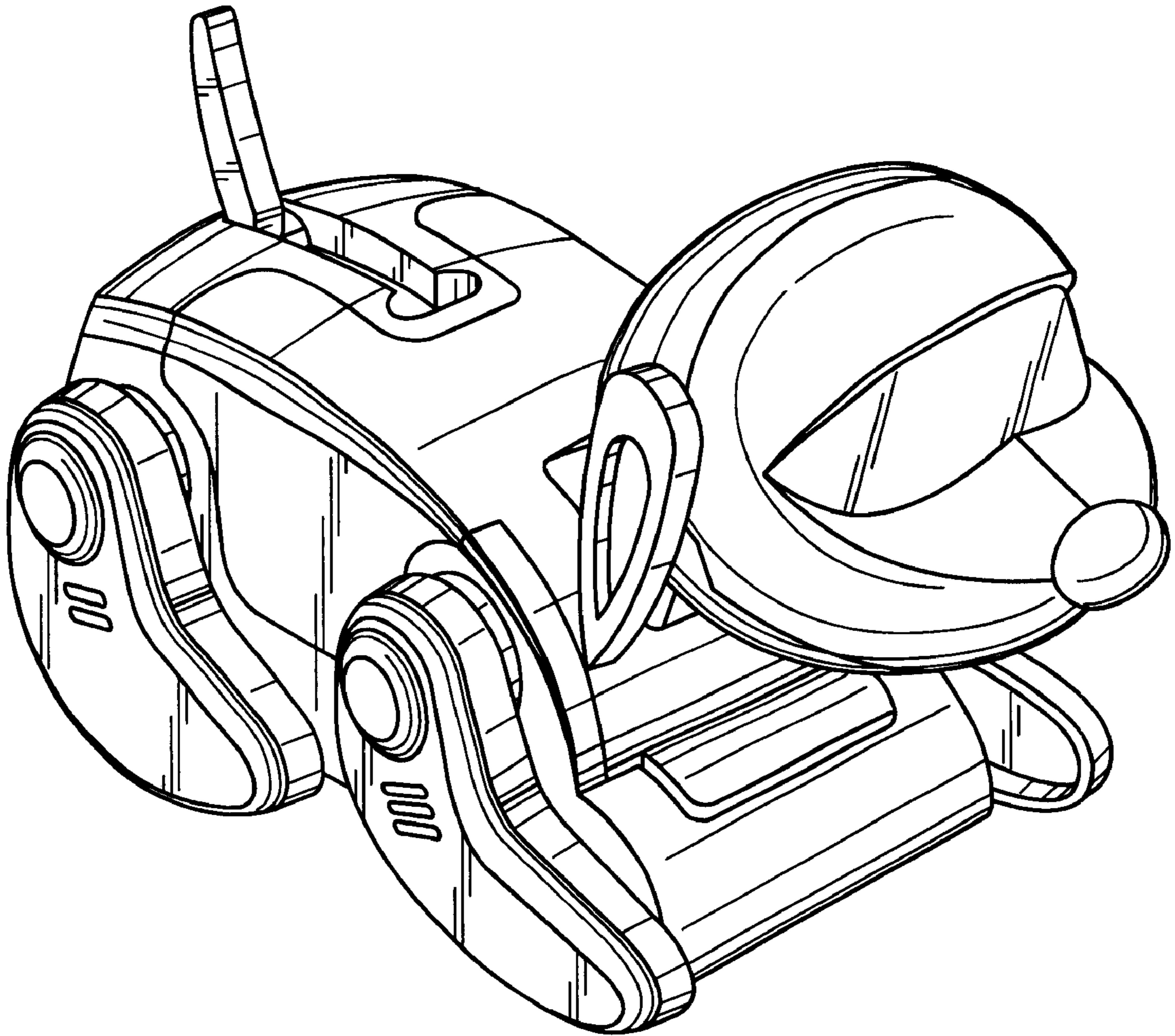


FIG. 1

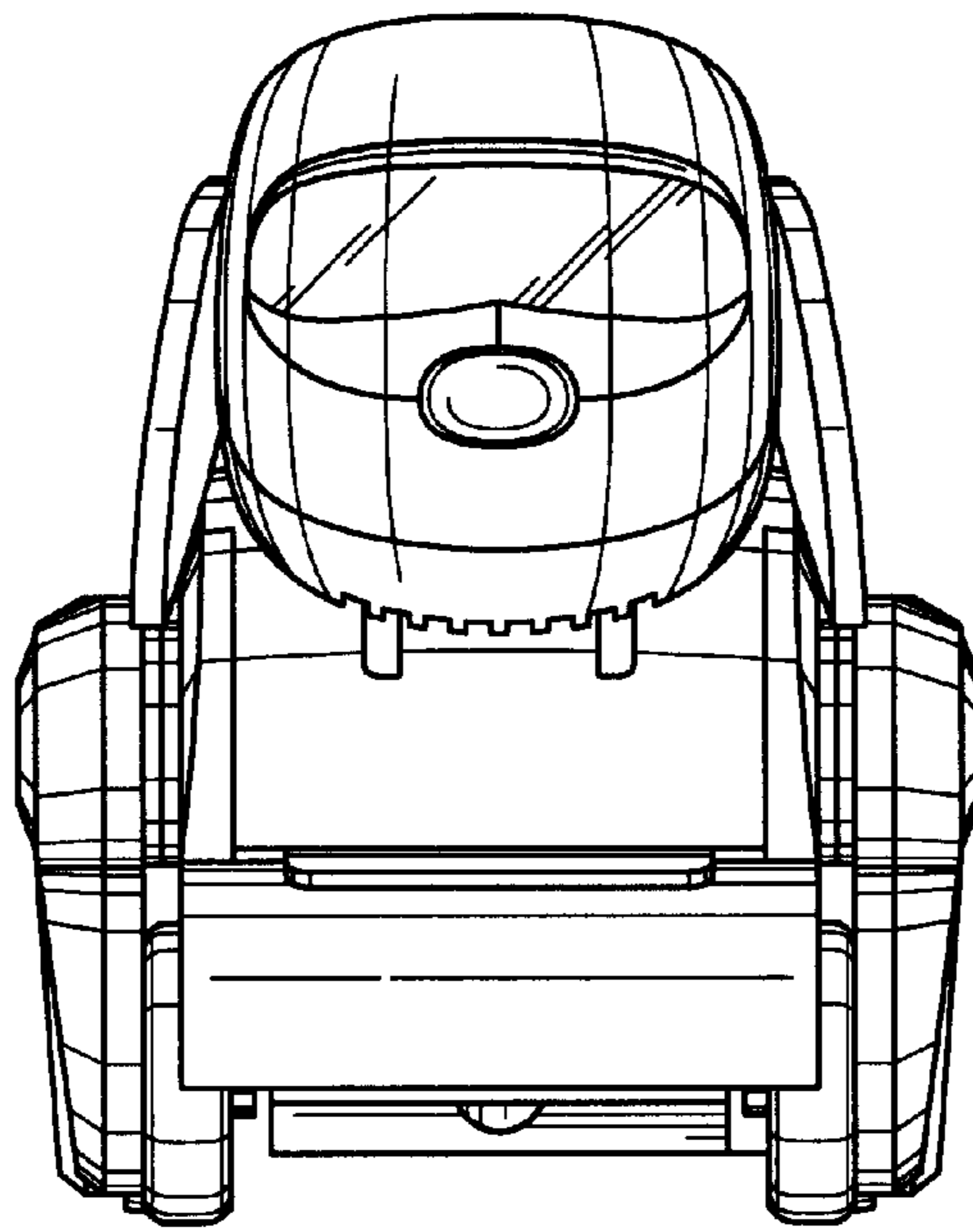


FIG. 2

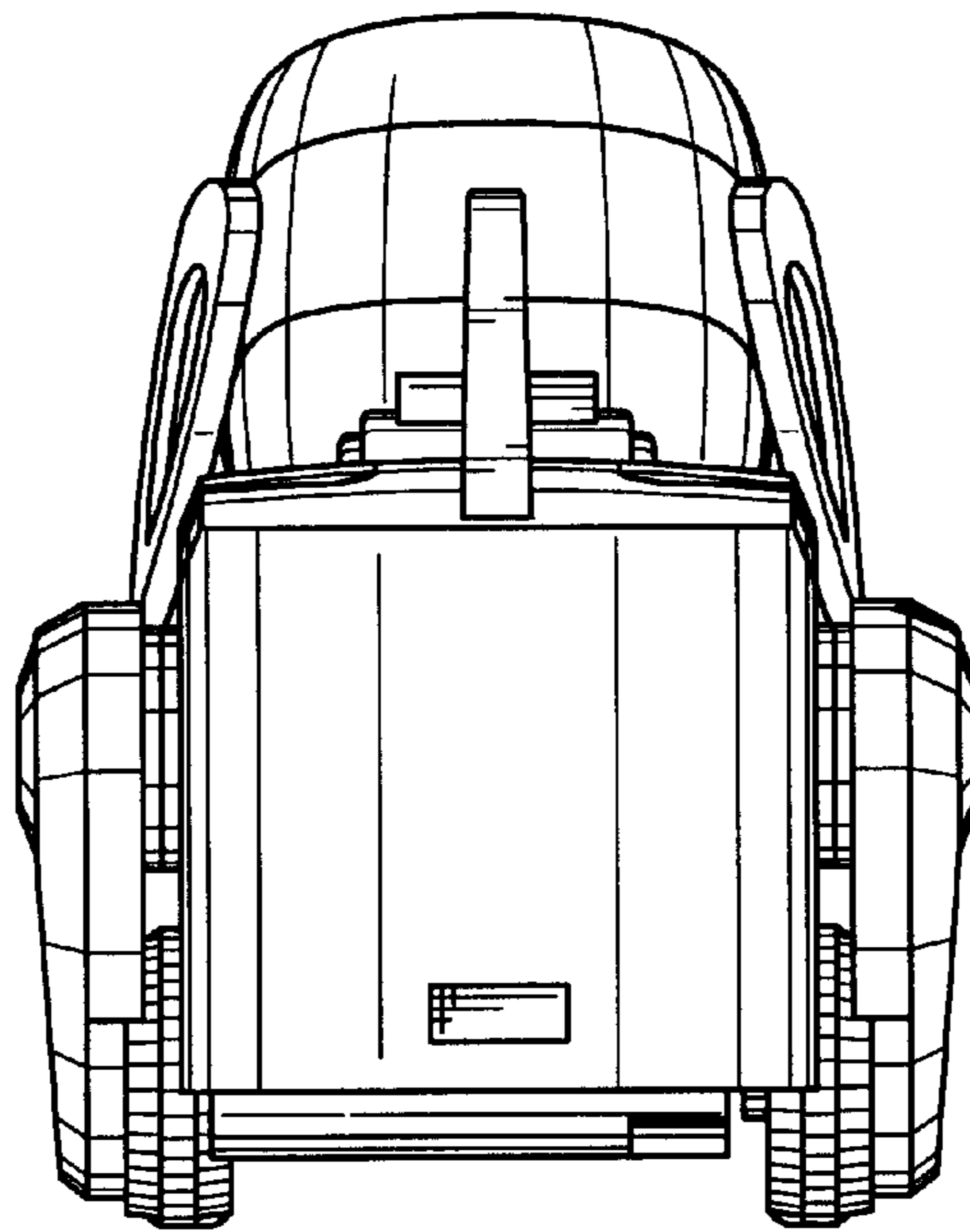


FIG. 3

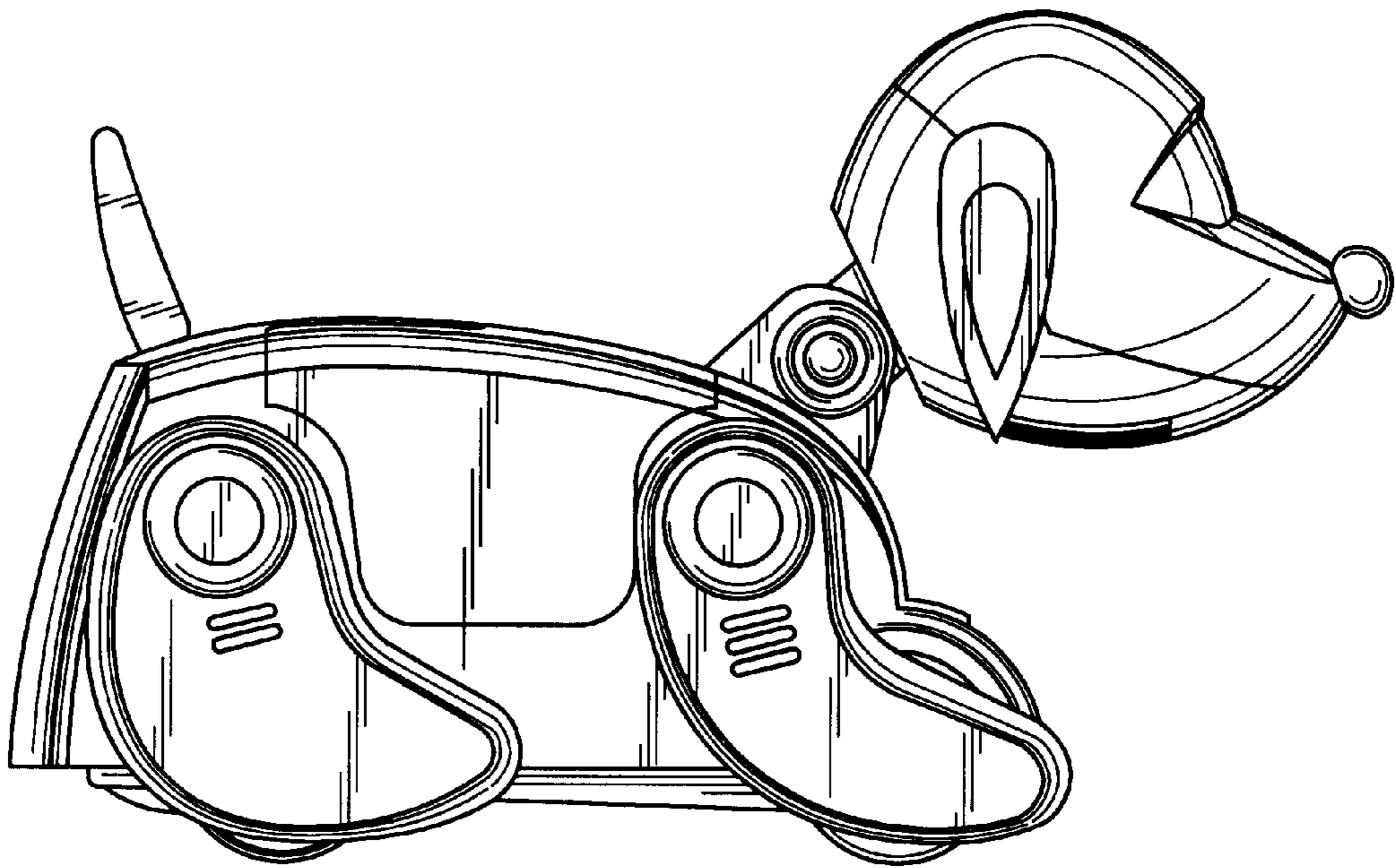


FIG. 4

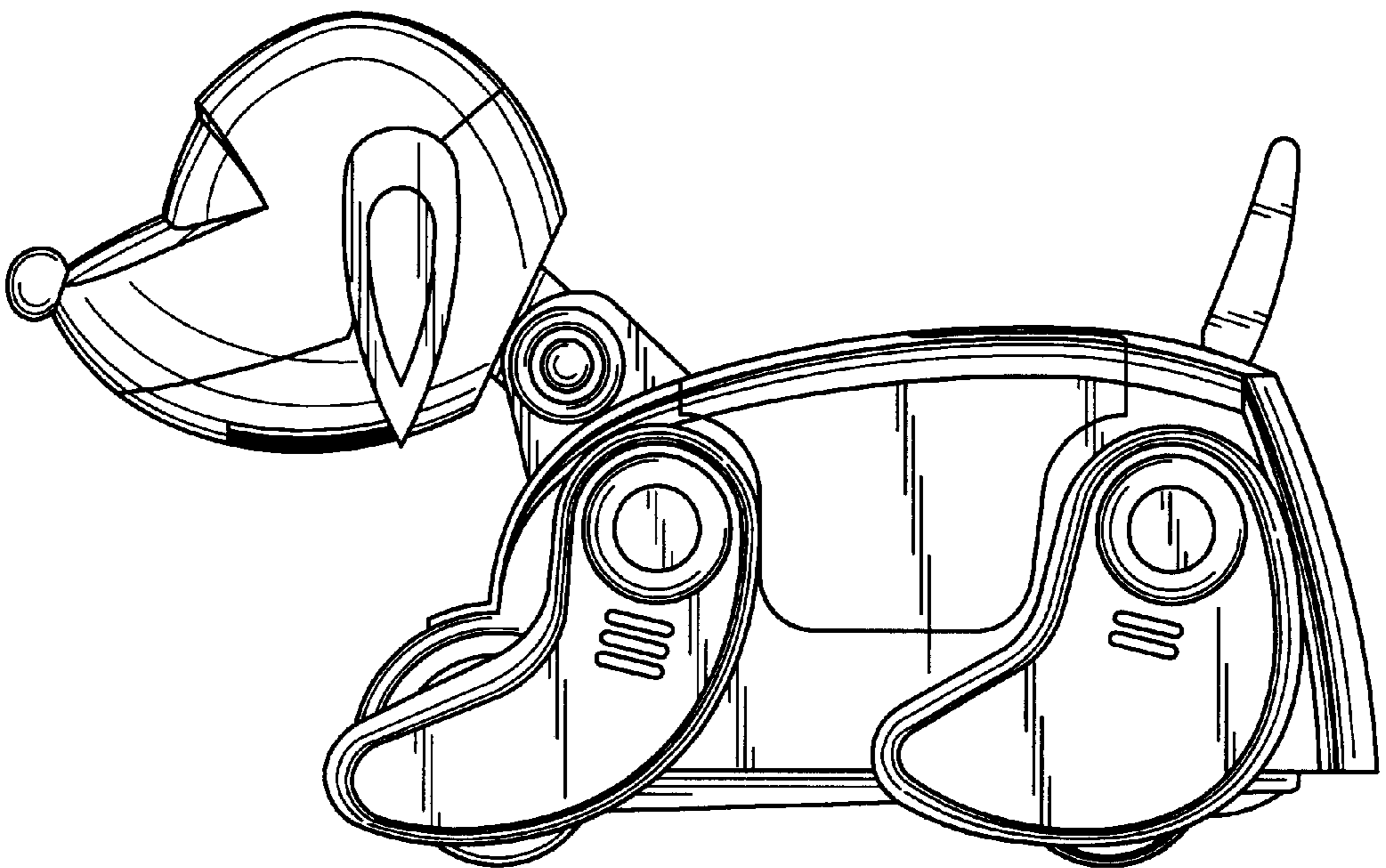


FIG. 5

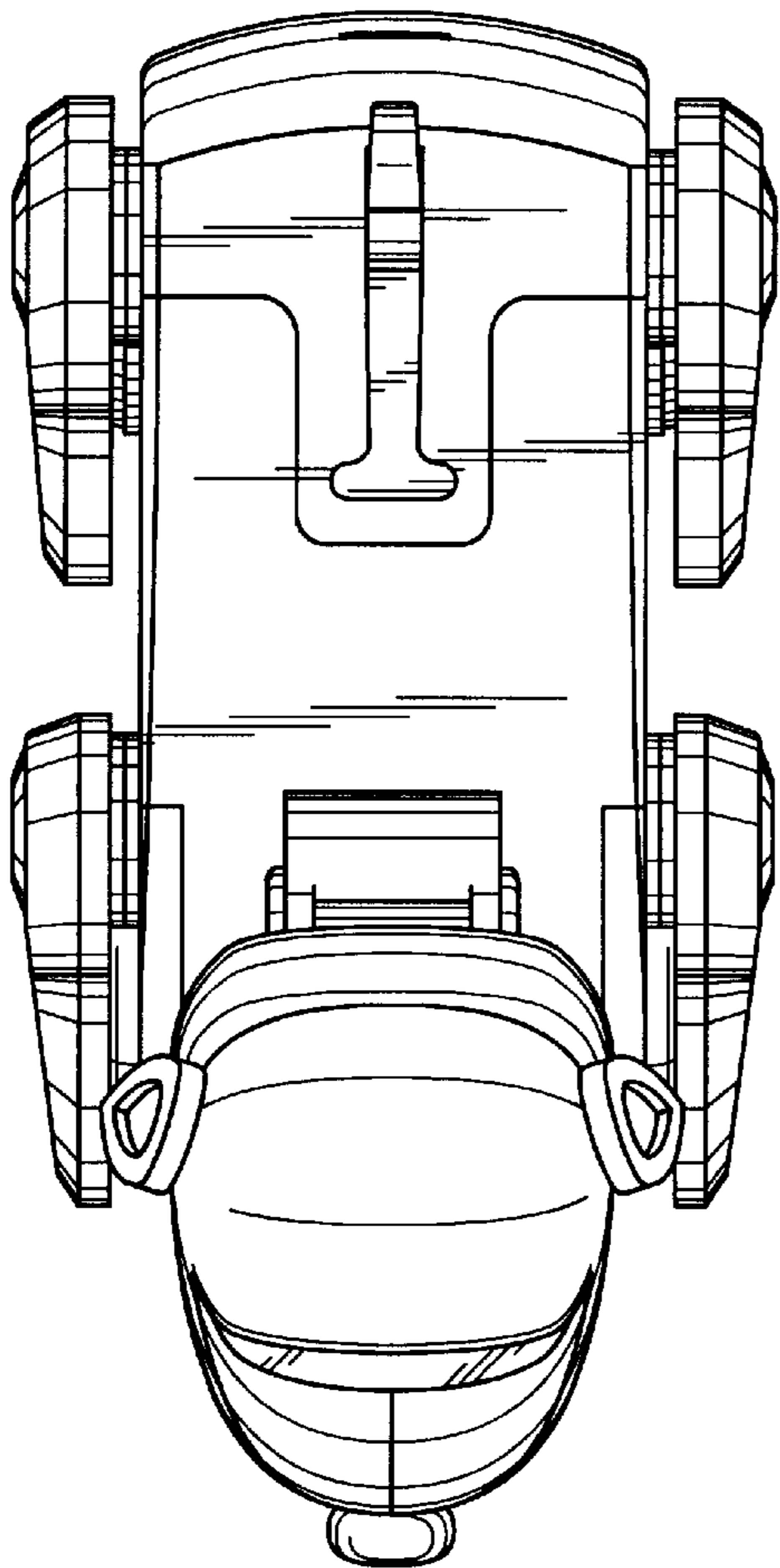


FIG. 6

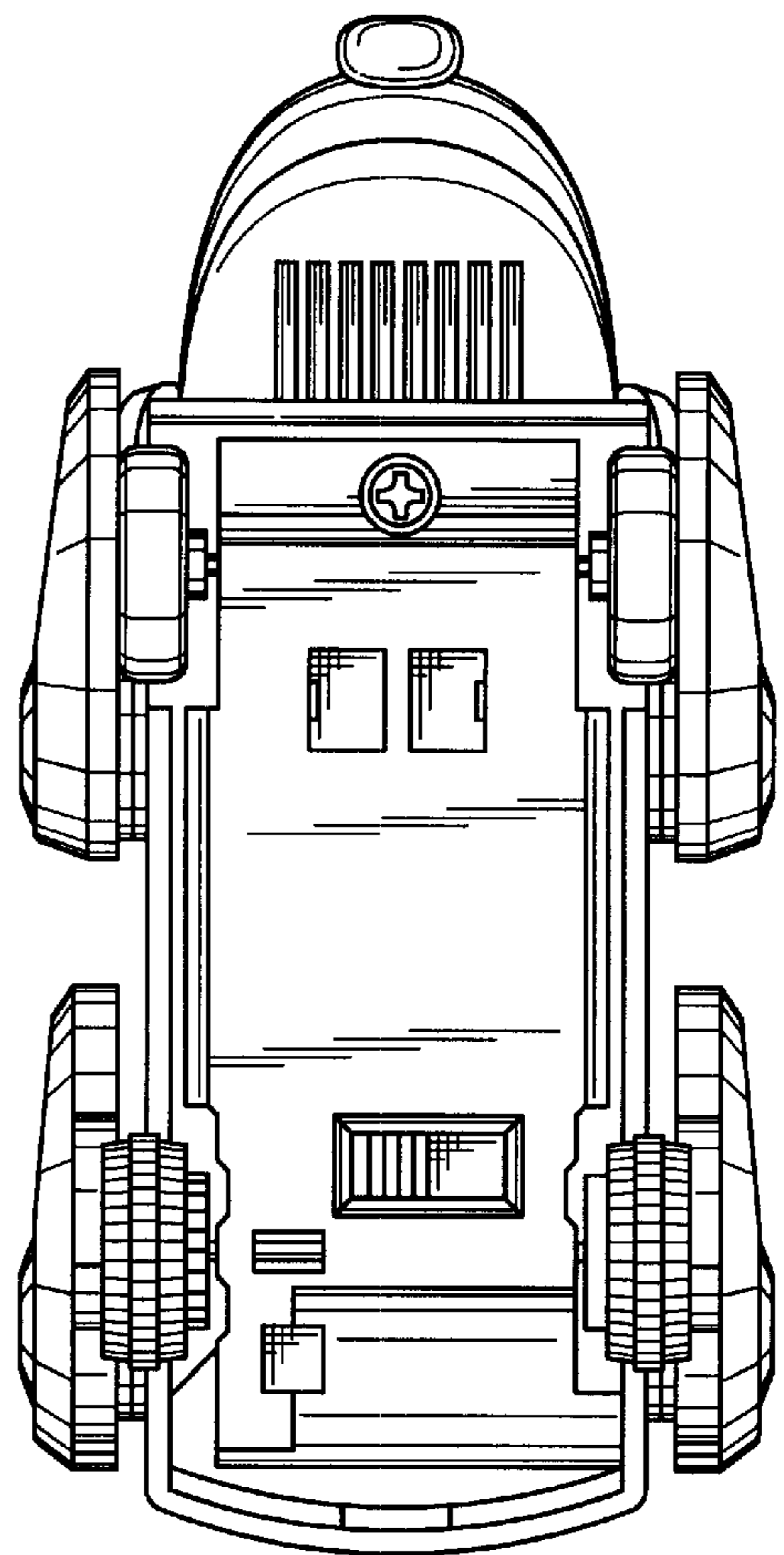


FIG. 7