



US00D468371S

(12) **United States Design Patent**
So

(10) **Patent No.:** **US D468,371 S**

(45) **Date of Patent:** **** Jan. 7, 2003**

(54) **RADIO CONTROLLER FOR TOY CAR WITH BATTERY CHARGER**

5,334,076 A * 8/1994 Shinozuka 446/462
D409,263 S * 5/1999 Pogue D21/566
D410,045 S * 5/1999 Fletcher D21/513

(75) Inventor: **Moon-Lam So, Kowloon (CN)**

* cited by examiner

(73) Assignee: **May Cheong Toy Products Factory Limited, Kowloon (CN)**

Primary Examiner—Raphael Barkai

(74) *Attorney, Agent, or Firm*—Alix, Yale & Ristas, LLP

(**) Term: **14 Years**

(57) **CLAIM**

(21) Appl. No.: **29/146,621**

The ornamental design for a radio controller for toy car with battery charger, as shown and described.

(22) Filed: **Aug. 13, 2001**

DESCRIPTION

(30) **Foreign Application Priority Data**

Feb. 26, 2001 (HK) 0110256

(51) **LOC (7) Cl.** **21-01**

(52) **U.S. Cl.** **D21/566**

(58) **Field of Search** D21/566, 333,
D21/324, 329, 513; D14/401, 217, 218;
446/454-456, 462, 141-143, 297, 404,
479; 463/1, 29-35, 46-47

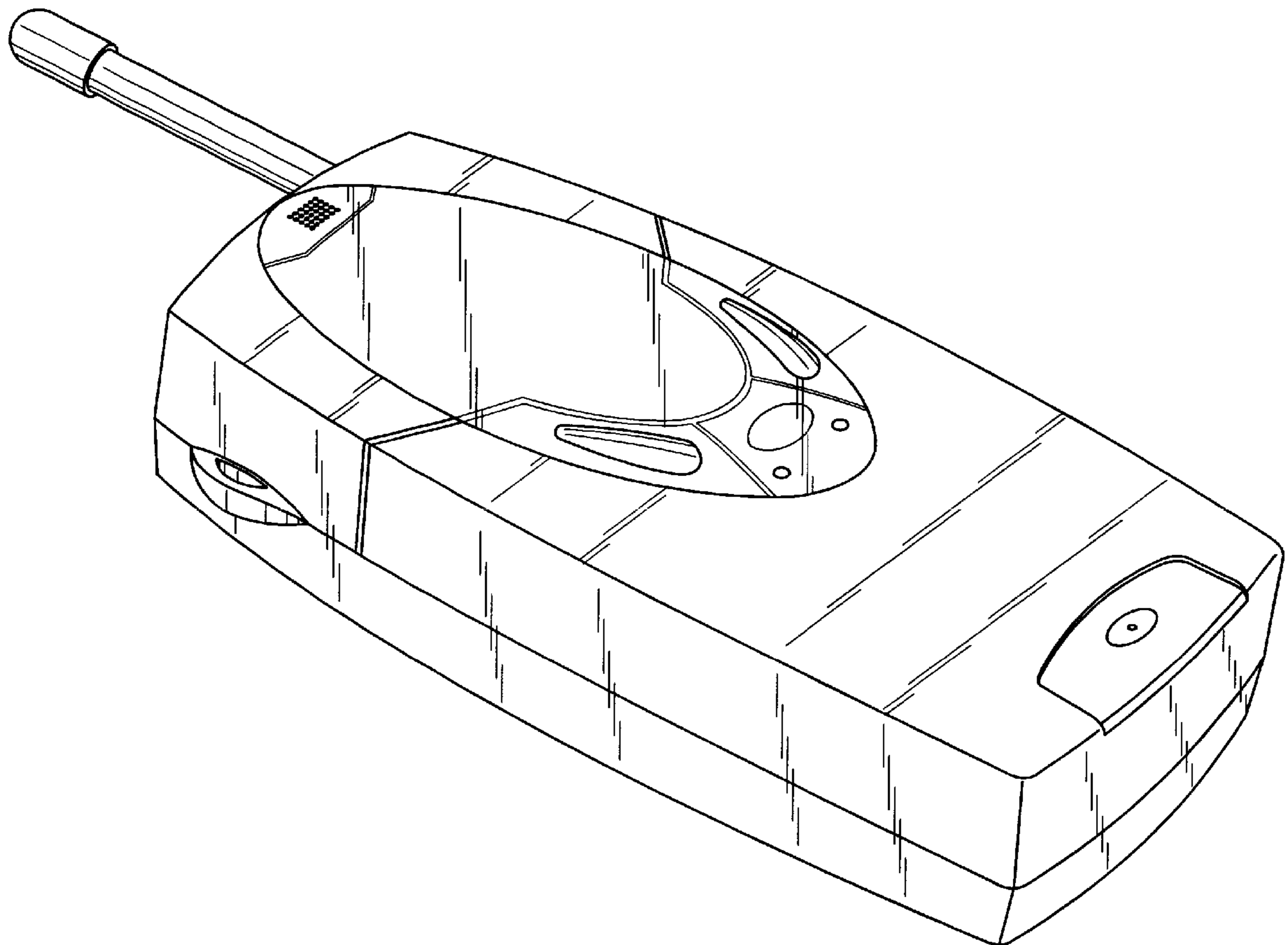
FIG. 1 is a perspective view of a radio controller for toy car with battery charger showing my new design;
FIG. 2 is a front elevational view thereof;
FIG. 3 is a left side elevational view thereof;
FIG. 4 is a top plan view thereof;
FIG. 5 is a rear elevational view thereof;
FIG. 6 is a right side elevational view thereof;
FIG. 7 is a bottom plan view thereof; and,
FIG. 8 is a perspective show from rear thereof.
The broken lines showing in FIG. 8 is for illustrative purposes only and forms no part of the claimed design.

(56) **References Cited**

U.S. PATENT DOCUMENTS

5,334,075 A * 8/1994 Kakizaki et al. 446/456

1 Claim, 4 Drawing Sheets



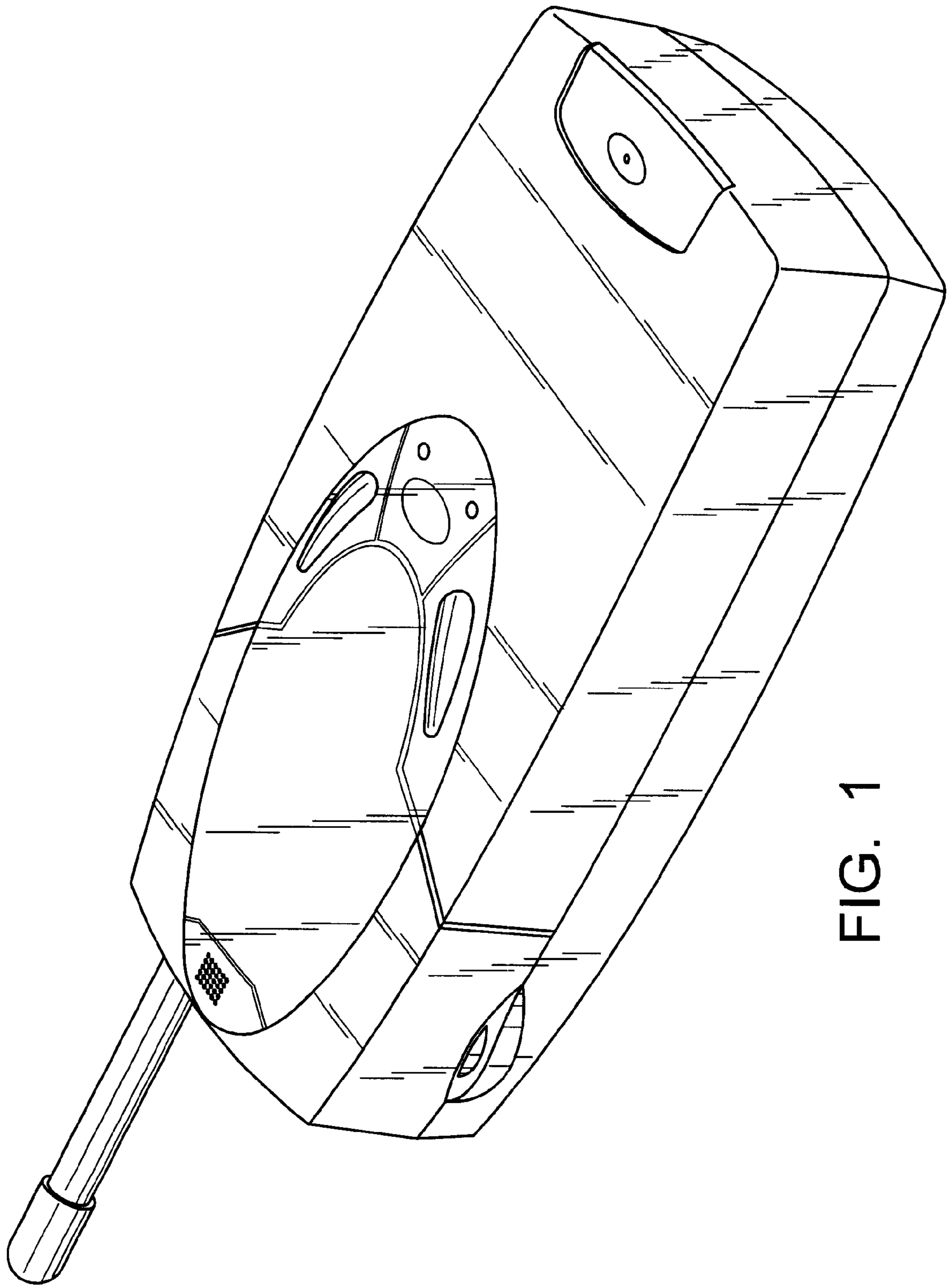


FIG. 1

FIG. 4

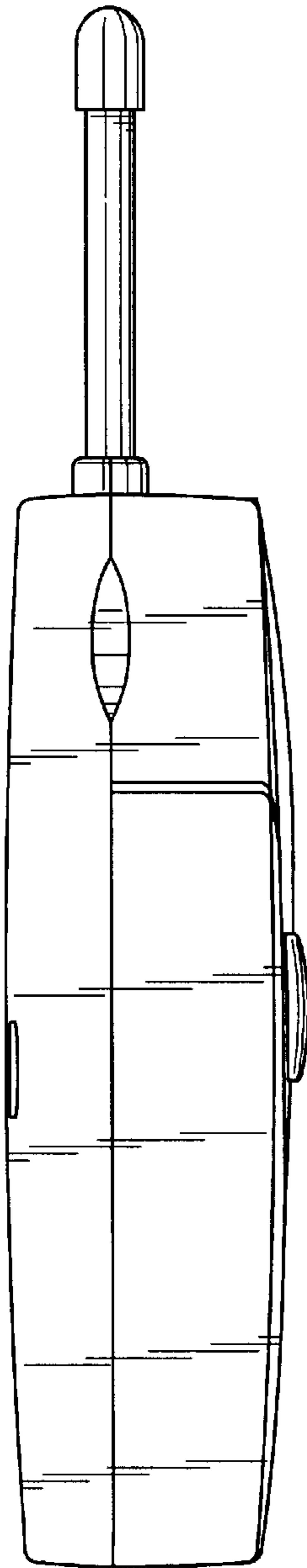
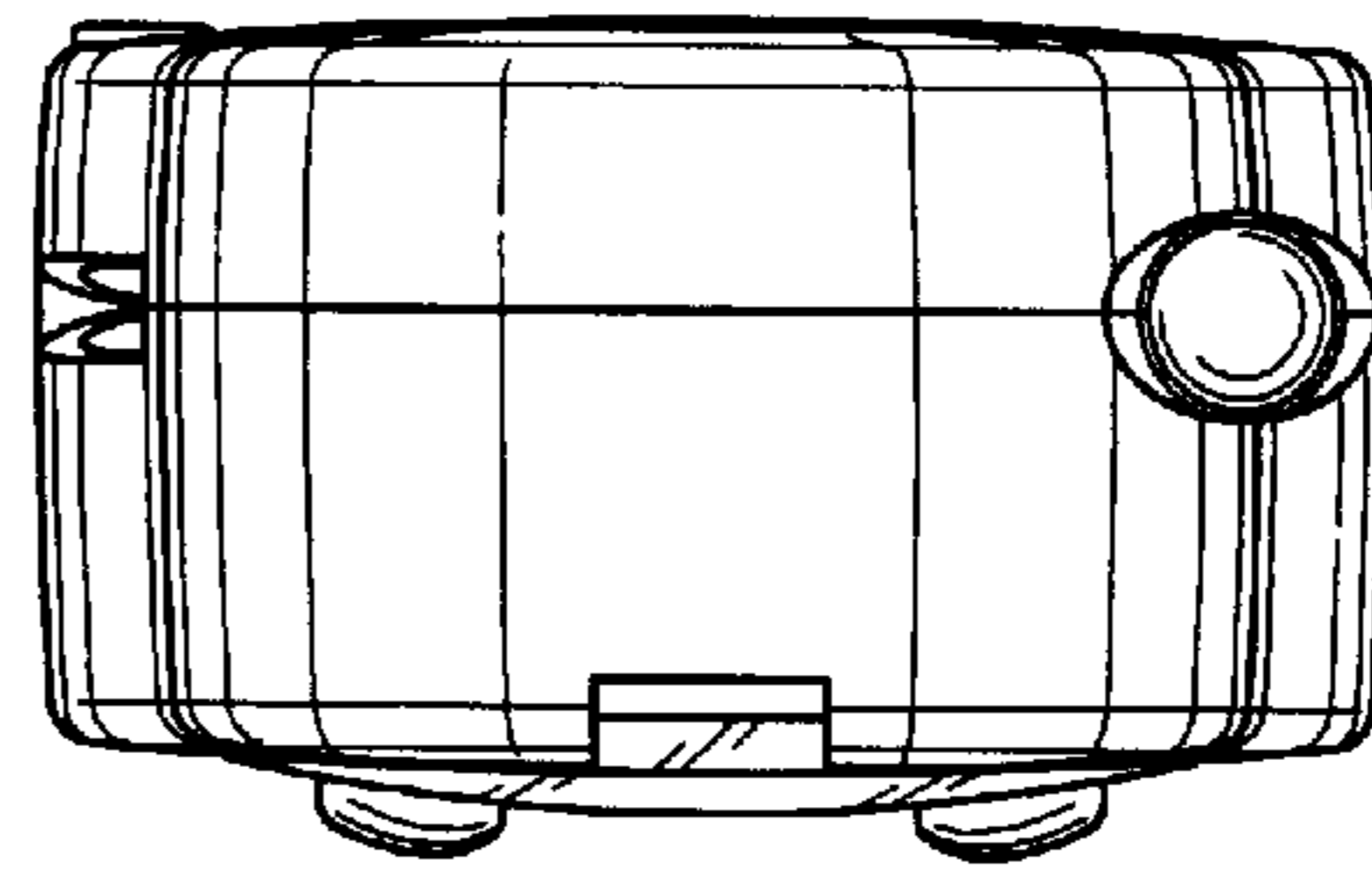


FIG. 3

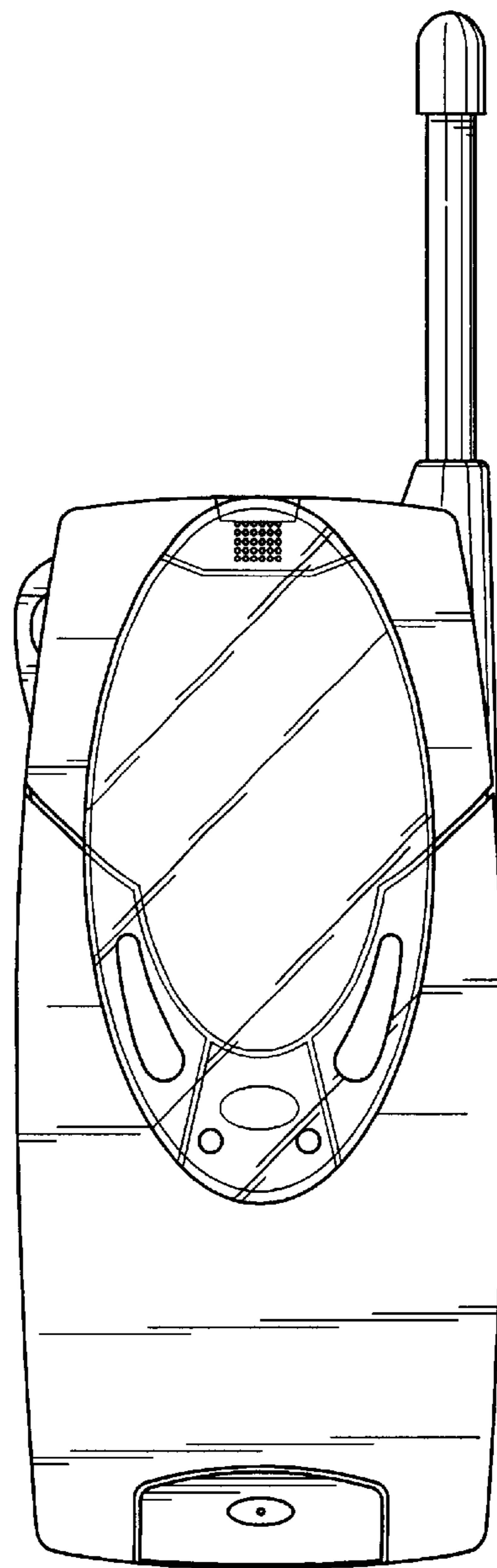


FIG. 2

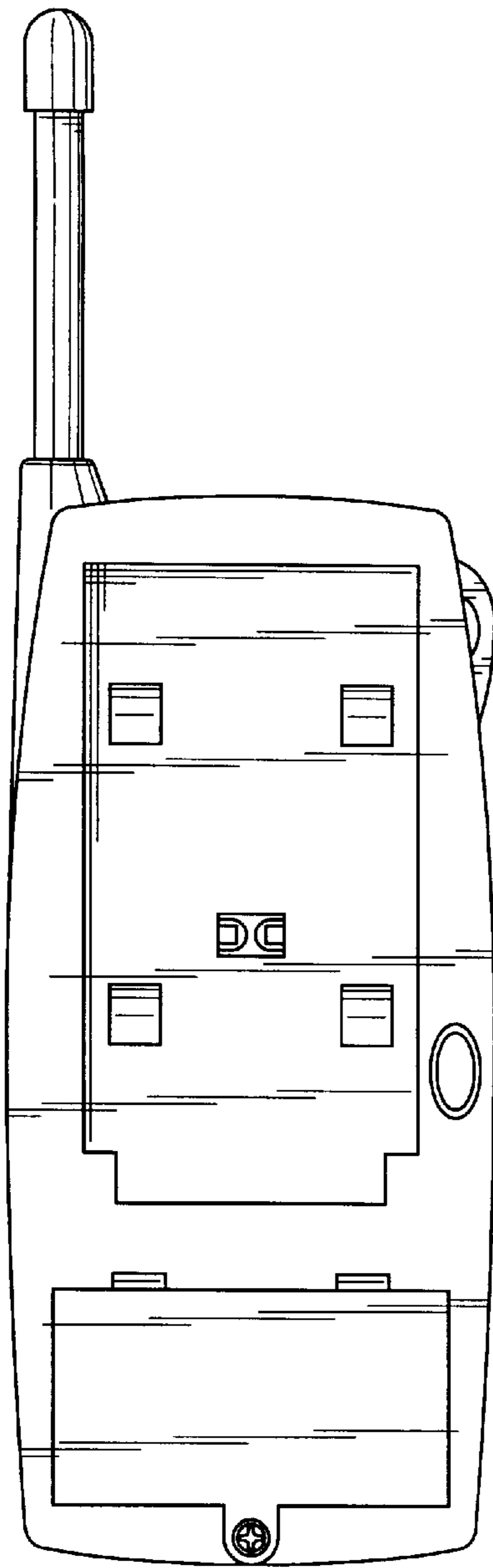


FIG. 5

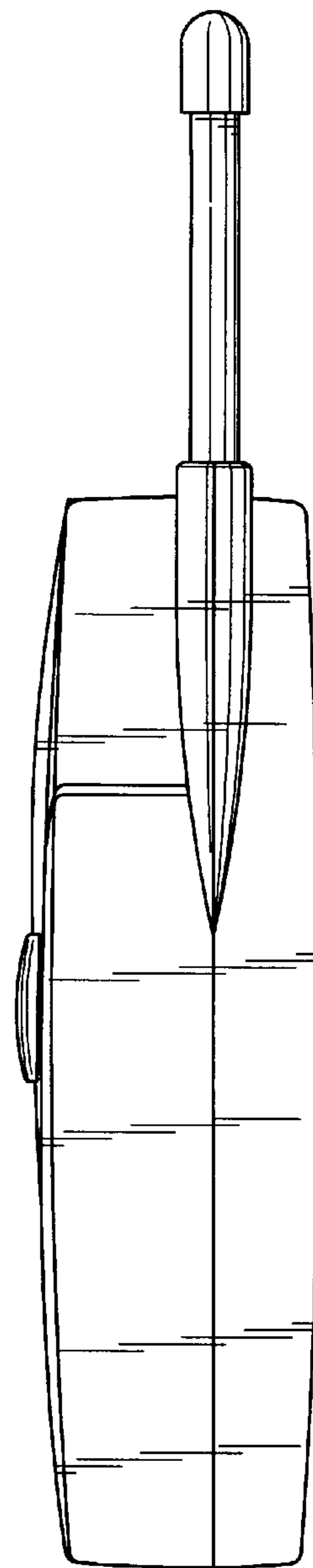


FIG. 6

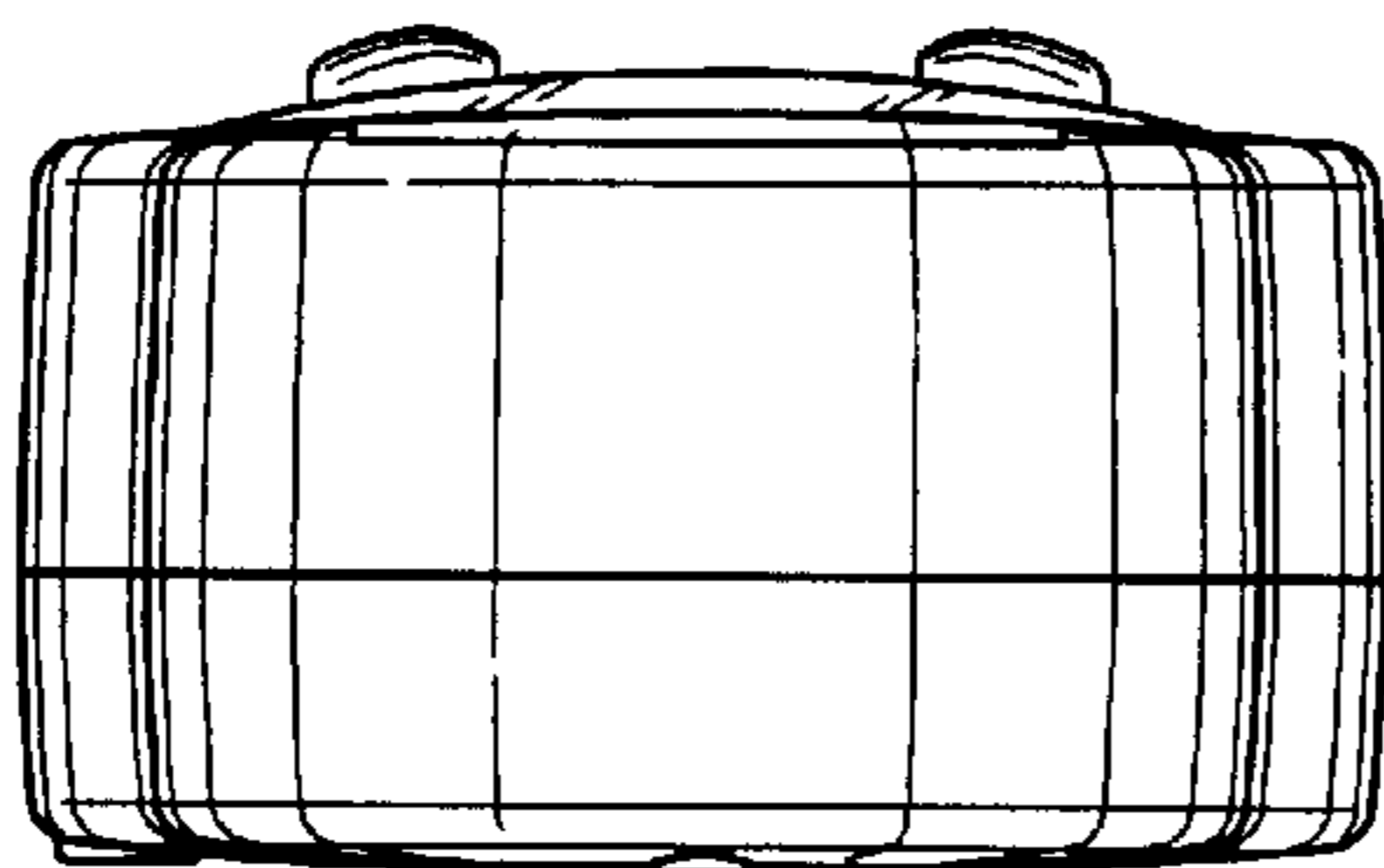


FIG. 7

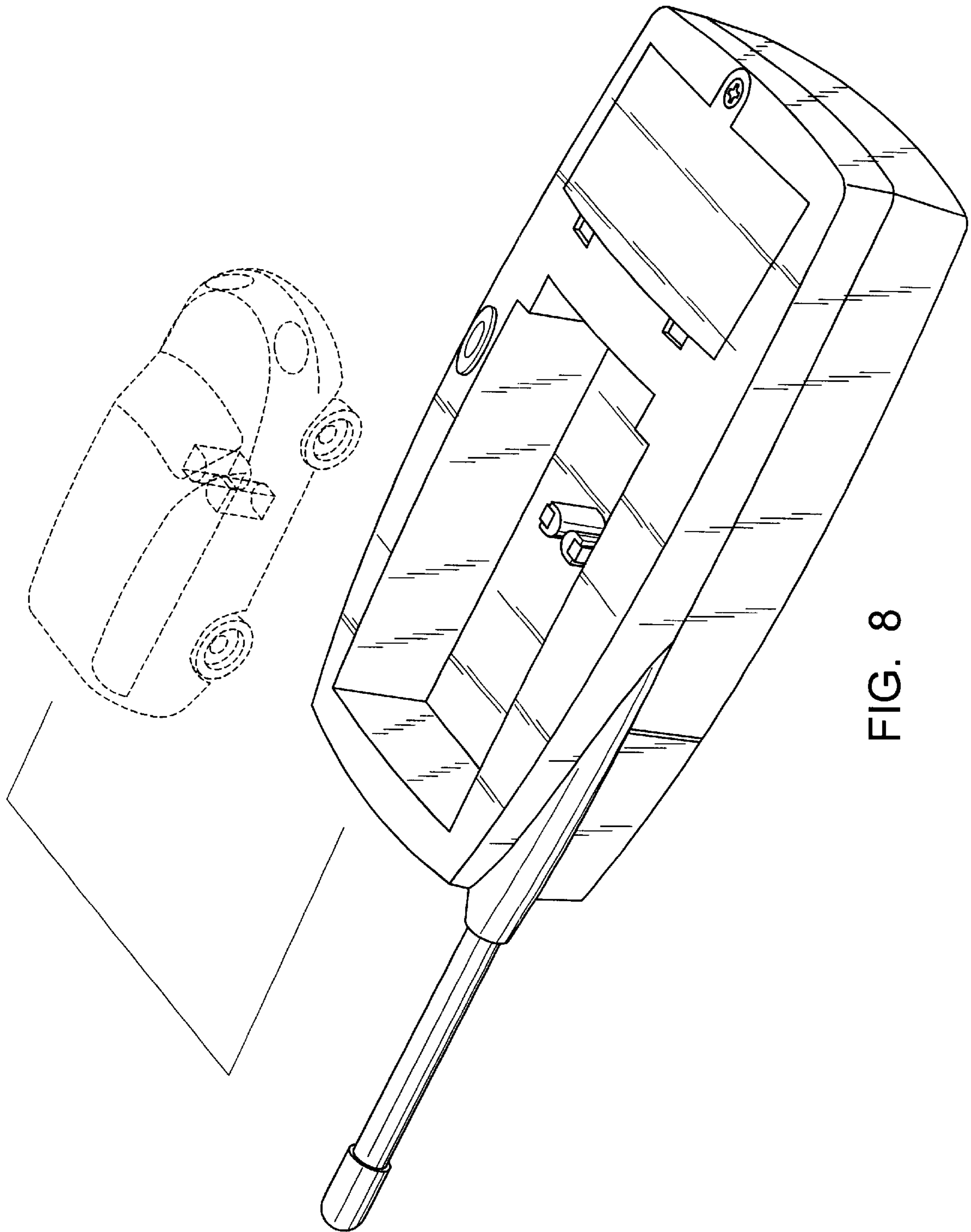


FIG. 8