



US00D468369S

(12) **United States Design Patent**
Chiappetta et al.

(10) **Patent No.:** **US D468,369 S**

(45) **Date of Patent:** **** Jan. 7, 2003**

(54) **CHILDREN'S RIDING TOY**

(75) Inventors: **Gary T. Chiappetta**, Hinsdale, IL
(US); **Bryan M. Fox**, Chicago, IL (US)

(73) Assignee: **Radio Flyer Inc.**, Chicago, IL (US)

(**) Term: **14 Years**

(21) Appl. No.: **29/155,992**

(22) Filed: **Feb. 21, 2002**

(51) **LOC (7) Cl.** **21-01**

(52) **U.S. Cl.** **D21/434**

(58) **Field of Search** D21/419-434,
D21/555, 552, 580; 446/470, 471, 440,
425-427, 432, 451; 280/87.01, 87.021

(56) **References Cited**

U.S. PATENT DOCUMENTS

4,595,380 A * 6/1986 Magers 446/451
D307,609 S * 5/1990 Harrod D21/434

5,154,658 A * 10/1992 Marcus 446/432

D367,297 S * 2/1996 Doucette D21/433

D445,845 S * 7/2001 Tse D21/555

D449,861 S * 10/2001 Chiappetta D21/433

* cited by examiner

Primary Examiner—Raphael Barkai

(74) *Attorney, Agent, or Firm*—Piper Rudnick

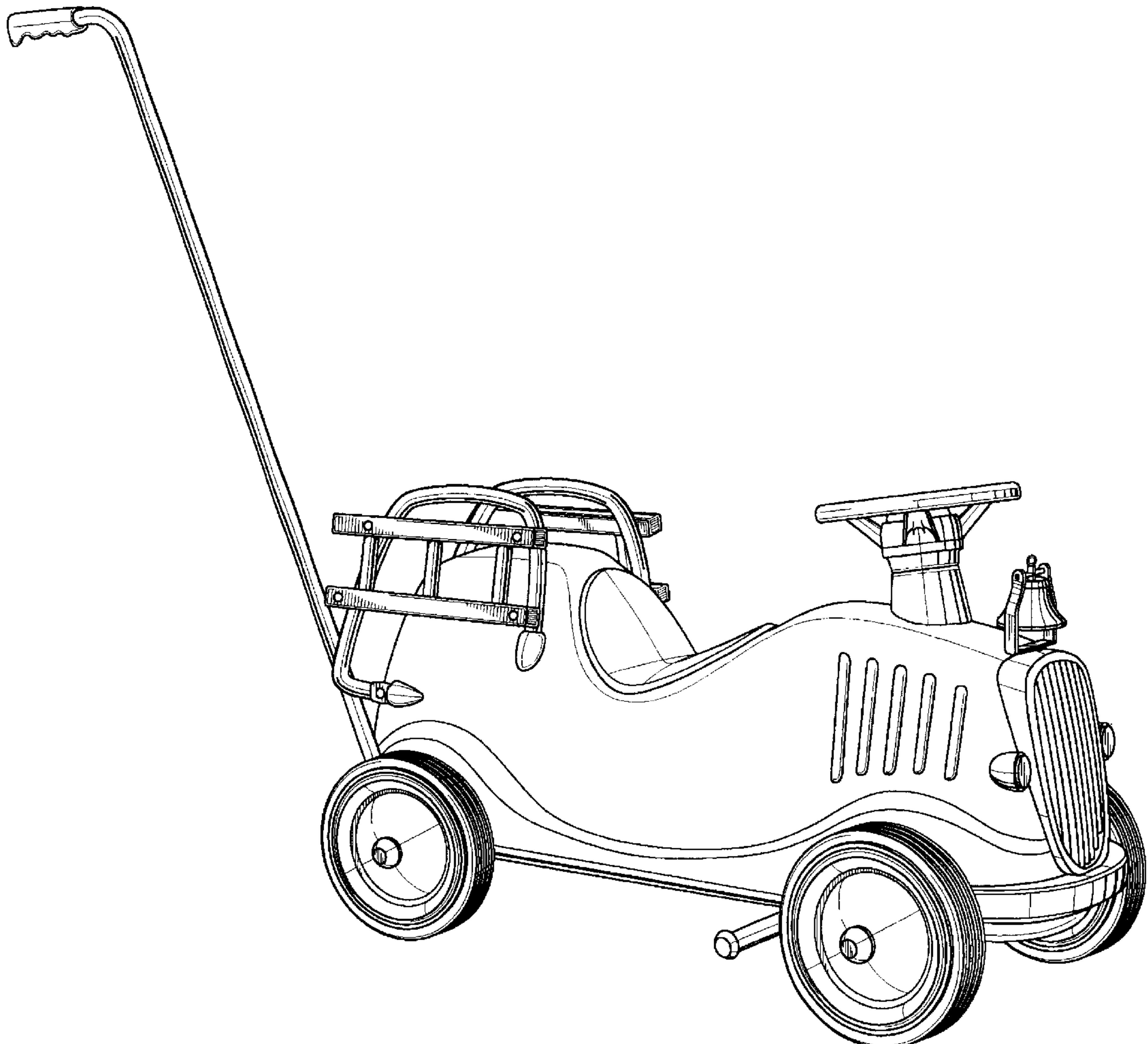
(57) **CLAIM**

The ornamental design for a children's riding toy, as shown.

DESCRIPTION

FIG. 1 is a perspective view of the design;
FIG. 2 is a front elevational view of the design;
FIG. 3 is a side elevational view of the design, the opposite
side of which is an identical mirror image;
FIG. 4 is a rear elevational view of the design;
FIG. 5 is a top plan view of the design; and,
FIG. 6 is a bottom plan view of the design.

1 Claim, 5 Drawing Sheets



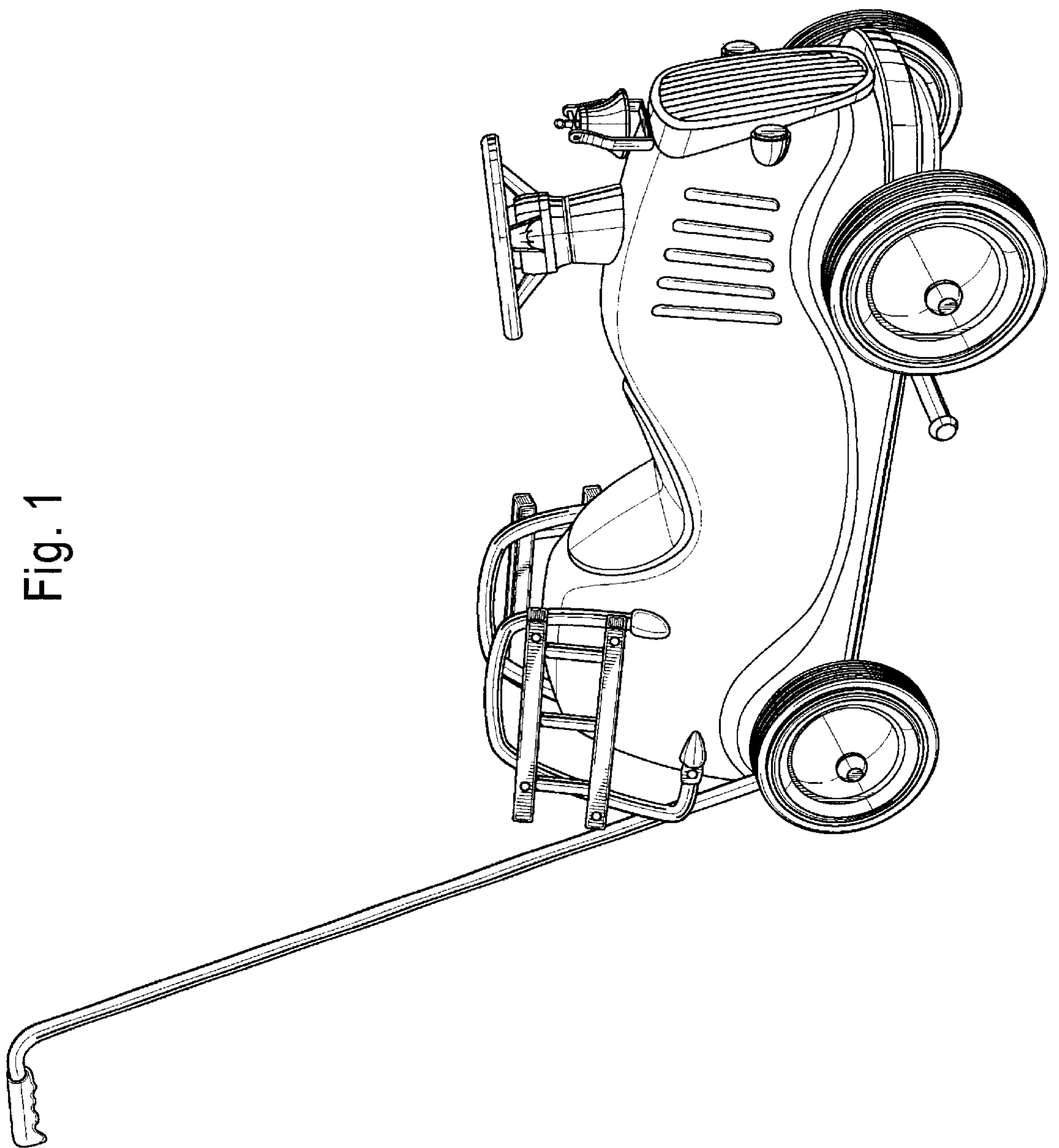
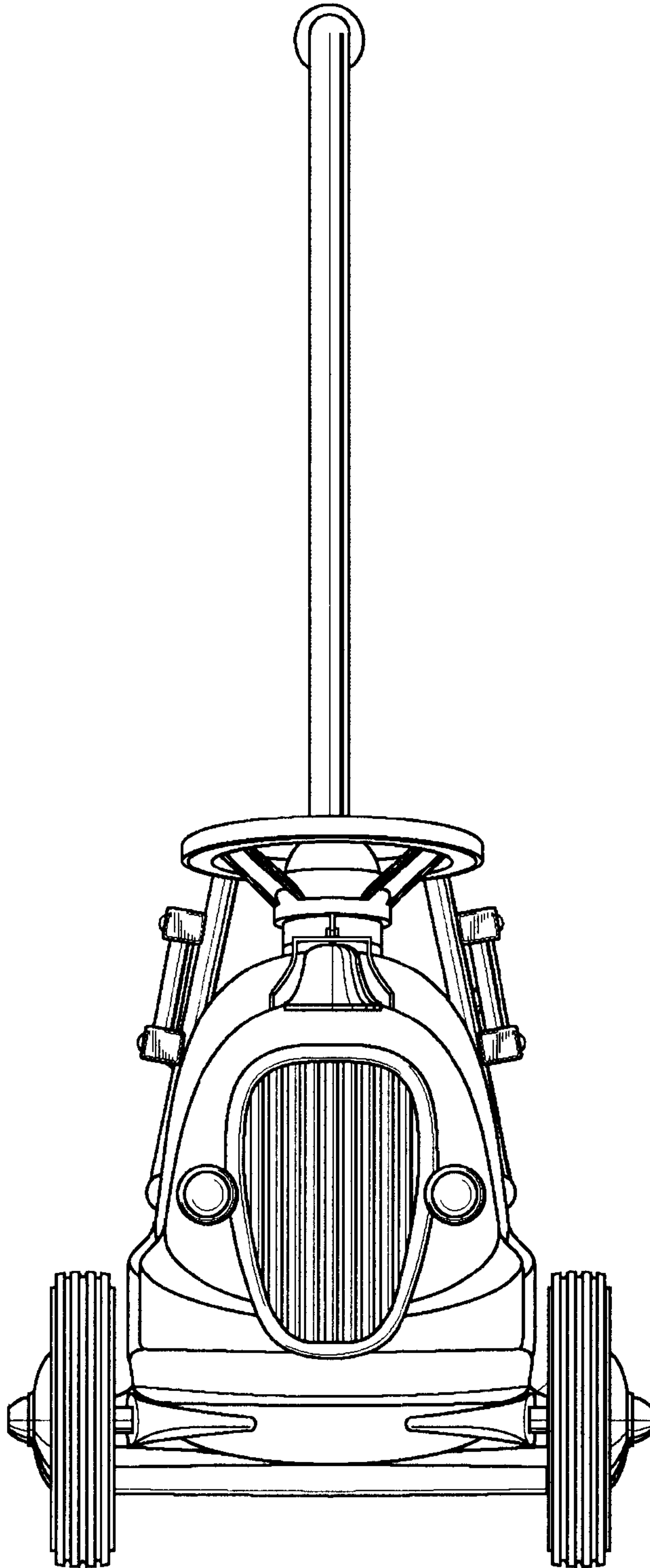


Fig. 1

Fig. 2



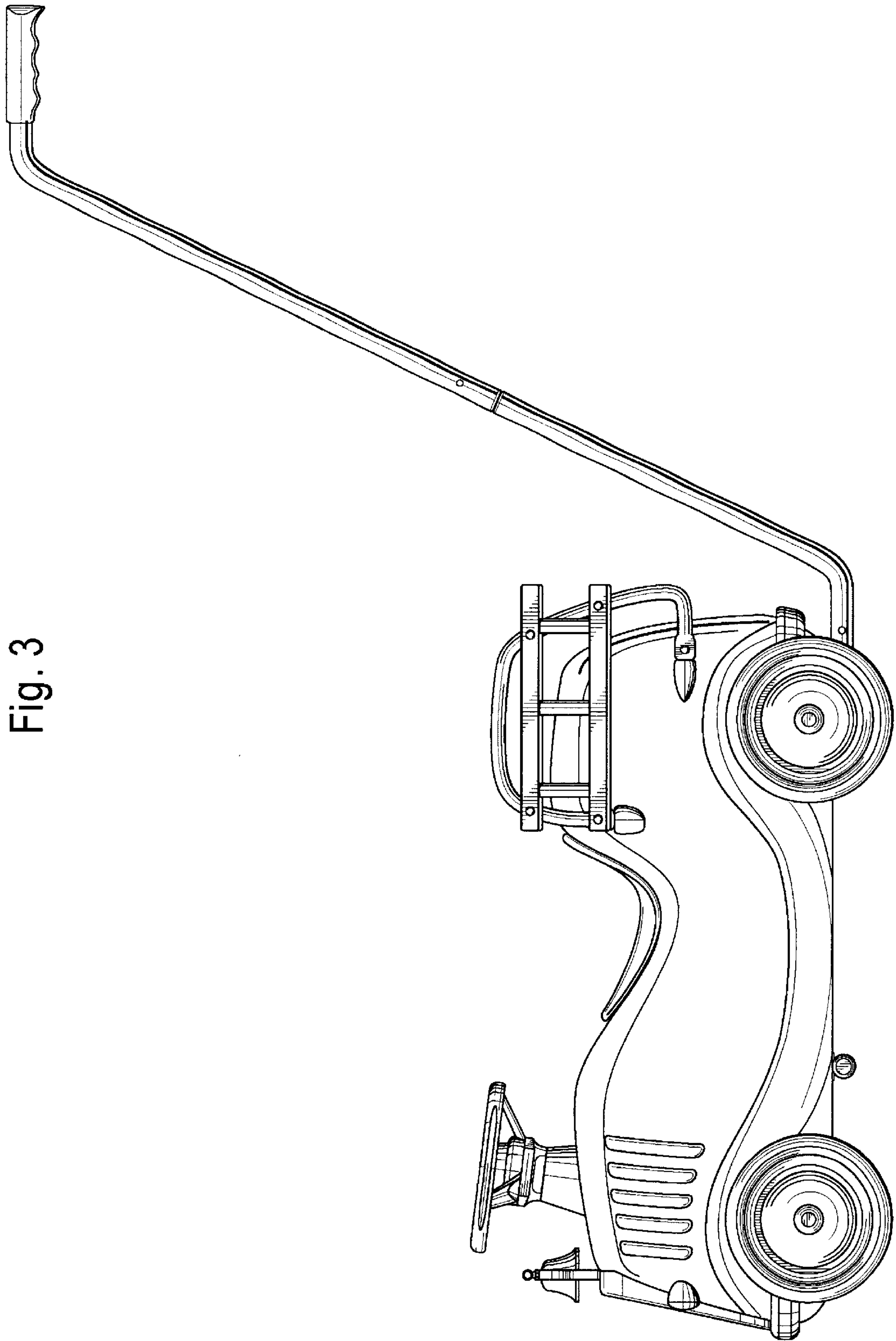


Fig. 3

Fig. 4

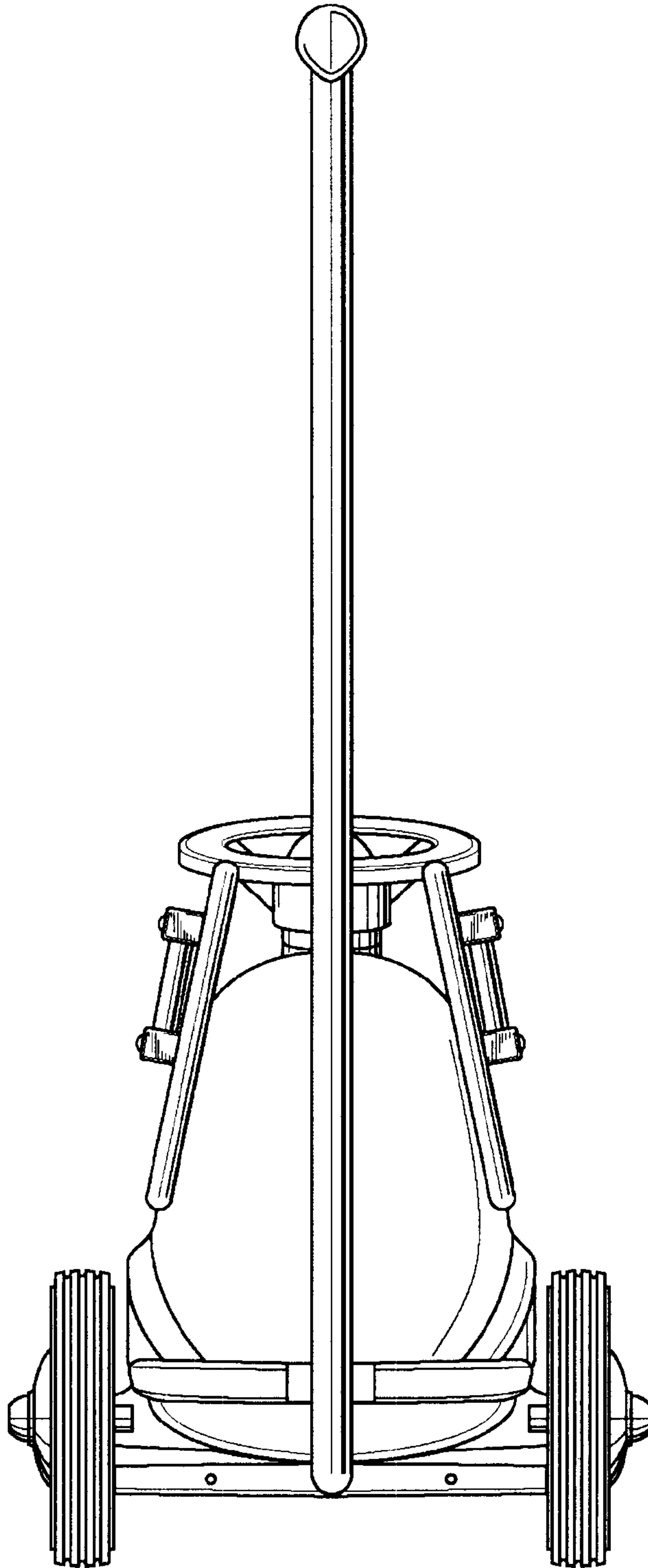


Fig. 5

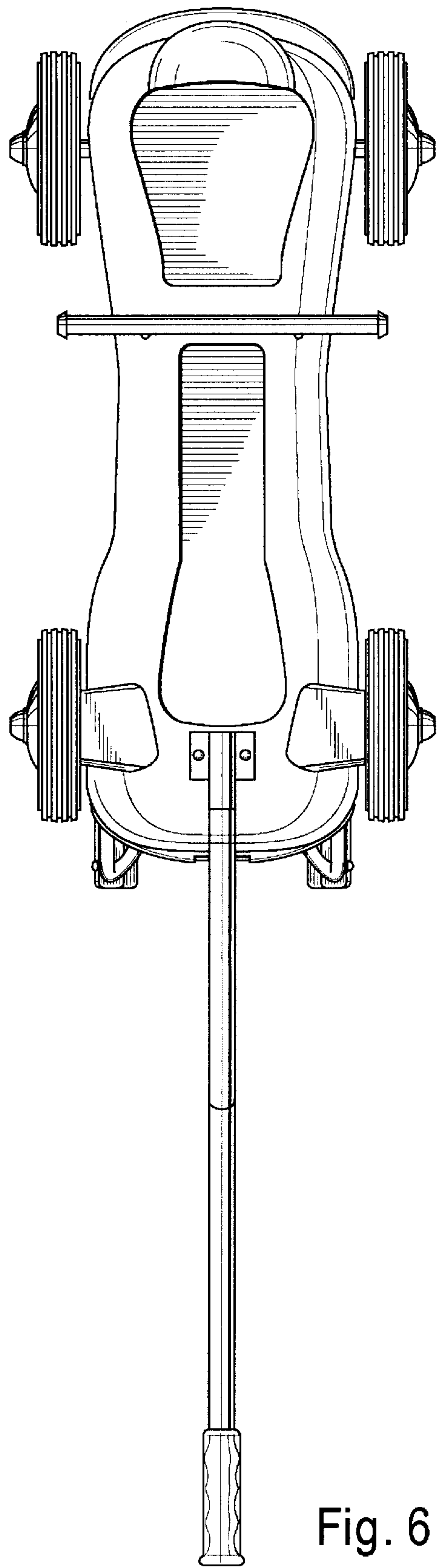
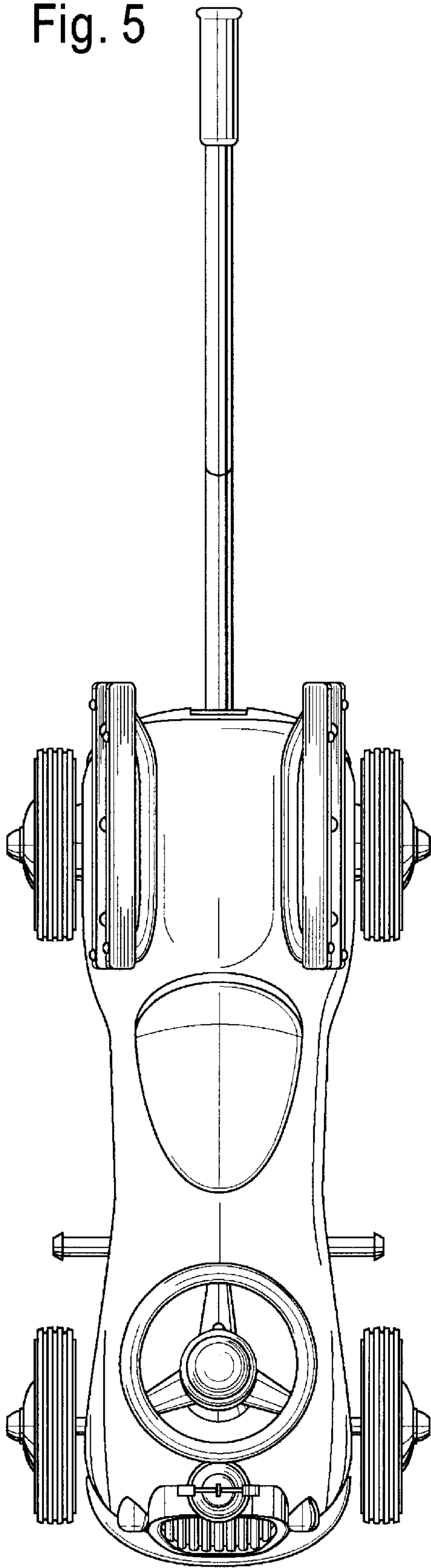


Fig. 6