



US00D468368S

(12) **United States Design Patent**  
**Jones**

(10) **Patent No.:** **US D468,368 S**

(45) **Date of Patent:** **\*\* Jan. 7, 2003**

(54) **GAME BASE**

(75) Inventor: **Richard F. Jones**, Rockford, IL (US)

(73) Assignee: **Arachnid, Inc.**, Rockford, IL (US)

(\*\*) Term: **14 Years**

(21) Appl. No.: **29/145,091**

(22) Filed: **Jul. 16, 2001**

(51) **LOC (7) Cl.** ..... **21-01**

(52) **U.S. Cl.** ..... **D21/397; D21/392; D21/385;**  
D6/495

(58) **Field of Search** ..... D6/495; D21/334-368,  
D21/385, 386, 392, 397; 273/236-285,  
148 R, 307

(56) **References Cited**

**U.S. PATENT DOCUMENTS**

D93,275 S	*	9/1934	Karpe	.....	D21/397
D165,799 S	*	1/1952	Stedman	.....	D21/392
D241,699 S	*	10/1976	Barecki	.....	D6/495
D249,726 S	*	9/1978	Cosman	.....	D21/386
5,632,483 A	*	5/1997	Garczynski et al.	....	273/148 R
D431,740 S	*	10/2000	Lovell	.....	D6/495

\* cited by examiner

*Primary Examiner*—Sandra L. Morris

(74) *Attorney, Agent, or Firm*—McAndrews, Held & Malloy, Ltd.

(57) **CLAIM**

The ornamental design for the game base design, as shown and described.

**DESCRIPTION**

FIG. 1 is a perspective view of the game base according to the invention;

FIG. 2 is a front elevation view of the game base according to the invention;

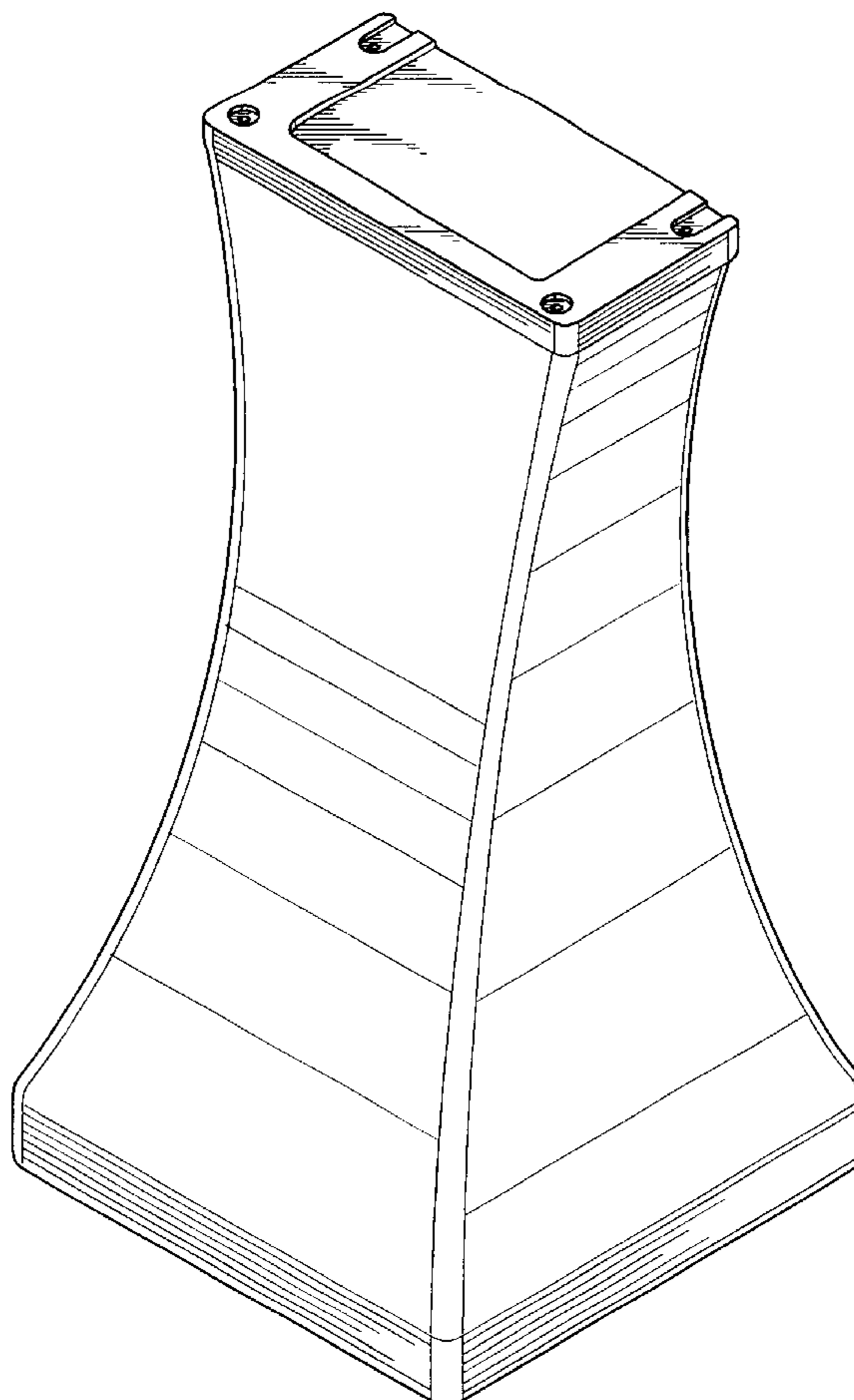
FIG. 3 is a left side elevation view of the game base of the invention, the right side elevation view being a mirror image thereof;

FIG. 4 is a rear elevation view of the game base according to the invention;

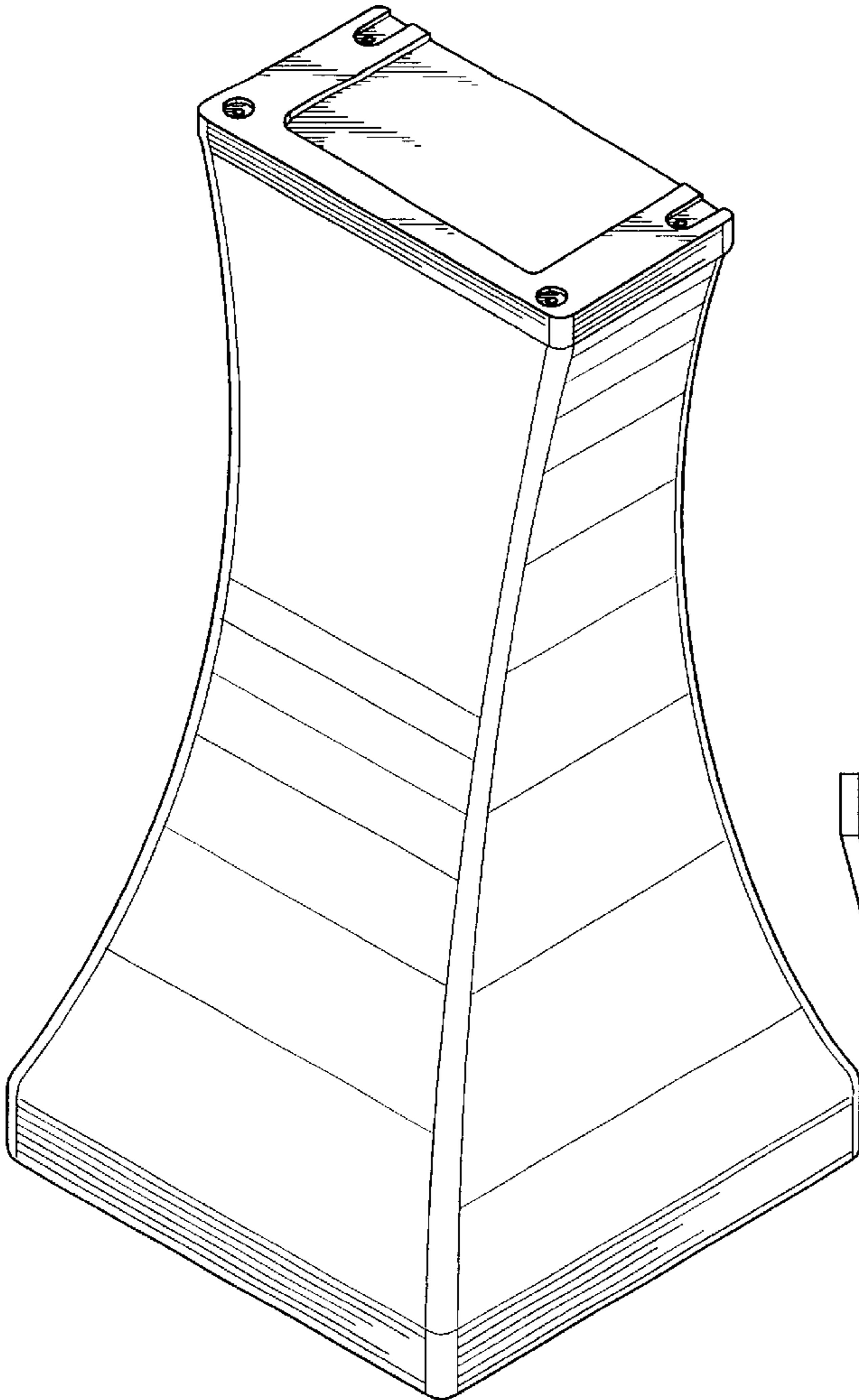
FIG. 5 is a top view of the game base according to the invention; and,

FIG. 6 is a bottom view of the game base according to the invention.

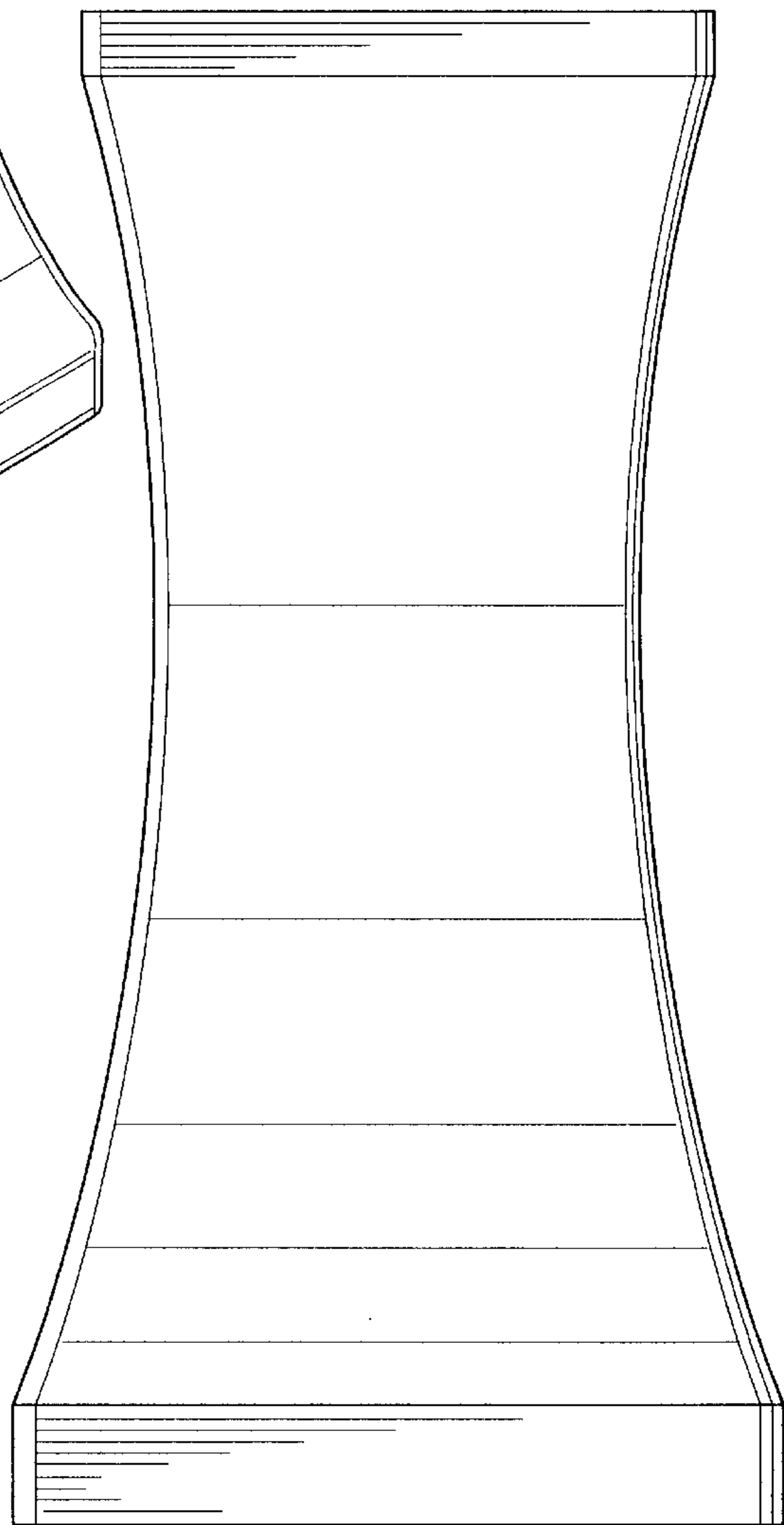
**1 Claim, 3 Drawing Sheets**



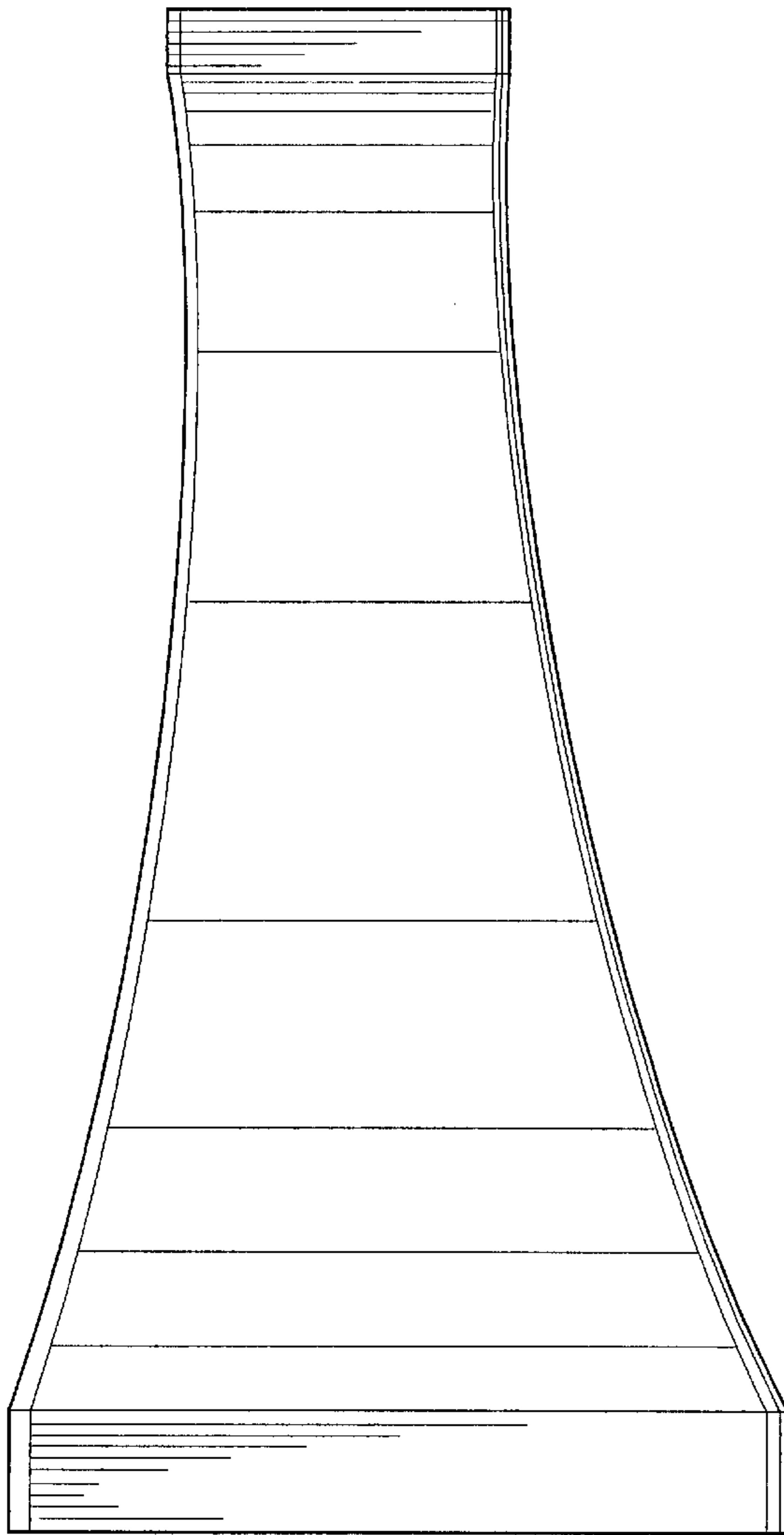
**Fig. 1**



**Fig. 2**



**Fig. 3**



**Fig. 4**

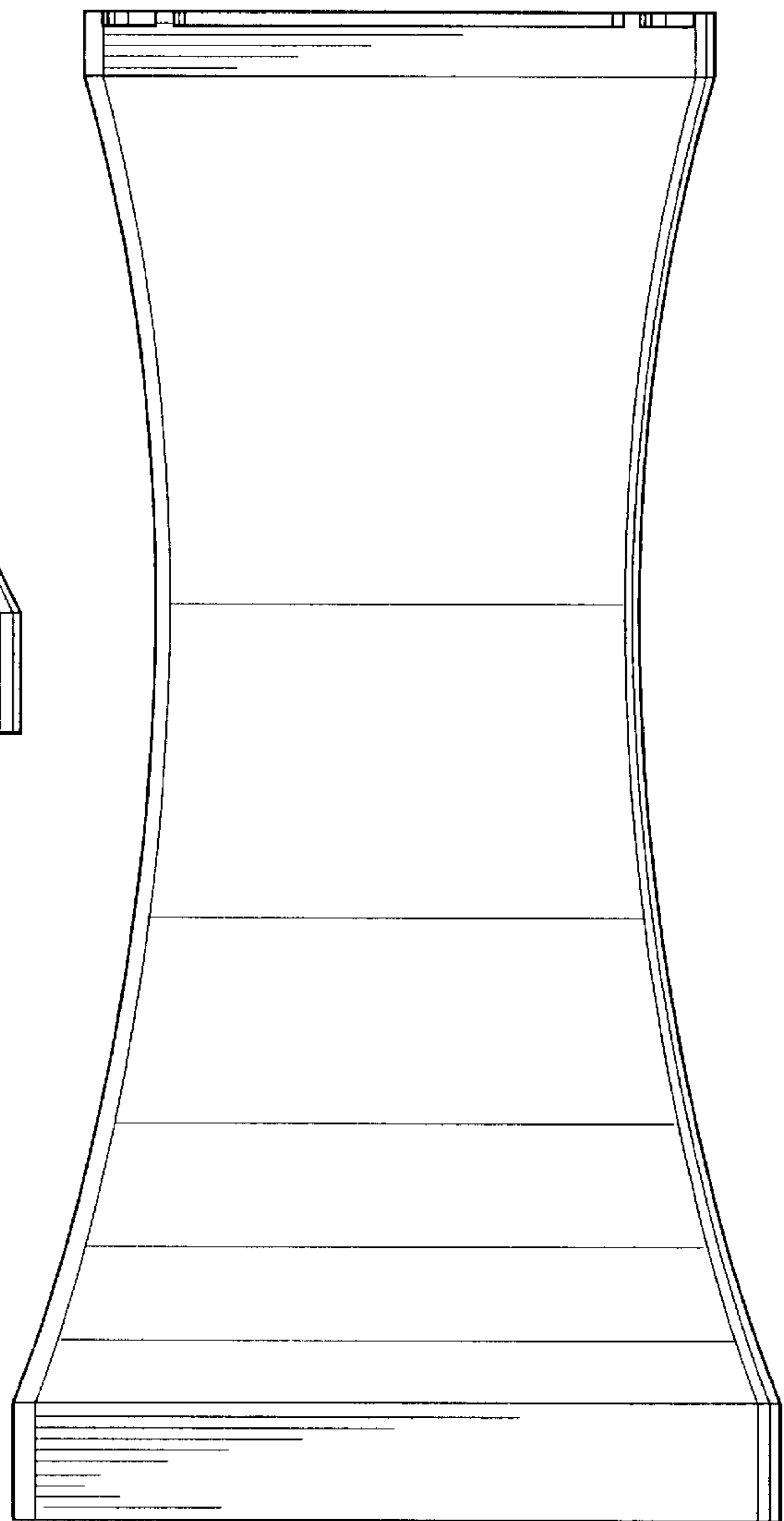


Fig. 5

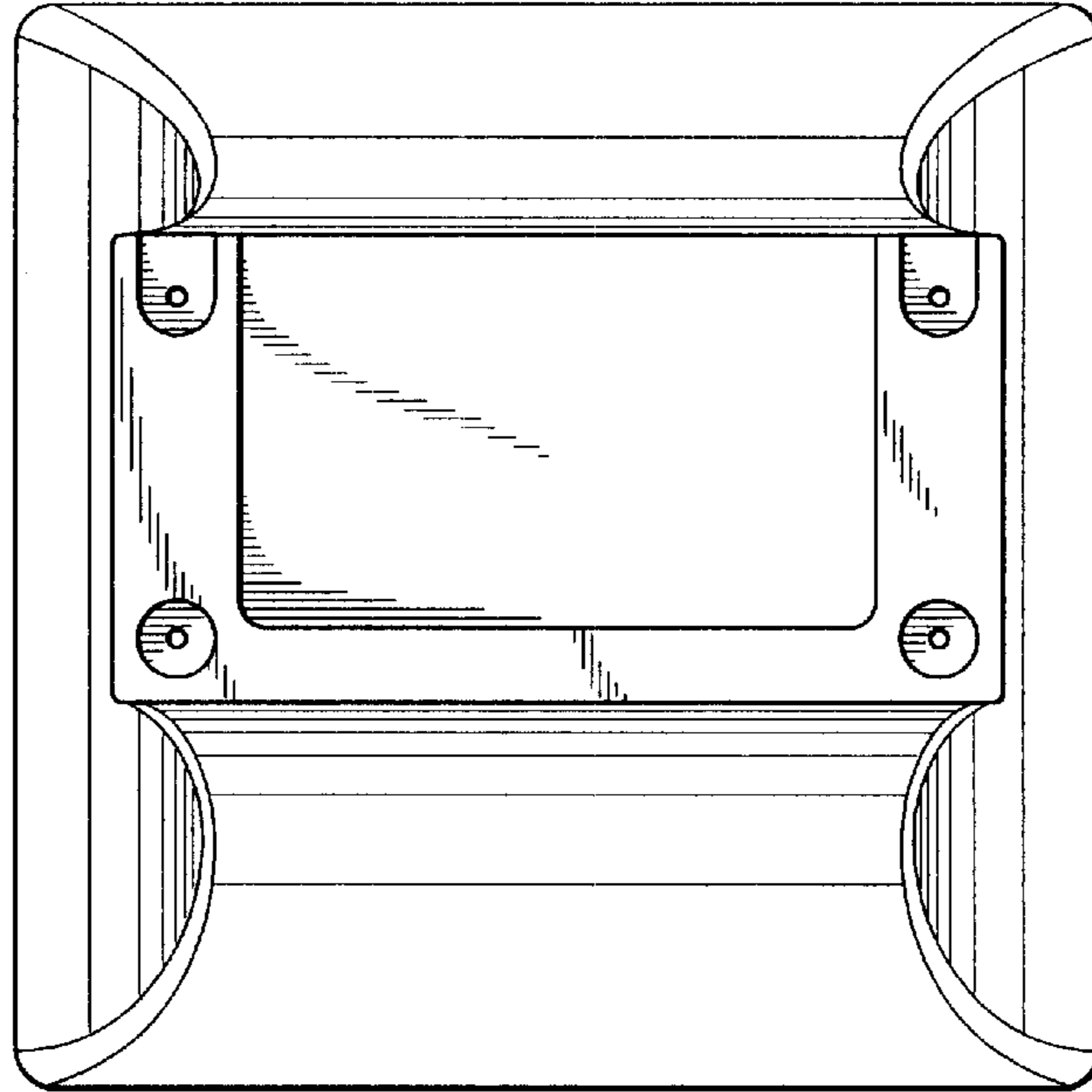


Fig. 6

