



US00D468366S

(12) **United States Design Patent**
Blake, Jr.

(10) **Patent No.:** **US D468,366 S**

(45) **Date of Patent:** **** Jan. 7, 2003**

(54) **VIDEO GAME MANAGEMENT SYSTEM WITH SURGE PROTECTION**

6,409,601 B2 * 6/2002 Ogat et al. 273/148 B

OTHER PUBLICATIONS

(75) **Inventor:** **Arthur Joseph Blake, Jr.**, Leominster, MA (US)

U.S. patent application Ser. No. 10/044,157, Arthur J. Blake, Jr. filed Jan. 9, 2002.

(73) **Assignee:** **American Power Conversion Corporation**, West Kingston, RI (US)

* cited by examiner

(**) **Term:** **14 Years**

Primary Examiner—Prabhakar Deshmukh
(74) *Attorney, Agent, or Firm*—Mintz, Levin, Cohn, Ferris, Glovsky and Popeo, P.C.

(21) **Appl. No.:** **29/153,774**

(57) **CLAIM**

(22) **Filed:** **Jan. 9, 2002**

The ornamental design for a video game management system with surge protection, as shown and described.

(51) **LOC (7) Cl.** **21-01**

DESCRIPTION

(52) **U.S. Cl.** **D21/333; D14/496**

(58) **Field of Search** D21/333, 324, D21/385, 328; D14/412–416, 400, 401, 432, 496; 273/148 B; 463/1, 29–35, 46, 47, 43; D13/110, 133, 184

FIG. 1 is a front perspective view showing our new design; FIG. 2 is a rear perspective view thereof; FIG. 3 is a front view thereof; FIG. 4 is a rear view thereof; FIG. 5 is a side view thereof; FIG. 6 is a side view thereof; FIG. 7 is a top view; and, FIG. 8 is a bottom view.

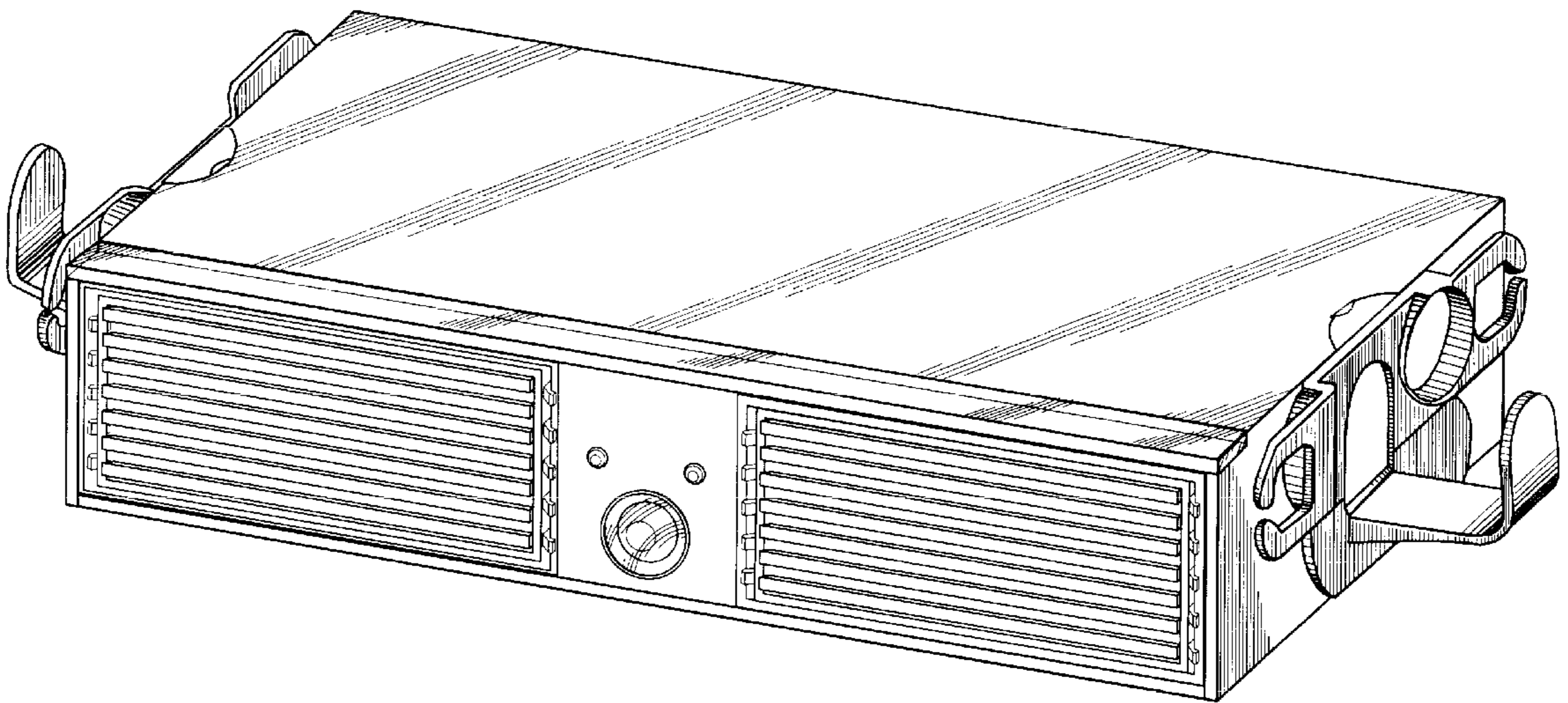
(56) **References Cited**

U.S. PATENT DOCUMENTS

- D349,526 S * 8/1994 Nakanishi D21/333
- D441,403 S * 5/2001 Muraki et al. D21/333
- 6,254,477 B1 * 7/2001 Sasaki et al. 463/47
- 6,312,338 B1 * 11/2001 Sato et al. 463/46
- 6,347,796 B1 * 2/2002 Grossman et al. 273/148 B
- 6,354,941 B2 * 3/2002 Miller et al. 463/42

The portions of the video game management system with surge protection shown in broken lines are for illustrative purposes only and form no part of the claimed design.

1 Claim, 7 Drawing Sheets



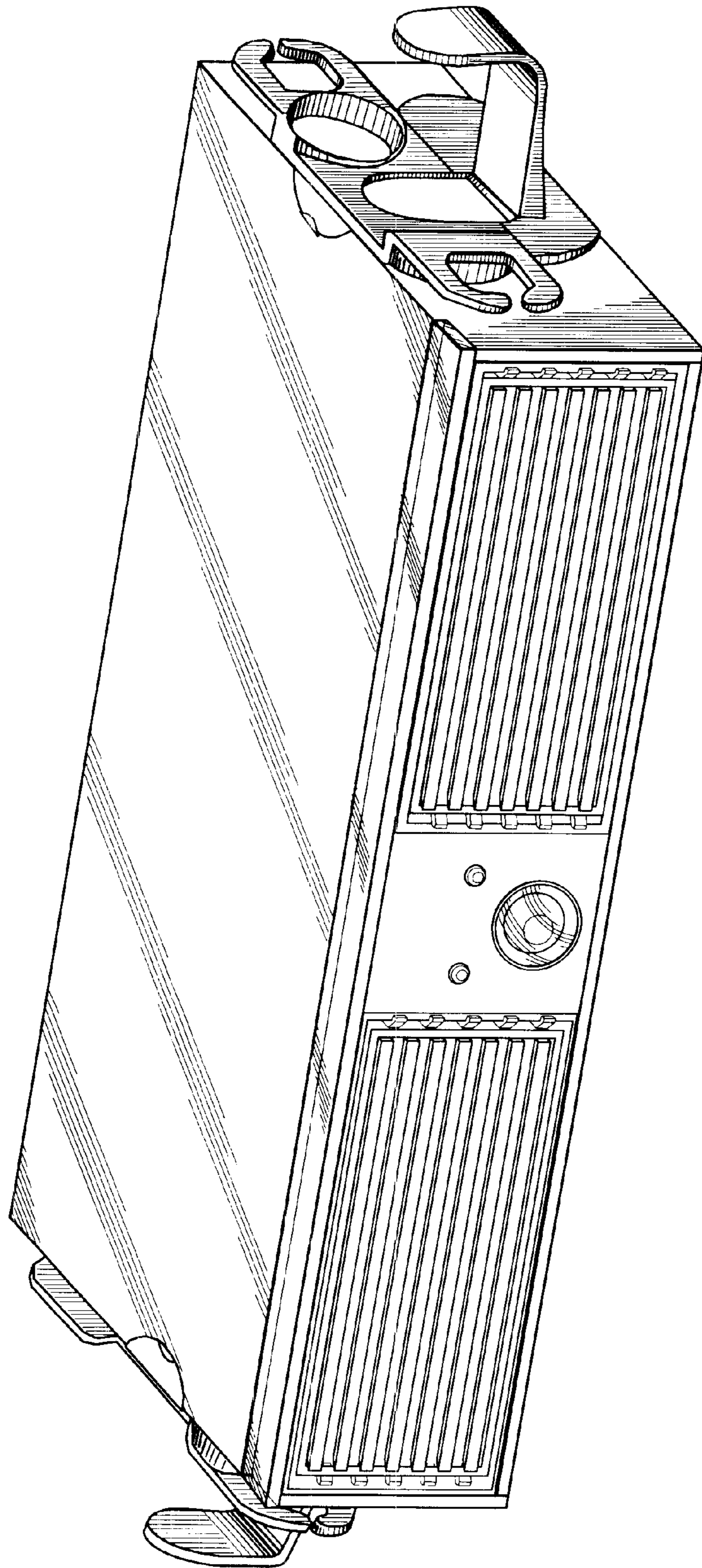


Fig. 1

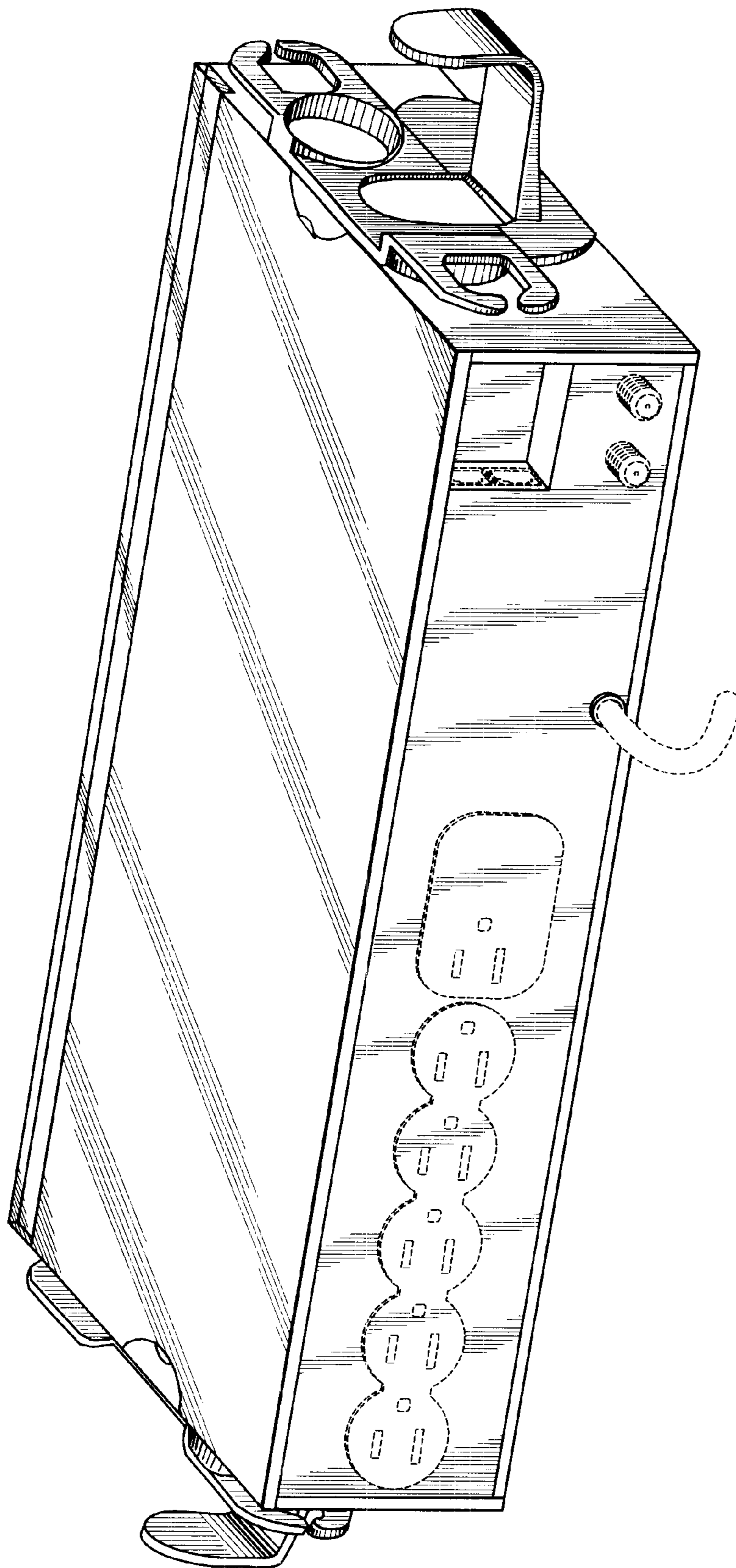


Fig. 2

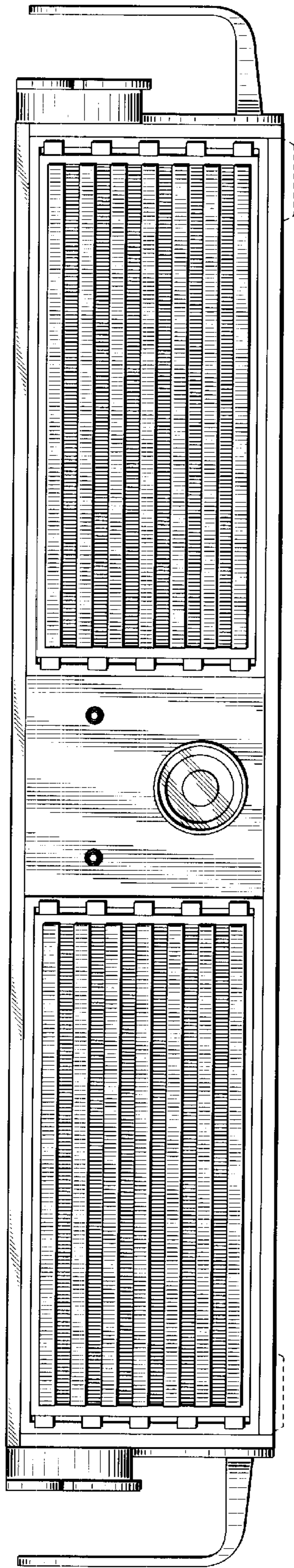


Fig. 3

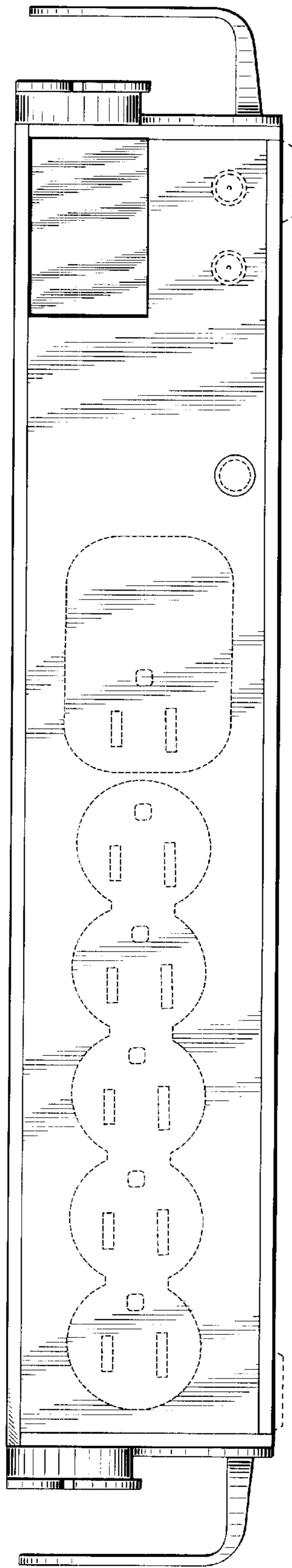


Fig. 4

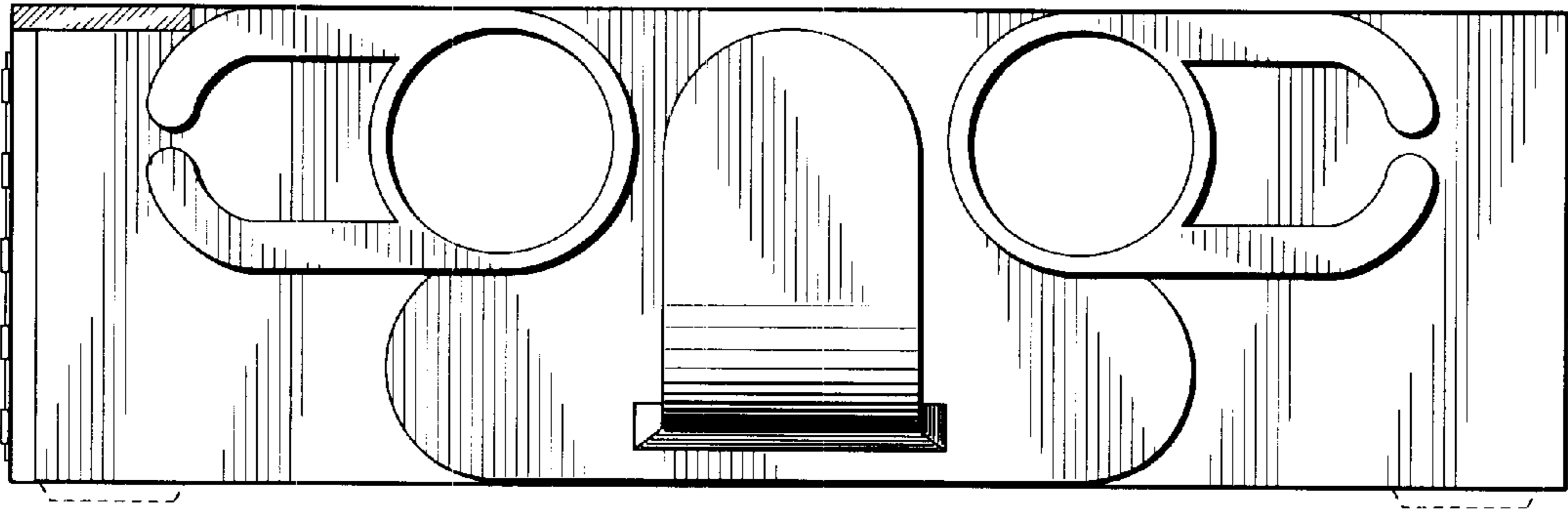


Fig. 5

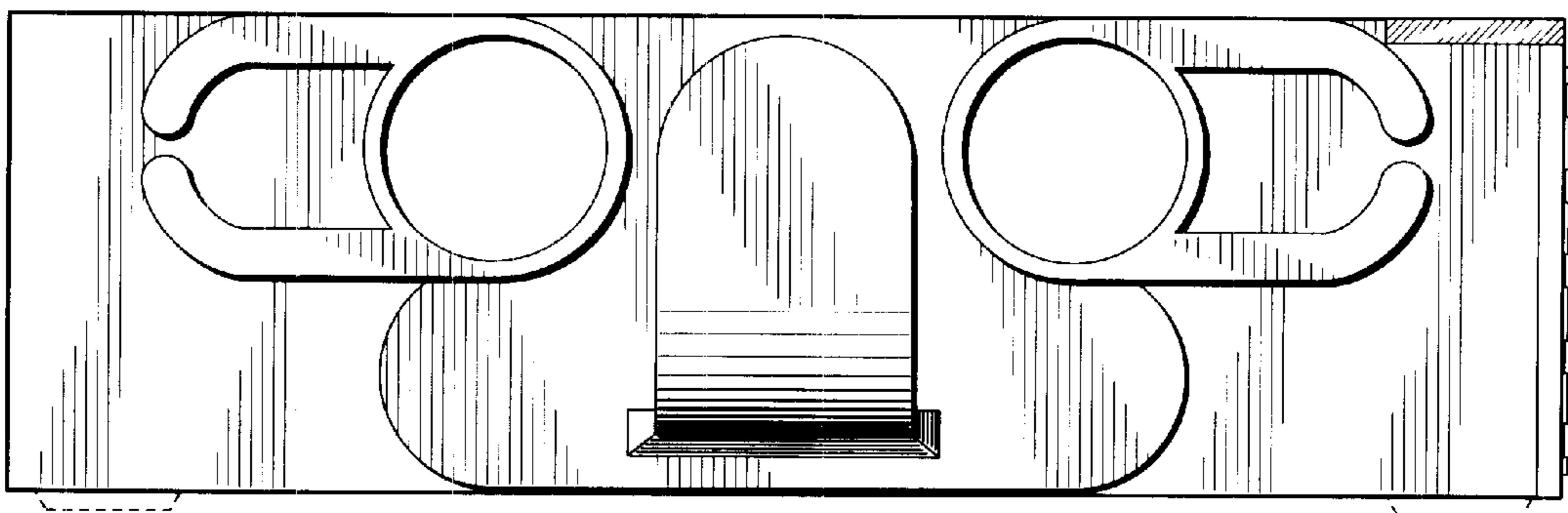


Fig. 6

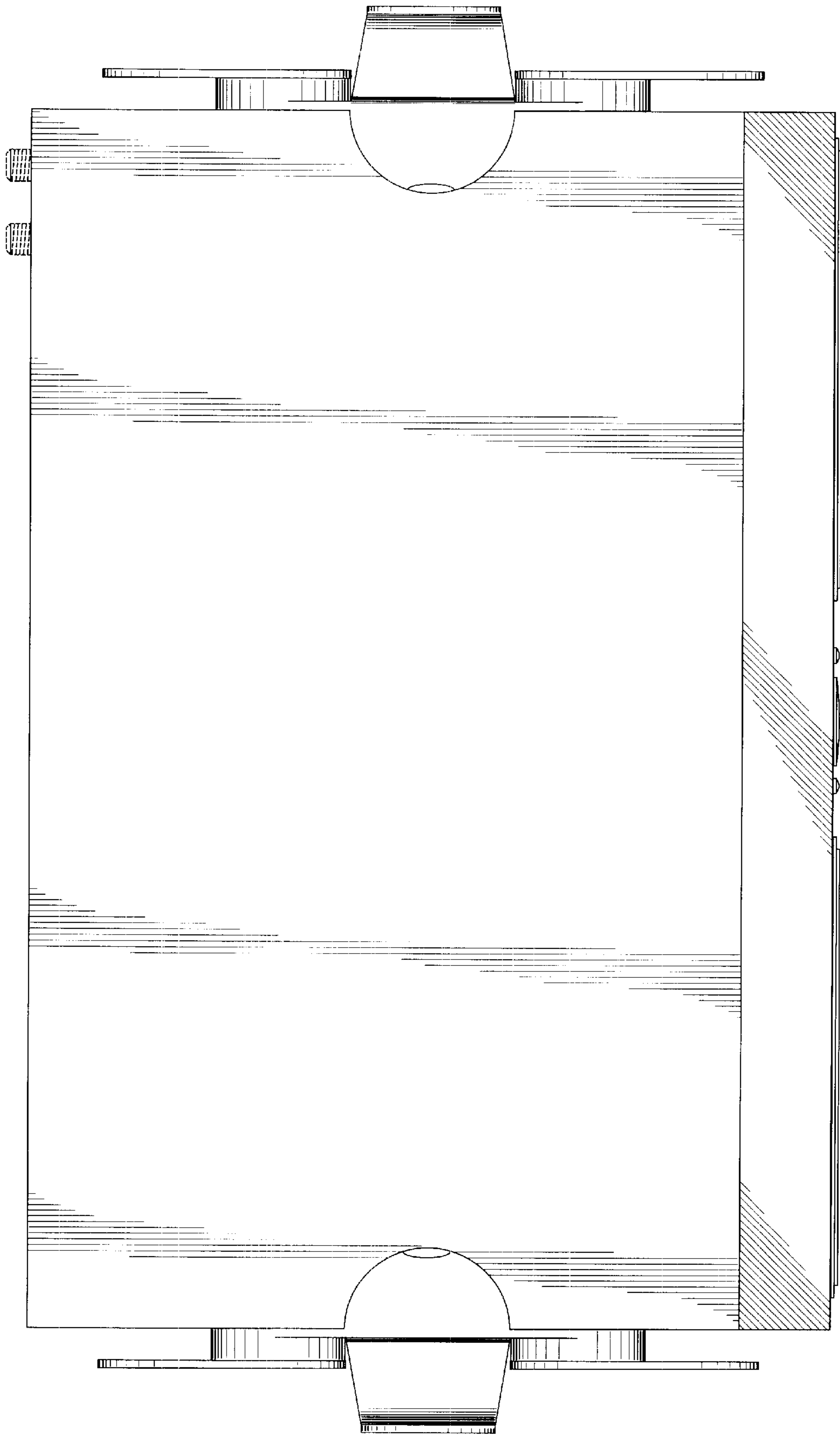


Fig. 7

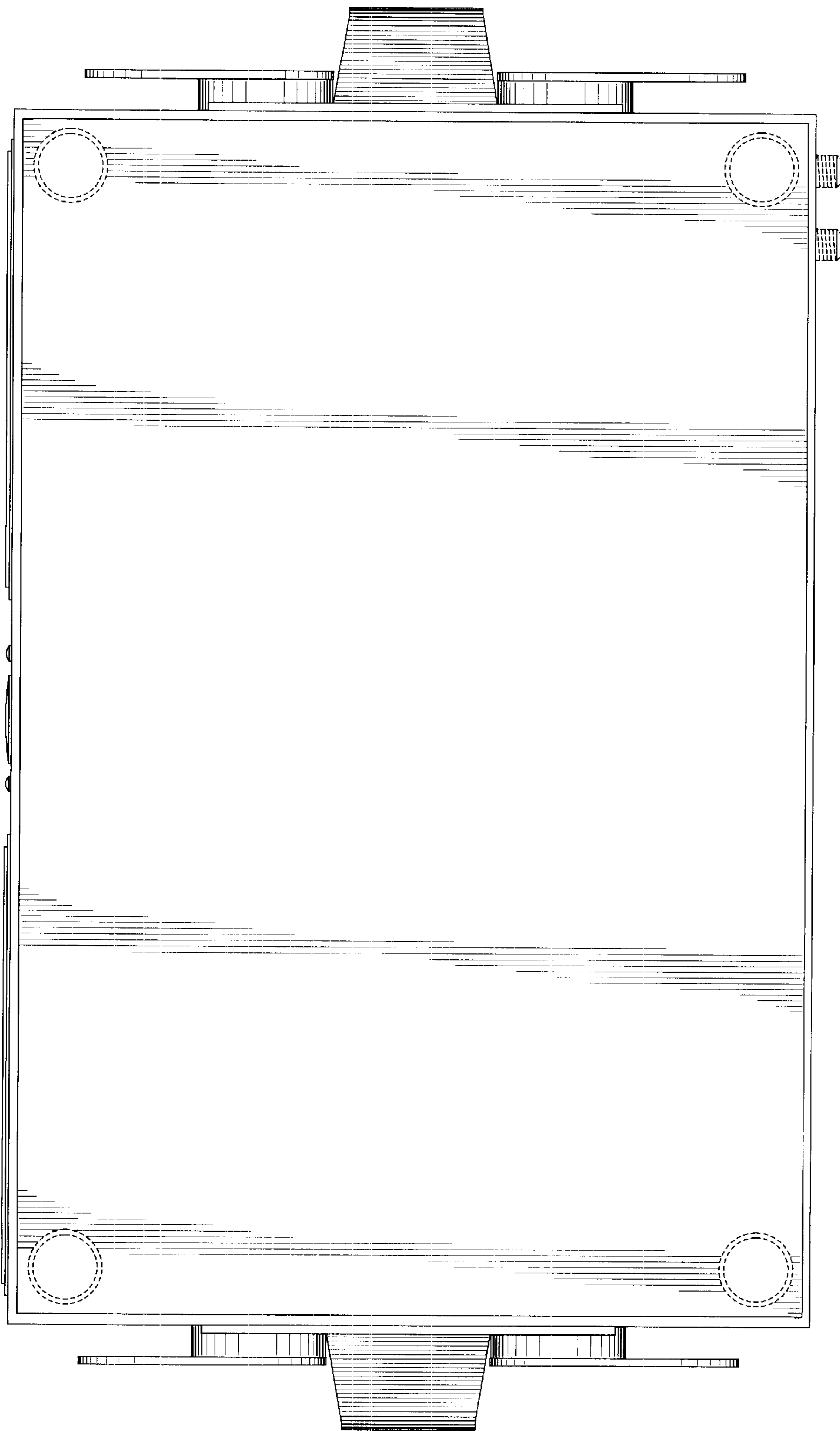


Fig. 8