

US00D468364S

(12) **United States Design Patent** (10) **Patent No.:** **US D468,364 S**
Beadell et al. (45) **Date of Patent:** **** Jan. 7, 2003**

(54) **GAMING MACHINE WITH CURVED FEATURES**

(75) Inventors: **John Leigh Beadell**, Reno, NV (US);
Jean Pierre Legras, Reno, NV (US);
Joseph R. Hedrick, Reno, NV (US)

(73) Assignee: **International Game Technology**, Reno, NV (US)

(**) Term: **14 Years**

(21) Appl. No.: **29/150,551**

(22) Filed: **Nov. 14, 2001**

(51) **LOC (7) Cl.** **21-01**

(52) **U.S. Cl.** **D21/325**

(58) **Field of Search** D21/324-333,
D21/344, 350, 385, 369; 463/1, 9, 14, 15,
30-35, 46-50; 273/148 B, 237, 239, 259,
283; 446/417; 472/62

(56) **References Cited**

U.S. PATENT DOCUMENTS

4,850,591 A * 7/1989 Takezawa et al. 463/3
D333,164 S * 2/1993 Kraft et al. D21/325

D358,616 S * 5/1995 Chung-Po D21/325
5,413,357 A * 5/1995 Schulze et al. 463/46
5,456,468 A * 10/1995 Stringfellow et al. 463/46
5,611,731 A * 3/1997 Bouton et al. 273/148 B
D388,469 S * 12/1997 Dickenson et al. D21/325
D435,068 S * 12/2000 Muraki et al. D21/325
D435,271 S * 12/2000 Muraki et al. D21/325

* cited by examiner

Primary Examiner—Prabhakar Deshmukh

(74) *Attorney, Agent, or Firm*—George H. Gerstman;
Seyfarth Shaw

(57) **CLAIM**

The ornamental design for a gaming machine with curved features, as shown and described.

DESCRIPTION

FIG. 1 is a perspective view of a gaming machine incorporating our new design;
FIG. 2 is a front view thereof;
FIG. 3 is a top plan view thereof;
FIG. 4 is a right side view thereof; and,
FIG. 5 is a left side view thereof.

1 Claim, 5 Drawing Sheets

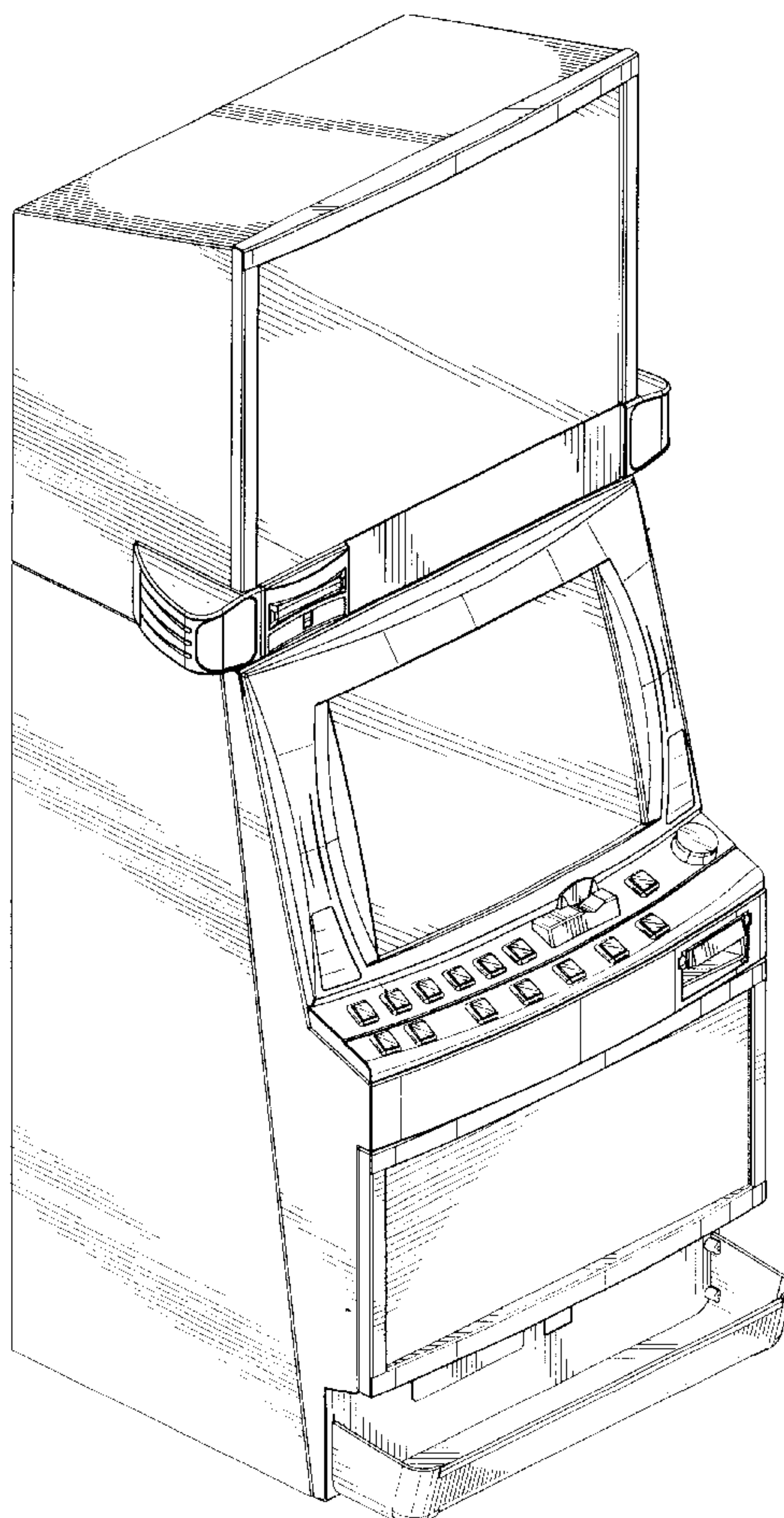


Fig. 1

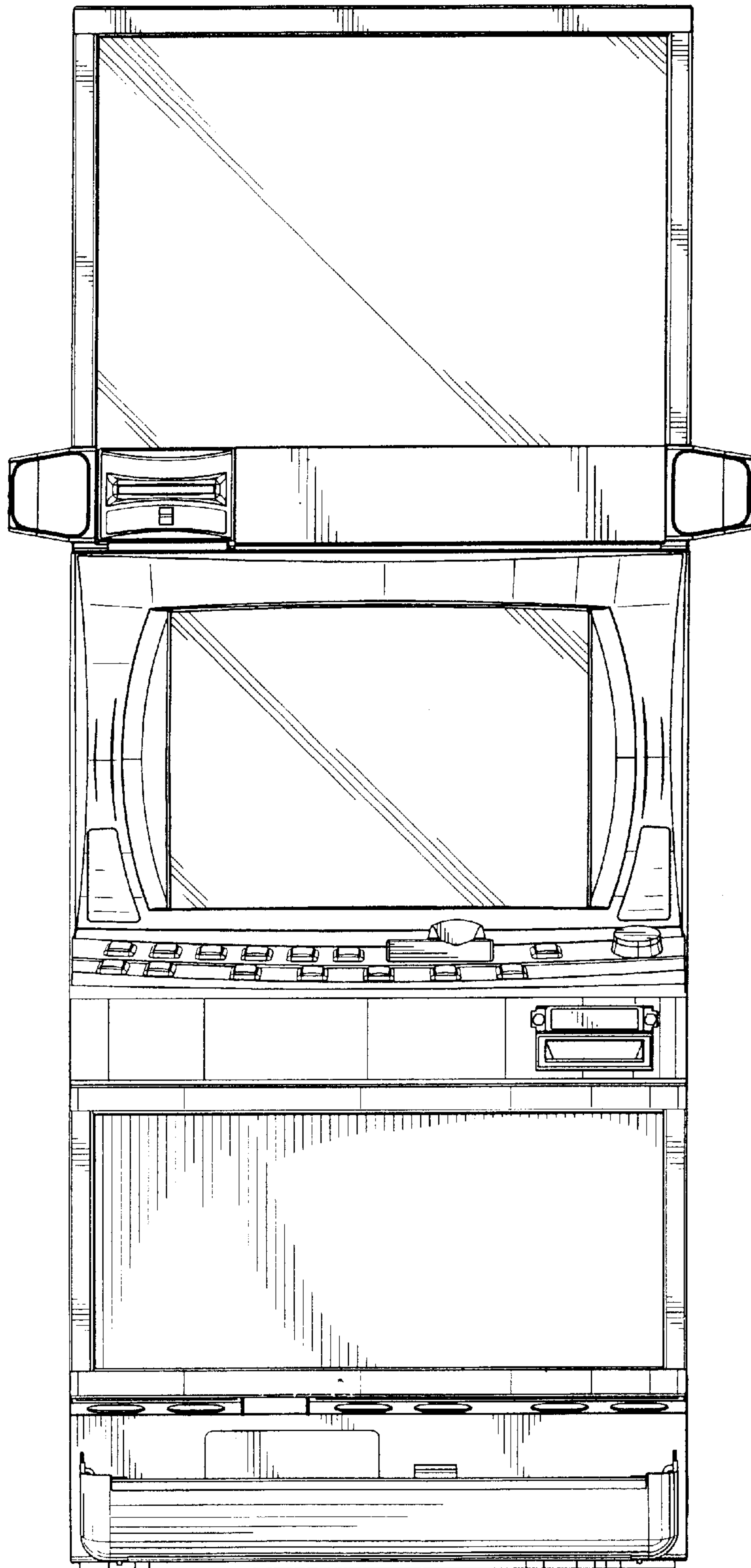


Fig. 2

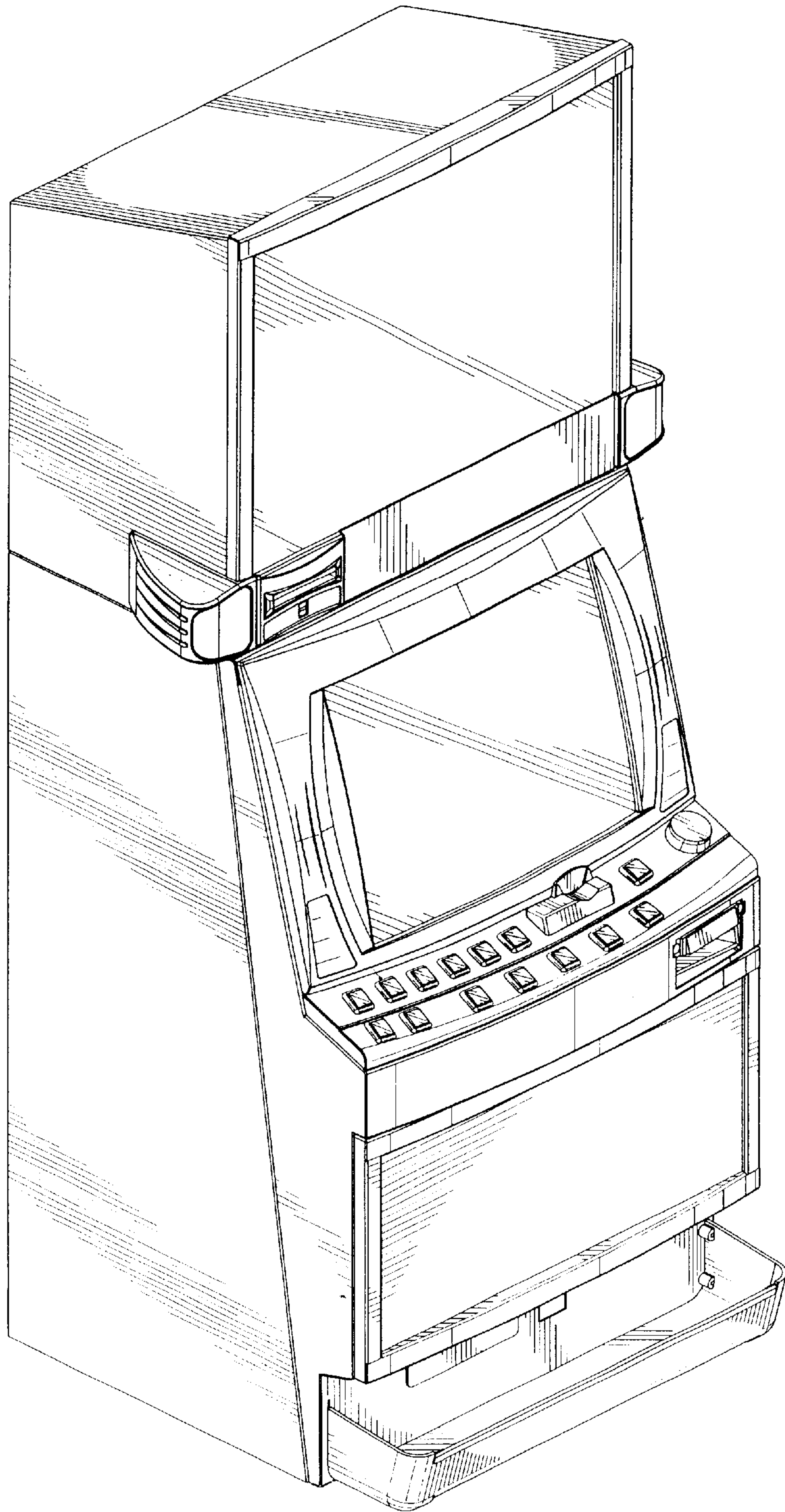


Fig. 3

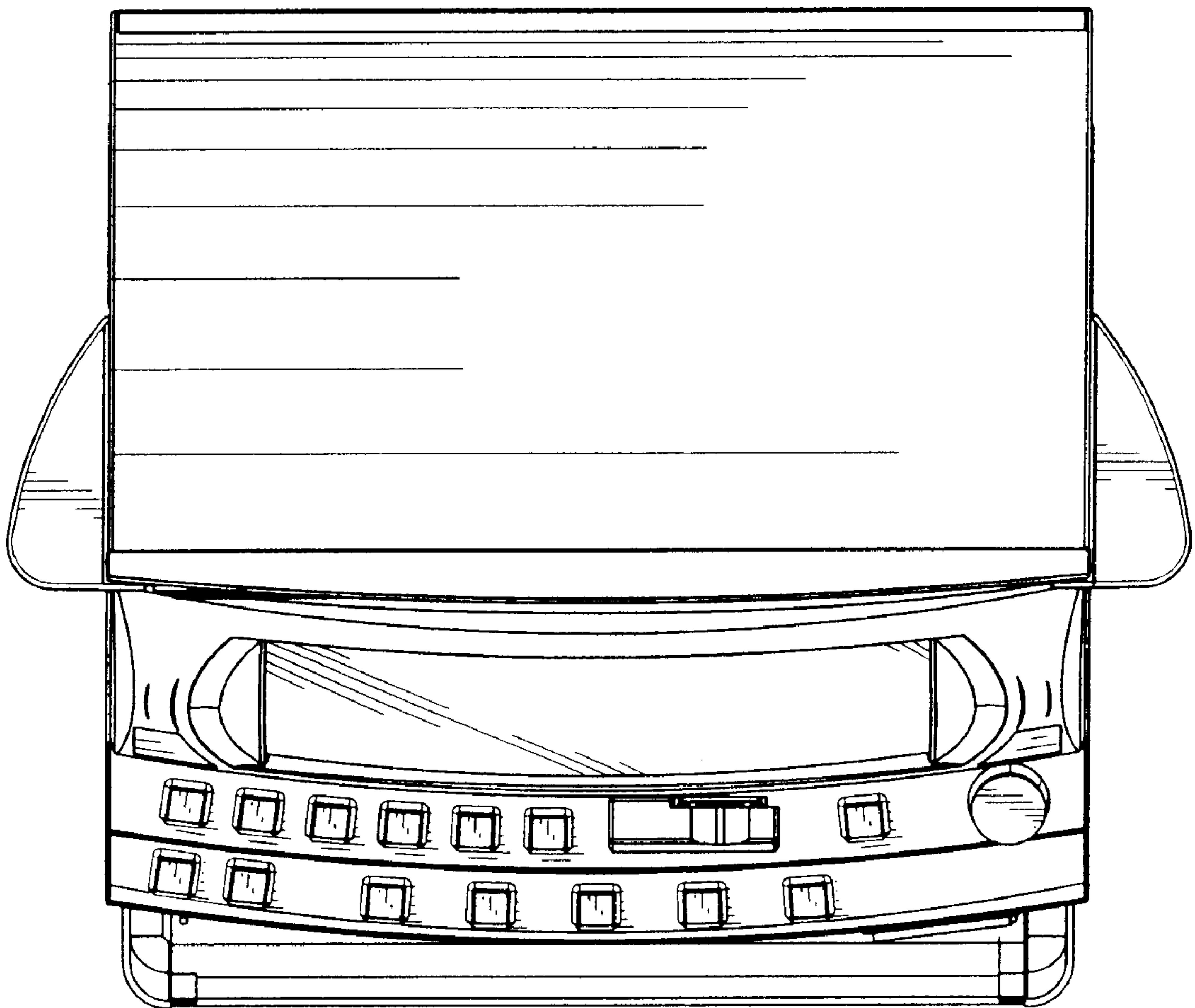


Fig. 4

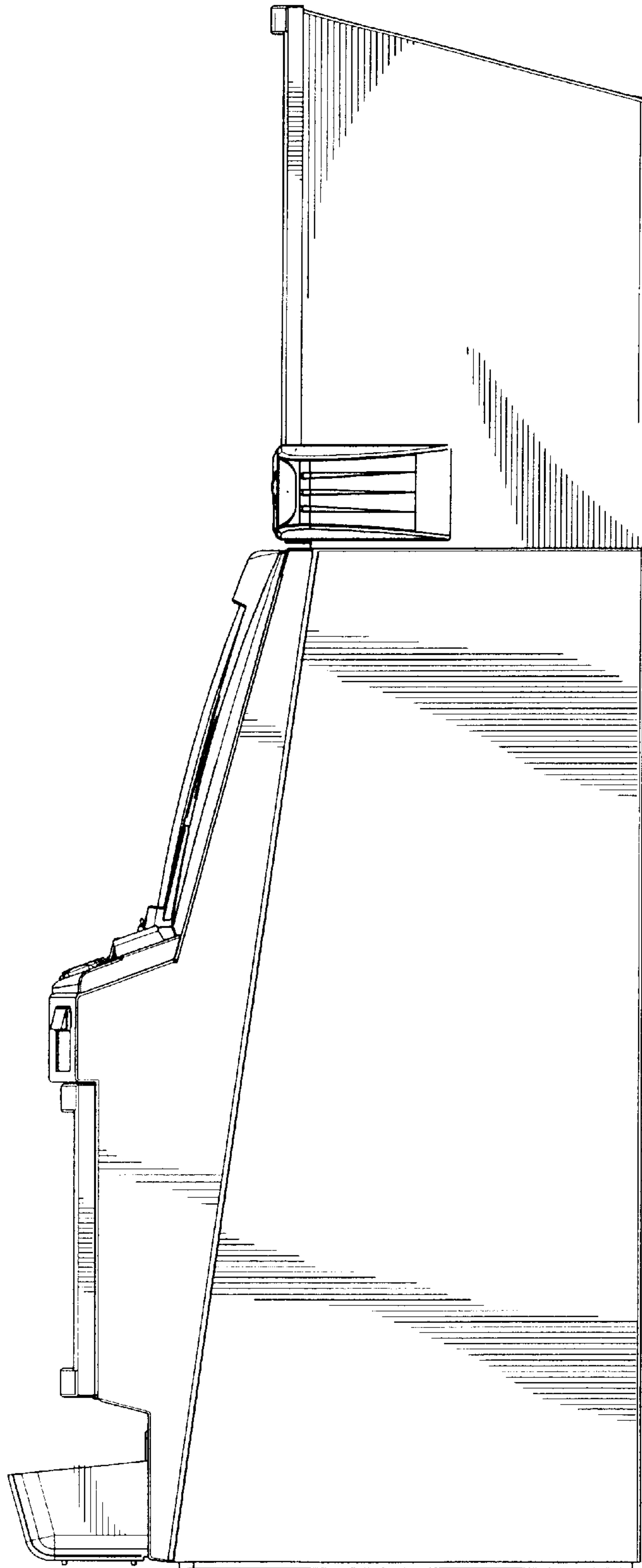


Fig. 5

