



US00D468360S

(12) **United States Design Patent**
Chen

(10) **Patent No.:** **US D468,360 S**

(45) **Date of Patent:** **** Jan. 7, 2003**

(54) **THREE HOLE PUNCH WITH COLORED DESIGNER RUBBER INSERT AND GRIP**

(76) **Inventor:** **Peter Chen**, 7 Leparc Dr.,
Lawrenceville, NJ (US) 08648

(**) **Term:** **14 Years**

D350,564 S	9/1994	Goodin	D19/72
5,632,188 A	5/1997	Karlis	83/167
5,638,730 A	6/1997	Karlis	83/167
5,787,783 A	8/1998	Evans et al.	83/618
5,797,308 A	8/1998	Evans et al.	83/618
5,829,334 A	11/1998	Evans et al.	83/618
D445,832 S	7/2001	Chan	D19/72

OTHER PUBLICATIONS

Guernsey Office Products Catalog, c1999, see indicated hole punch, upper left, p. 870.*

* cited by examiner

Primary Examiner—Martie K. Holtje

(74) *Attorney, Agent, or Firm*—William L. Muckelroy, PC;
A. Lessler; G. Lipson

(21) **Appl. No.:** **29/155,342**

(22) **Filed:** **Feb. 11, 2002**

(51) **LOC (7) Cl.** **19-02**

(52) **U.S. Cl.** **D19/72**

(58) **Field of Search** D19/65, 72, 95,
D19/99, 100; D8/49-51, 98; 30/358, 363;
83/167, 549, 571, 588, 618, 625-628, 632,
633, 667, 669, 684

(56) **References Cited**

U.S. PATENT DOCUMENTS

2,244,660 A *	6/1941	Carpenter	83/167
2,474,344 A *	6/1949	Carsenter	83/167
3,005,371 A	10/1961	Misson		
D193,231 S	7/1962	Klein	D19/72
D202,007 S *	8/1965	Murray	D19/72
3,392,913 A *	7/1968	Neilesen	83/571 X
4,036,088 A *	7/1977	Ruskin	83/167
4,166,404 A	9/1979	Almog	83/167
D279,299 S	6/1985	Semerjian et al.	D19/72
D295,192 S	4/1988	Lucey	D19/72
D306,460 S	3/1990	Mori	D19/72
5,163,350 A	11/1992	Groswith, III et al.	83/549

CLAIM

The ornamental design for a three hole punch with colored designer rubber insert and grip, as shown and described.

DESCRIPTION

FIG. 1. is a top, perspective view of a three hole punch with colored designer rubber insert and grip;
FIG. 2. is a front elevational view thereof;
FIG. 3. is a top plan view thereof;
FIG. 4 is a left side elevational view thereof;
FIG. 5 is a right side elevational view thereof;
FIG. 6 is a rear elevational view thereof; and,
FIG. 7. is a bottom plan view thereof.

1 Claim, 6 Drawing Sheets

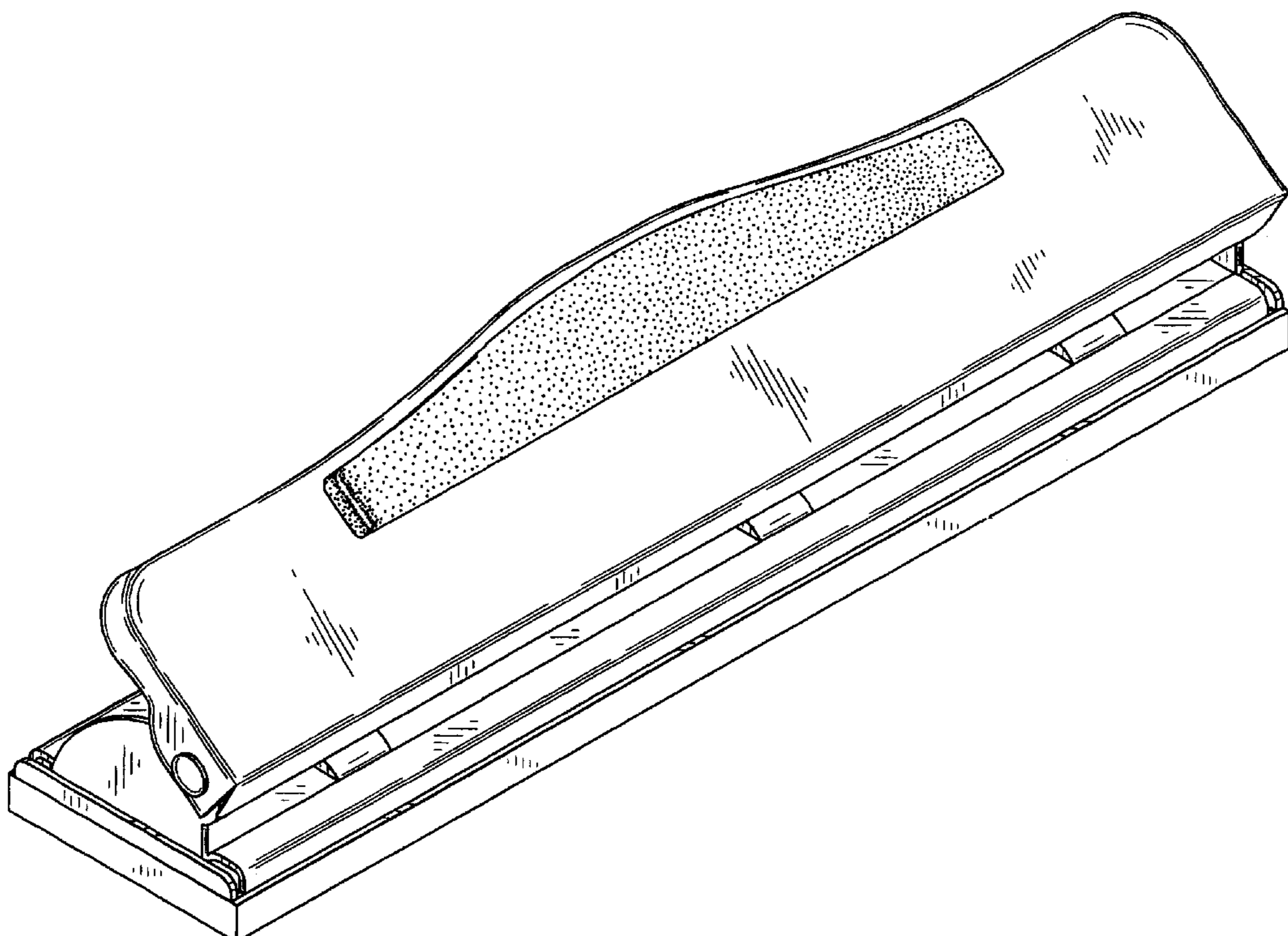


FIG. 1

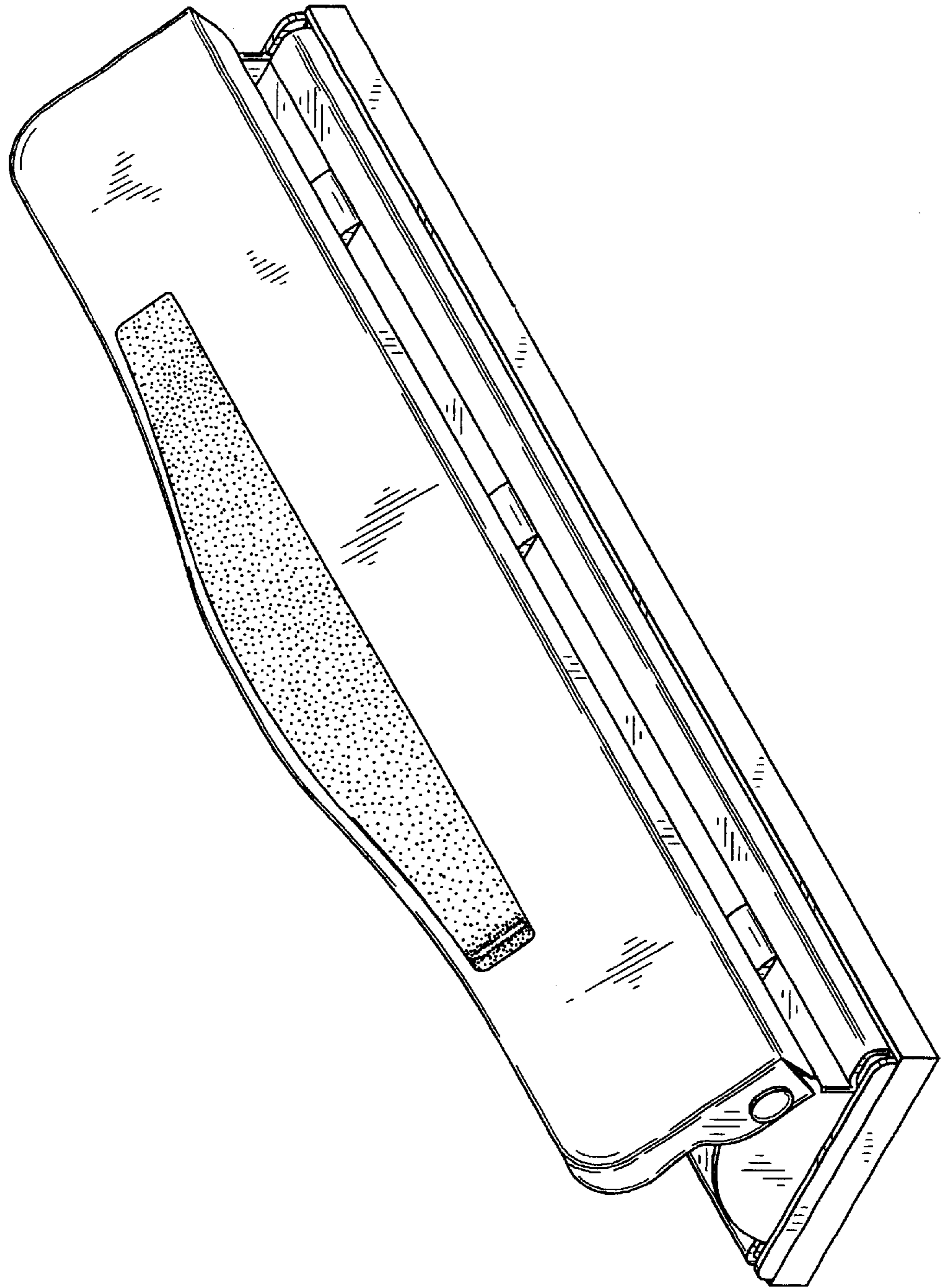


FIG. 2

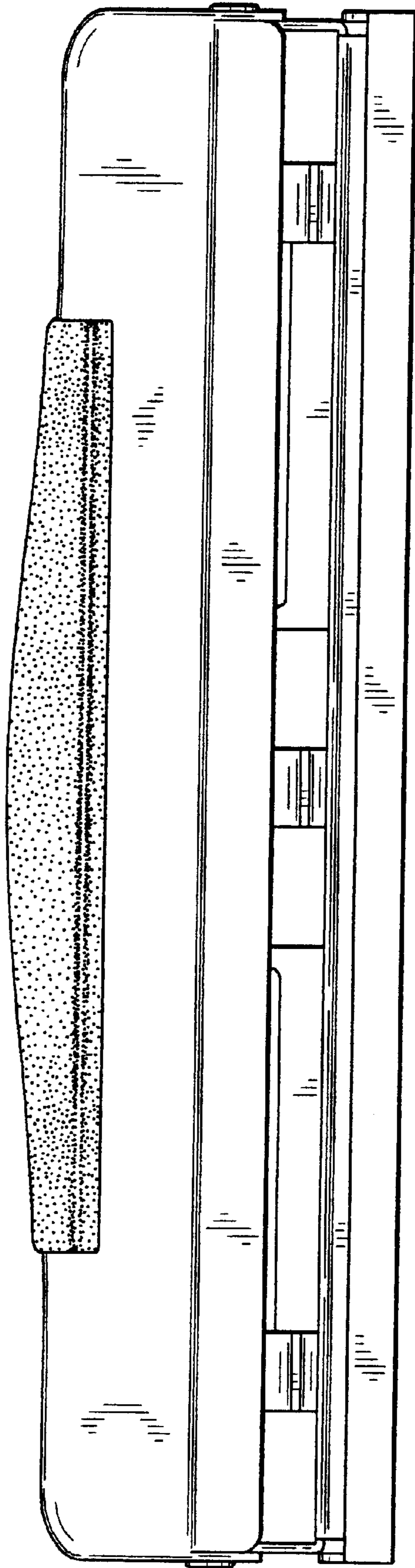


FIG. 3

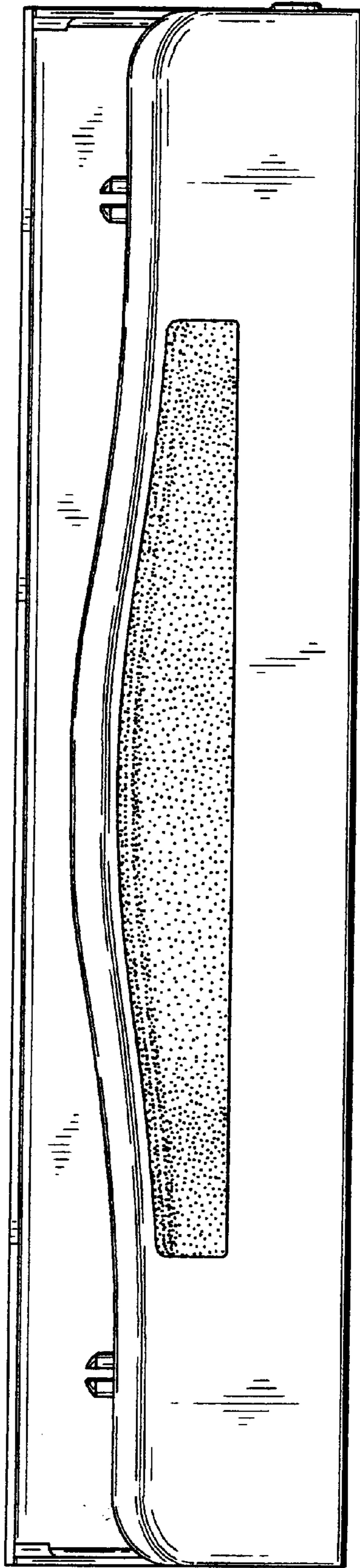


FIG. 4

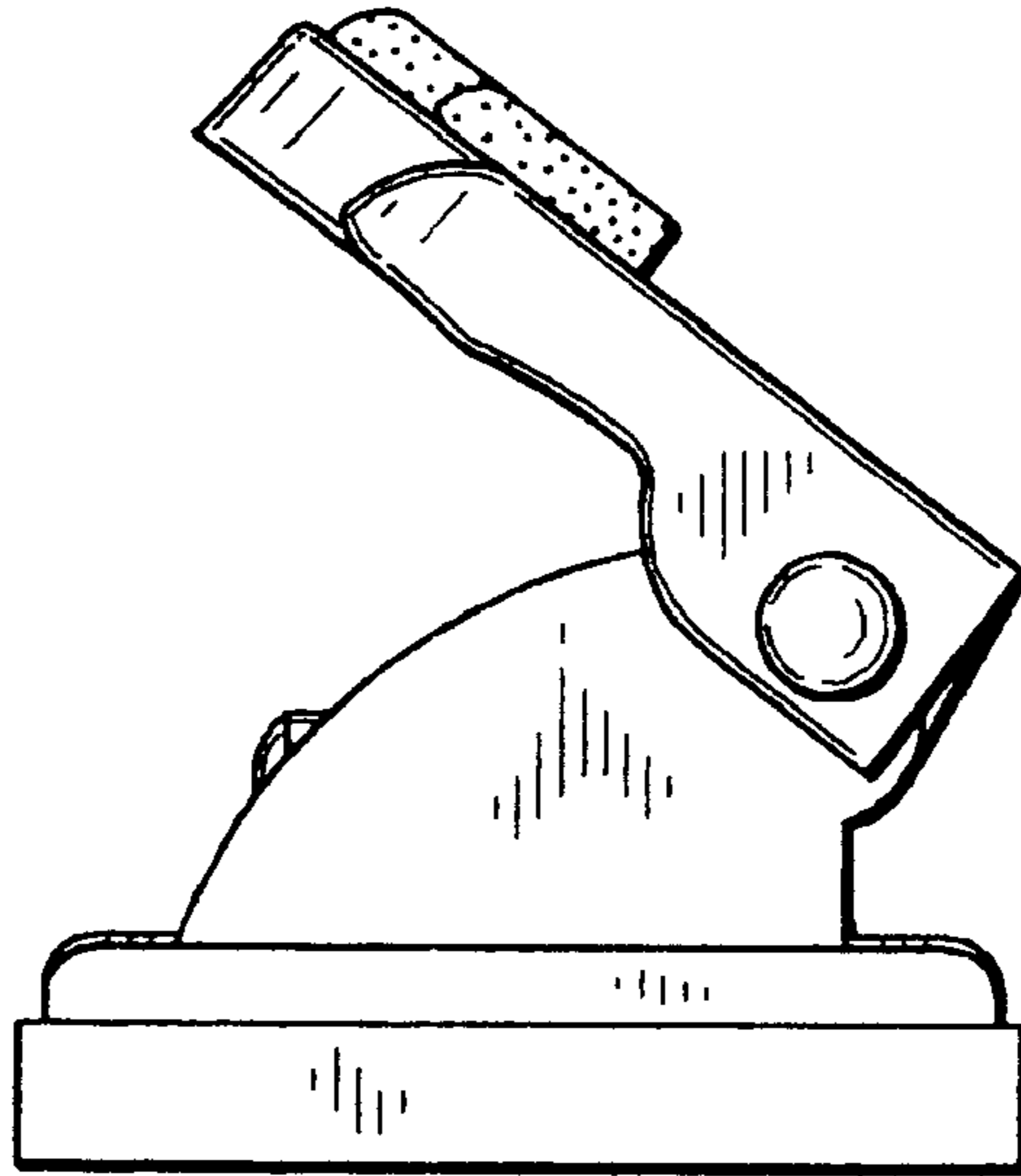


FIG. 5

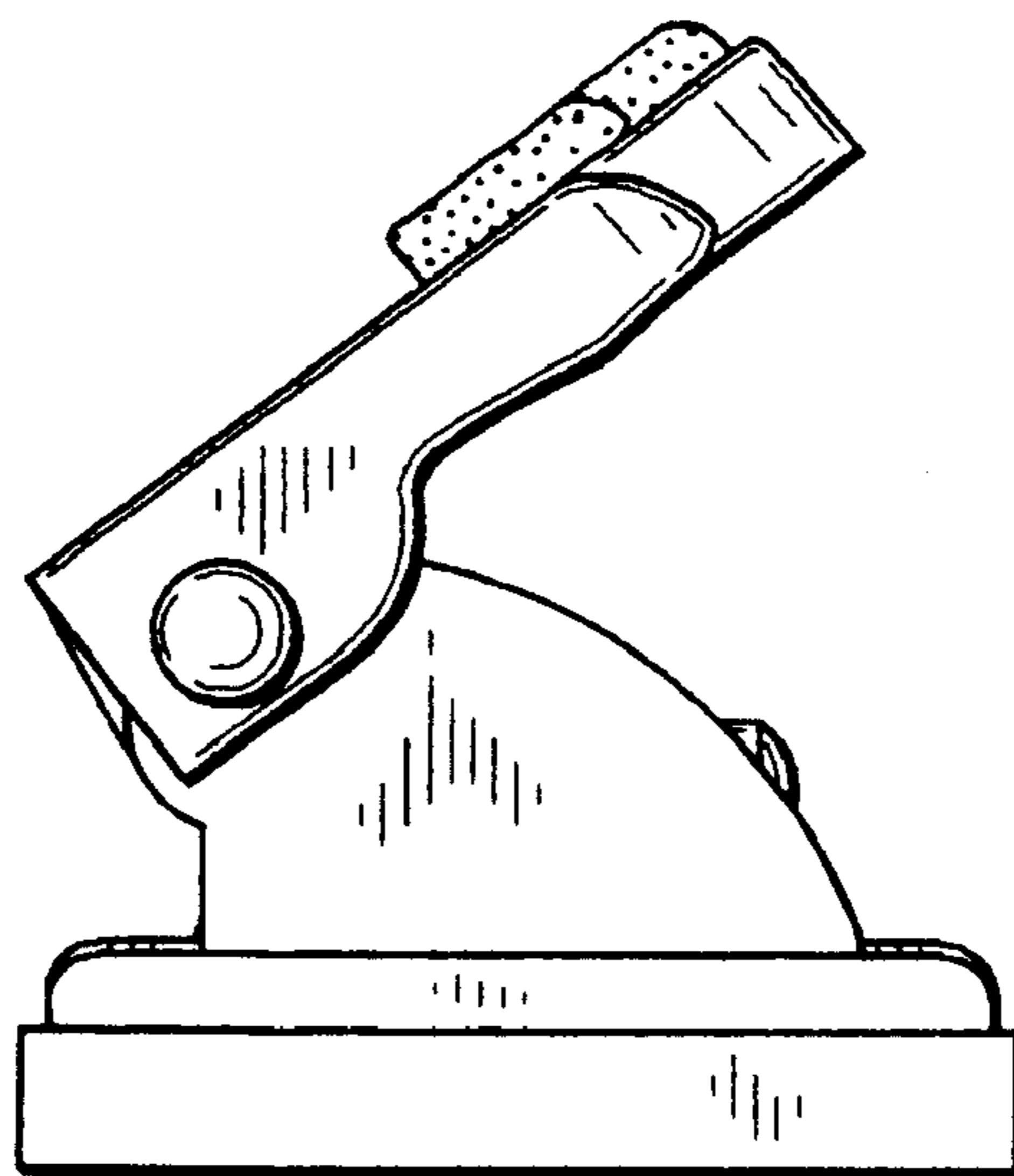


FIG. 6

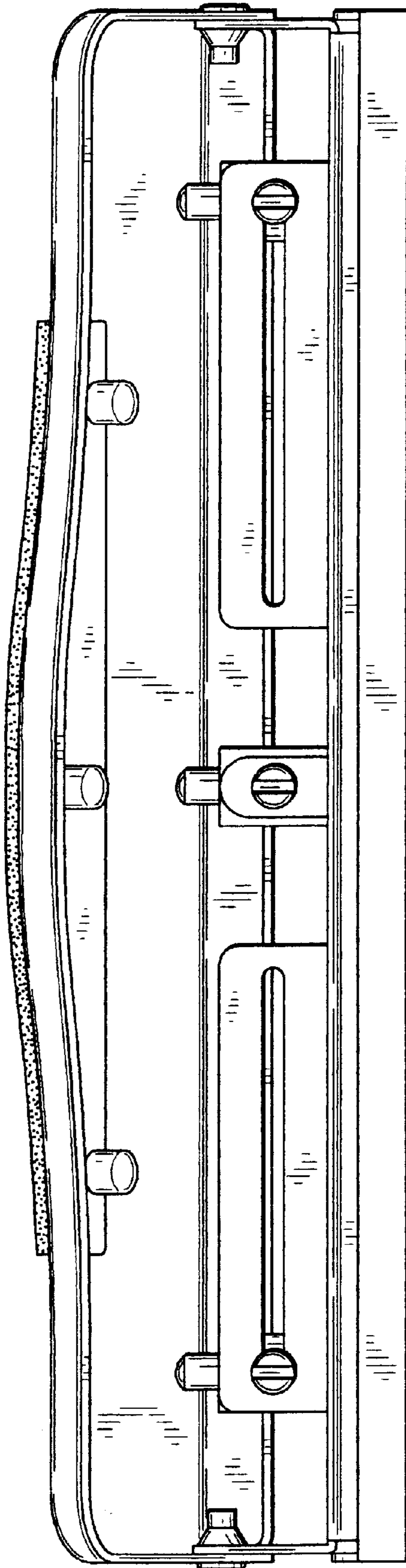


FIG. 7

