



US00D468356S

(12) **United States Design Patent**
Snell

(10) **Patent No.:** **US D468,356 S**

(45) **Date of Patent:** **** Jan. 7, 2003**

(54) **CLIP**

(75) Inventor: **Russell Benton Snell**, Bentleyville, OH (US)

(73) Assignee: **InterDesign, Inc.**, Solon, OH (US)

(**) Term: **14 Years**

(21) Appl. No.: **29/152,842**

(22) Filed: **Dec. 28, 2001**

(51) **LOC (7) Cl.** **19-02**

(52) **U.S. Cl.** **D19/65; D19/90; D8/395**

(58) **Field of Search** **D8/395; D19/65, D19/75, 78, 86, 88, 90, 91, 99, 100; 24/67 R, 67.1-67.11, 30.5 R, 326, 331, 334, 455, 499, 501, 509, 510, 511**

(56) **References Cited**

U.S. PATENT DOCUMENTS

2,223,978	A	*	12/1940	Dew	24/67.7	X
3,131,449	A	*	5/1964	Iida	24/334	
4,394,791	A	*	7/1983	Groth	24/30.5	R
D302,567	S	*	8/1989	Olson	D19/65	
D303,862	S	*	10/1989	Henderson	D32/64	
D383,970	S	*	9/1997	Berman	D8/395	
5,802,677	A	*	9/1998	Dorman et al.	24/30.5	R
D440,148	S	*	4/2001	Kan	D8/395	

OTHER PUBLICATIONS

Guernsey Office Products Catalog, ©1999, p. 405, see circled items H and I, clip and clip with magnet.*

* cited by examiner

Primary Examiner—Martie K. Holtje

(74) *Attorney, Agent, or Firm*—D. Peter Hochberg; Katherine R. Vieyra; Sean Mellino

(57) **CLAIM**

The ornamental design for a clip, as shown and described.

DESCRIPTION

FIG. 1 is a perspective view of the clip according to the invention;

FIG. 2 is a side view of the clip as shown in FIG. 1;

FIG. 3 is a rear view of the clip in a vertical position as shown in FIG. 1;

FIG. 4 is a side view of the clip as shown in FIG. 1, viewed from the opposite side as that shown in FIG. 2;

FIG. 5 is a rear view of the clip in a horizontal position as shown in FIG. 1;

FIG. 6 is a front view of the clip in a vertical position as shown in FIG. 1;

FIG. 7 is a front view of the clip in a horizontal position as shown in FIG. 1;

FIG. 8 is an alternative embodiment of the clip according to the invention having a magnet attachment;

FIG. 9 is a side view of the clip as shown in FIG. 8;

FIG. 10 is a rear view of the clip in a vertical position as shown in FIG. 8;

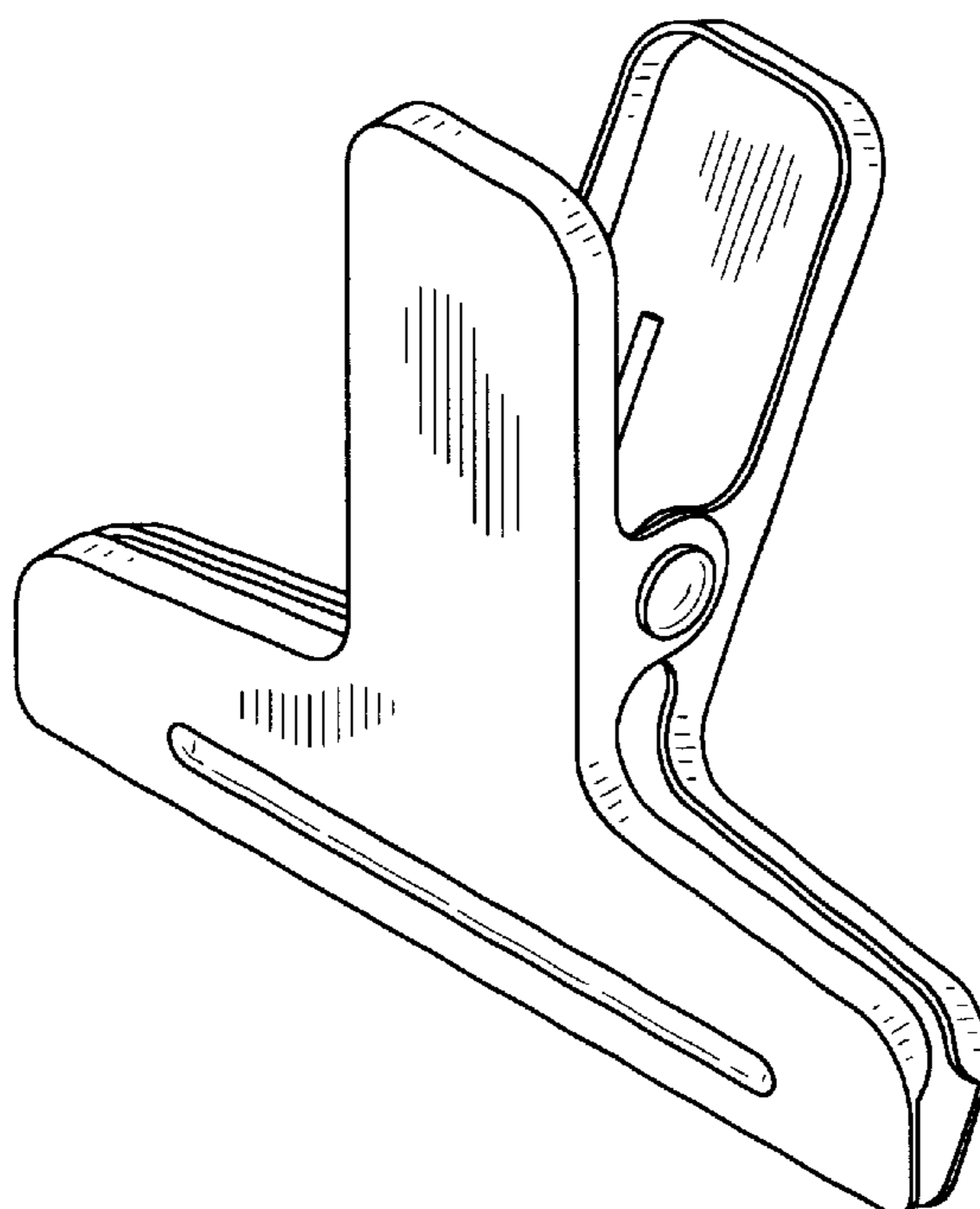
FIG. 11 is a side view of the clip as shown in FIG. 8, viewed from the opposite side as that shown in FIG. 9;

FIG. 12 is a rear view of the clip in a horizontal position as shown in FIG. 8;

FIG. 13 is a front view of the clip in a vertical position as shown in FIG. 8; and,

FIG. 14 is a front view of the clip in a horizontal position as shown in FIG. 8.

1 Claim, 2 Drawing Sheets



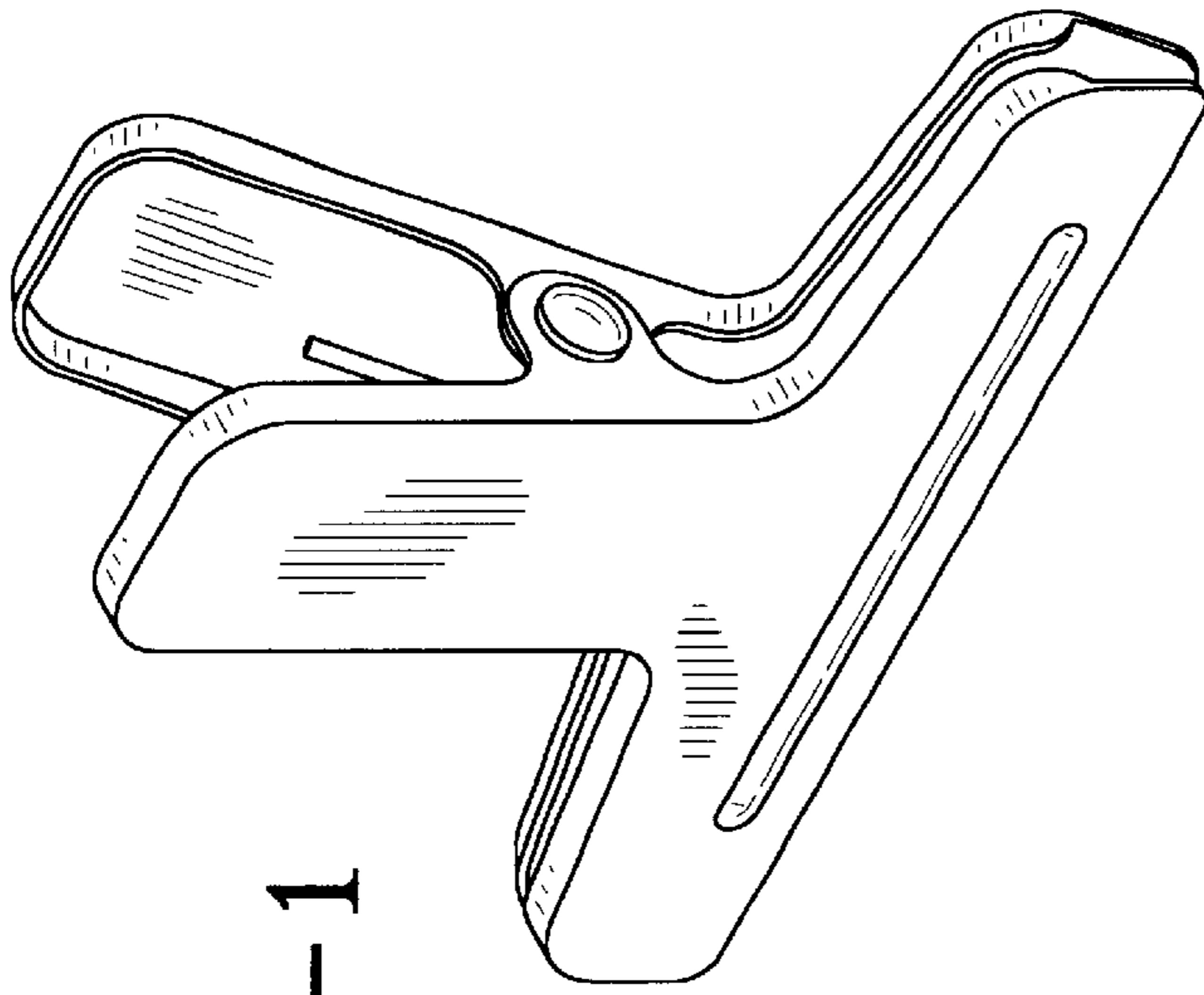


FIG-1

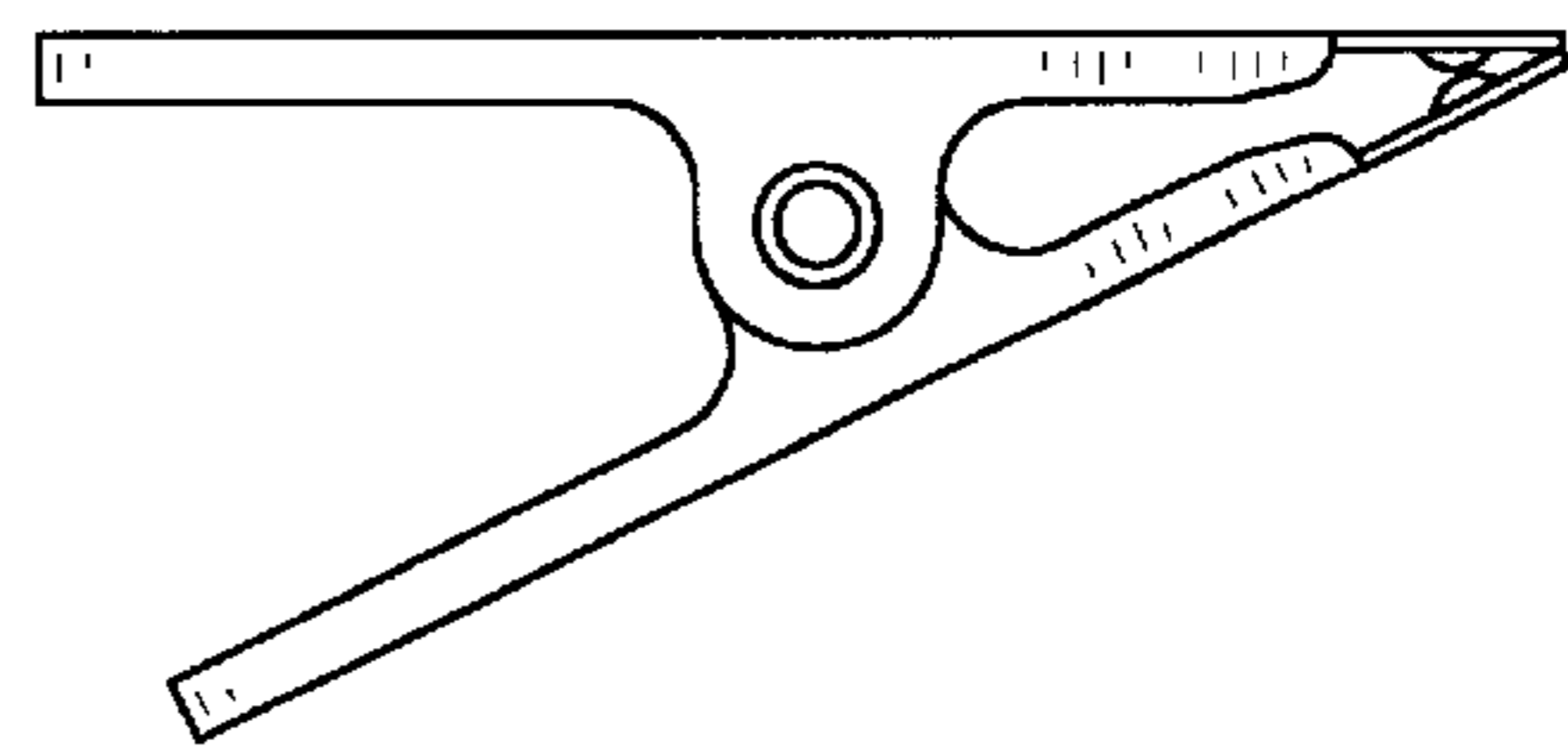


FIG-2

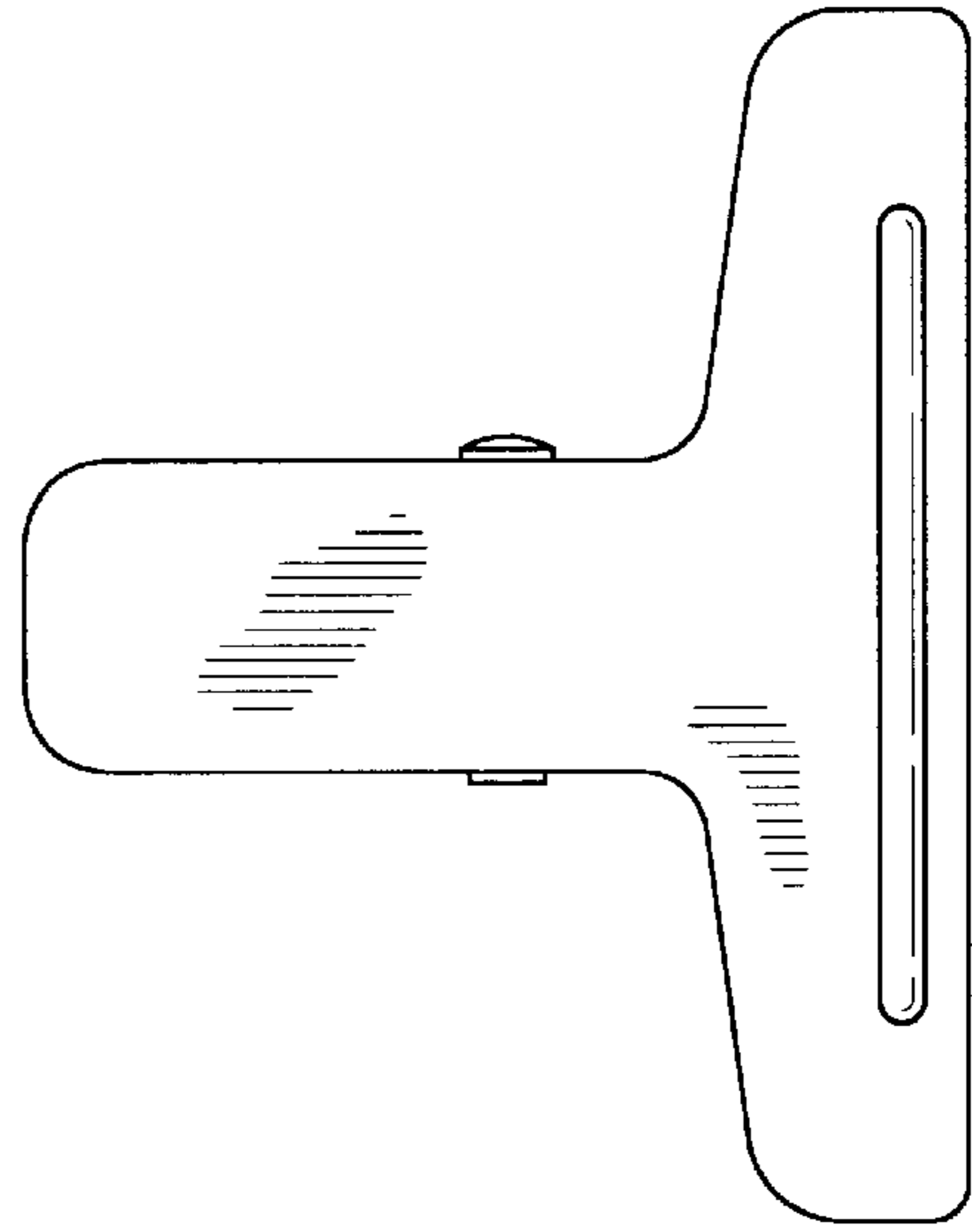


FIG-3

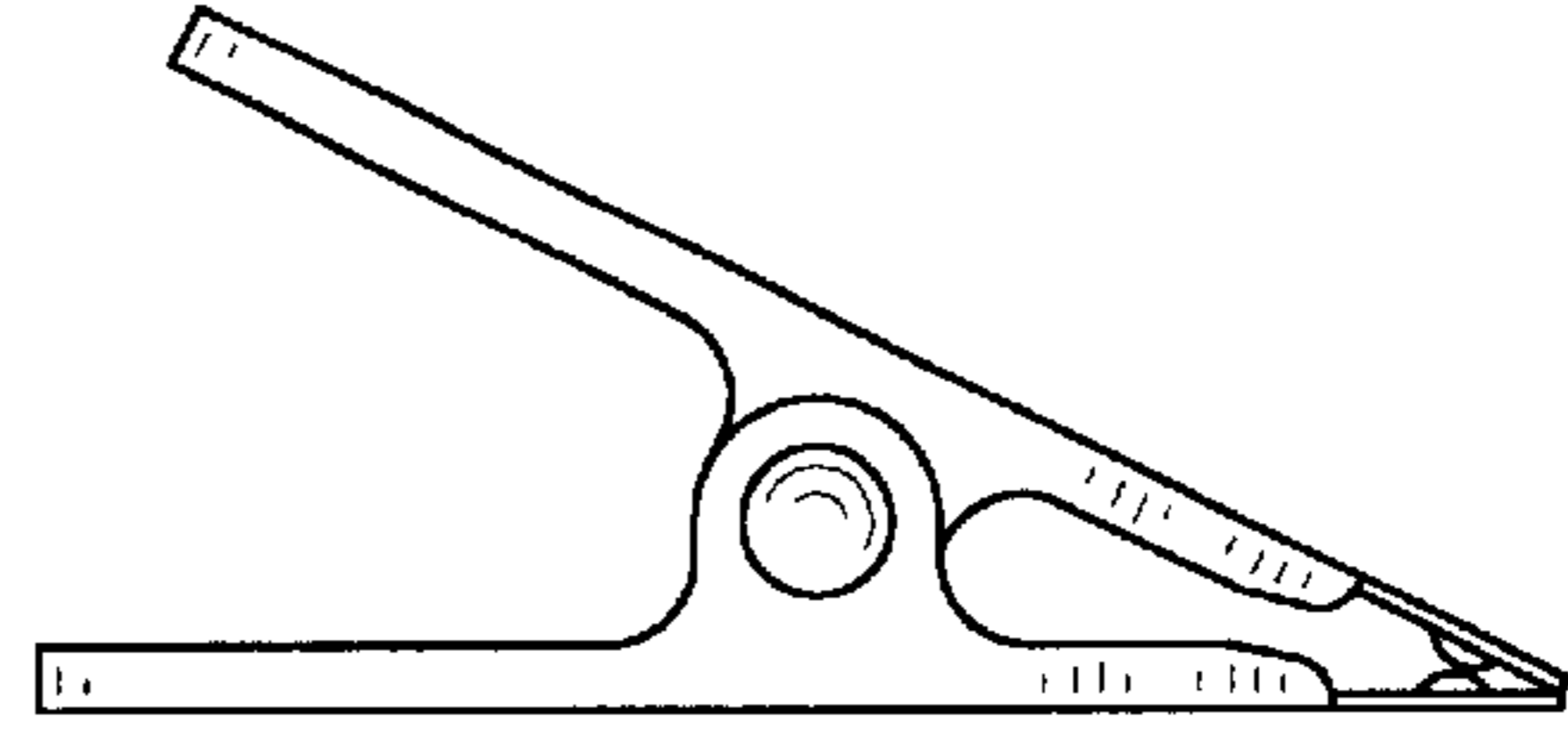


FIG-4

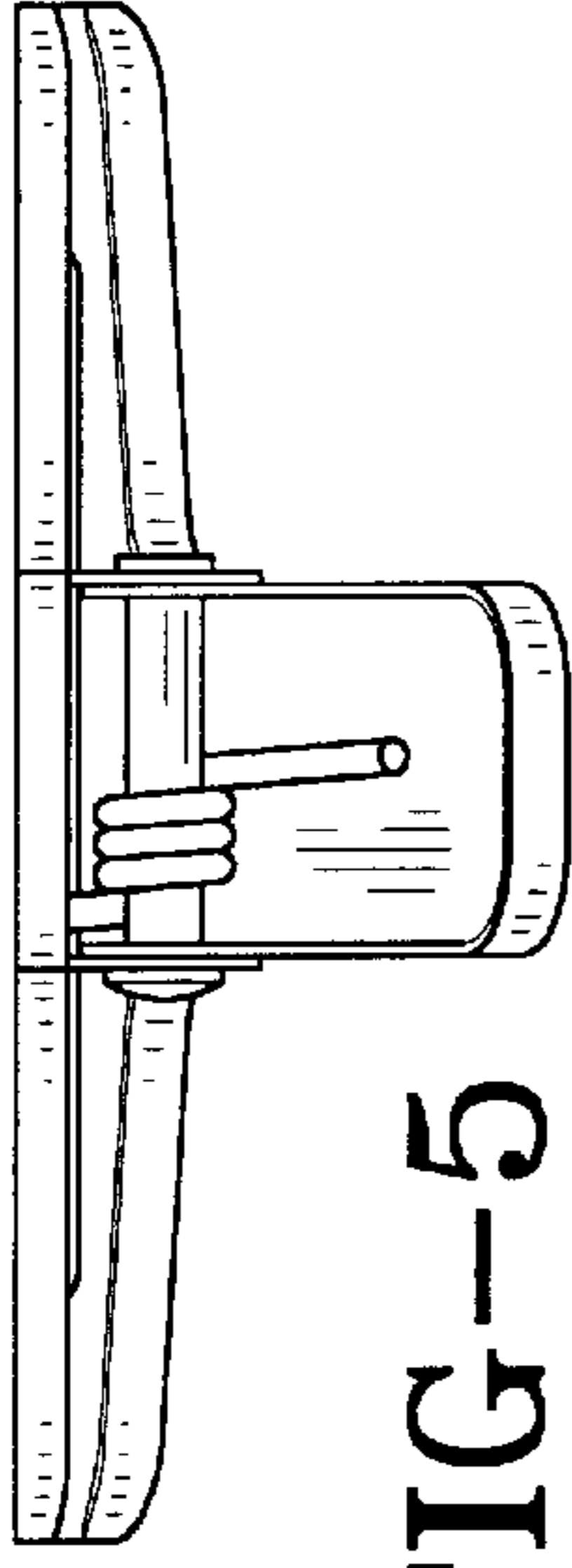


FIG-5

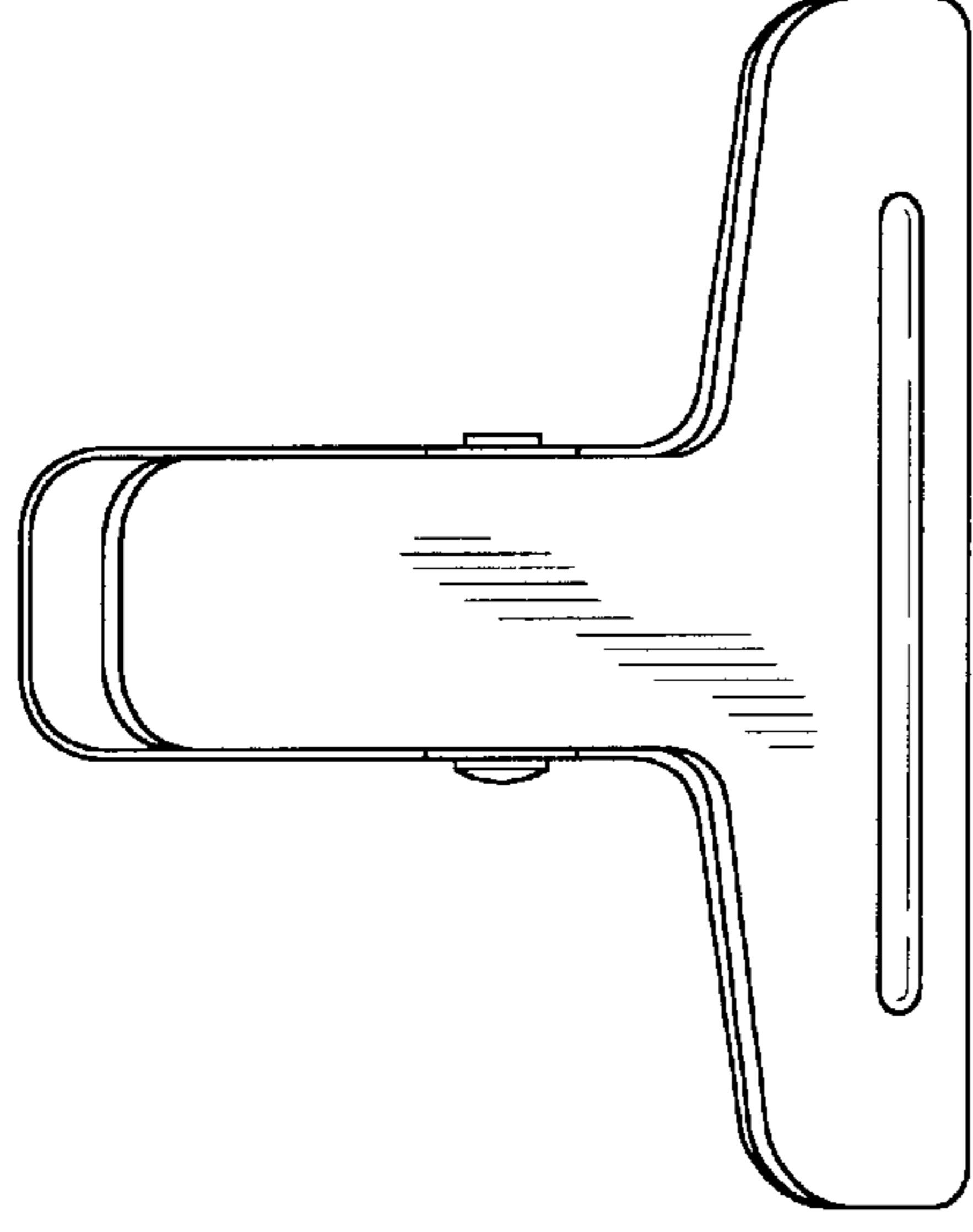


FIG-6

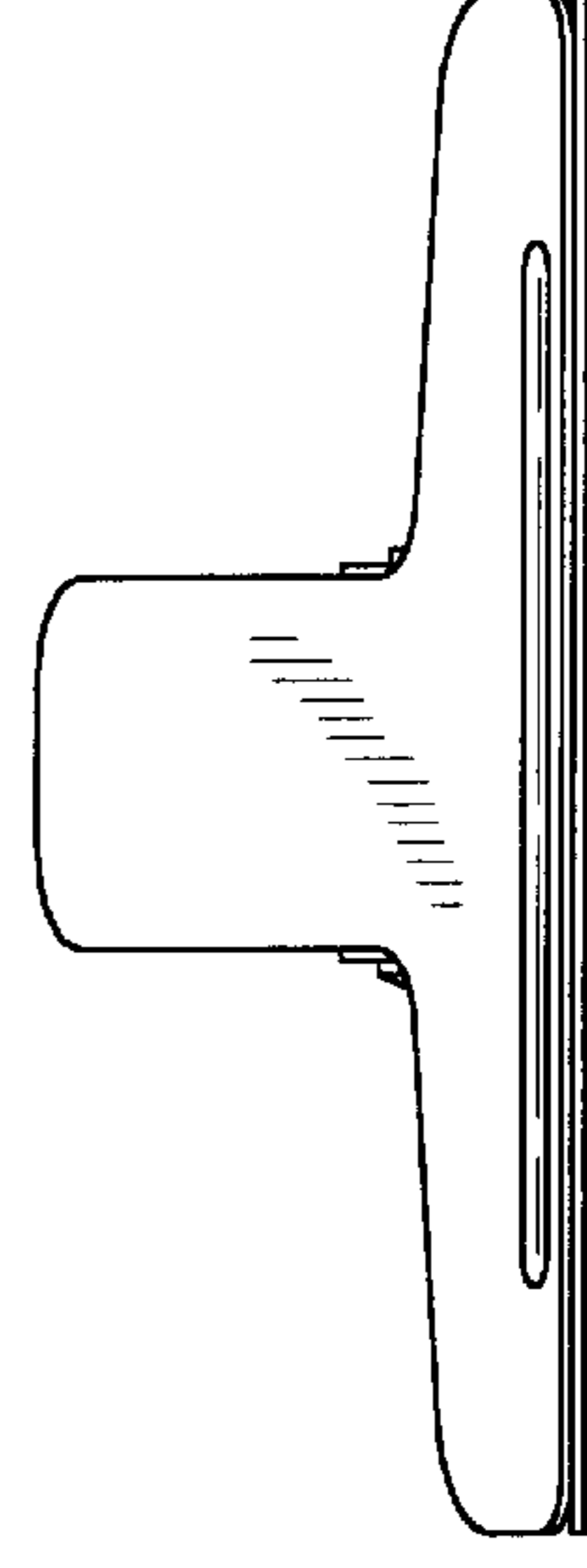


FIG-7

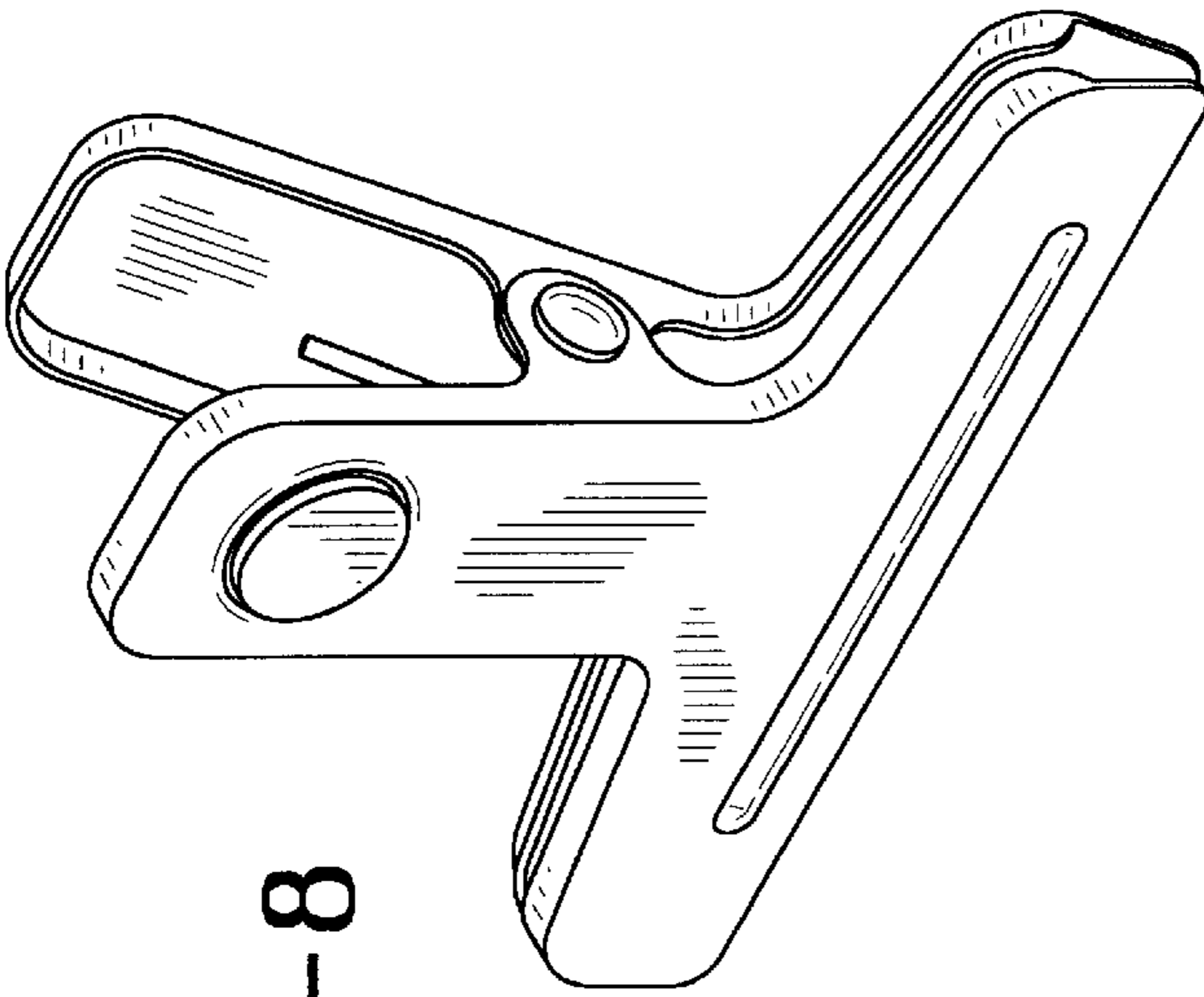


FIG-8

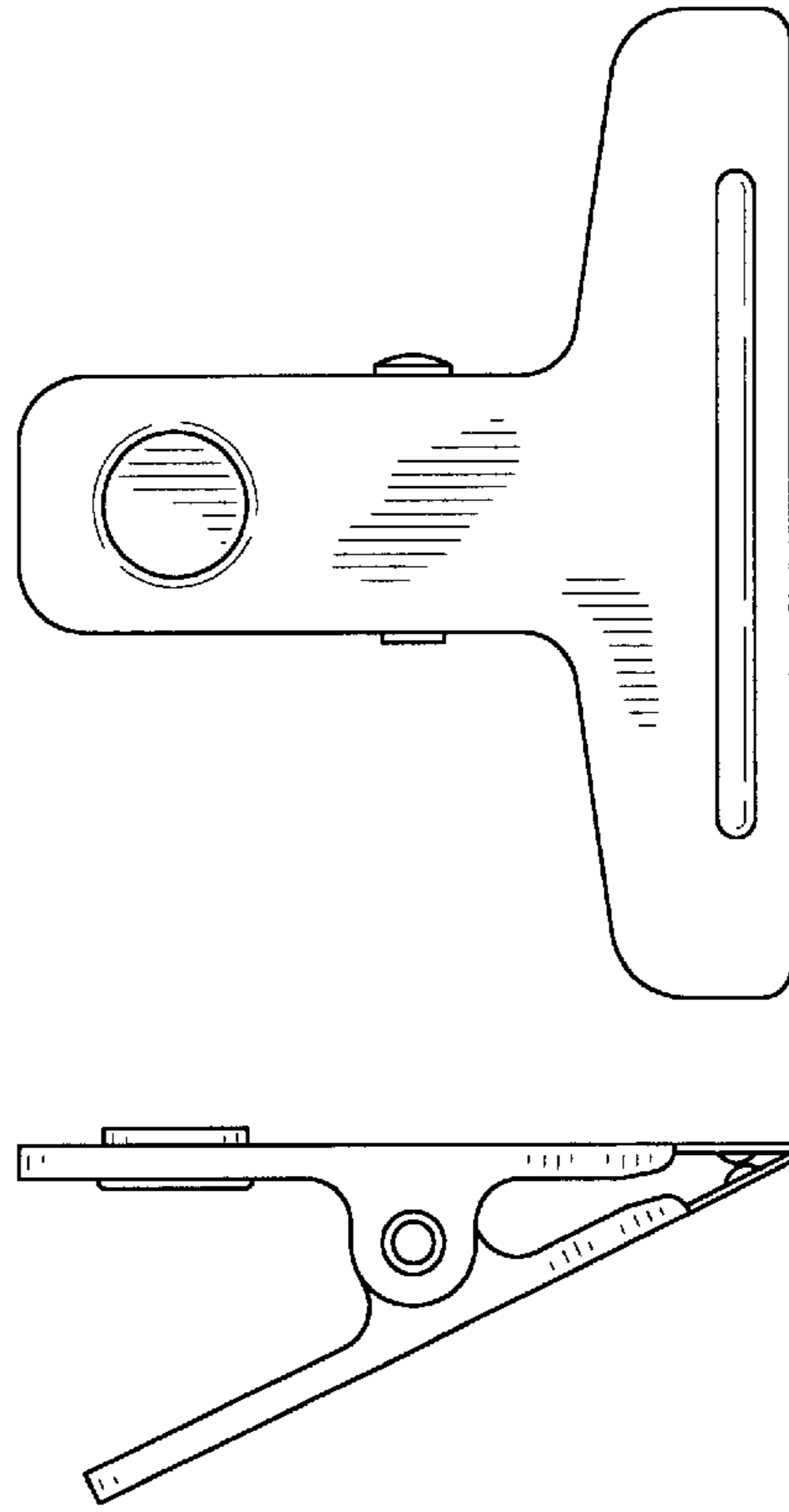


FIG-9

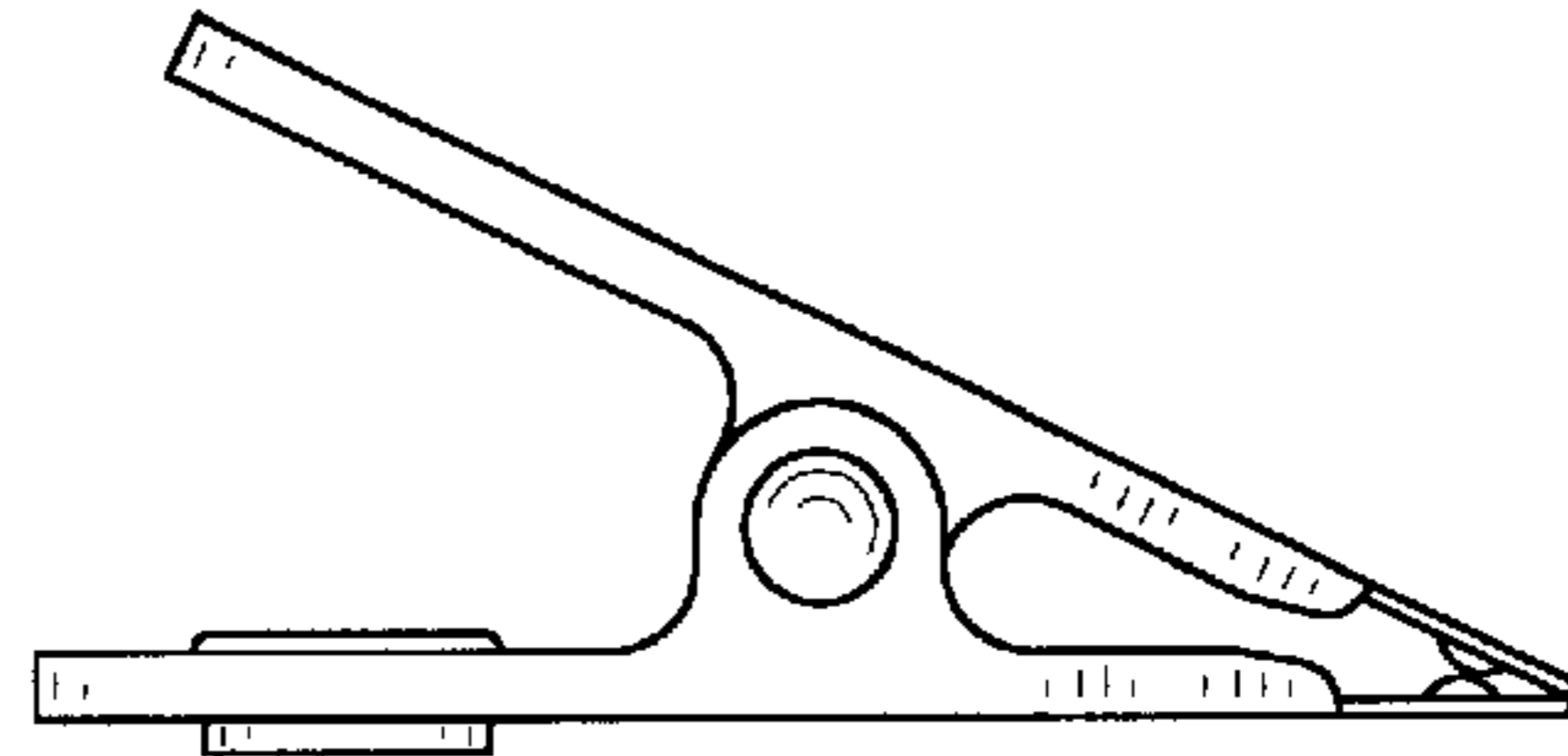


FIG-11

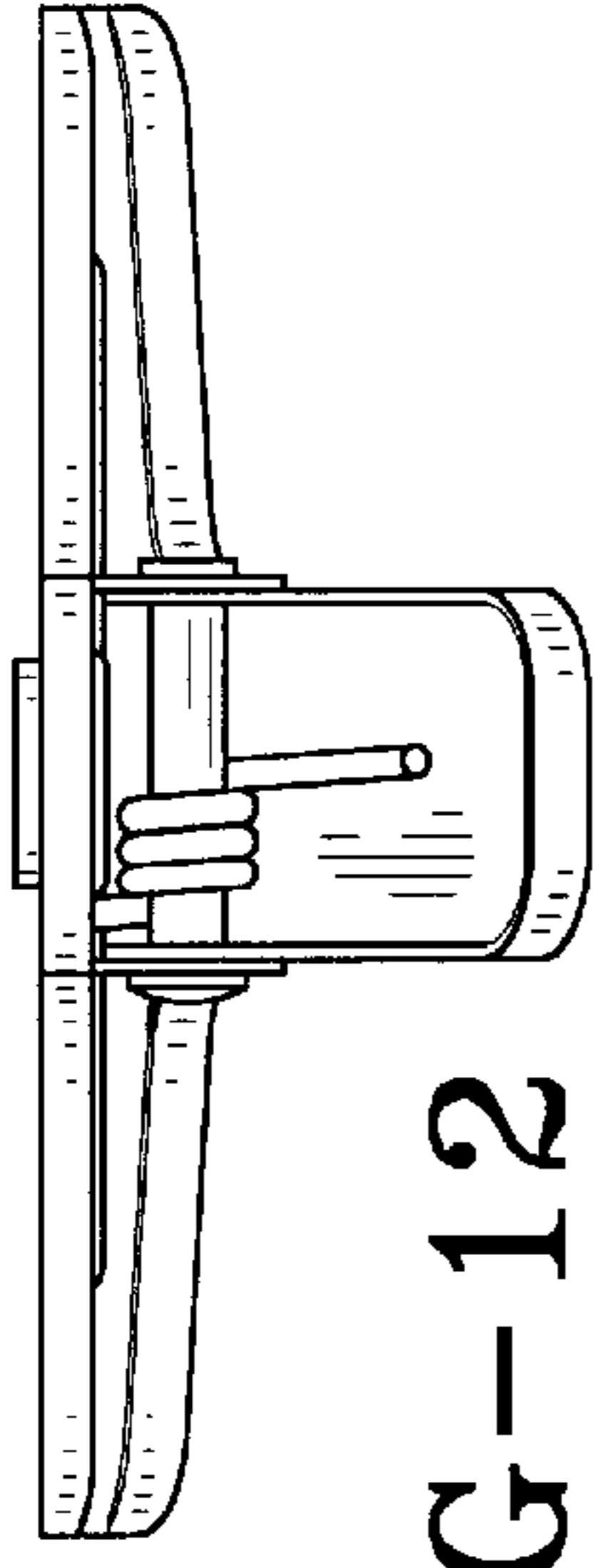


FIG-12

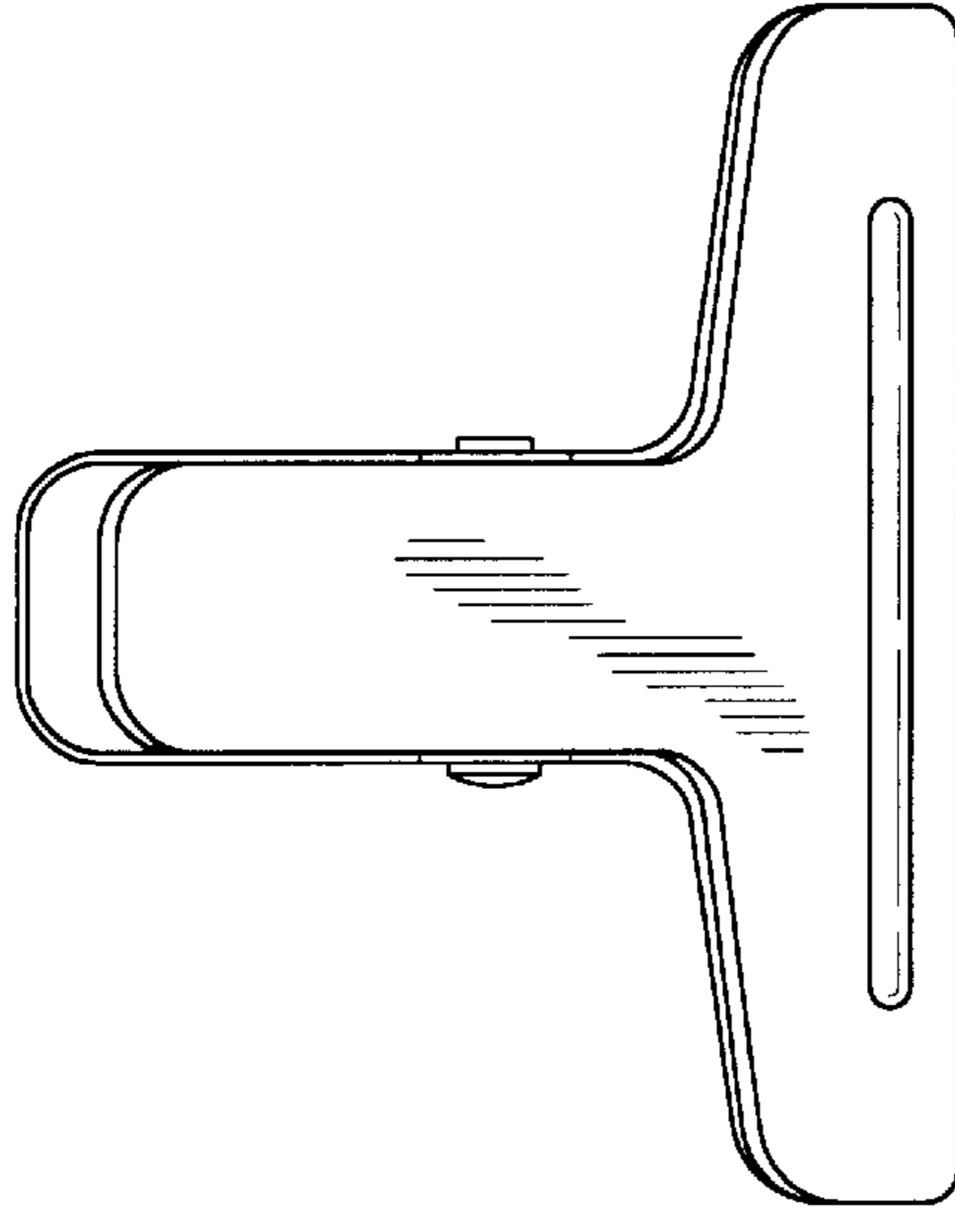


FIG-13

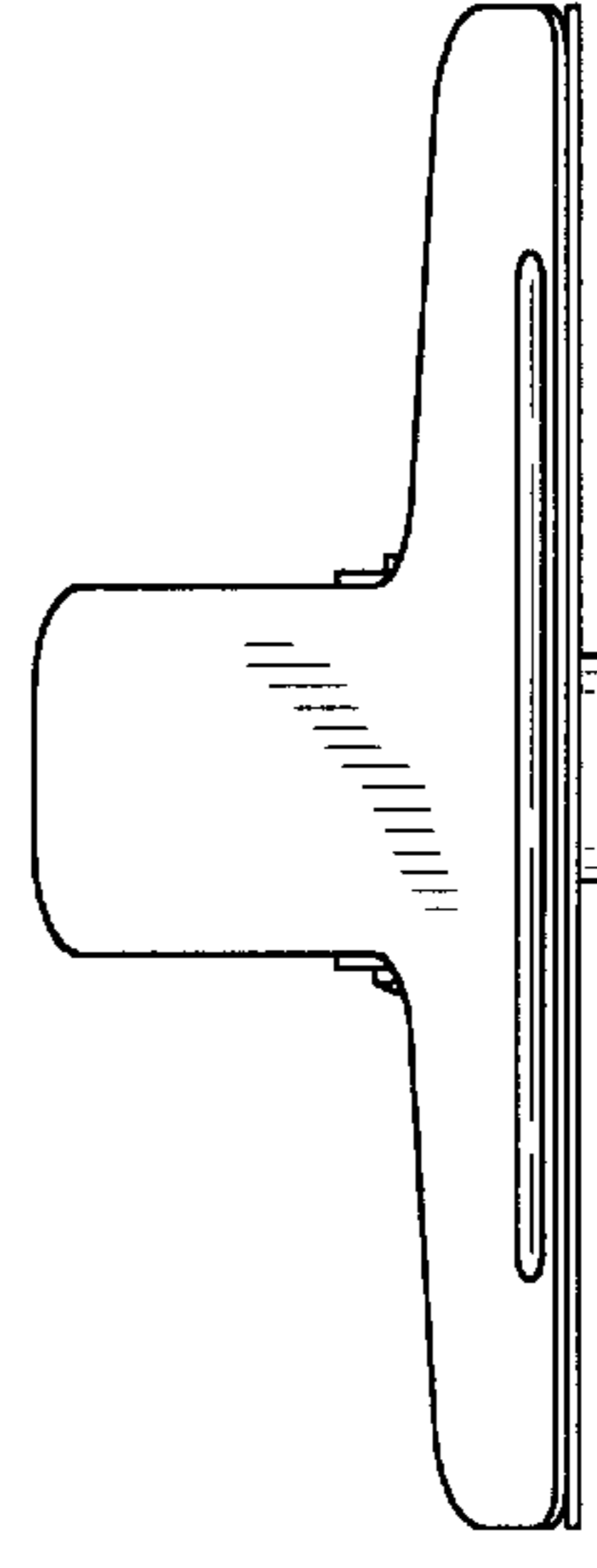


FIG-14