



US00D468355S

(12) **United States Design Patent**
Danella et al.

(10) **Patent No.:** **US D468,355 S**

(45) **Date of Patent:** **** Jan. 7, 2003**

(54) **SET OF CLIP CONTACT PLATES**

(76) Inventors: **Dennis Brian Danella**, 12135 W. 99th Ter., Lenexa, KS (US) 66215; **Ladi Olajide Shogbamimu**, 1206 W. 121st St., Leawood, KS (US) 66209

(**) Term: **14 Years**

(21) Appl. No.: **29/152,668**

(22) Filed: **Dec. 21, 2001**

(51) **LOC (7) Cl.** **19-02**

(52) **U.S. Cl.** **D19/65; D19/86**

(58) **Field of Search** D19/65, 75, 86, D19/88, 90, 91, 99, 100; 24/67 R, 67.1-67.11, 545, 546, 563; D8/394, 395

(56) **References Cited**

U.S. PATENT DOCUMENTS

4,532,680	A	*	8/1985	Hashimoto	24/67 R
4,761,862	A	*	8/1988	Hiromori	24/67.9
D302,567	S	*	8/1989	Olson	D19/65
D321,209	S	*	10/1991	Hiromori	D19/65
5,533,236	A	*	7/1996	Tseng	24/67.5
5,896,624	A	*	4/1999	Horswell	24/67.5

* cited by examiner

Primary Examiner—Martie K. Holtje
(74) *Attorney, Agent, or Firm*—Shook, Hardy & Bacon LLP

(57) **CLAIM**

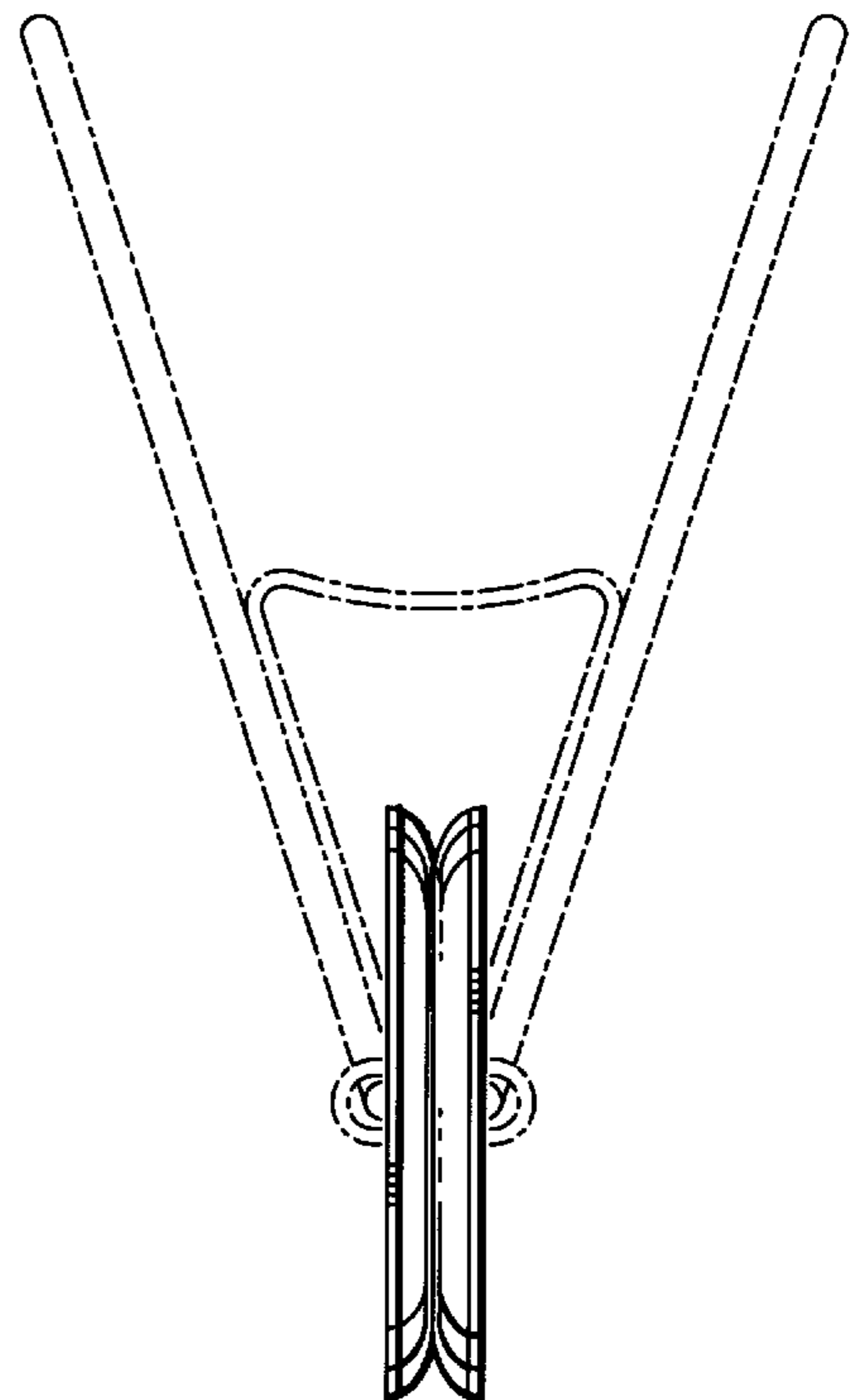
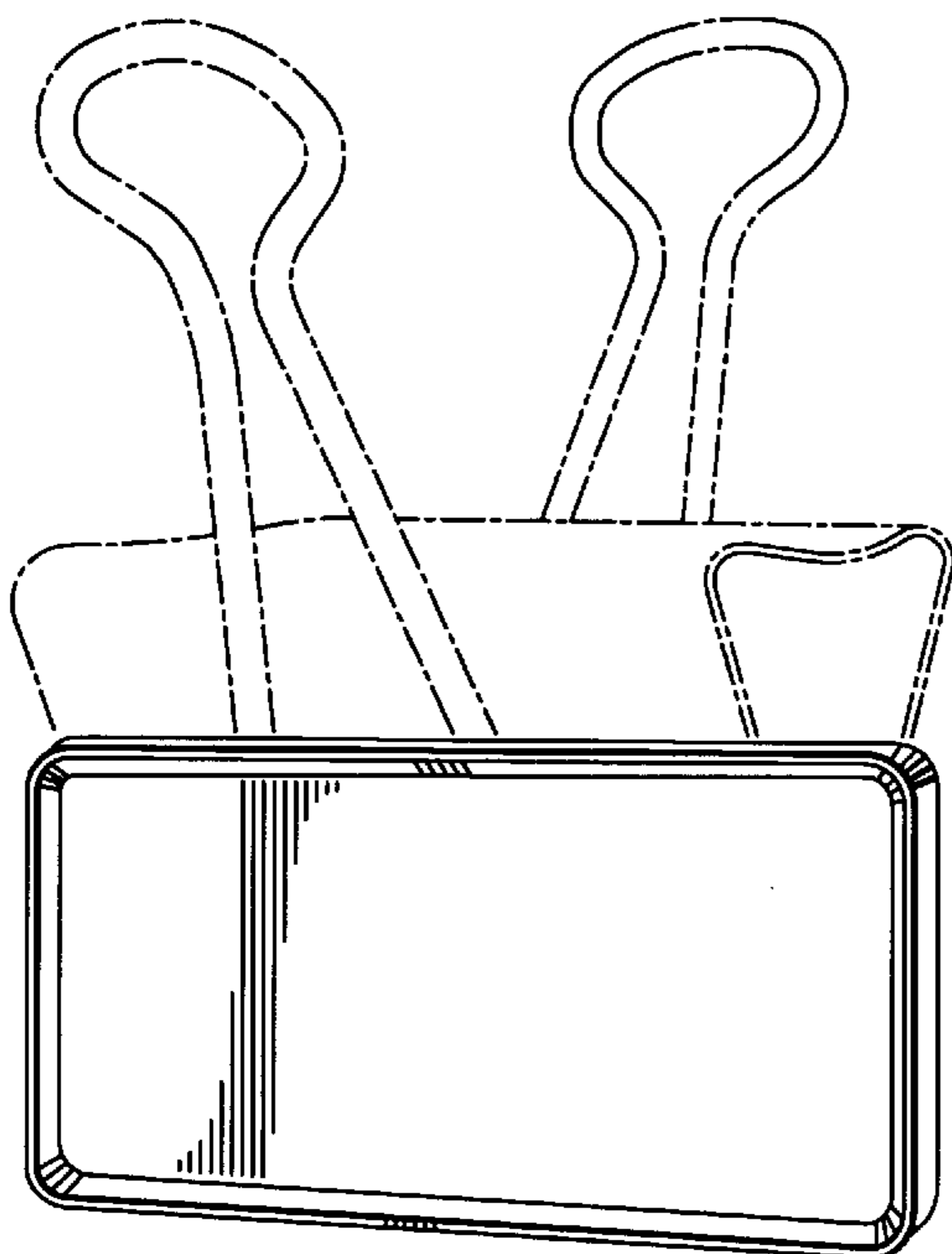
The ornamental design for a set of clip contact plates, as shown and described.

DESCRIPTION

FIG. 1 is a front perspective view of our new set of clip contact plates according to the present invention; FIG. 2 is a side view of the present invention; FIG. 3 is a front view of the present invention; FIG. 4 is a top view of the present invention; and, FIG. 5 is a bottom view of the present invention.

The broken lines shown in FIGS. 1-5 of the drawings are for illustrative purposes only, and the subject matter depicted thereby constitutes no part of the claimed design. The broken lines in FIGS. 1, 3 and 4 have intentionally been omitted in some locations so the broken lines do not interfere with the illustration of the claimed design.

1 Claim, 2 Drawing Sheets



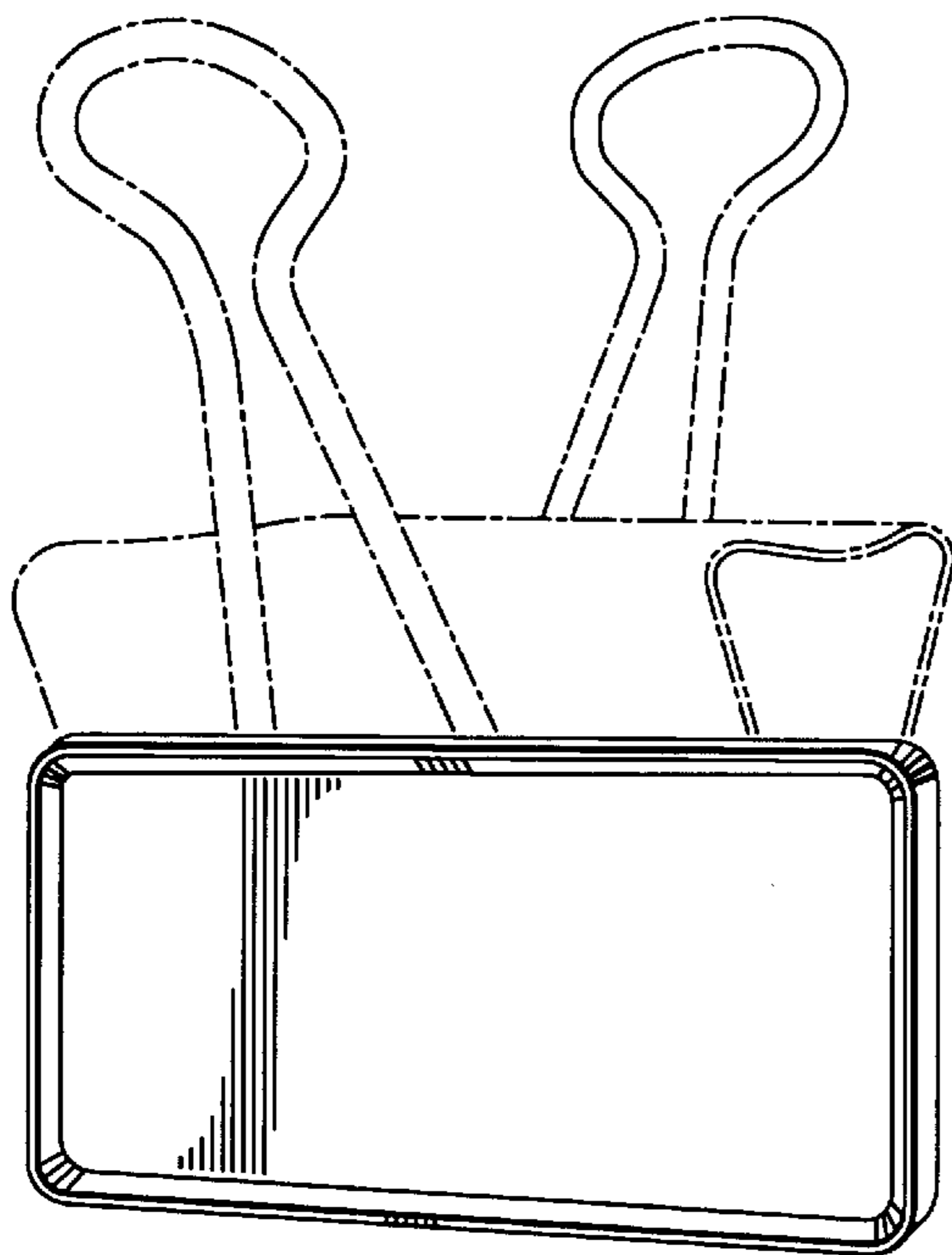


FIG. 1.

FIG. 2.

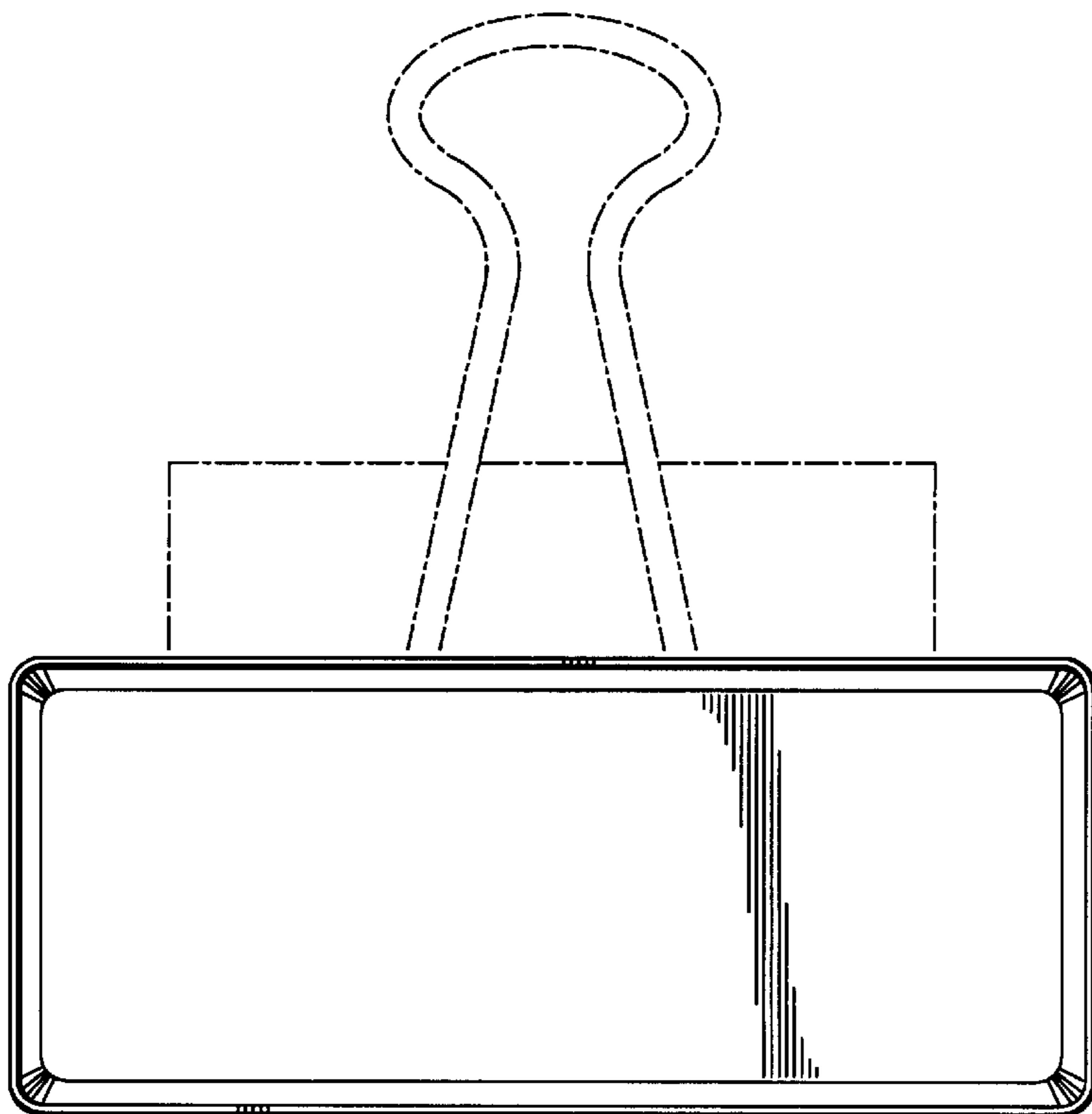
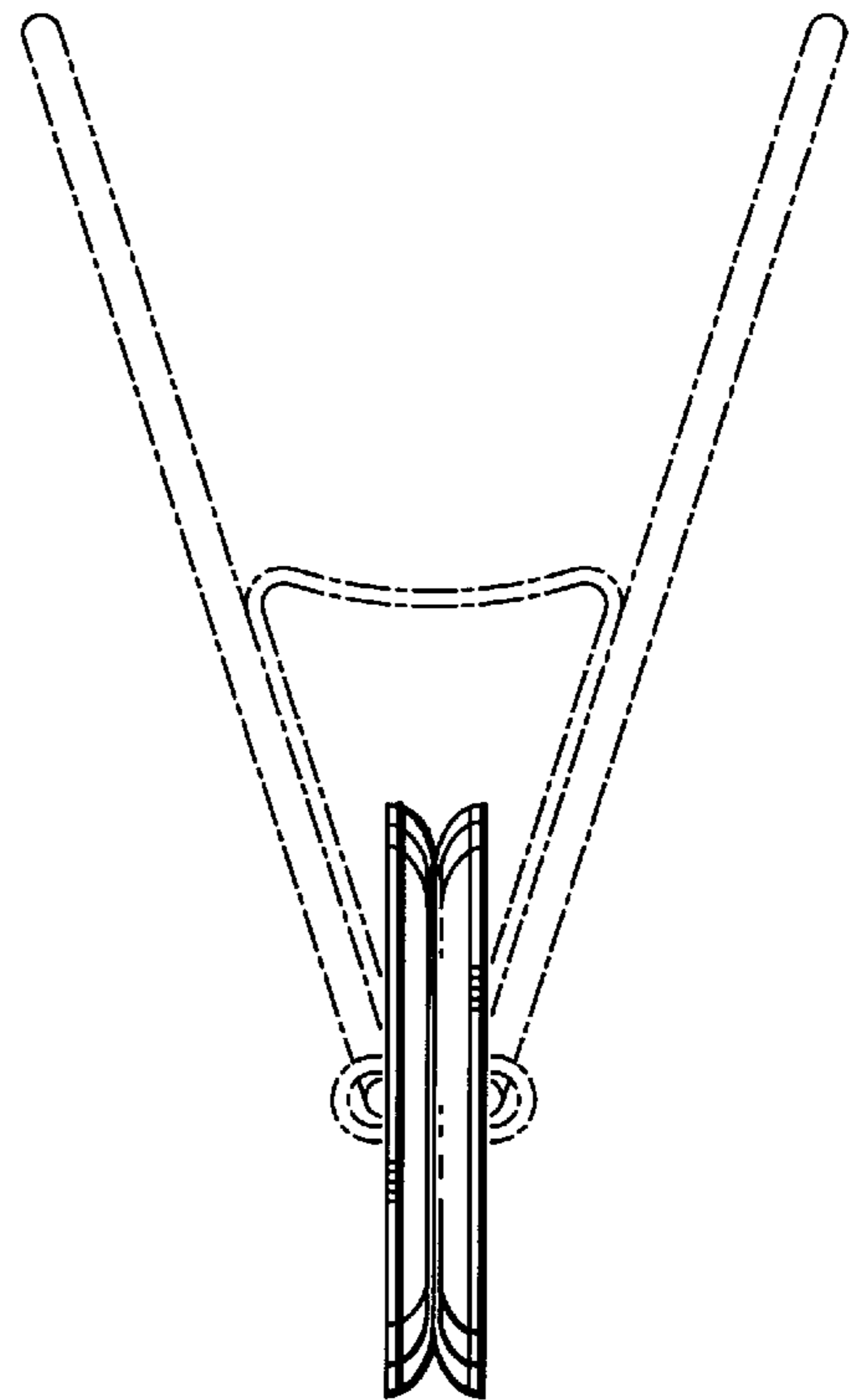


FIG. 3.

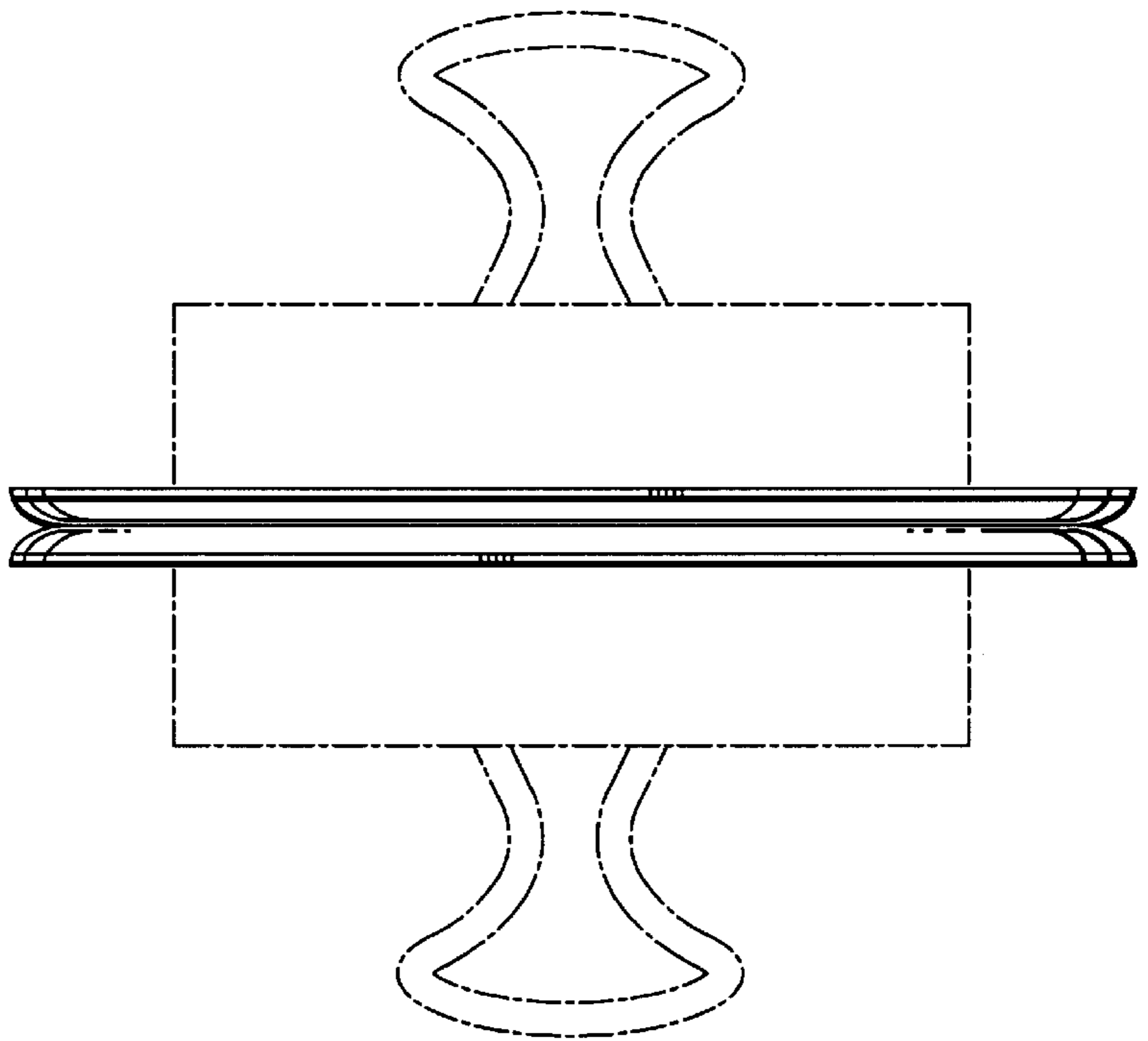


FIG. 4.

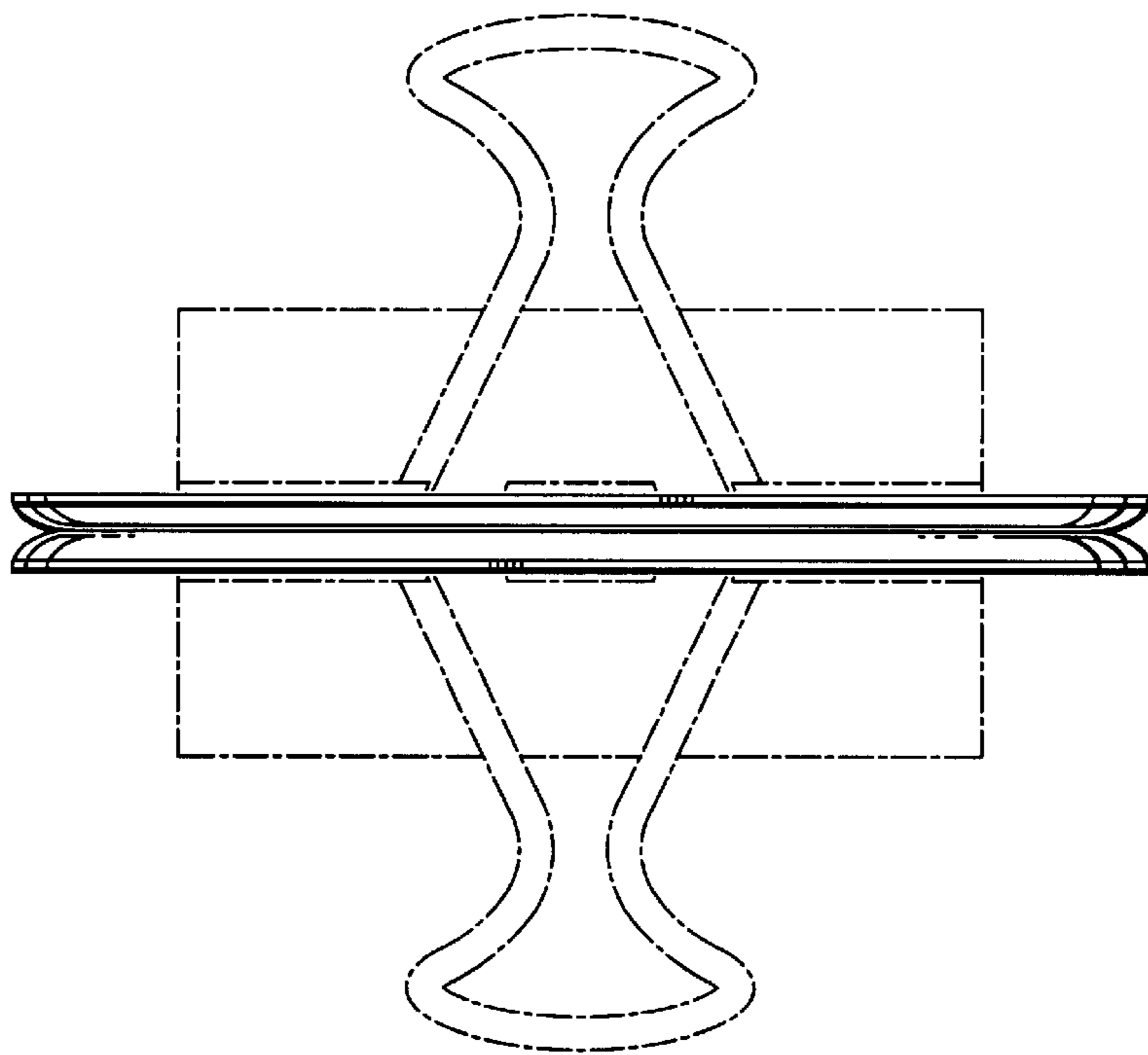


FIG. 5.