



US00D468351S

(12) **United States Design Patent**
To

(10) **Patent No.:** **US D468,351 S**

(45) **Date of Patent:** **** Jan. 7, 2003**

(54) **RING BINDER HOUSING COVER**

5,975,785 A * 11/1999 Chan 402/36

(75) Inventor: **Chun Yuen To, Shatin (HK)**

* cited by examiner

(73) Assignee: **World Wide Stationery
Manufacturing Company Limited,
Kwal Chung (HK)**

Primary Examiner—Paula A. Mortimer
(74) *Attorney, Agent, or Firm*—Michael Best & Friedrich
LLC; J. Warren Whitesel

(**) Term: **14 Years**

(57) **CLAIM**

(21) Appl. No.: **29/141,807**

The ornamental design for ring binder housing cover, as shown and described.

(22) Filed: **May 11, 2001**

DESCRIPTION

(51) **LOC (7) Cl.** **19-04**

(52) **U.S. Cl.** **D19/32**

(58) **Field of Search** D19/26, 27, 32,
D19/49, 100; 402/26, 31, 36, 38, 39, 41;
281/3.1, 15.1, 21.1, 22, 27.1, 27.2, 27.3,
28, 29, 30, 31, 32, 39, 45, 46, 47, 48, 49,
50, 51

FIG. 1 is a perspective view showing the top and one end of the inventive ring binder housing cover;

FIG. 2 is a perspective view showing the bottom and one end of the inventive ring binder housing cover;

FIG. 3 is a side elevation of one side of the inventive ring binder housing cover;

FIG. 4 is a plan view looking down on top of the ring binder housing cover;

FIG. 5 is a side elevation of an opposite side of the inventive ring binder cover;

FIG. 6 is a plan view of the underside of the inventive ring binder cover; and,

FIG. 7 is an elevation view of an end of the inventive ring binder cover, the opposite end being identical thereto.

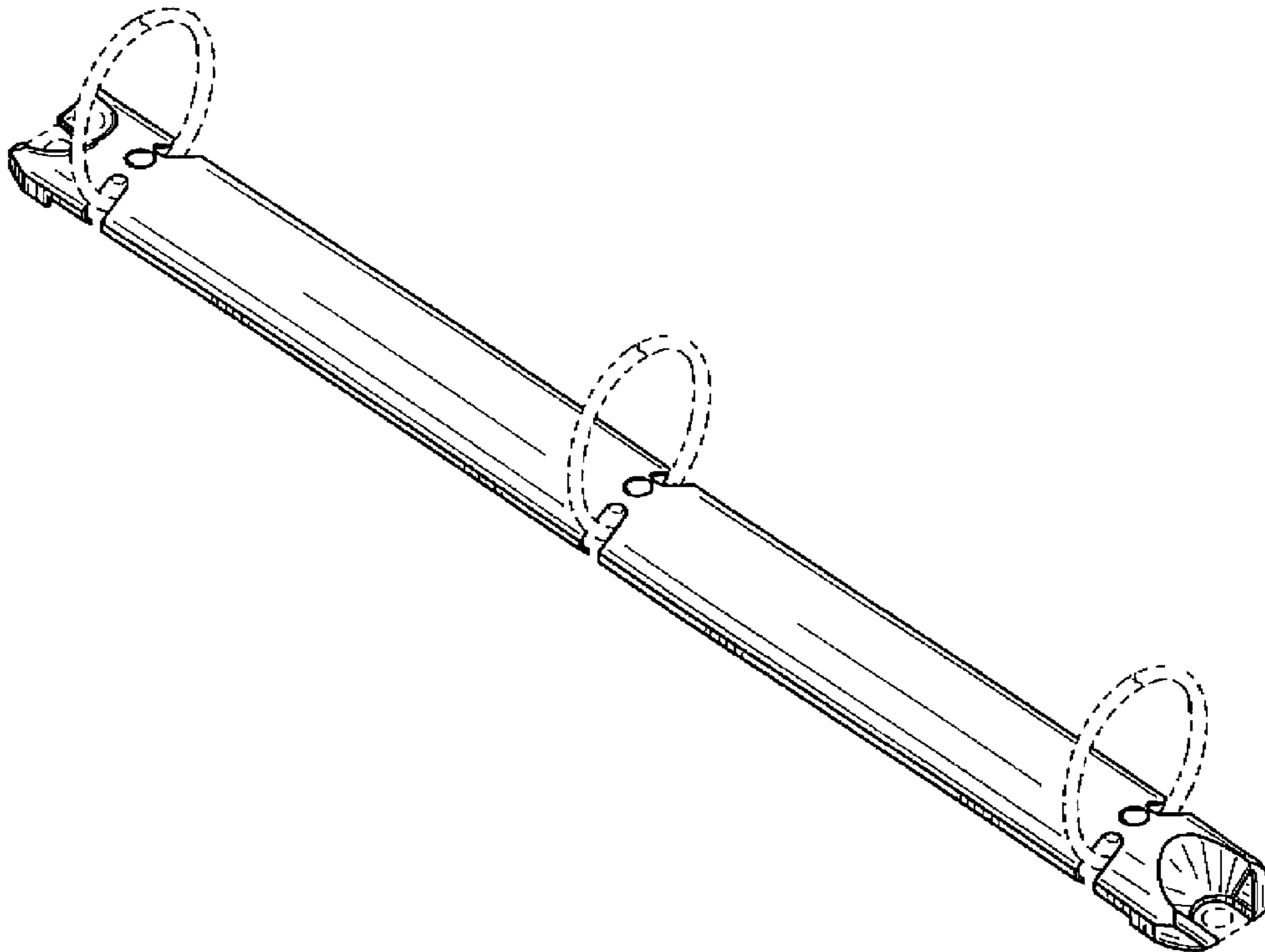
The broken line showing in FIGS. 1 through 7 is for illustrative purposes only and forms no part of the claimed design.

(56) **References Cited**

U.S. PATENT DOCUMENTS

1,997,447 A	*	4/1935	Birbaum	402/38
2,146,008 A	*	2/1939	Buenger	402/40
2,612,169 A	*	9/1952	Segal	402/38
2,673,564 A	*	3/1954	Derringer	402/38
3,101,719 A	*	8/1963	Vernon	402/38
3,404,685 A	*	10/1968	Vernon	402/41
D356,112 S	*	3/1995	Constantine	D19/32
D392,997 S	*	3/1998	Chan	D19/32
D392,998 S	*	3/1998	Chan	D19/32

1 Claim, 5 Drawing Sheets



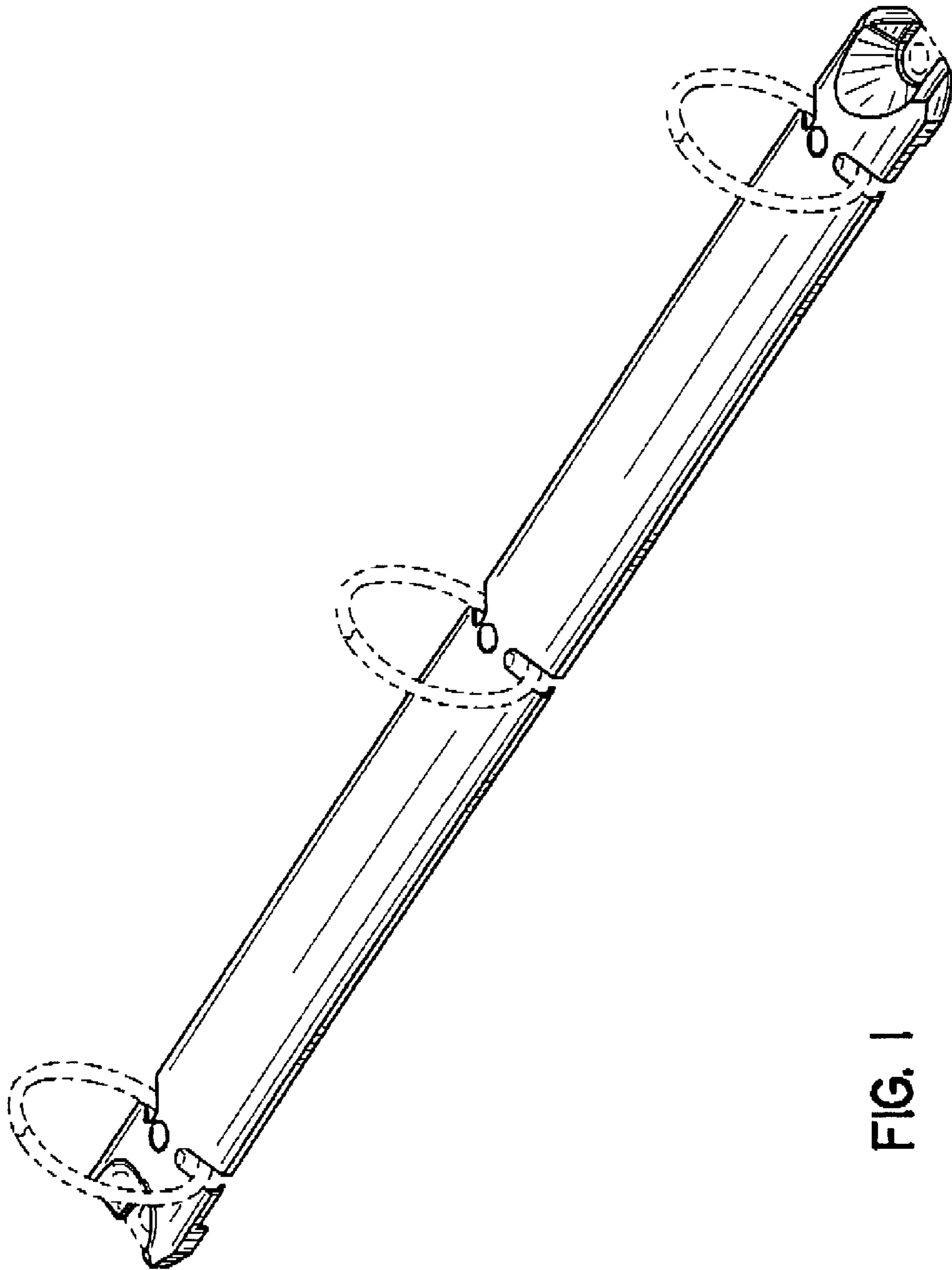


FIG. 1

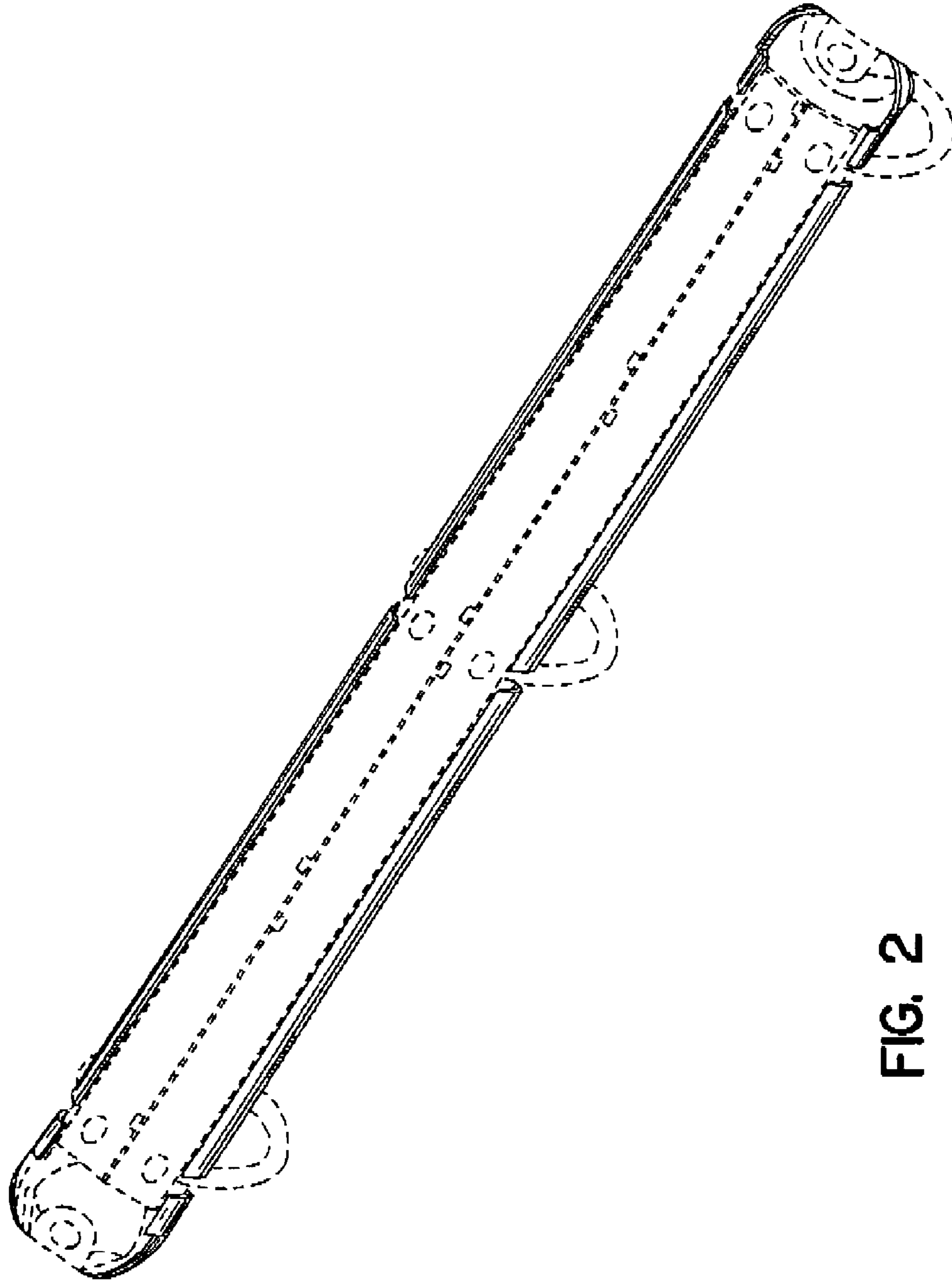


FIG. 2

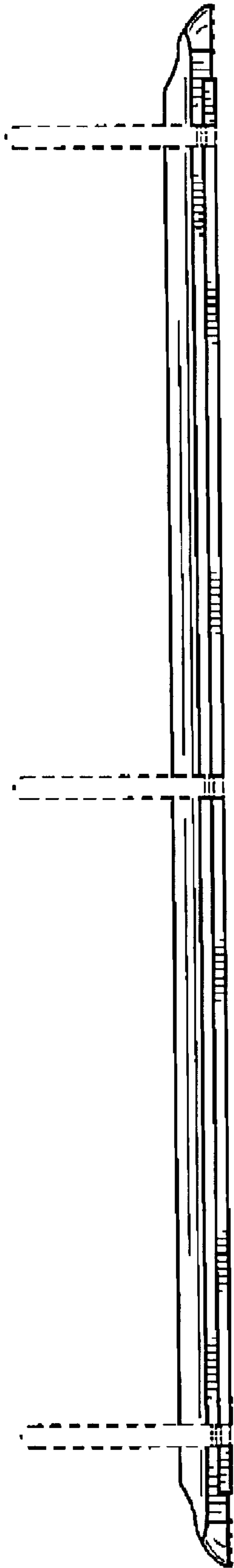


FIG. 3

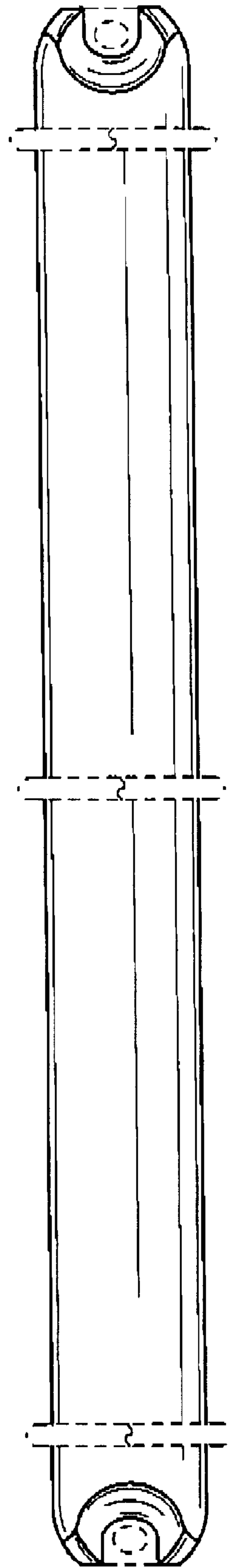


FIG. 4

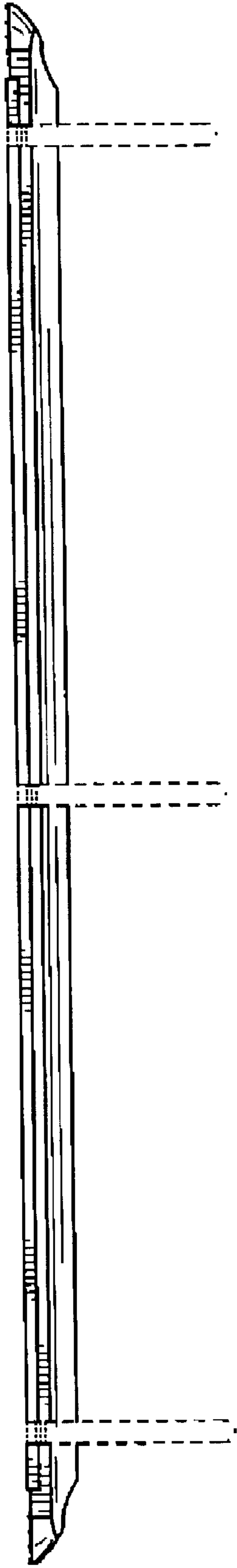


FIG. 5

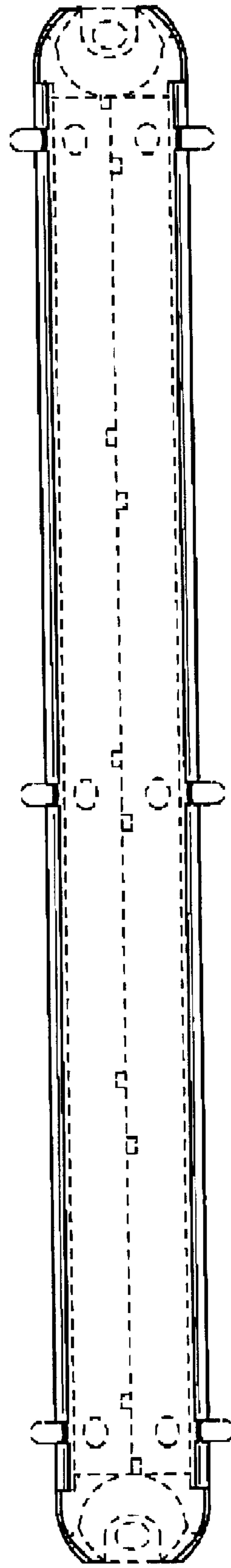


FIG. 6

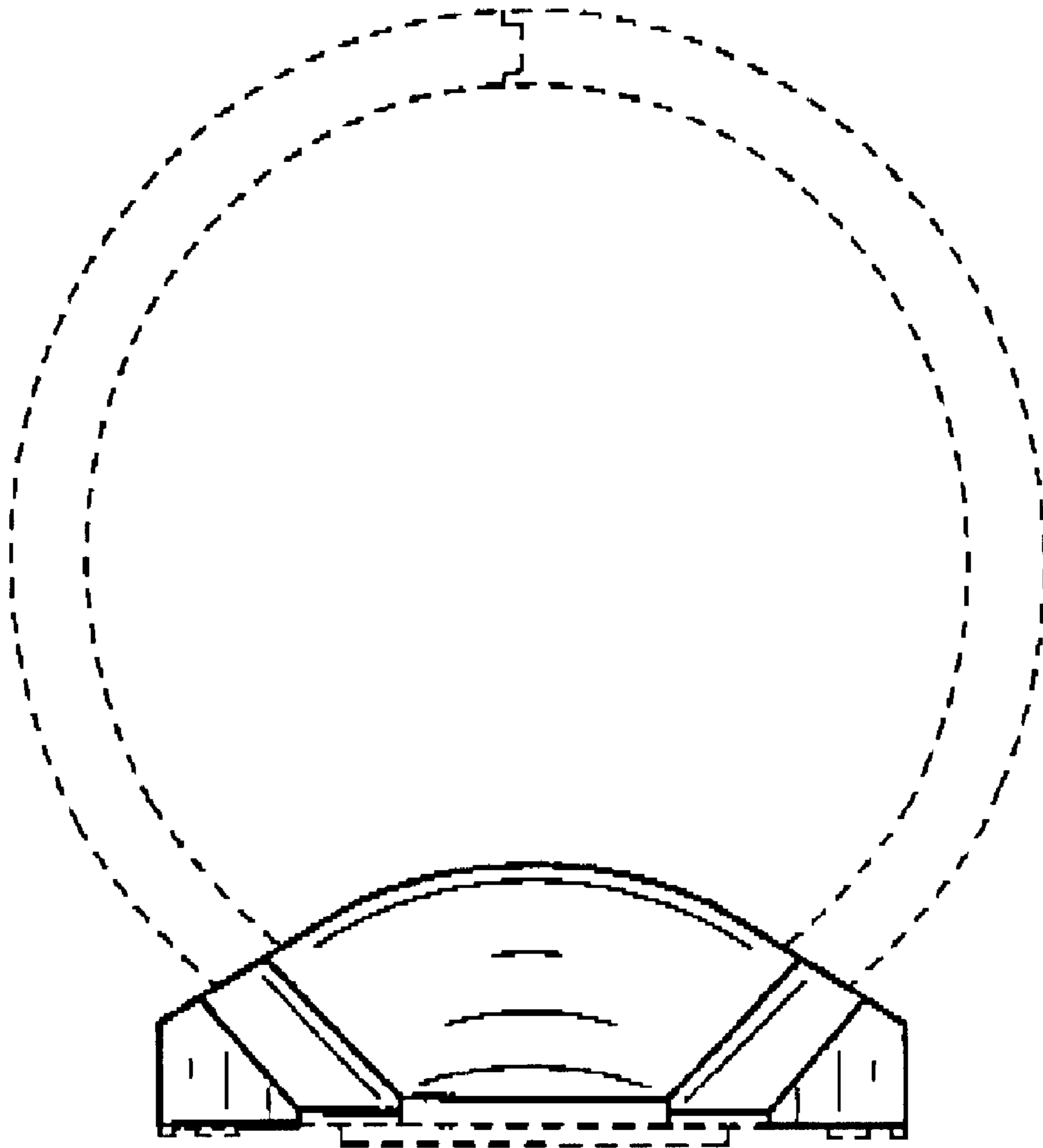


FIG. 7