



US00D468348S

(12) **United States Design Patent** (10) **Patent No.:** **US D468,348 S**
Nishikawa (45) **Date of Patent:** **** Jan. 7, 2003**

(54) **FILE**

(75) Inventor: **Tatsuo Nishikawa, Osaka (JP)**

(73) Assignee: **Faith Co., Ltd., Osaka (JP)**

(**) Term: **14 Years**

(21) Appl. No.: **29/141,357**

(22) Filed: **May 4, 2001**

(30) **Foreign Application Priority Data**

Nov. 10, 2000 (JP) 2000-032103
Nov. 10, 2000 (JP) 2000-032104

(51) **LOC (7) Cl.** **19-04**

(52) **U.S. Cl.** **D19/26; D19/86**

(58) **Field of Search** **D19/26-33, 86,**
D19/91; 281/15.1, 19.1, 21.1-27.1, 27.3,
29, 31, 33, 34, 44, 45, 51; 402/73-77, 80 R,
72

(56) **References Cited**

U.S. PATENT DOCUMENTS

2,159,612	A *	5/1939	Barrett	281/33
2,256,513	A *	9/1941	Bauer	281/33
2,883,209	A *	4/1959	Erickson	281/33
3,121,576	A *	2/1964	Schade	281/33
3,224,792	A *	12/1965	Vernon	281/33
4,015,863	A *	4/1977	Holum	281/33
4,355,821	A *	10/1982	Crawford	281/33
4,377,271	A *	3/1983	Smith	401/72 X
4,609,206	A *	9/1986	O'Brien	281/33
D341,160	S *	11/1993	Reiseneder	D19/27
6,234,533	B1 *	5/2001	Torimoto	281/33

* cited by examiner

Primary Examiner—**Martie K. Holtje**

(74) *Attorney, Agent, or Firm*—**Koda & Androlia**

(57) **CLAIM**

The ornamental design for a file, as shown and described.

DESCRIPTION

FIG. 1 is a front elevational plan view of a first embodiment of the file showing my new design;

FIG. 2 is a rear elevational view thereof with a book, not a part of the design, shown by dotted lines;

FIG. 3 is a top plan view thereof;

FIG. 4 is a bottom plan view thereof;

FIG. 5 is a left side elevational view thereof wherein the dashes indicate lines along which the corners of the files are bent, the right side elevational view being the mirror image of the left side elevational view;

FIG. 6 is a front elevational view of the file according to the first embodiment of the design with the file opened and the book rest, a part of the design, standing upright;

FIG. 7 is a rear elevational view thereof with a book, not a part of the design, shown by dotted lines;

FIG. 8 is a top plan view thereof;

FIG. 9 is a bottom plan view thereof;

FIG. 10 is a left side elevational view thereof;

FIG. 11 is a perspective view thereof taken from the front, top and the left side;

FIG. 12 is a front elevational plan view of a second embodiment of the file showing my new design;

FIG. 13 is a rear elevational view thereof with a book, not a part of the design, shown by dotted lines;

FIG. 14 is a top plan view thereof;

FIG. 15 is a bottom plan view thereof;

FIG. 16 is a left side elevational view thereof wherein the dashes indicate lines along which the corners of the files are bent, the right side elevational view being the mirror image of the left side elevational view;

FIG. 17 is a front elevational view of the file according to the second embodiment of the design with the file opened and the book rest, a part of the design, standing upright;

FIG. 18 is a rear elevational view thereof with a book, not a part of the design, shown by dotted lines;

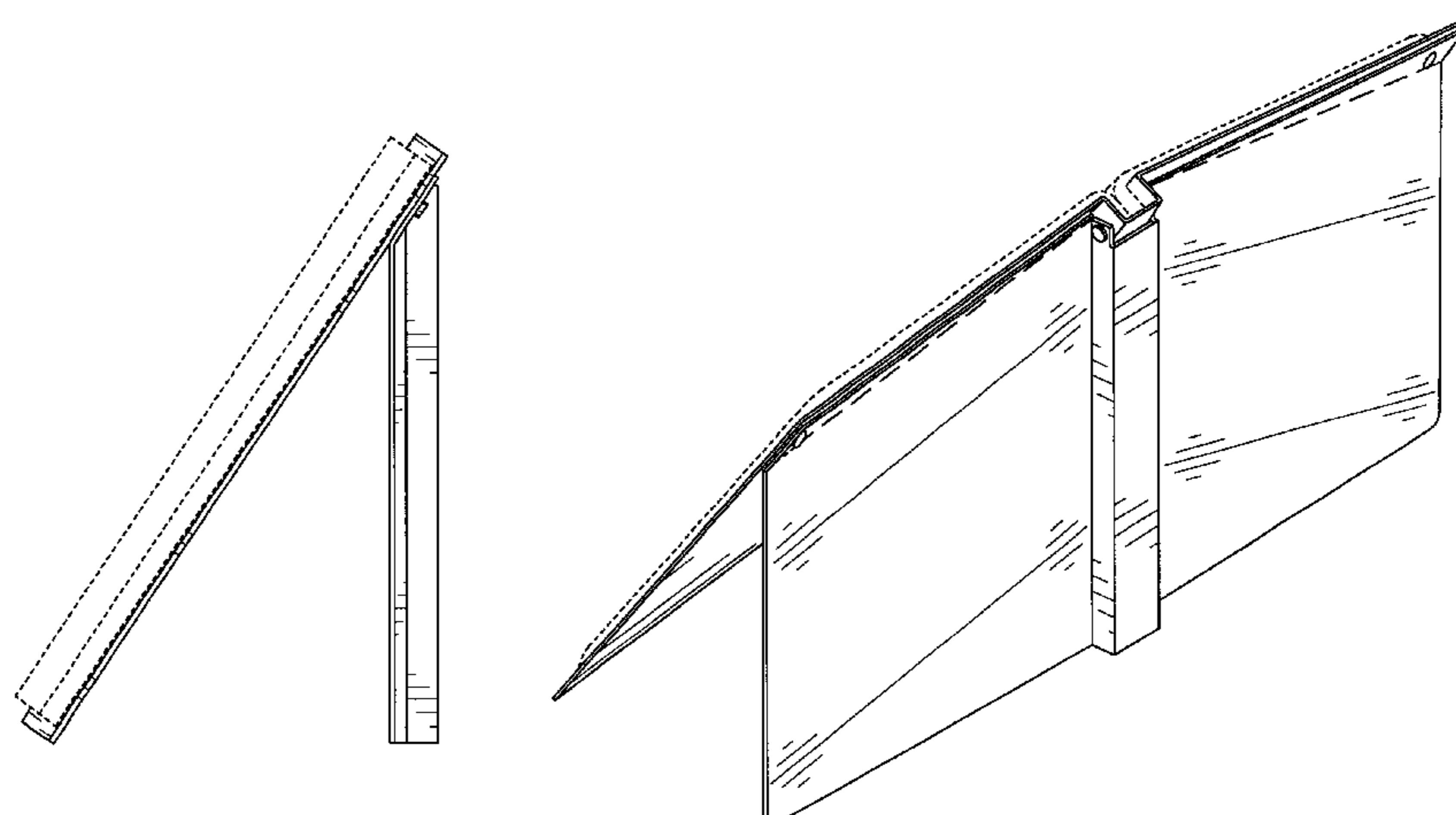
FIG. 19 is a top plan view thereof;

FIG. 20 is a bottom plan view thereof;

FIG. 21 is a left side elevational view thereof; and,

FIG. 22 is a perspective view thereof taken from the front, top and the left side.

1 Claim, 12 Drawing Sheets



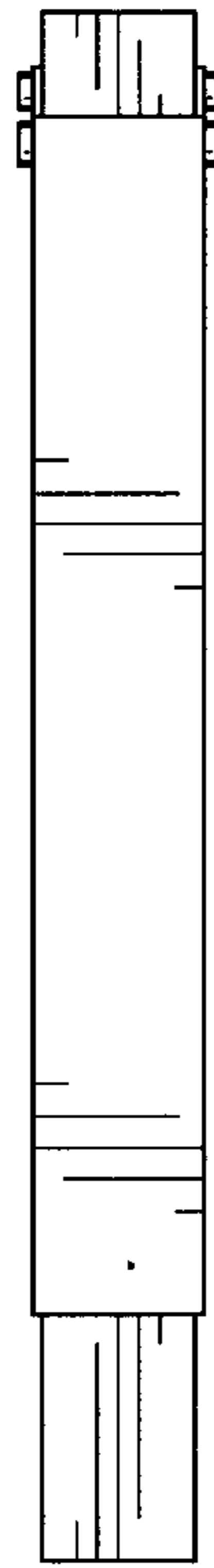


FIG. 1

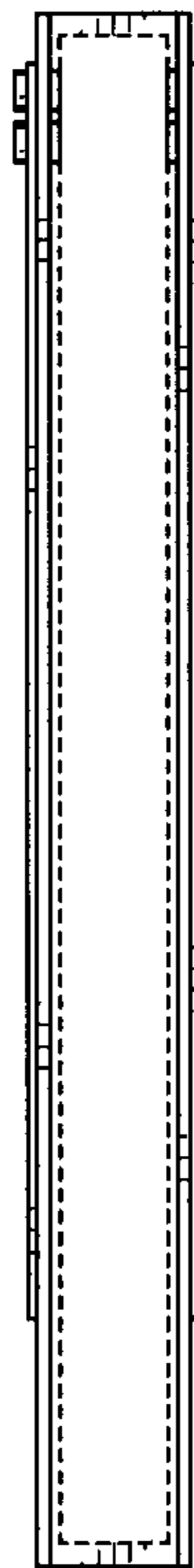


FIG. 2

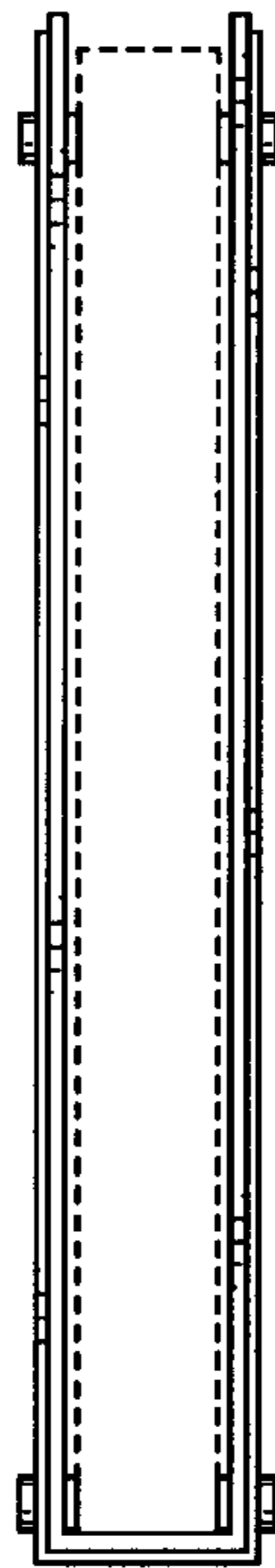


FIG. 3

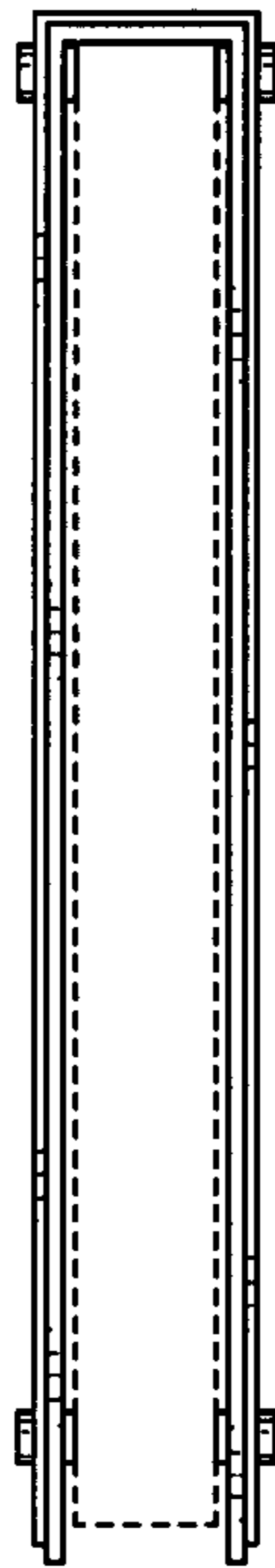


FIG. 4

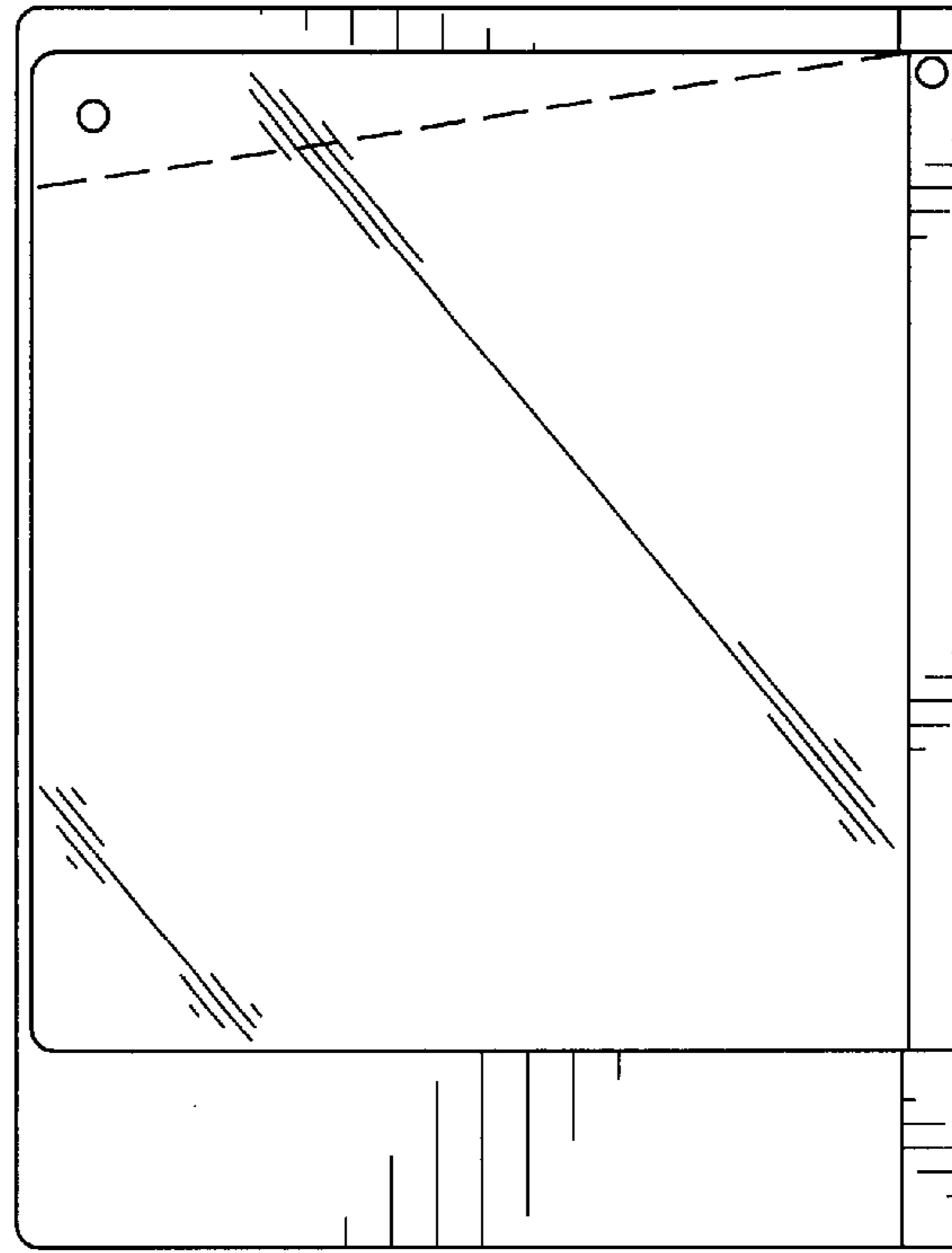


FIG. 5

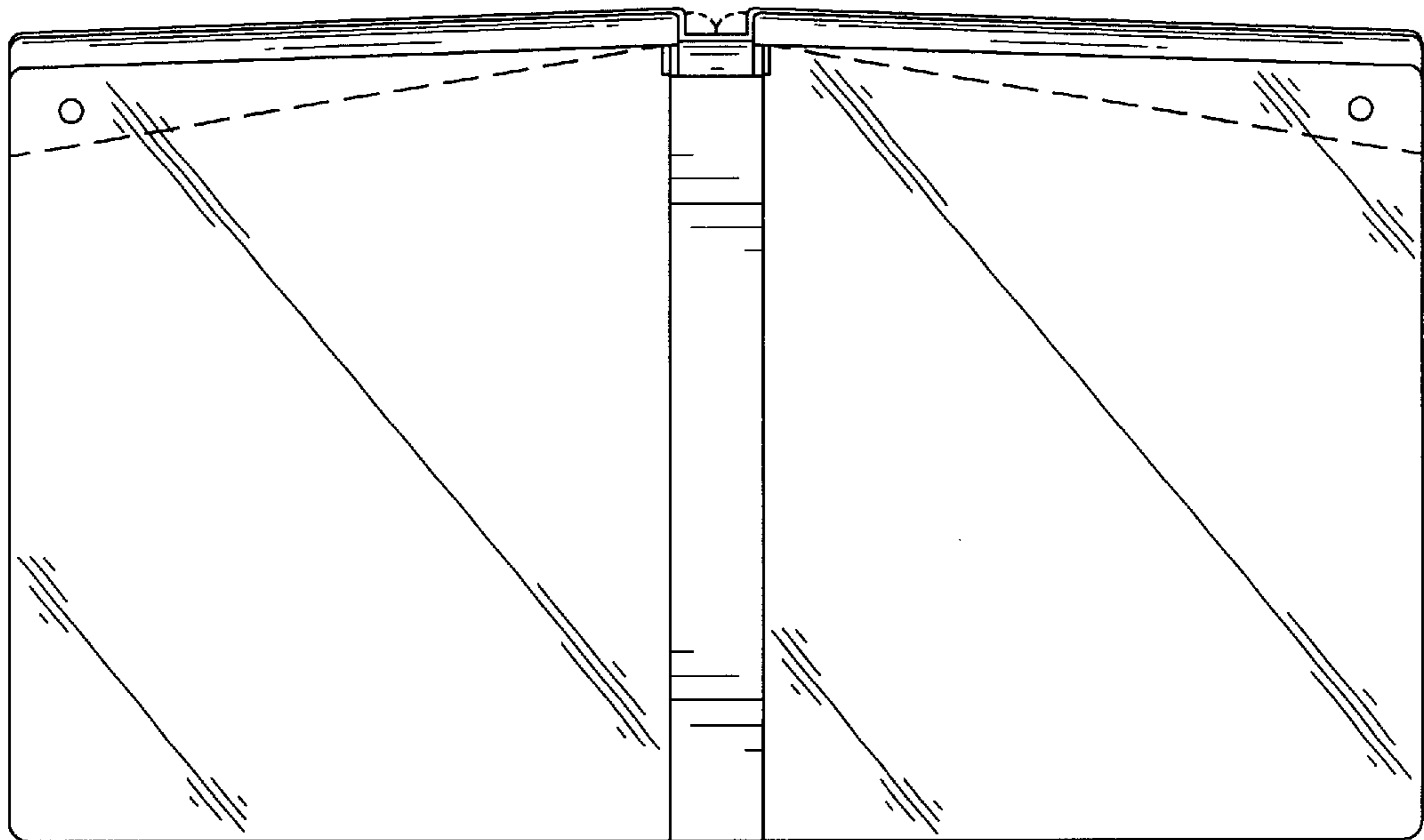


FIG. 6

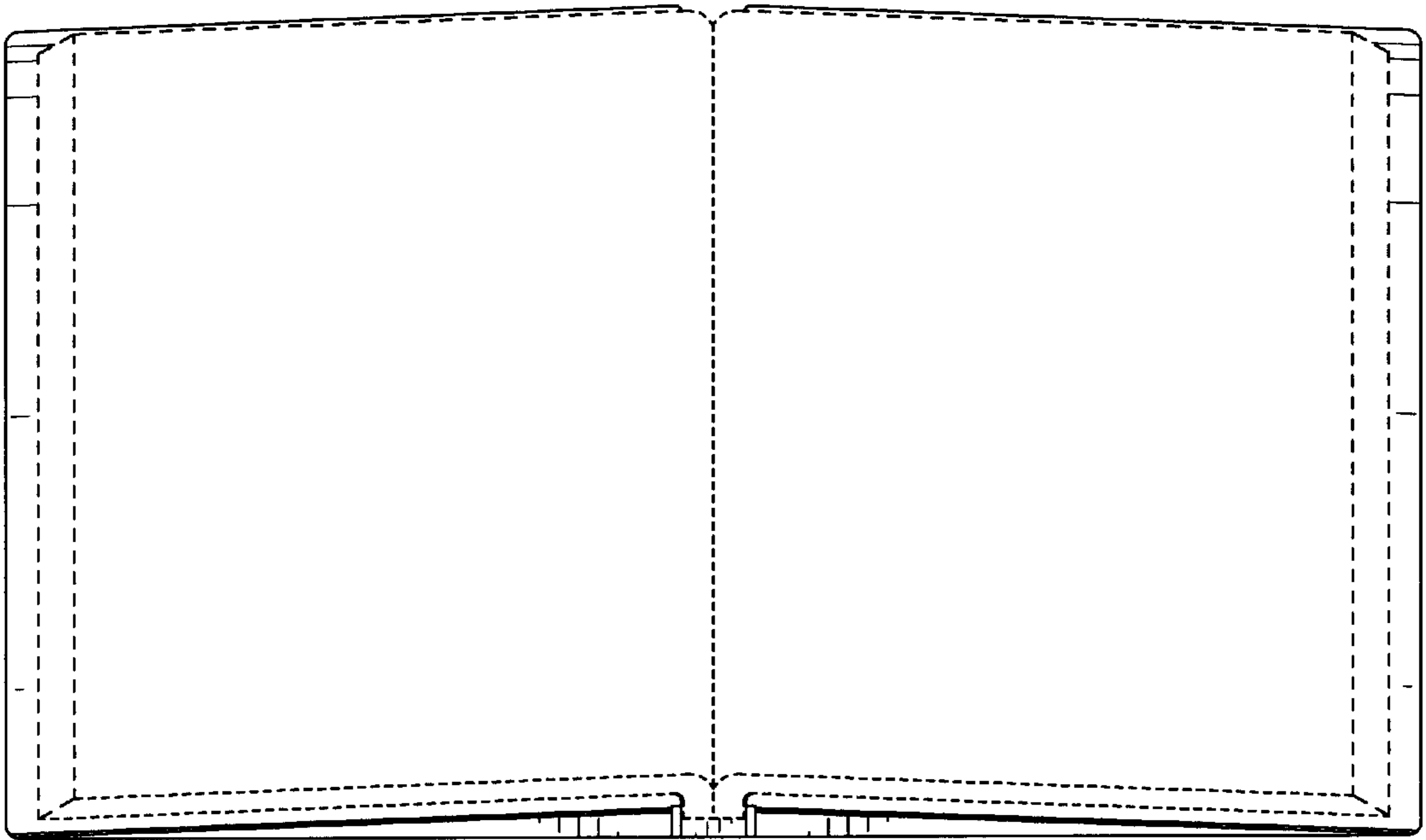


FIG. 7

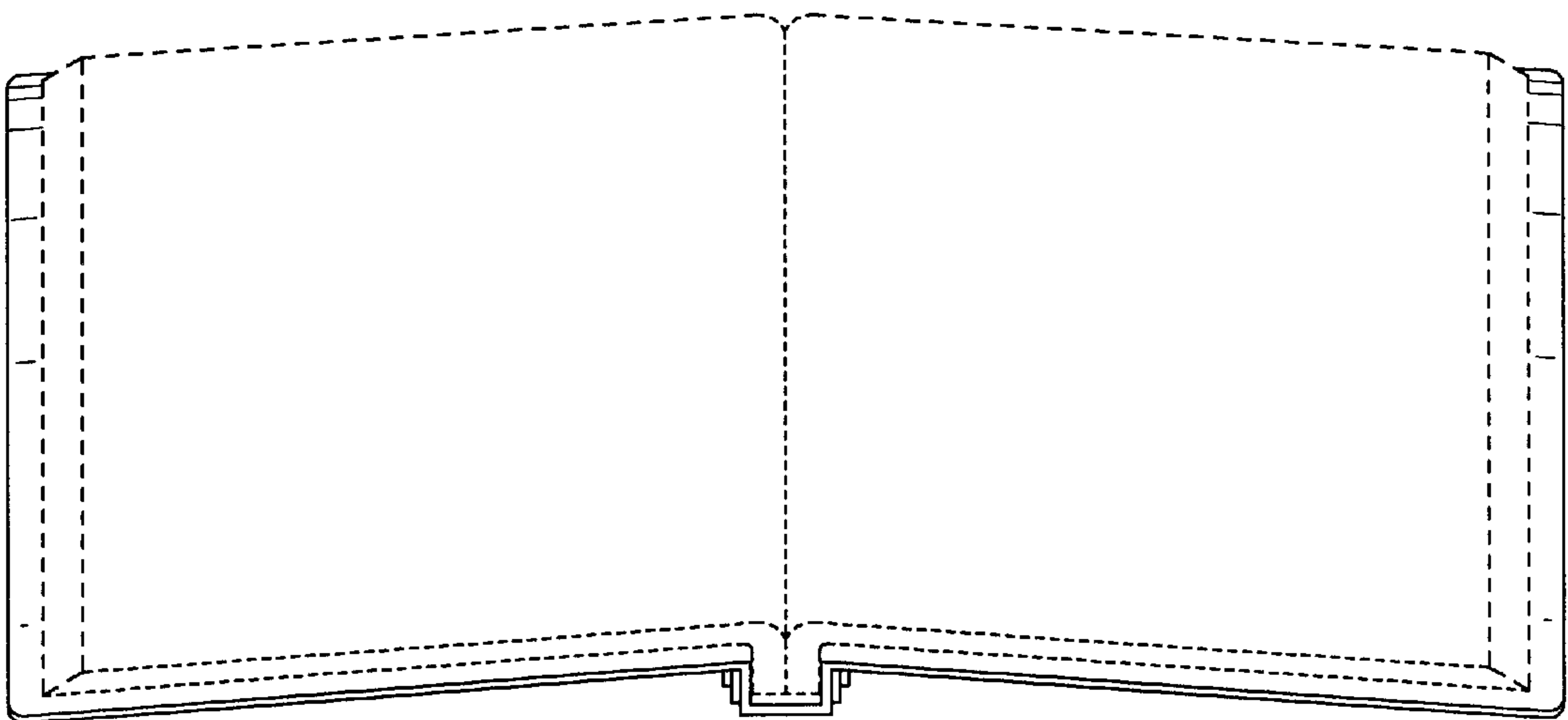


FIG. 8

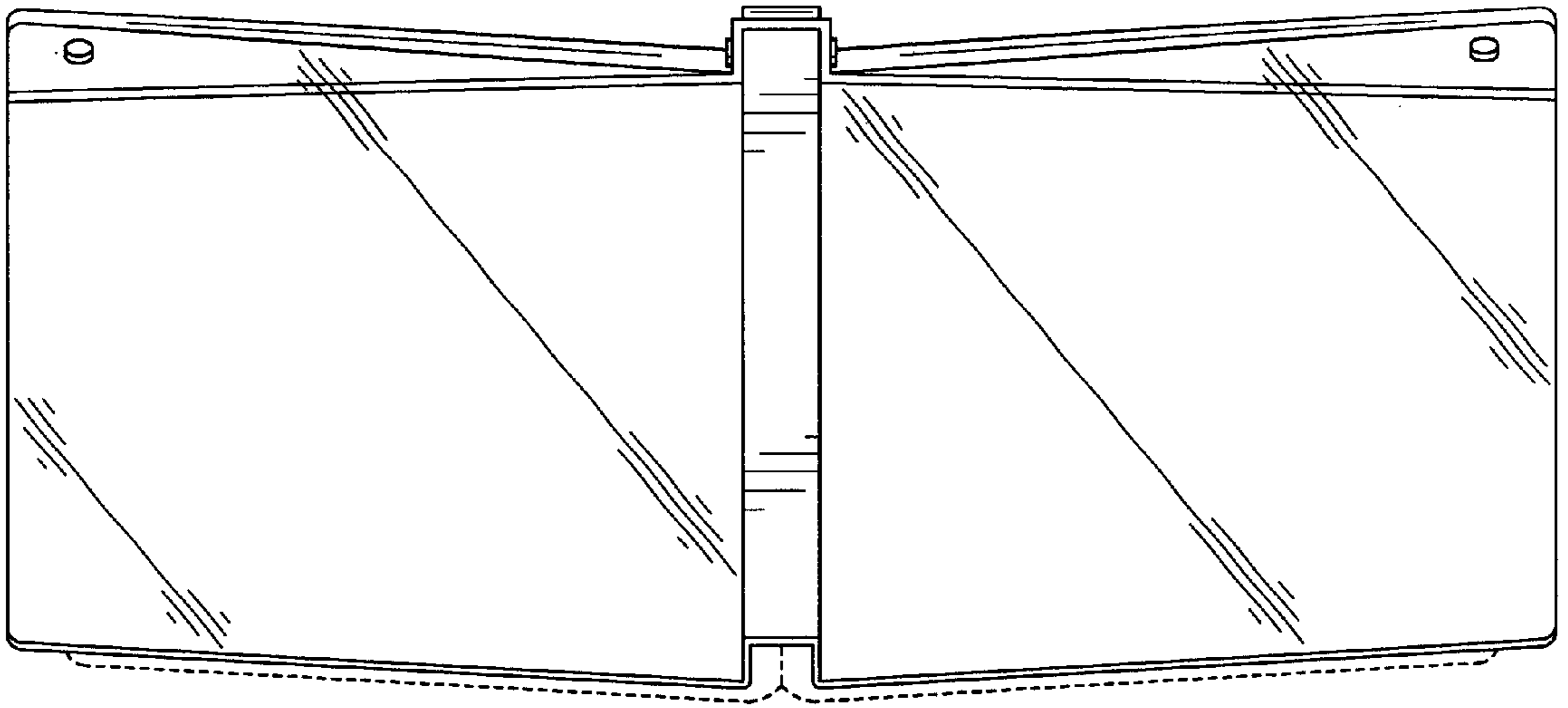


FIG. 9

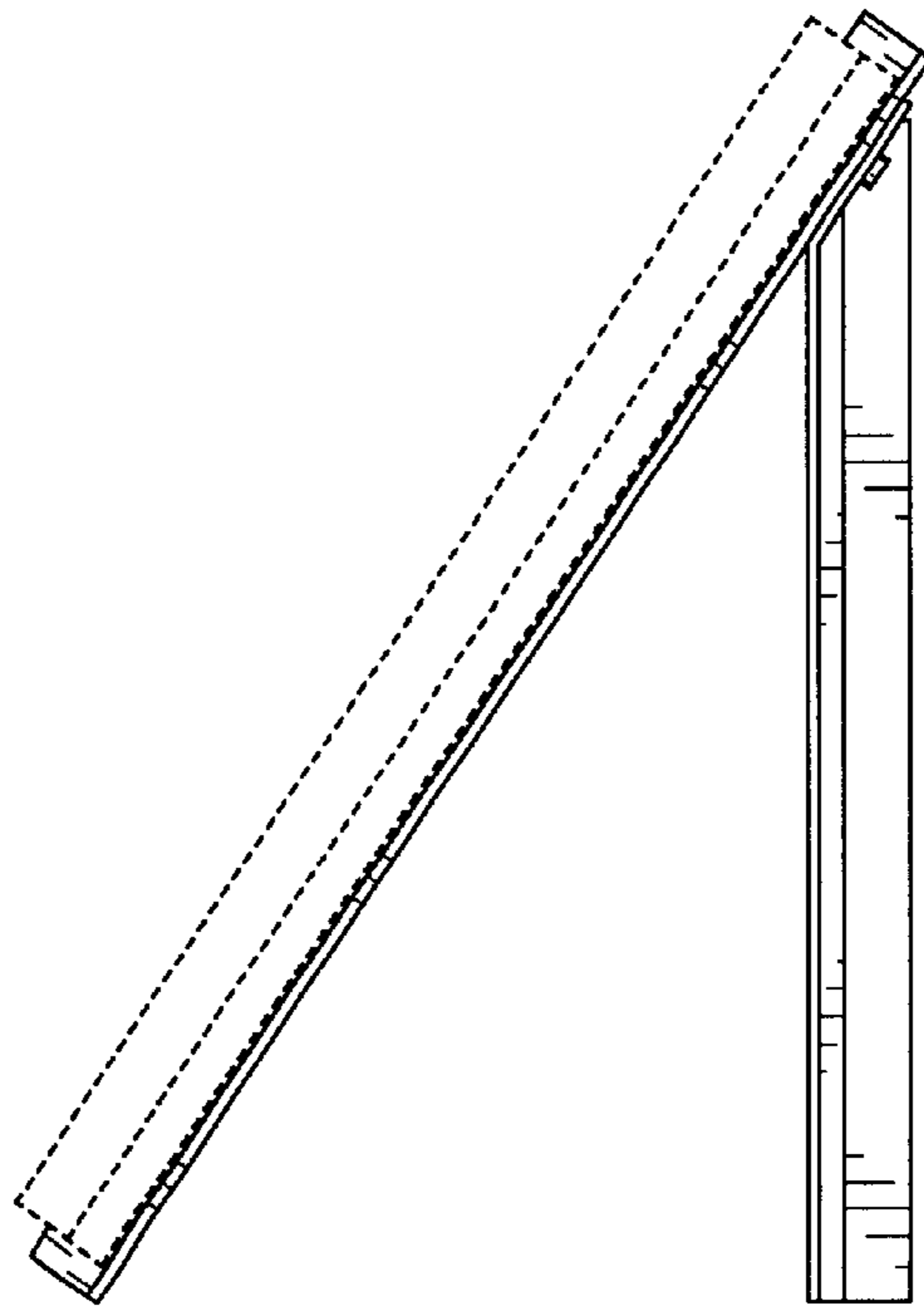


FIG. 10

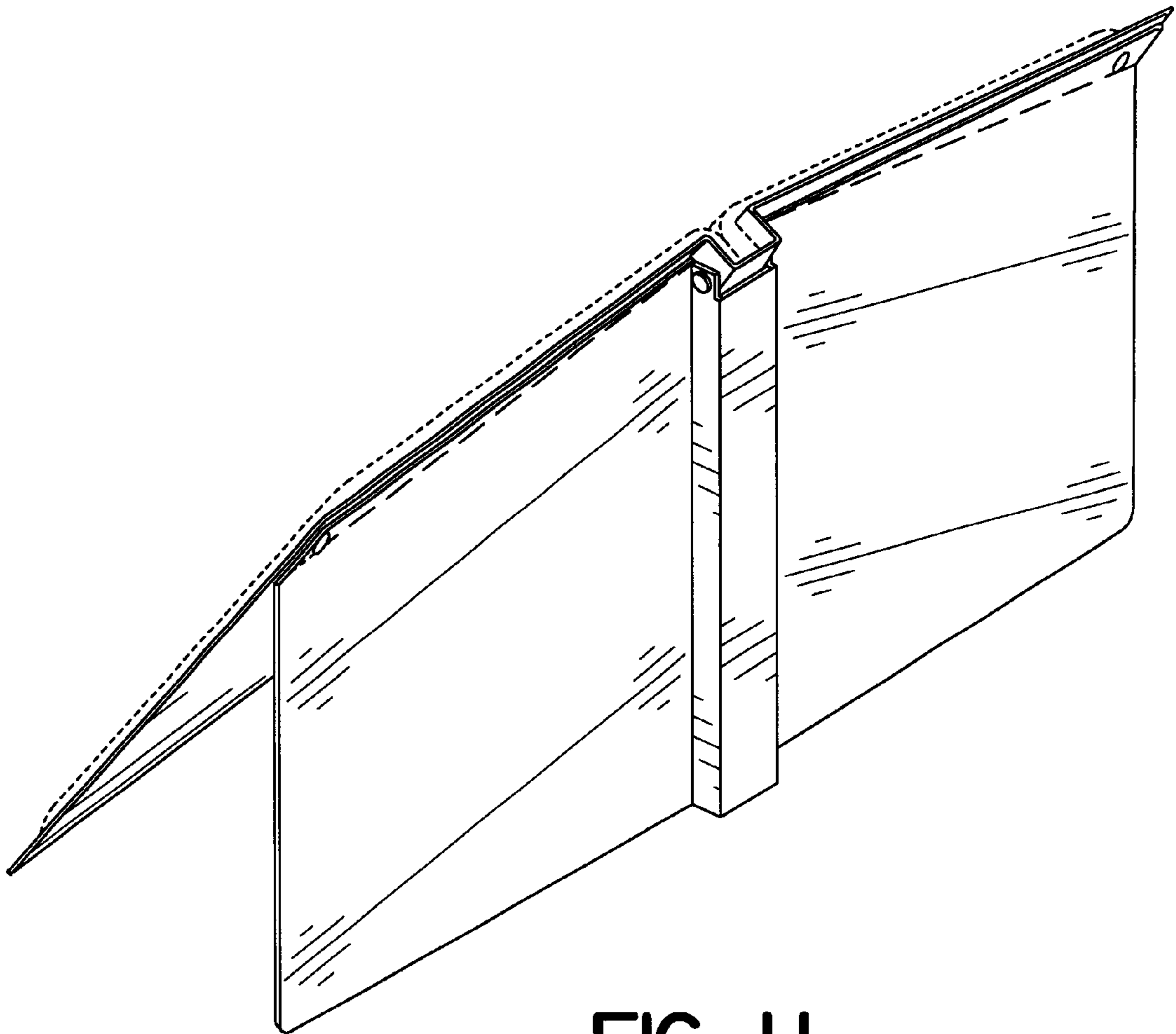


FIG. 11

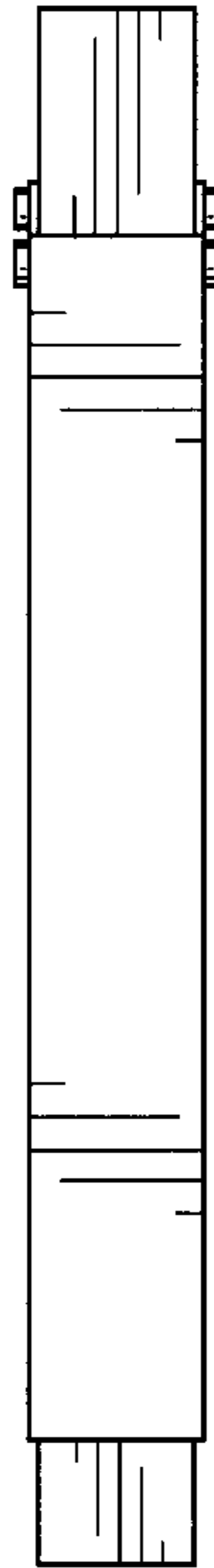


FIG. 12

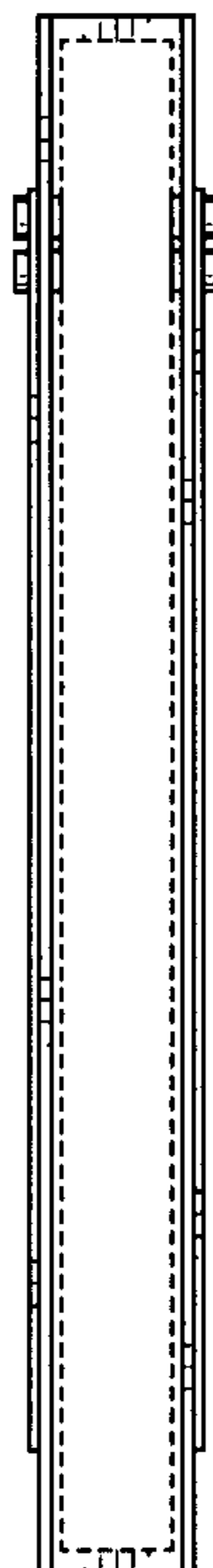


FIG. 13

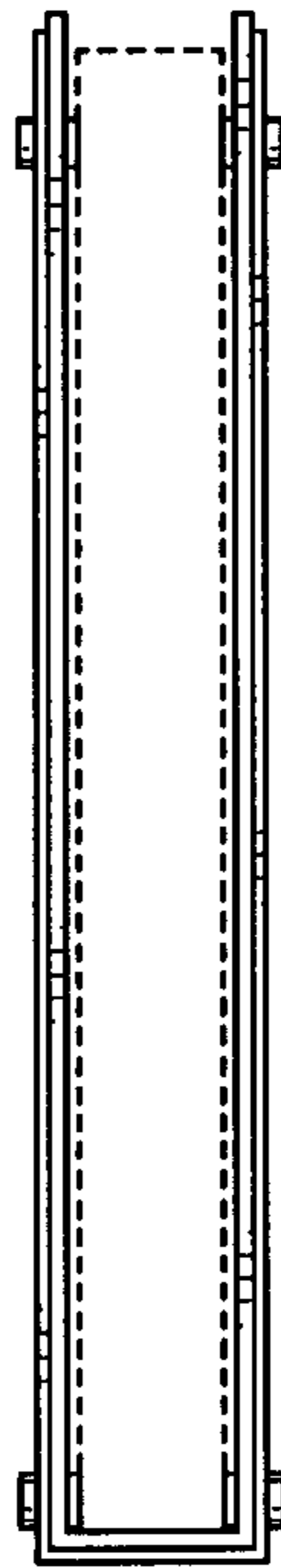


FIG. 14

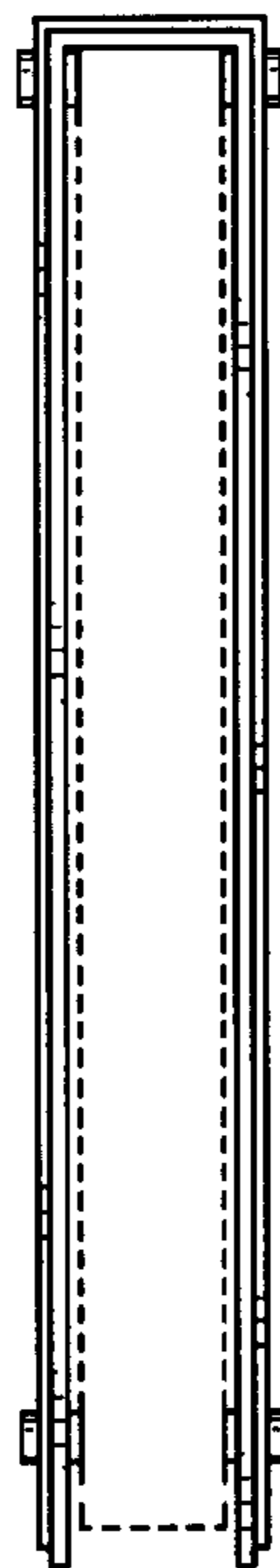


FIG. 15

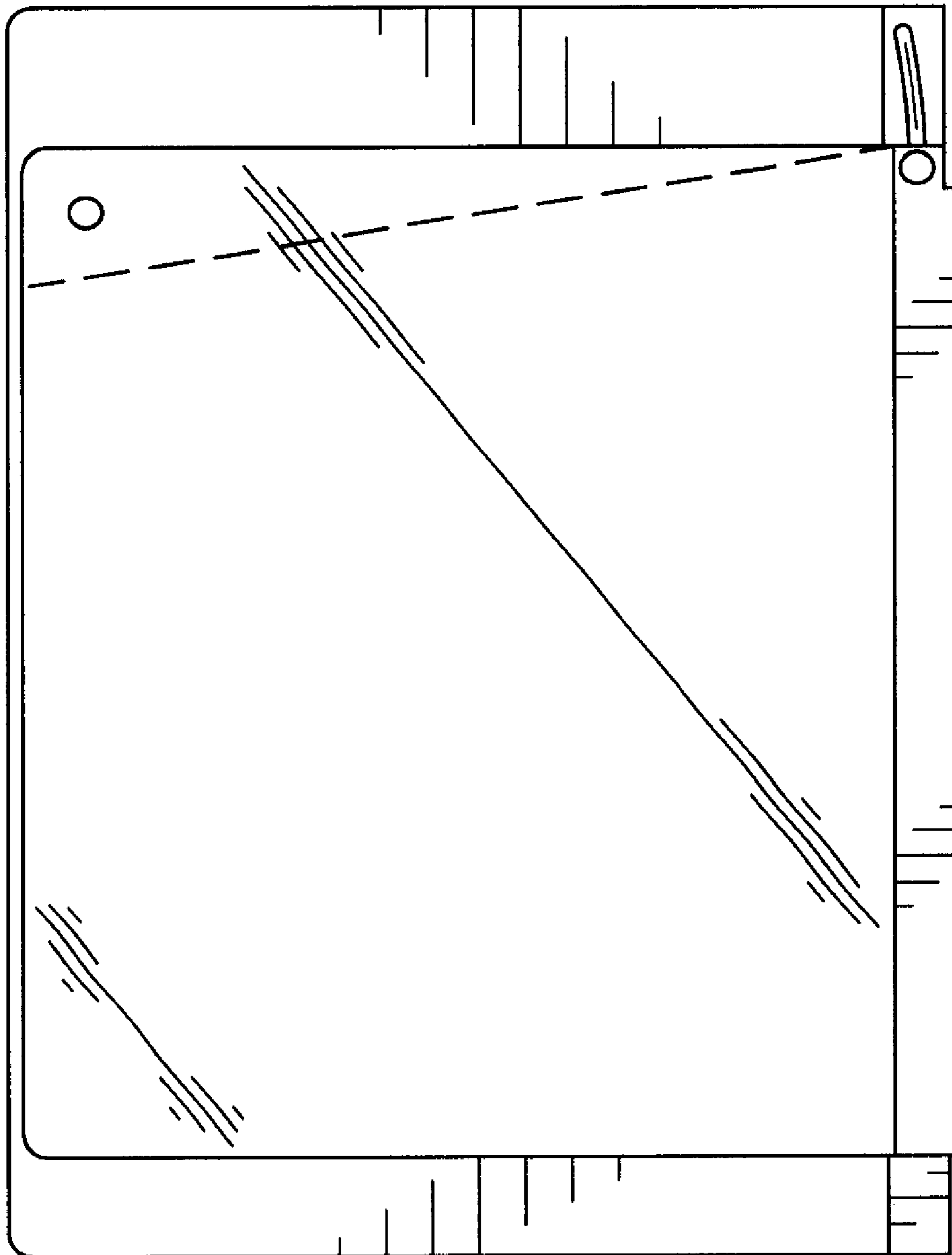


FIG. 16

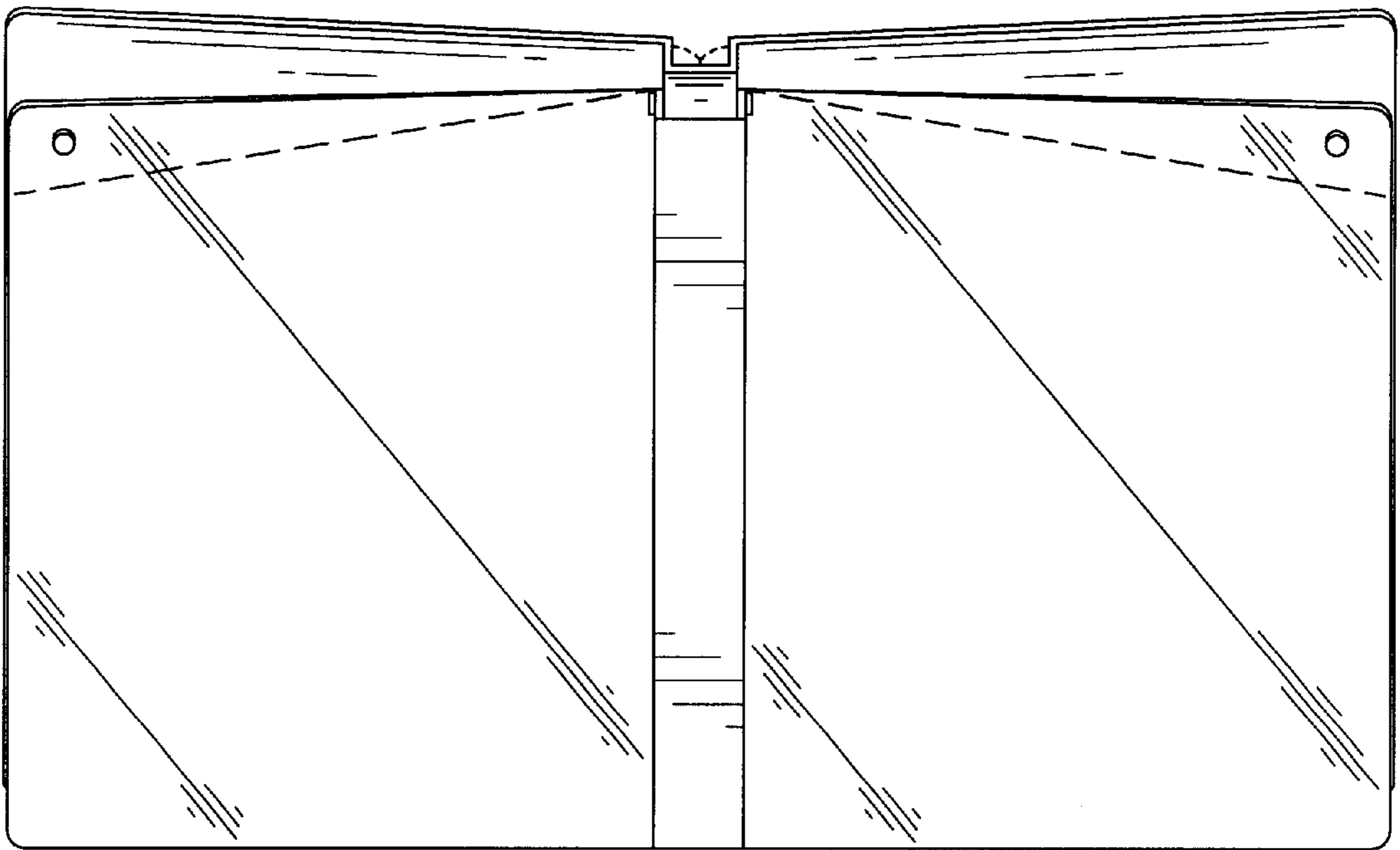


FIG. 17

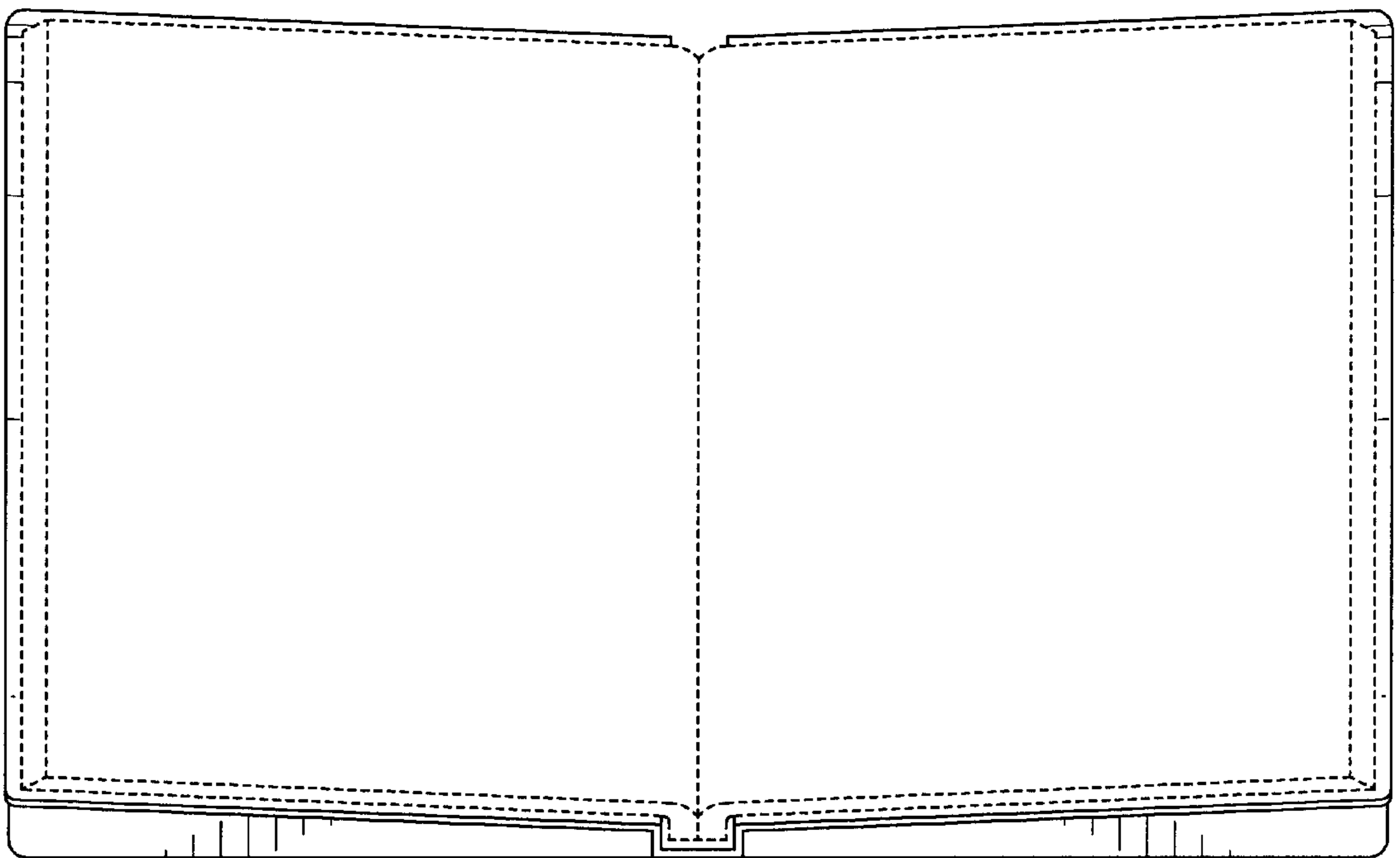


FIG. 18

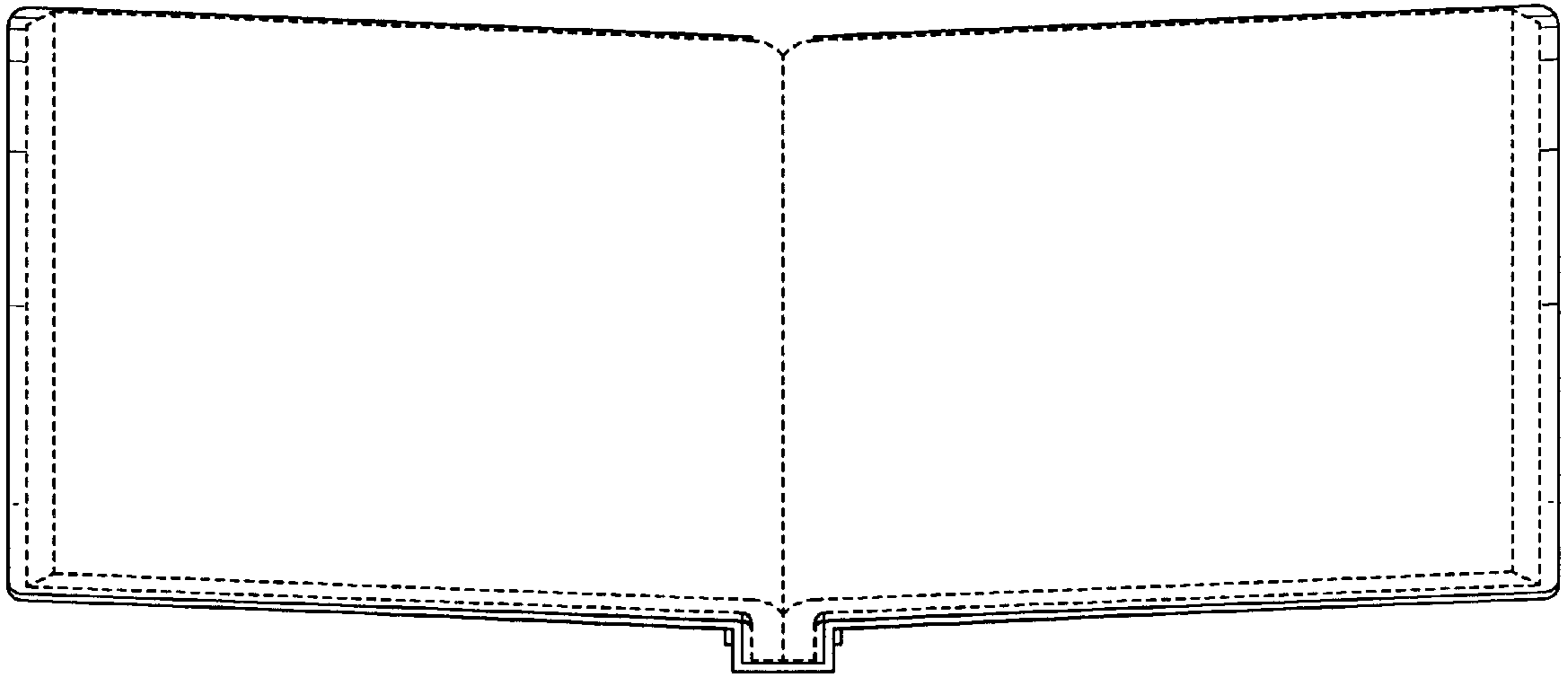


FIG. 19

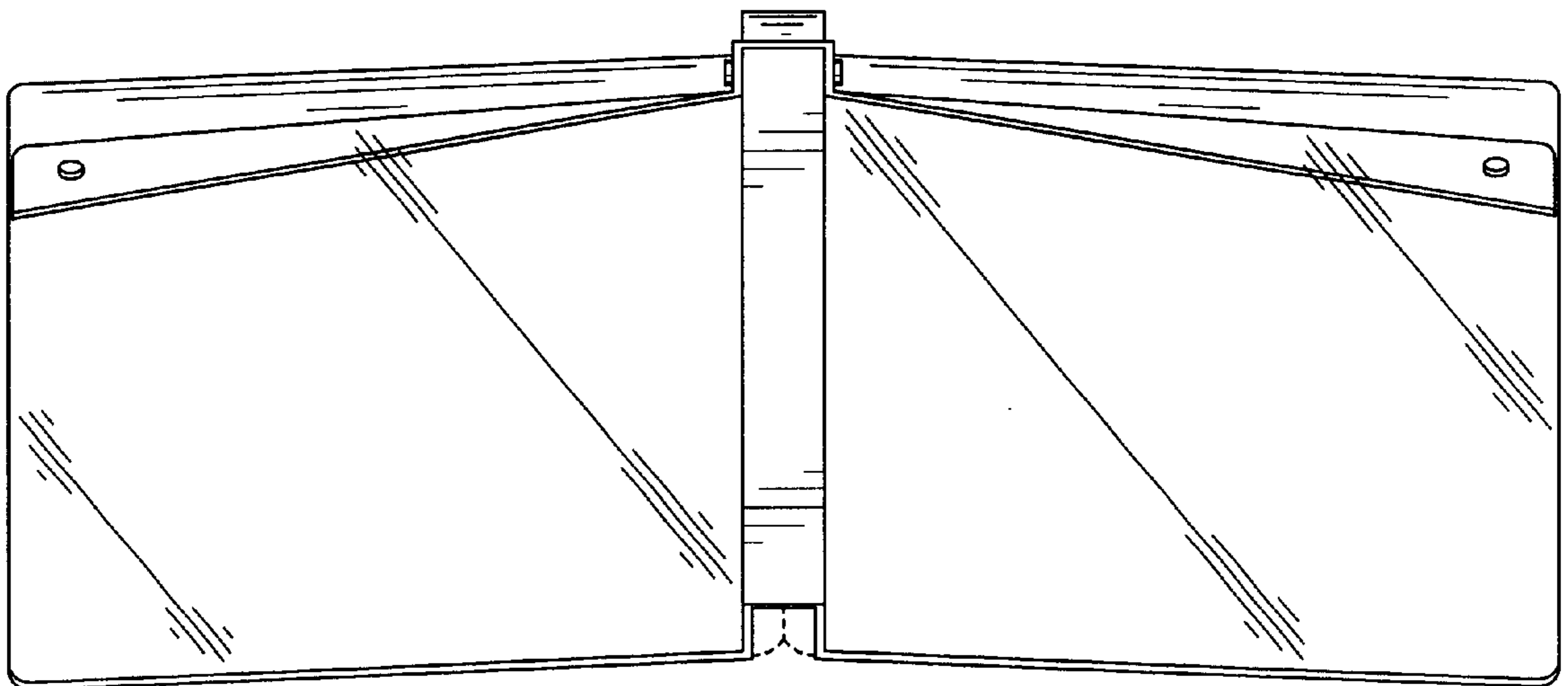


FIG. 20

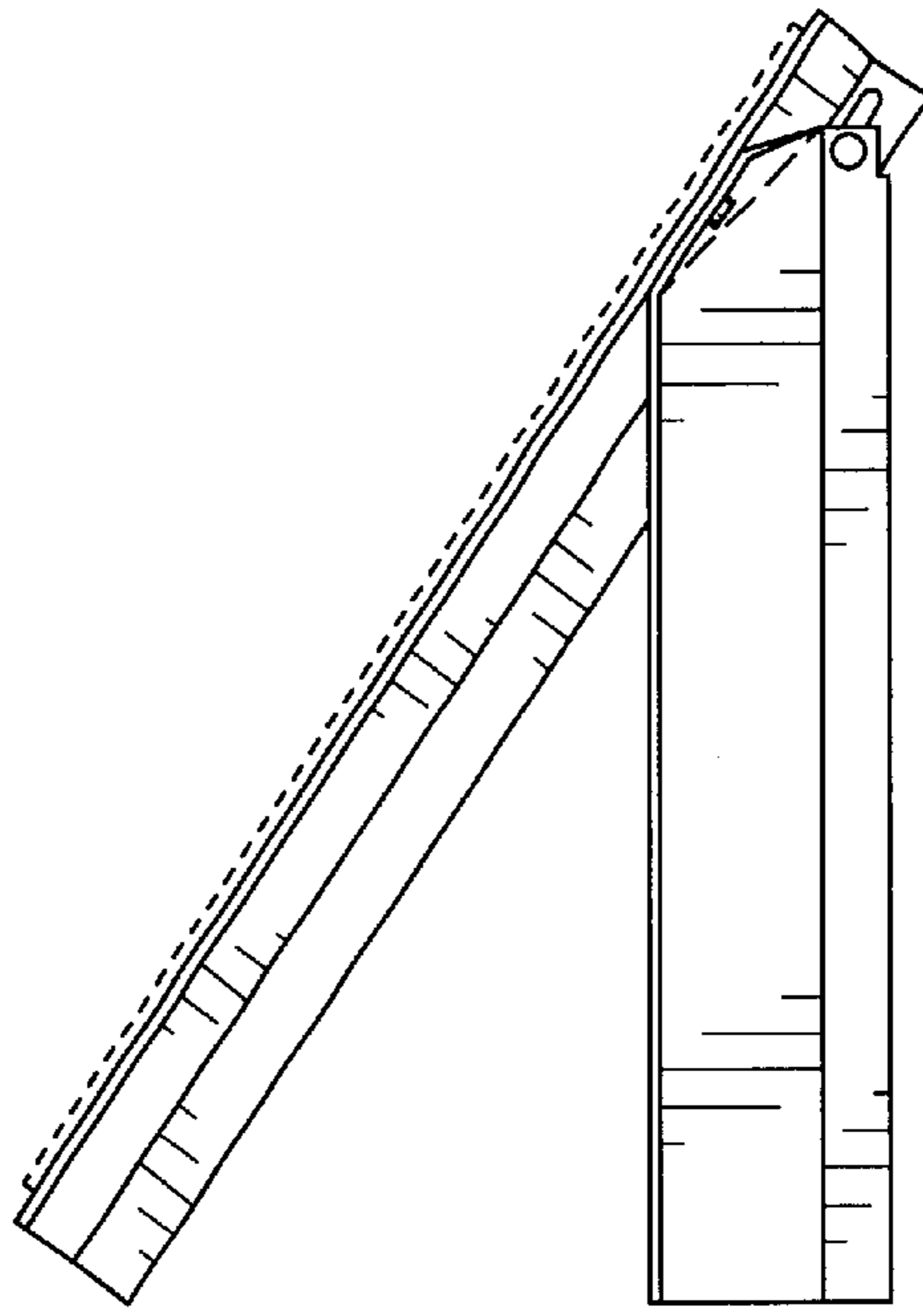


FIG. 21

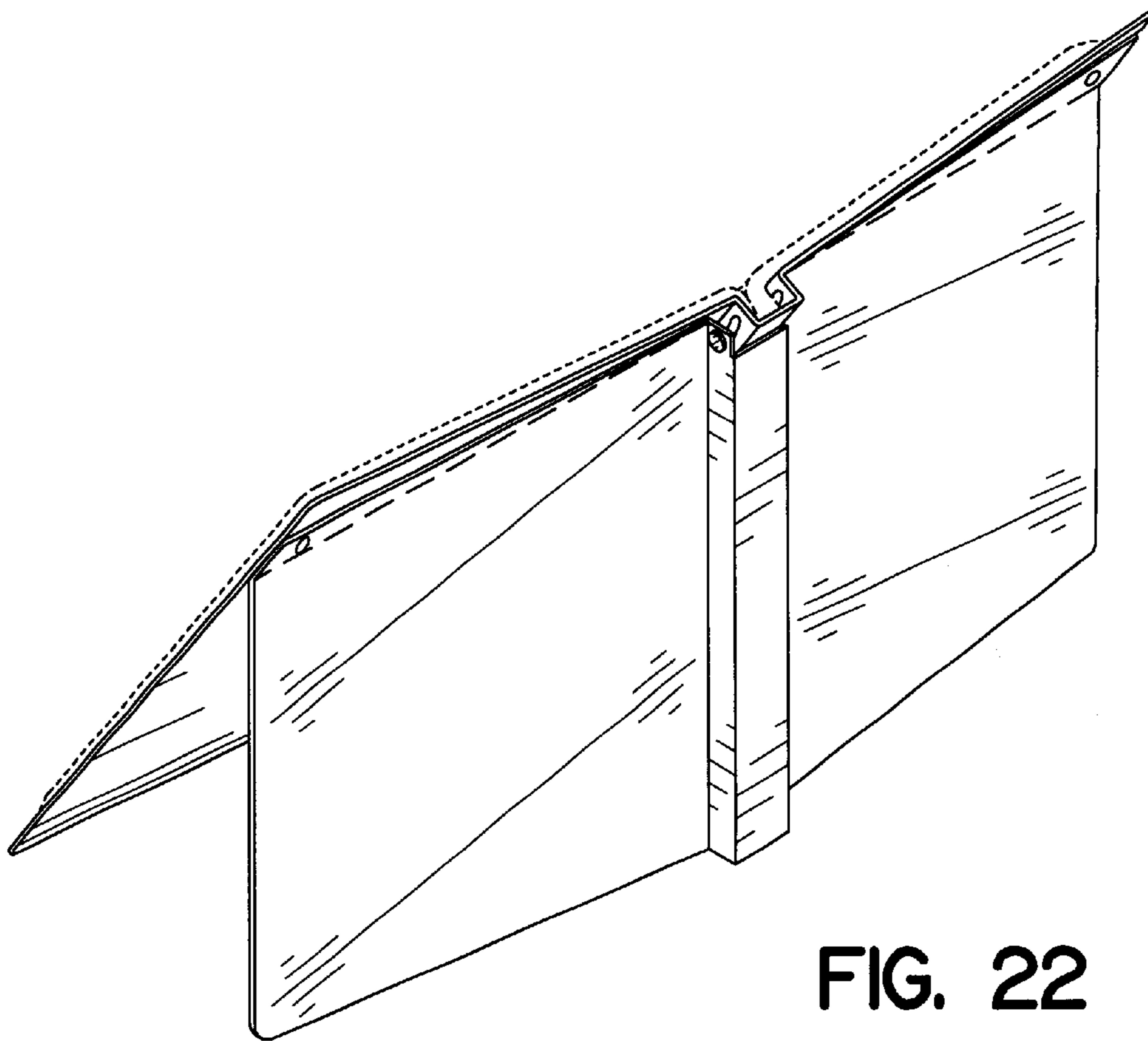


FIG. 22