



US00D468345S

(12) **United States Design Patent**  
**Tanaka et al.**

(10) **Patent No.:** **US D468,345 S**

(45) **Date of Patent:** **\*\* Jan. 7, 2003**

(54) **TONER CARTRIDGE**

D451,537 S \* 12/2001 Ozawa et al. .... D18/40

(75) Inventors: **Shuuji Tanaka**, Kanagawa (JP);  
**Akiyoshi Tanaka**, Kanagawa (JP);  
**Shinji Tamaki**, Tokyo (JP); **Takaaki**  
**Tawada**, Kanagawa (JP)

\* cited by examiner

*Primary Examiner*—Caron D. Veynar  
(74) *Attorney, Agent, or Firm*—Dickstein Shapiro Morin &  
Oshinsky LLP

(73) Assignee: **Ricoh Company, Ltd.**, Tokyo (JP)

(\*\*) Term: **14 Years**

(57) **CLAIM**

The ornamental design for a toner cartridge, as shown.

(21) Appl. No.: **29/156,182**

(22) Filed: **Feb. 26, 2002**

**DESCRIPTION**

(30) **Foreign Application Priority Data**

Aug. 31, 2001 (JP) ..... 2001-025649

(51) **LOC (7) Cl.** ..... **16-03**

(52) **U.S. Cl.** ..... **D18/43**

(58) **Field of Search** ..... D18/40, 43, 56;  
399/24-28, 262; 222/DIG. 1

FIG. 1 is a front elevation of a toner cartridge;  
FIG. 2 is a rear elevation thereof;  
FIG. 3 is a top plan view thereof;  
FIG. 4 is a bottom plan view thereof;  
FIG. 5 is a right side elevation thereof;  
FIG. 6 is a left side elevation thereof; and,  
FIG. 7 is a top, front and right side perspective view thereof.

(56) **References Cited**

**U.S. PATENT DOCUMENTS**

D394,083 S \* 5/1998 Jyoroku ..... D18/43

**1 Claim, 4 Drawing Sheets**

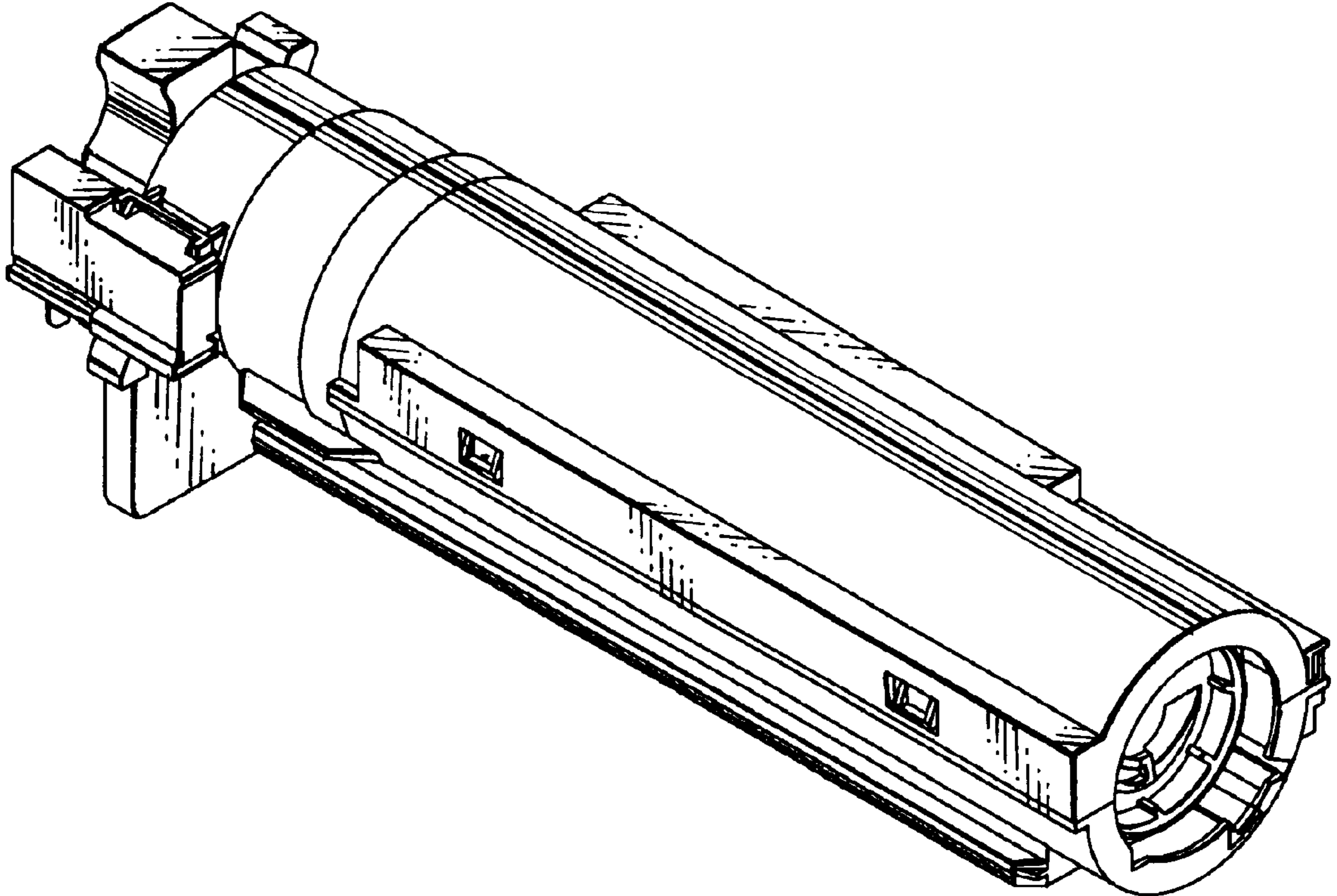


FIG. 1

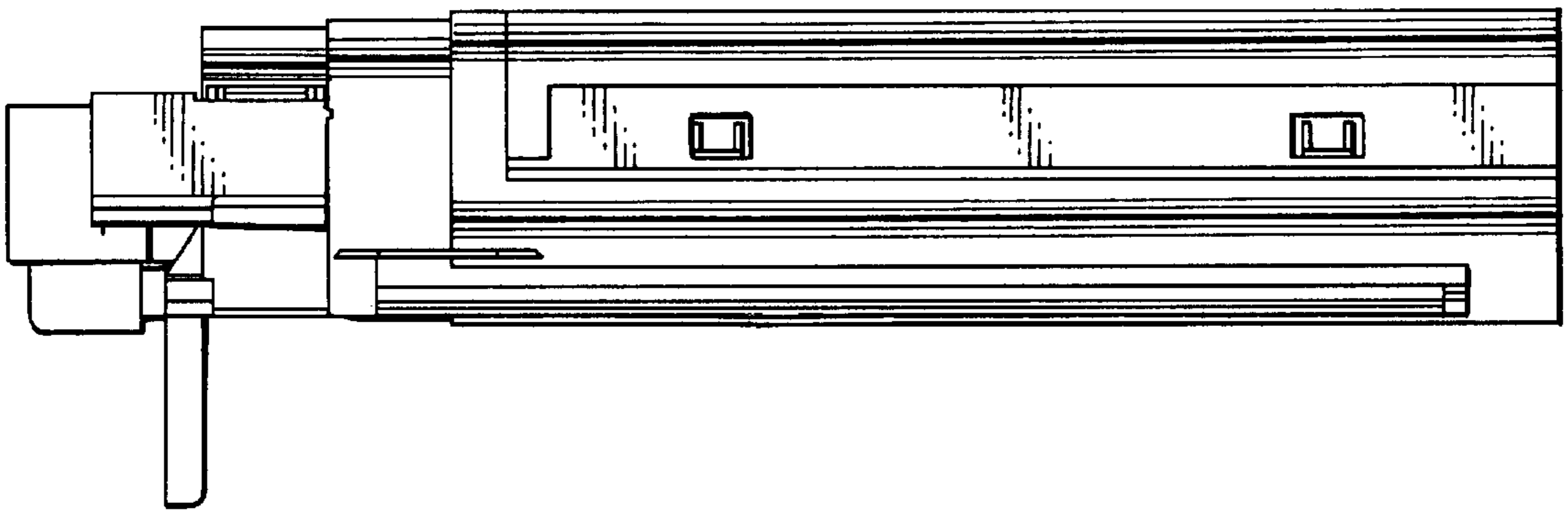


FIG. 2

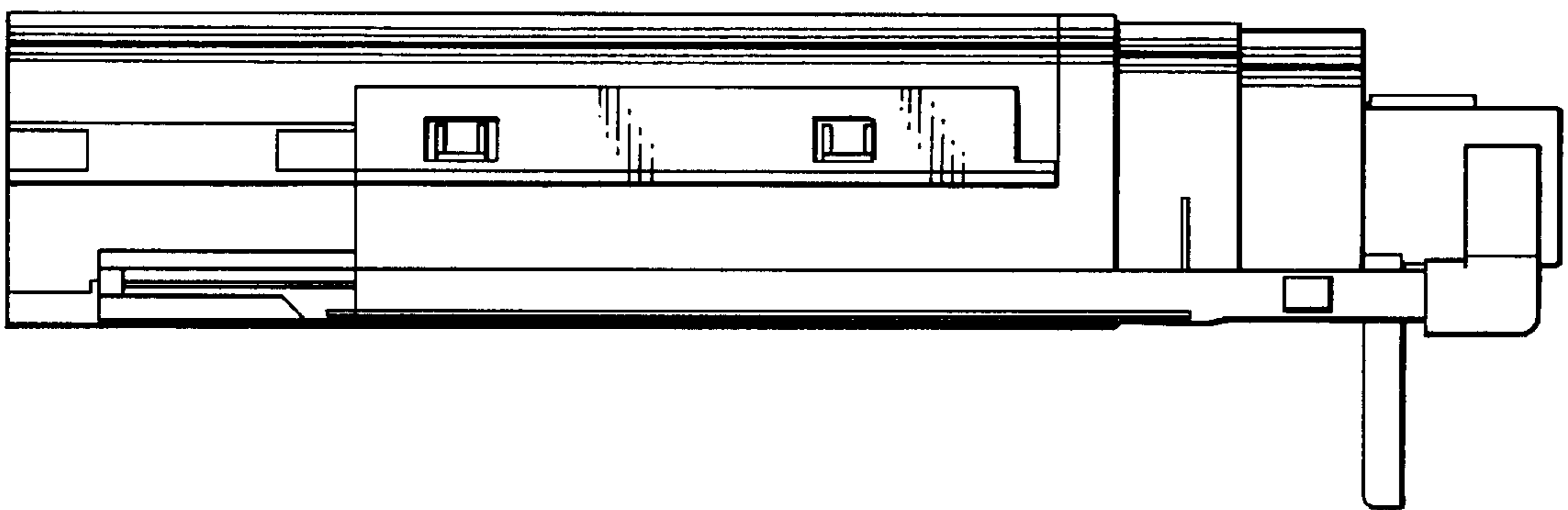


FIG. 3

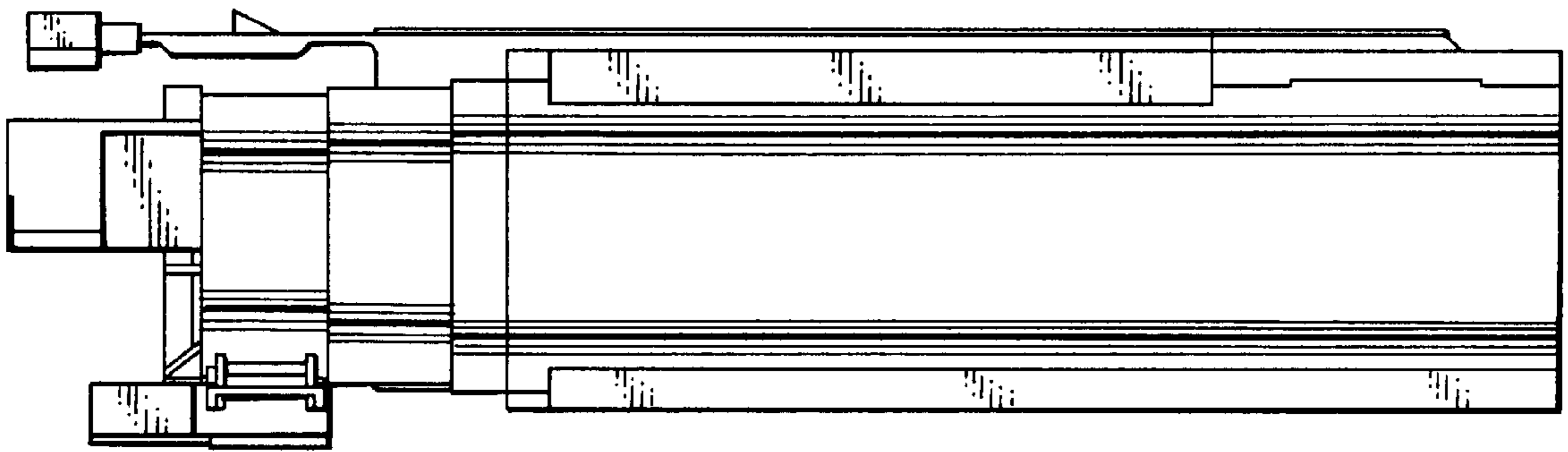


FIG. 4

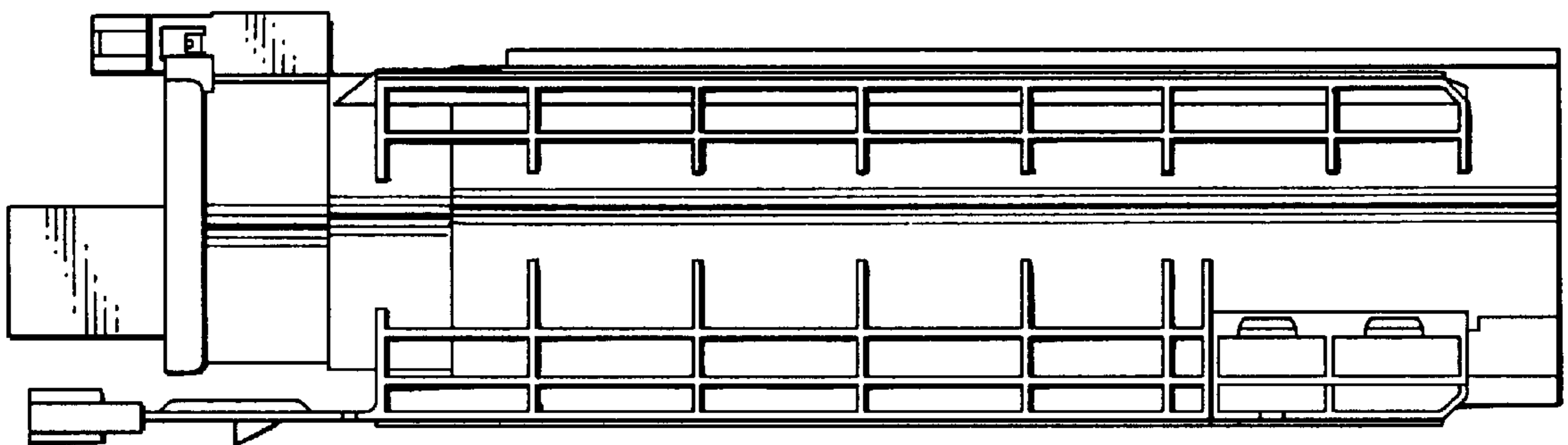


FIG. 5

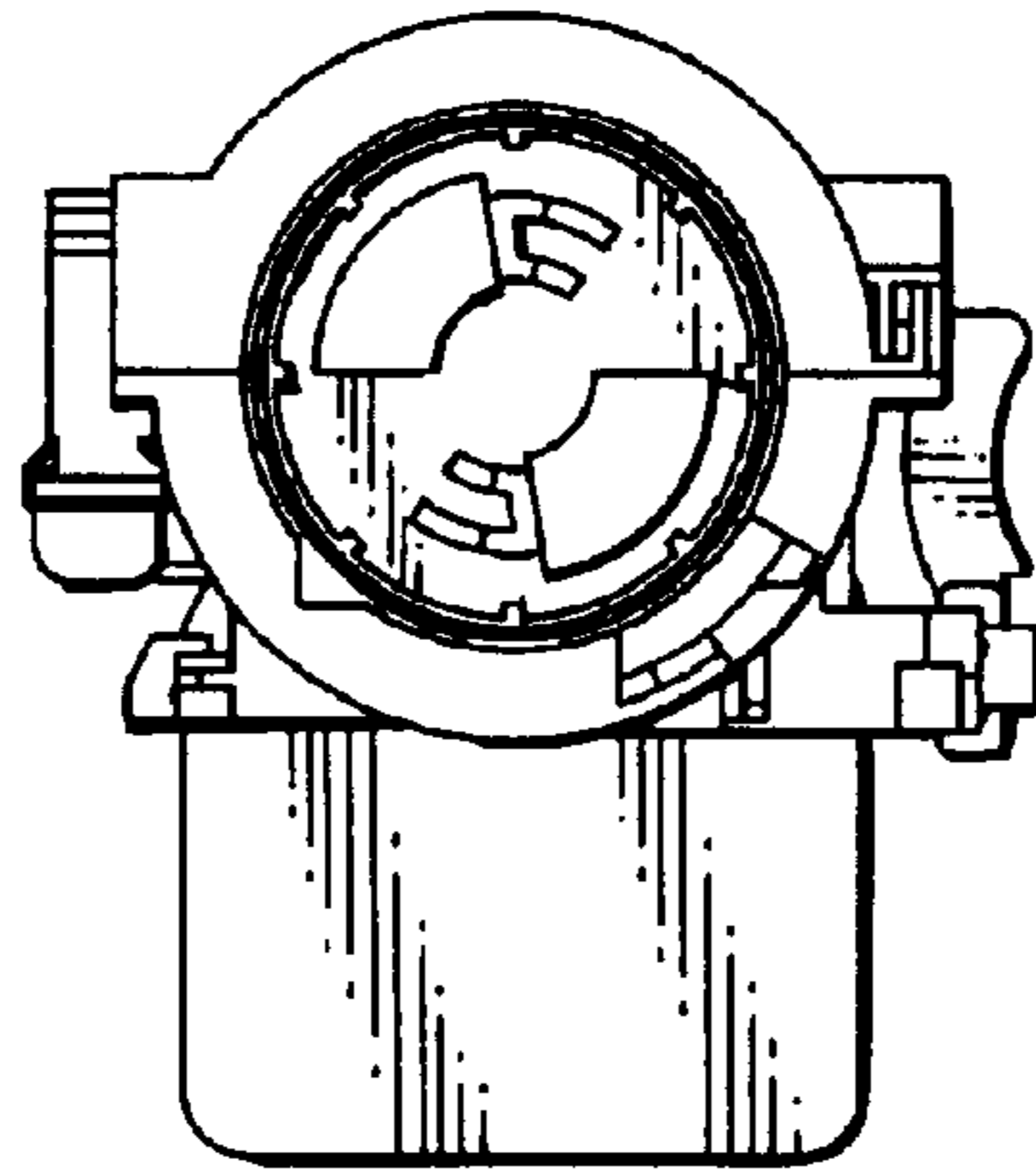


FIG. 6

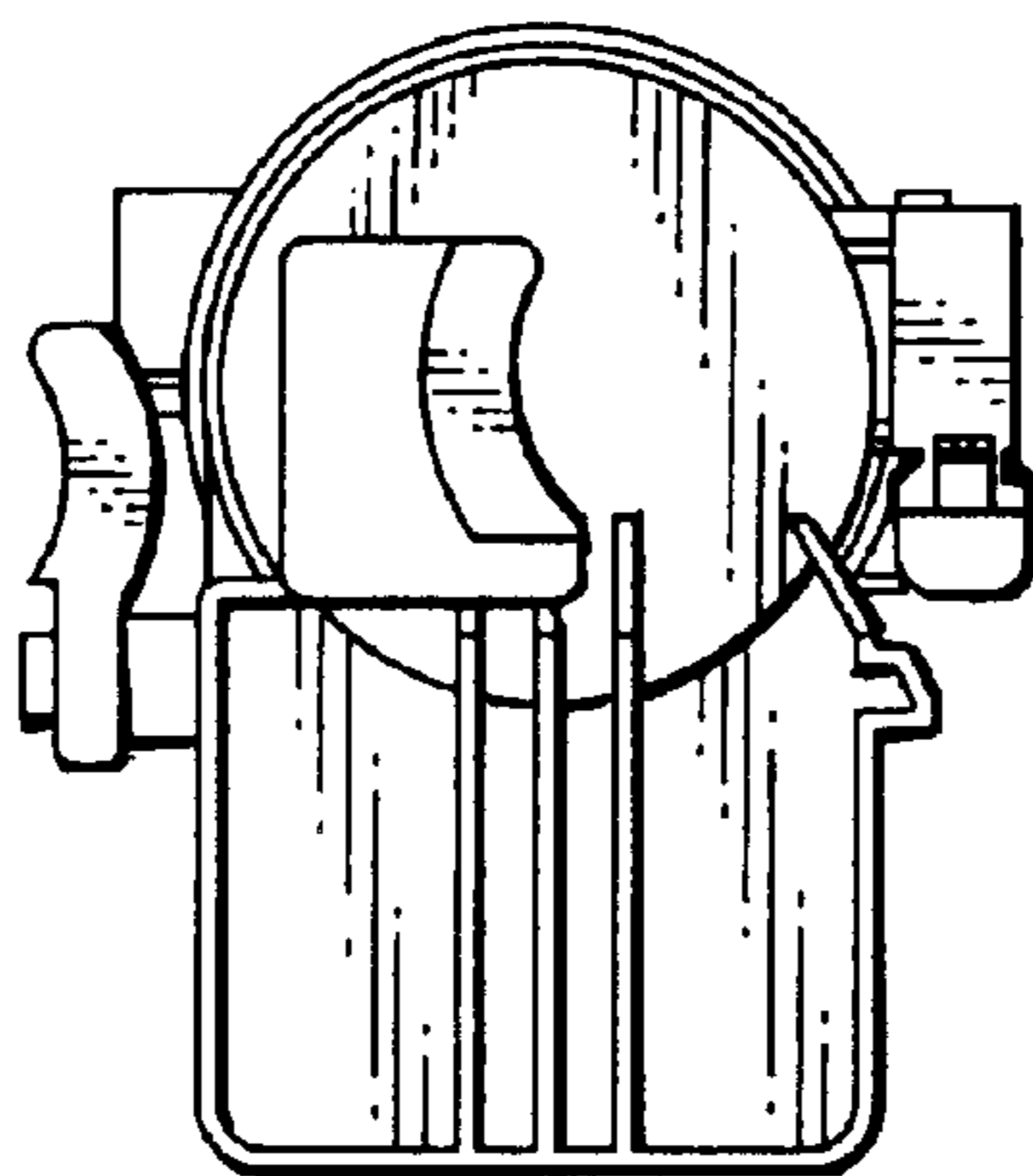


FIG. 7

