



US00D468343S

(12) **United States Design Patent**  
**Lira-Núñez**

(10) **Patent No.:** **US D468,343 S**

(45) **Date of Patent:** **\*\* Jan. 7, 2003**

(54) **PAPER CUTTER**

(75) **Inventor:** **Carmen Lira-Núñez, St. Cloud, MN (US)**

(73) **Assignee:** **The Antioch Company, Yellow Springs, OH (US)**

(\*\*) **Term:** **14 Years**

(21) **Appl. No.:** **29/155,650**

(22) **Filed:** **Feb. 13, 2002**

(51) **LOC (7) Cl.** ..... **18-04**

(52) **U.S. Cl.** ..... **D18/34**

(58) **Field of Search** ..... D18/34, 99; D19/65, D19/72; D15/127, 129, 141, 199; 83/607-609, 701, 467.1, 468, 468.3, 585, 167, 13, 25, DIG. 1, 391

(56) **References Cited**

**U.S. PATENT DOCUMENTS**

,217,629	A	*	7/1879	Marshall	.....	83/391
639,231	A		12/1899	Hale		
1,914,966	A		6/1933	Weisbender		
D172,910	S	*	8/1954	Vennell	.....	D18/34
D295,866	S		5/1988	Davis		
D319,255	S		8/1991	Beno et al.		
D321,368	S		11/1991	Beno		
D381,359	S		7/1997	Mori		

D409,651	S	5/1999	Rellinger
D411,227	S	6/1999	Mori
D443,294	S	6/2001	Munoz

**OTHER PUBLICATIONS**

Current®, Mini Paper Cutter, Times to Cherish™, Fall/Winter 2001, p. 18, USA.

Creative Memories®, Personal Trimmer, Storybook Product Catalog, 2001, p. 35.

\* cited by examiner

*Primary Examiner*—Martie K. Holtje

(74) *Attorney, Agent, or Firm*—Gray, Plant, Mooty, Mooty & Bennett, P.A.

(57) **CLAIM**

I claim the ornamental design for a paper cutter, as shown and described.

**DESCRIPTION**

FIG. 1 is a perspective view of a paper cutter embodying my design;

FIG. 2 is a right side view;

FIG. 3 is a left side view;

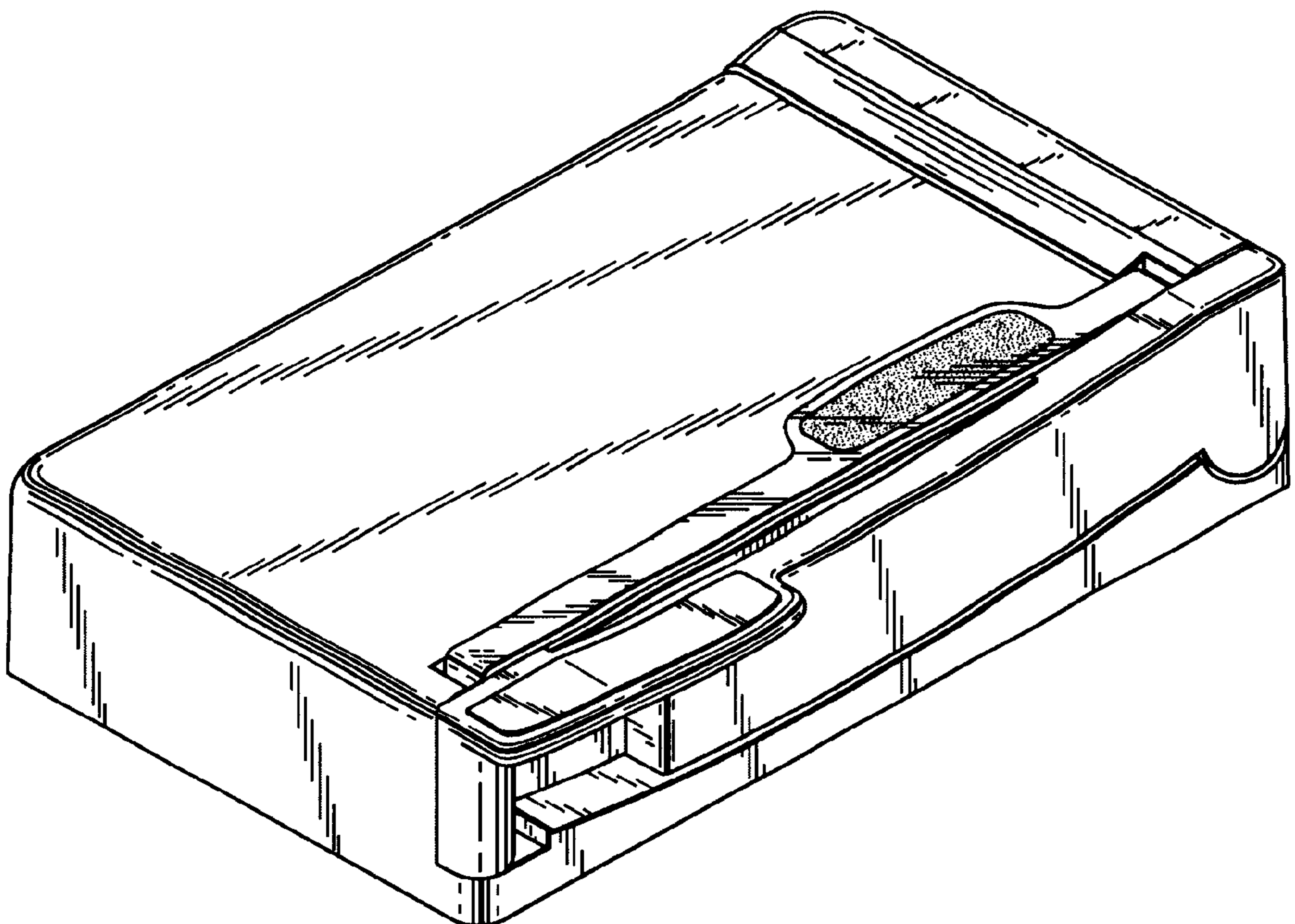
FIG. 4 is a top plan view;

FIG. 5 is a bottom plan view;

FIG. 6 is a front elevational view; and,

FIG. 7 is a rear elevational view thereof.

**1 Claim, 3 Drawing Sheets**



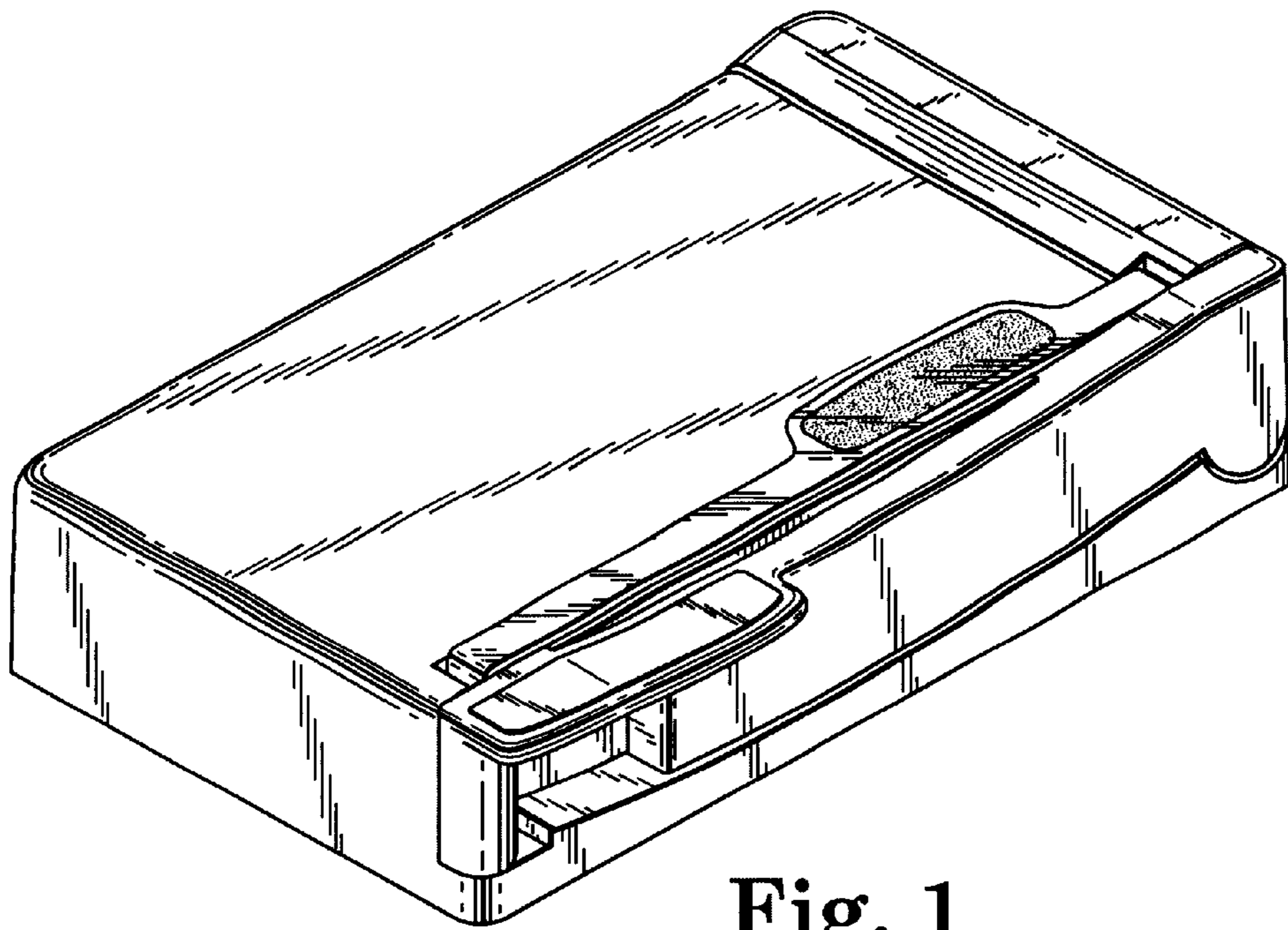


Fig. 1

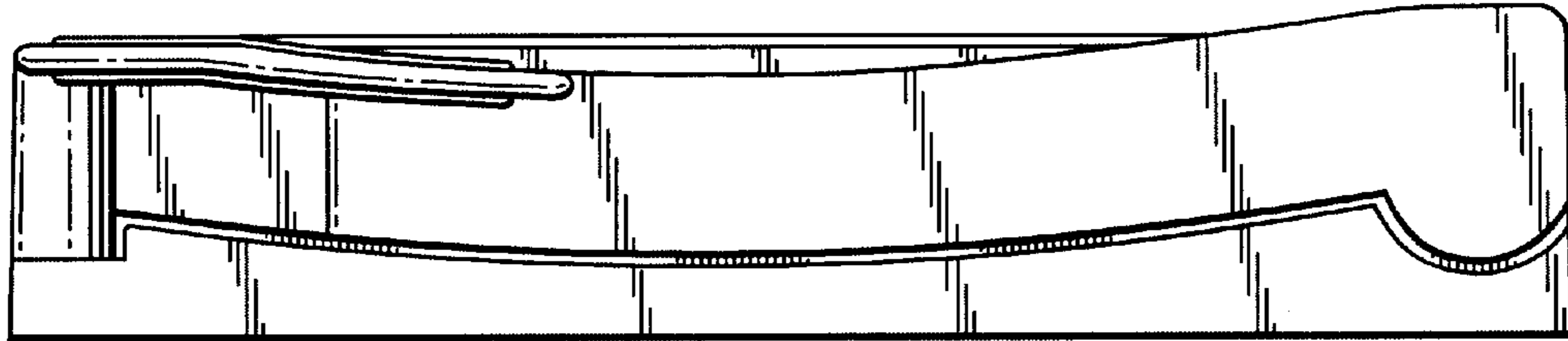


Fig. 2

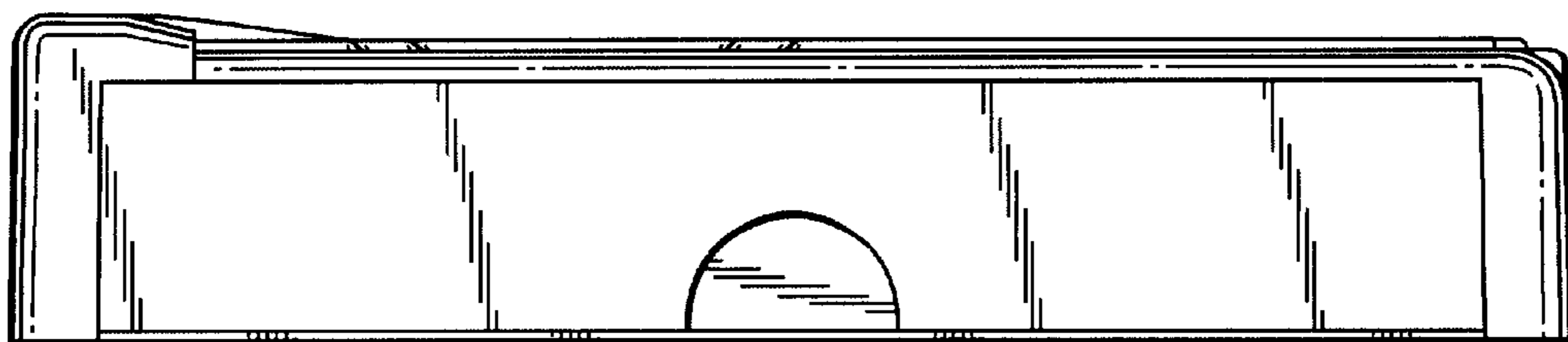


Fig. 3

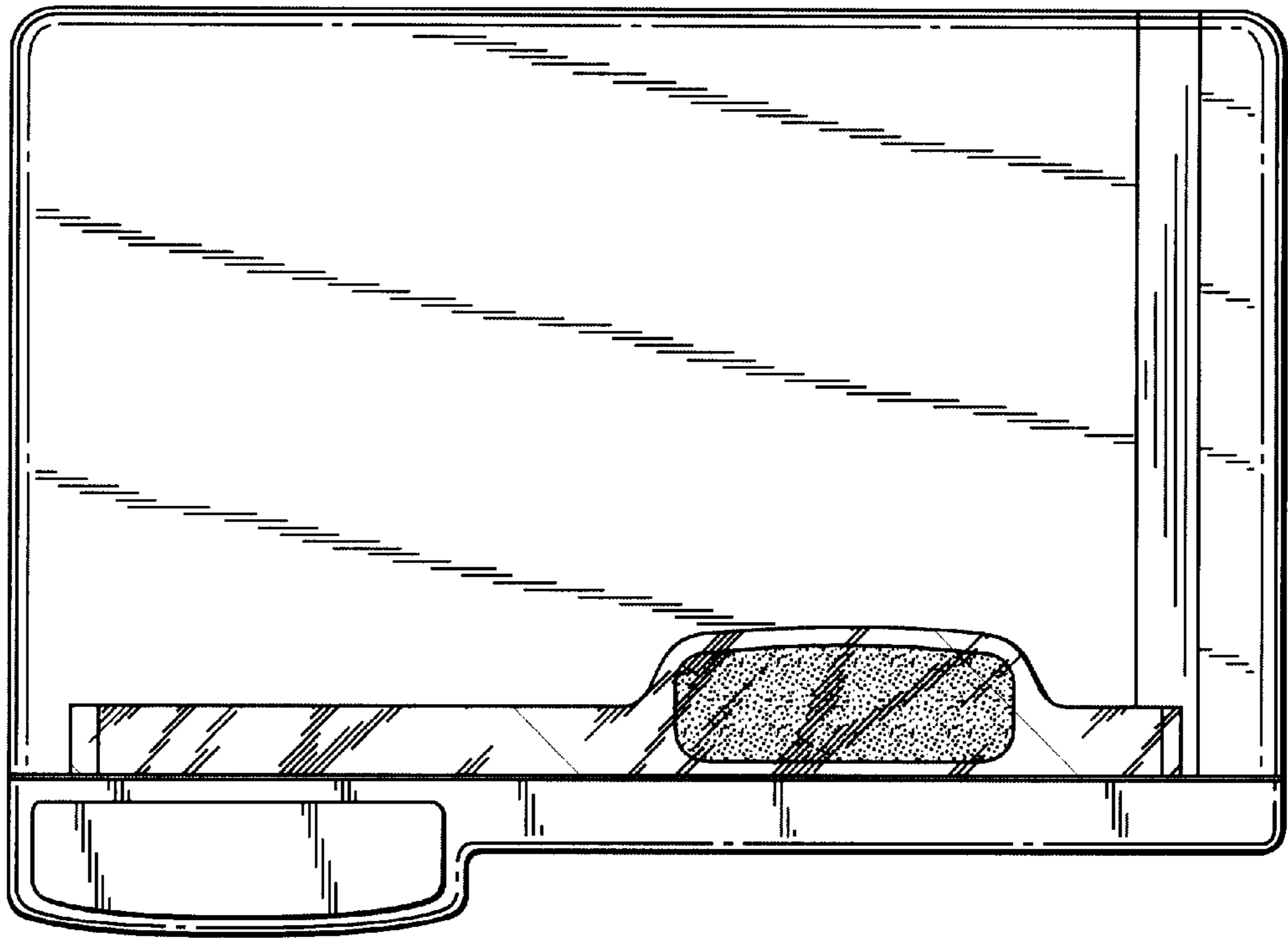


Fig. 4

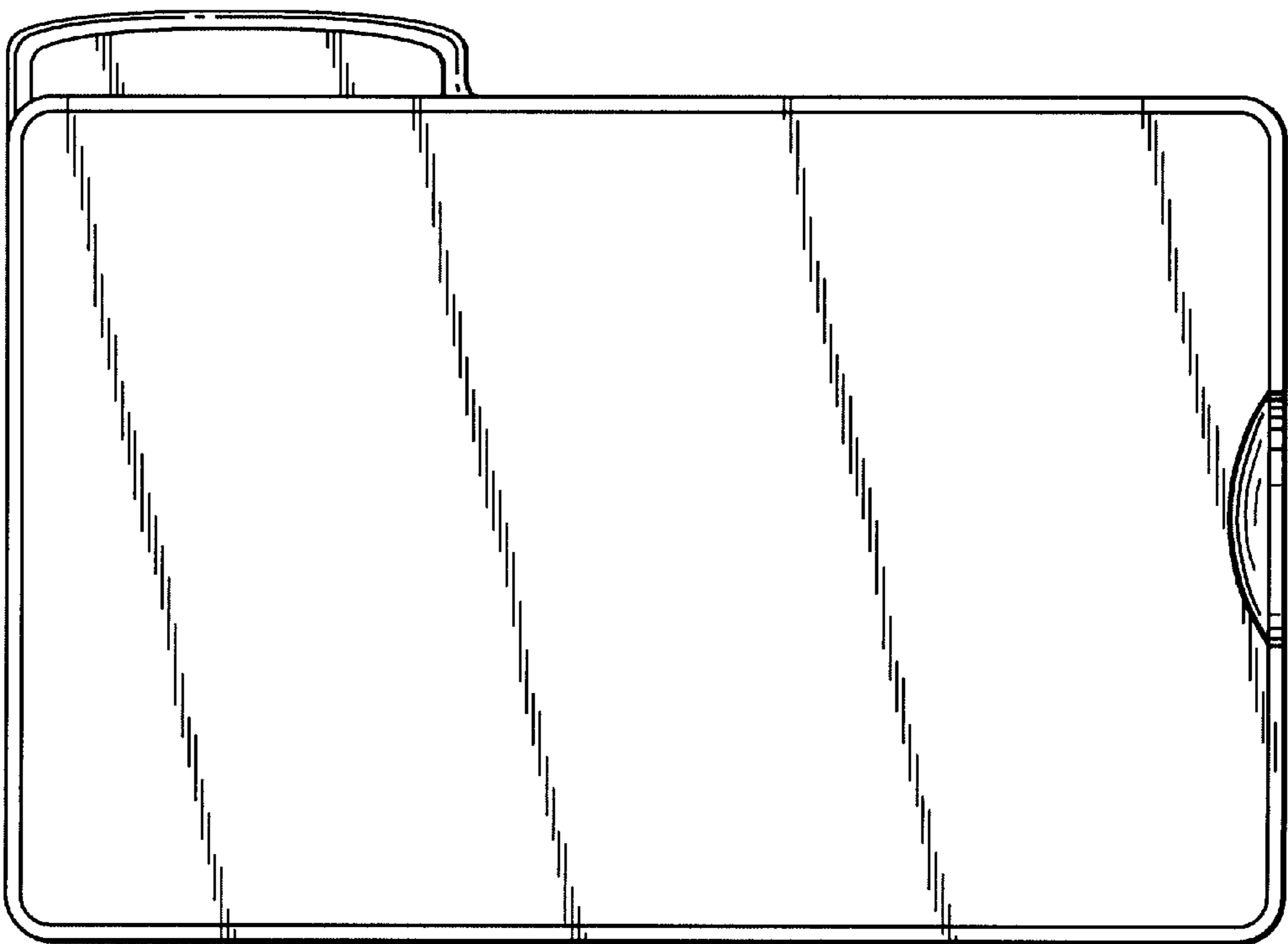
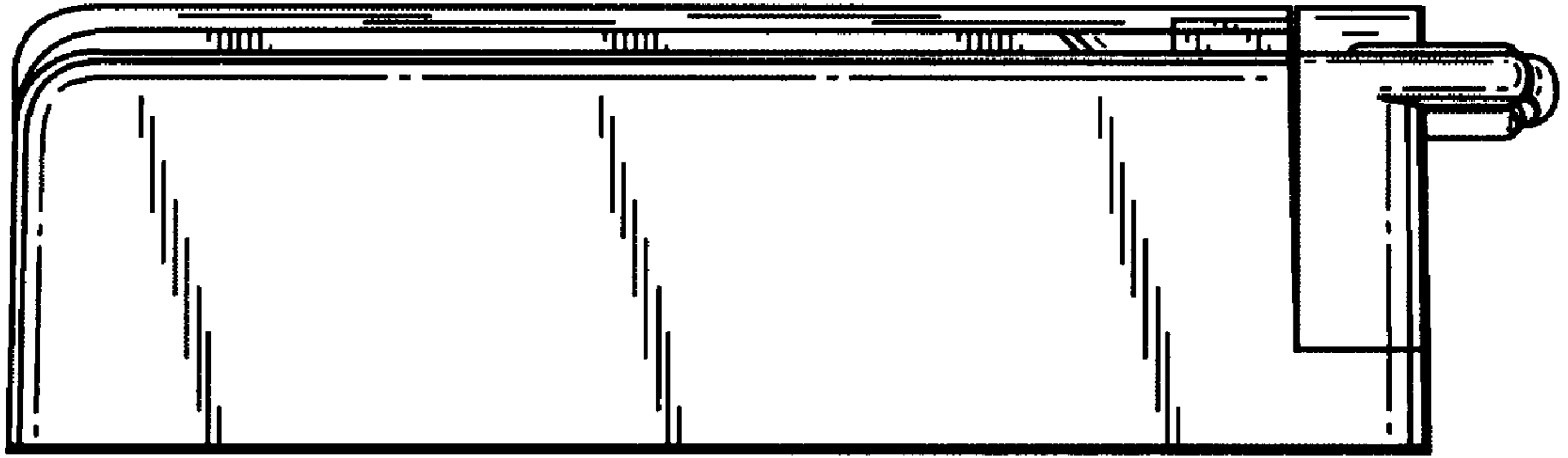
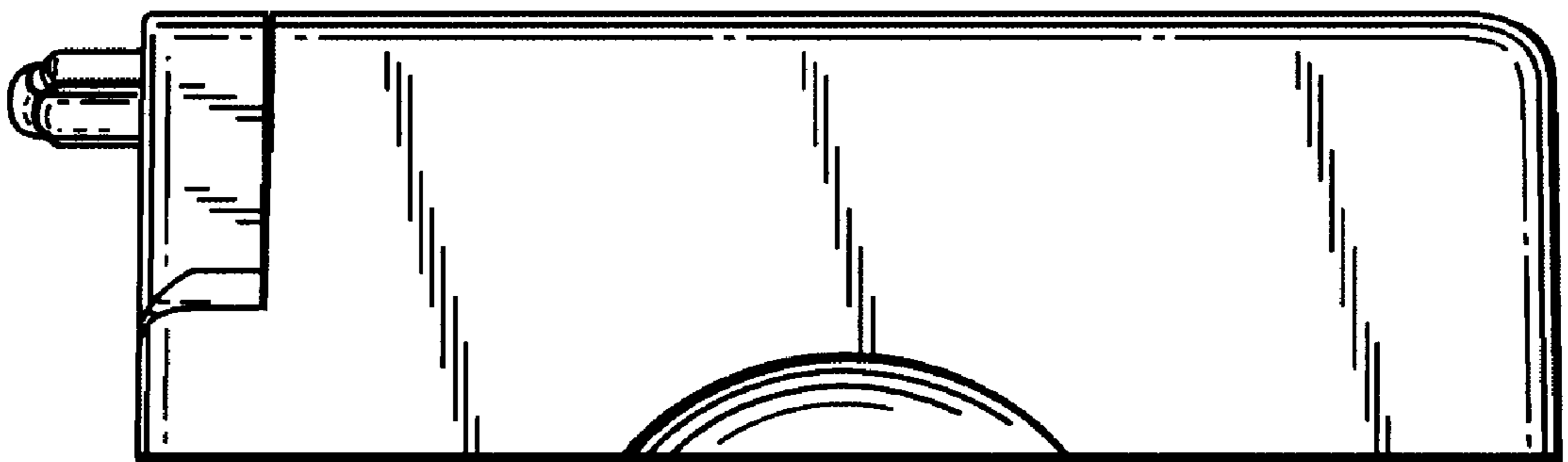


Fig. 5



**Fig. 6**



**Fig. 7**