



US00D468342S

(12) **United States Design Patent**
Bodum

(10) **Patent No.:** **US D468,342 S**

(45) **Date of Patent:** **** Jan. 7, 2003**

(54) **CALCULATOR**

(75) **Inventor:** **Jørgen Bodum, St. Niklausen (CH)**

(73) **Assignee:** **PI-Design AG, Triengen (CH)**

(**) **Term:** **14 Years**

(21) **Appl. No.:** **29/151,720**

(22) **Filed:** **Dec. 11, 2001**

(30) **Foreign Application Priority Data**

Jun. 19, 2001 (DK) MA 2001 00612

(51) **LOC (7) Cl. 18-01**

(52) **U.S. Cl. D18/7**

(58) **Field of Search D18/6, 7, 11, 12;**
235/61 R; 364/706-710

(56) **References Cited**

U.S. PATENT DOCUMENTS

- 4,158,230 A * 6/1979 Washizuka et al. 364/708
- D273,306 S * 4/1984 Yamagami et al. D18/7
- D285,934 S * 9/1986 Yoshioka et al. D18/7

- D389,858 S * 1/1998 Crooks et al. D18/7
- D441,393 S * 5/2001 Chan D18/7
- D445,447 S * 7/2001 Chan D18/7

* cited by examiner

Primary Examiner—Caron D. Veynar

(74) *Attorney, Agent, or Firm*—Nath & Associates PLLC;
Gary M. Nath

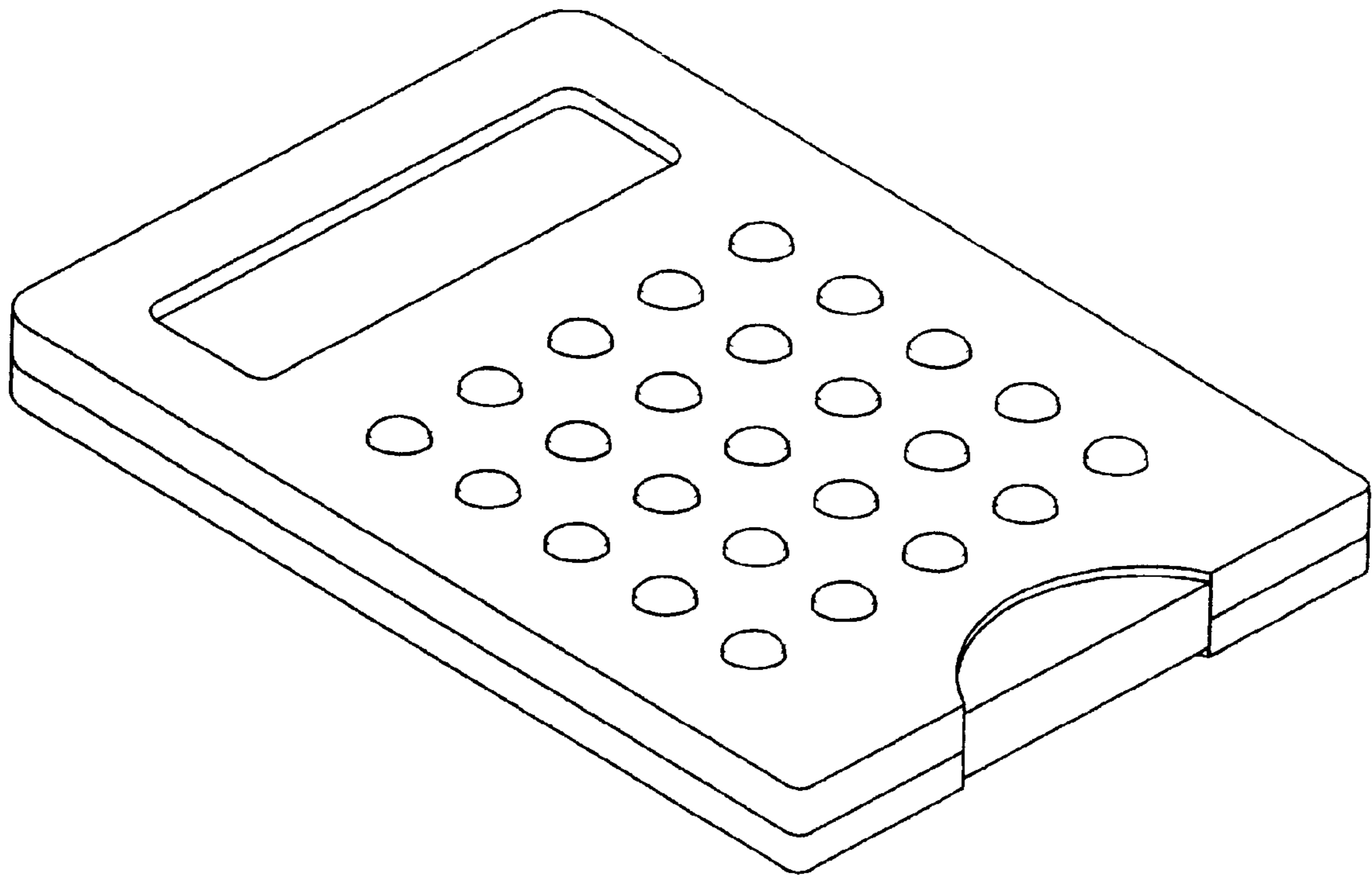
(57) **CLAIM**

The ornamental design for a calculator, as shown and described.

DESCRIPTION

FIG. 1 is an oblique perspective view of the calculator; FIG. 2 is a right side view of the calculator, as shown in FIG. 1; FIG. 3 is a left side view of the calculator; FIG. 4 is a front side view of the calculator; FIG. 5 is a back side view of the calculator; FIG. 6 is a top view of the calculator; and, FIG. 7 is a bottom view of the calculator.

1 Claim, 7 Drawing Sheets



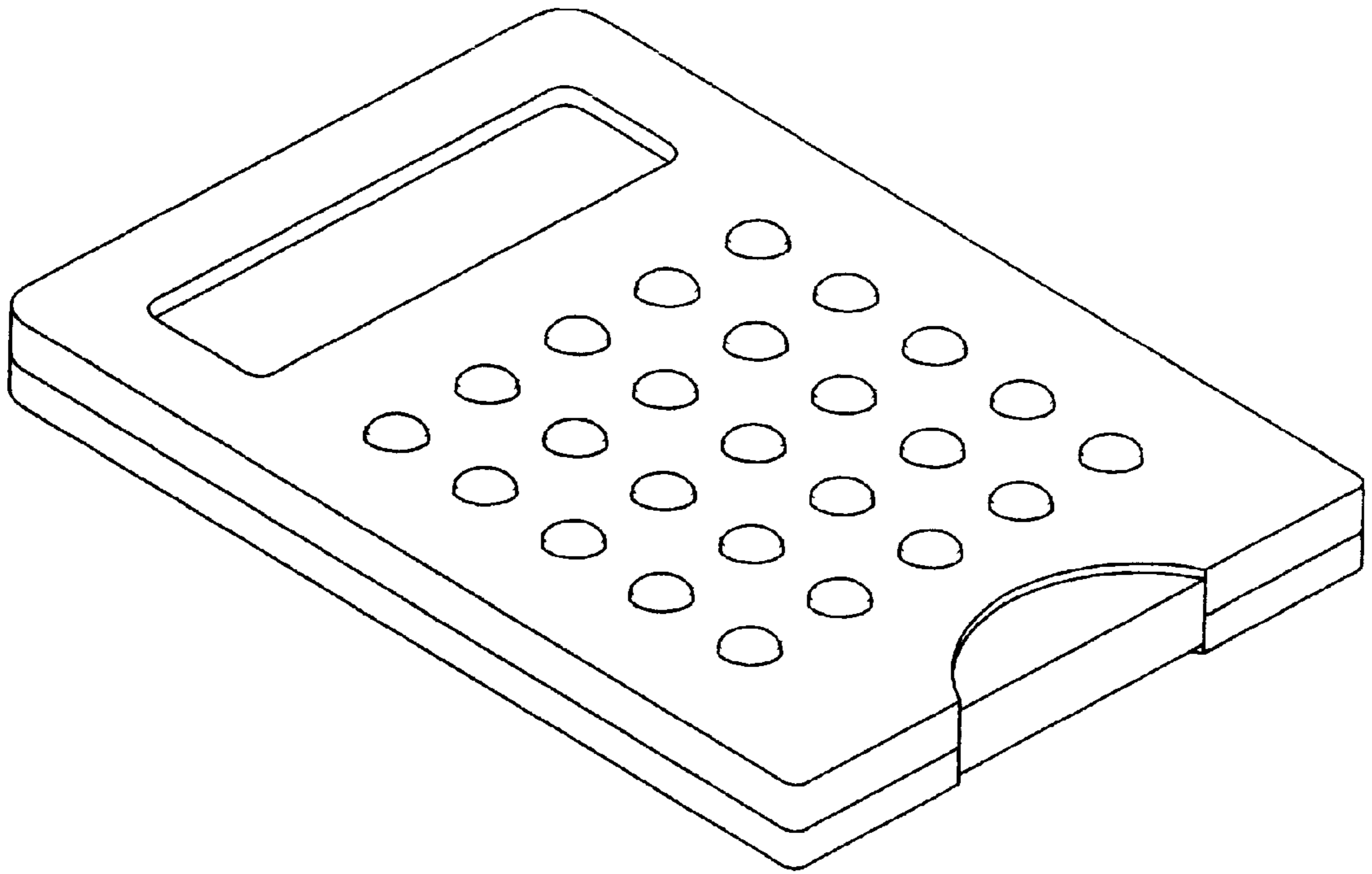


Fig. 1

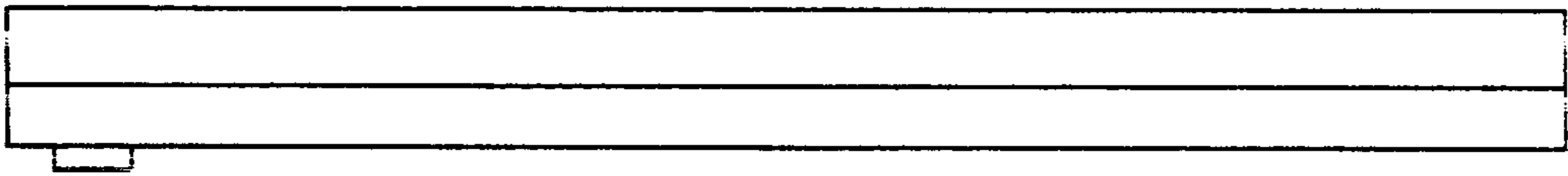


Fig. 2

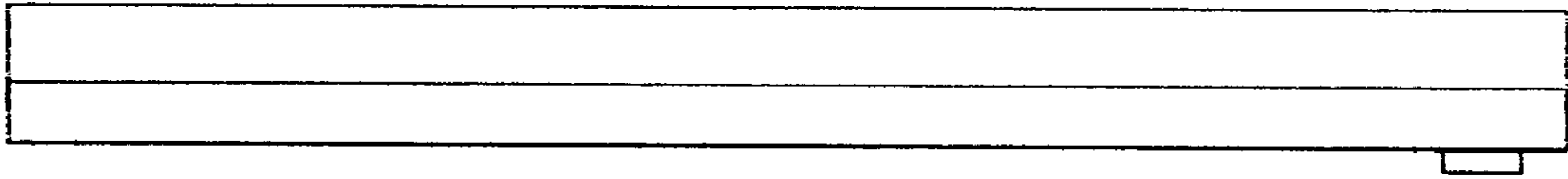


Fig. 3

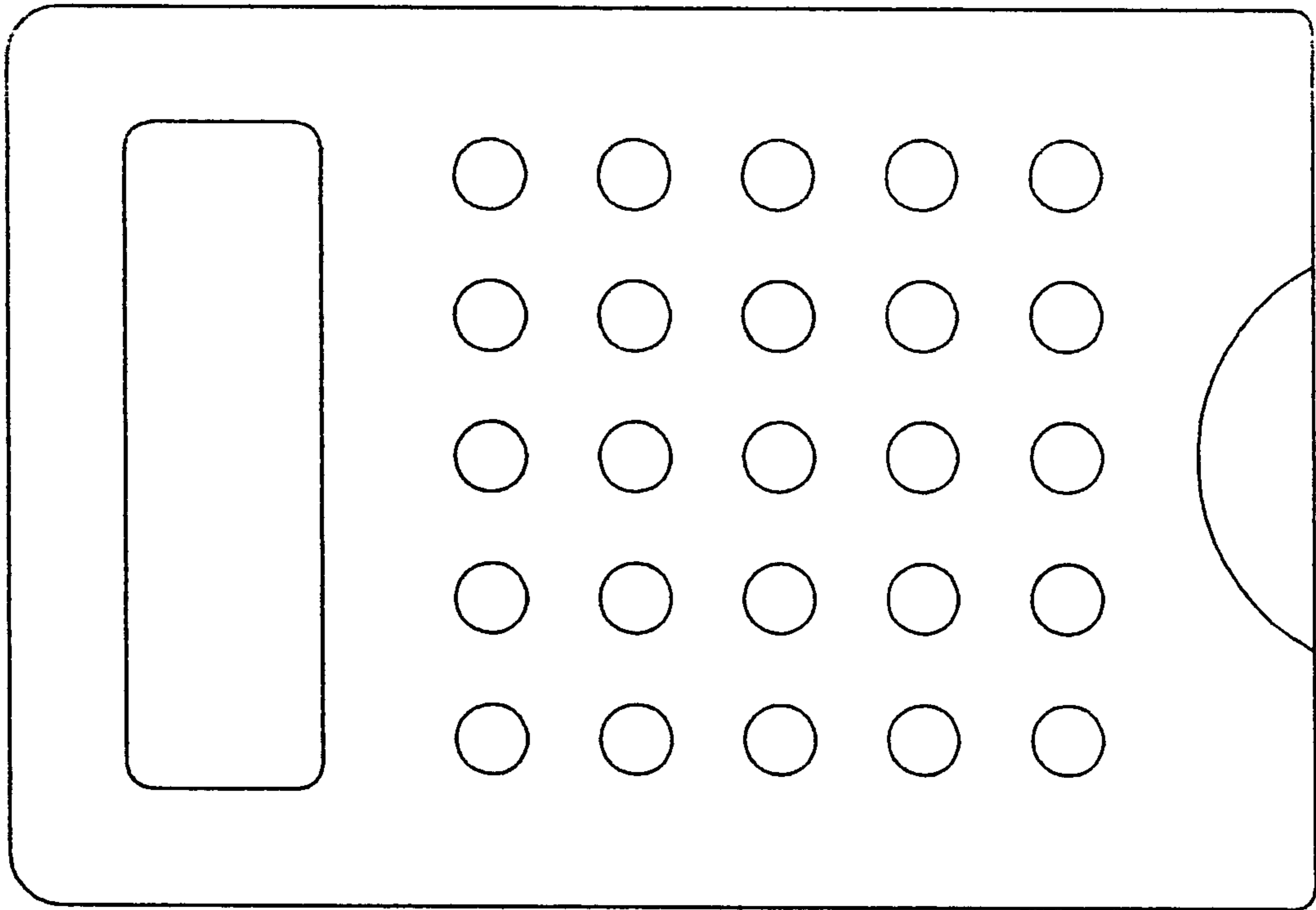


Fig. 4

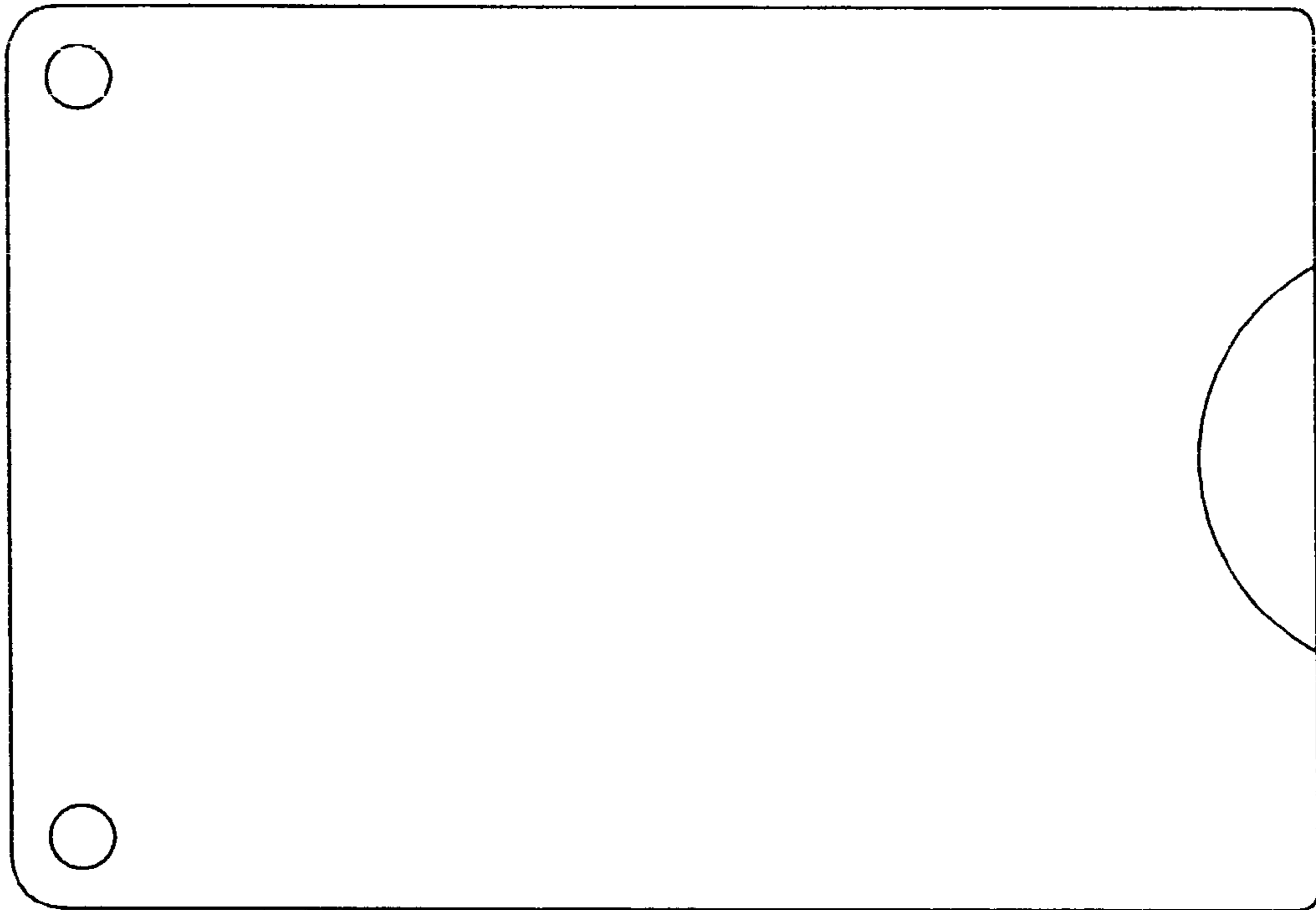


Fig. 5

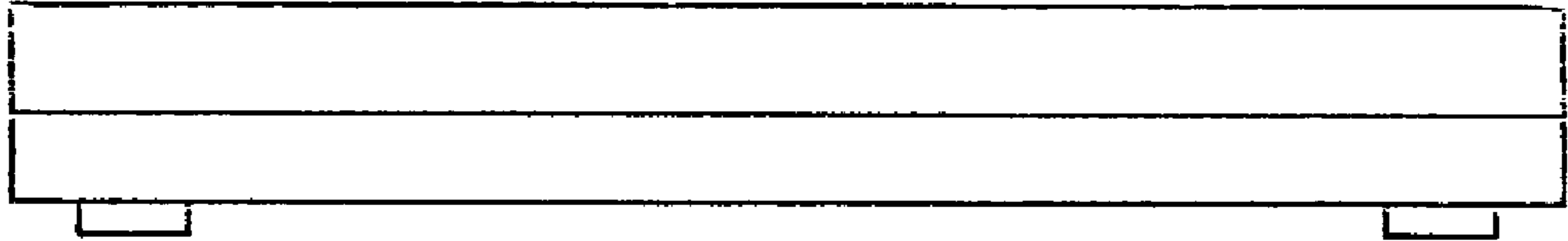


Fig. 6

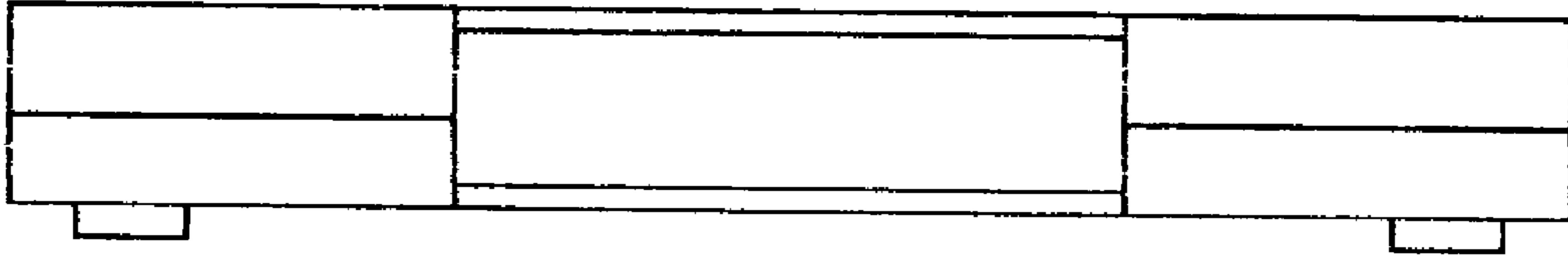


Fig. 7