



US00D468335S

(12) **United States Design Patent**  
**Goto et al.**

(10) **Patent No.:** **US D468,335 S**

(45) **Date of Patent:** **\*\* Jan. 7, 2003**

(54) **COMBINED PROJECTOR AND DIGITAL VIDEO PLAYER**

5,467,106 A \* 11/1995 Salomon ..... 345/87  
D437,836 S \* 2/2001 Rosen ..... D14/132

(75) Inventors: **Masaaki Goto**, Ehime (JP); **Kazuhiko Maeda**, Ehime (JP)

\* cited by examiner

(73) Assignee: **Matsushita Electric Industrial Co., Ltd.**, Osaka (JP)

*Primary Examiner*—Nanda Bondade  
(74) *Attorney, Agent, or Firm*—Christensen O'Connor Johnson Kindness PLLC

(\*\*) Term: **14 Years**

(57) **CLAIM**

(21) Appl. No.: **29/144,636**

The ornamental design for a combined projector and digital video player, as shown and described.

(22) Filed: **Jul. 6, 2001**

**DESCRIPTION**

(30) **Foreign Application Priority Data**

Jan. 18, 2001 (JP) ..... 2001-000740

(51) **LOC (7) Cl.** ..... **16-02**

(52) **U.S. Cl.** ..... **D16/221**

(58) **Field of Search** ..... D14/135, 136,  
D14/168; D16/221, 225; 353/115, 119,  
122; 369/75.1, 75.2, 77.1, 77.2; 345/87,  
905

FIG. 1 is a perspective view of the front and right side of a combined projector and digital video player showing our new design;

FIG. 2 is a perspective view of the bottom, rear and left side thereof;

FIG. 3 is a top view thereof;

FIG. 4 is a front view thereof;

FIG. 5 is a left side view thereof;

FIG. 6 is a right side view thereof;

FIG. 7 is a rear view thereof; and,

FIG. 8 is a bottom view thereof.

The broken line showing on FIGS. 1-8 is for illustrative purposes only and forms no part of the claimed design.

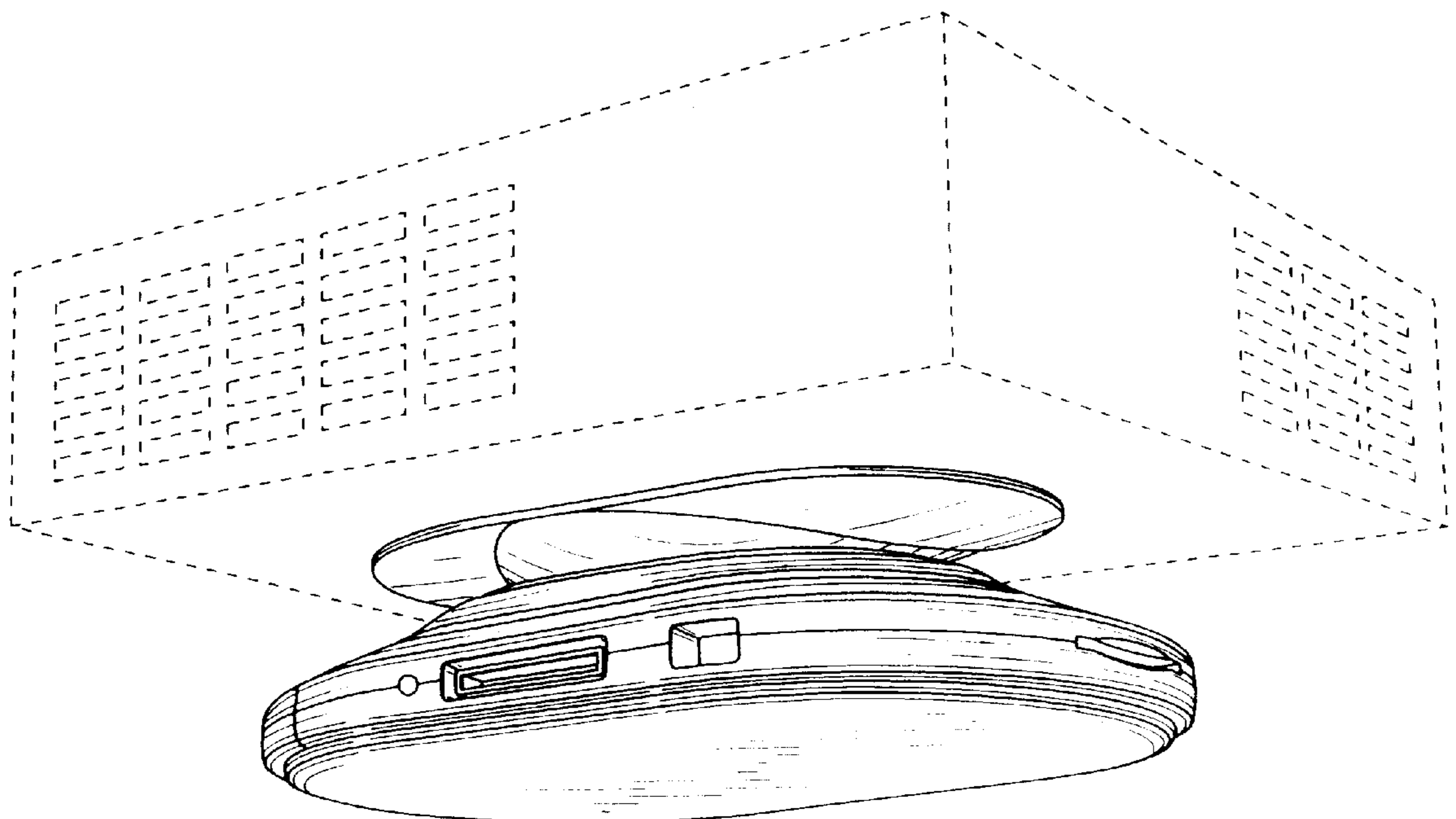
(56) **References Cited**

**U.S. PATENT DOCUMENTS**

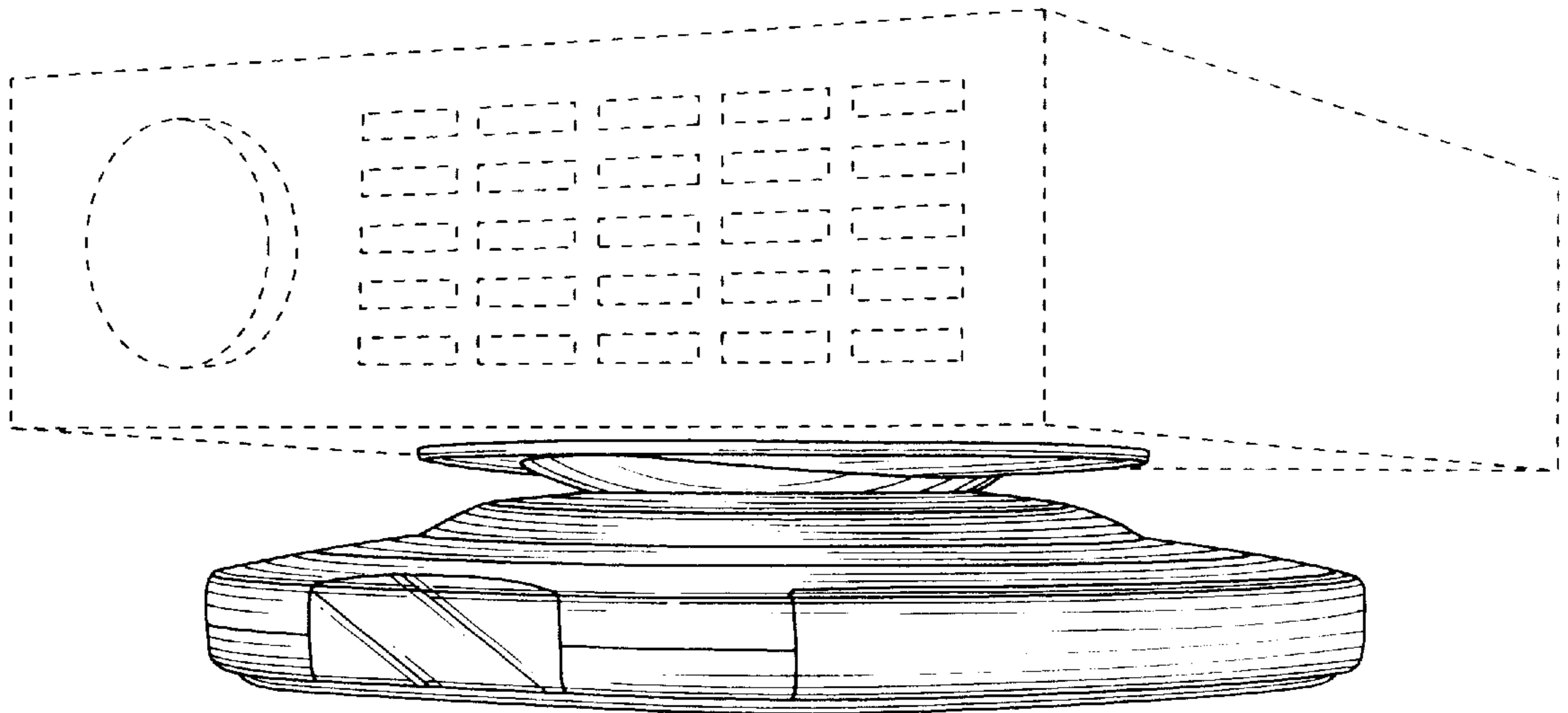
3,894,797 A \* 7/1975 Barowski et al. .... 353/119

D245,701 S \* 9/1977 Kinsinger ..... D16/221

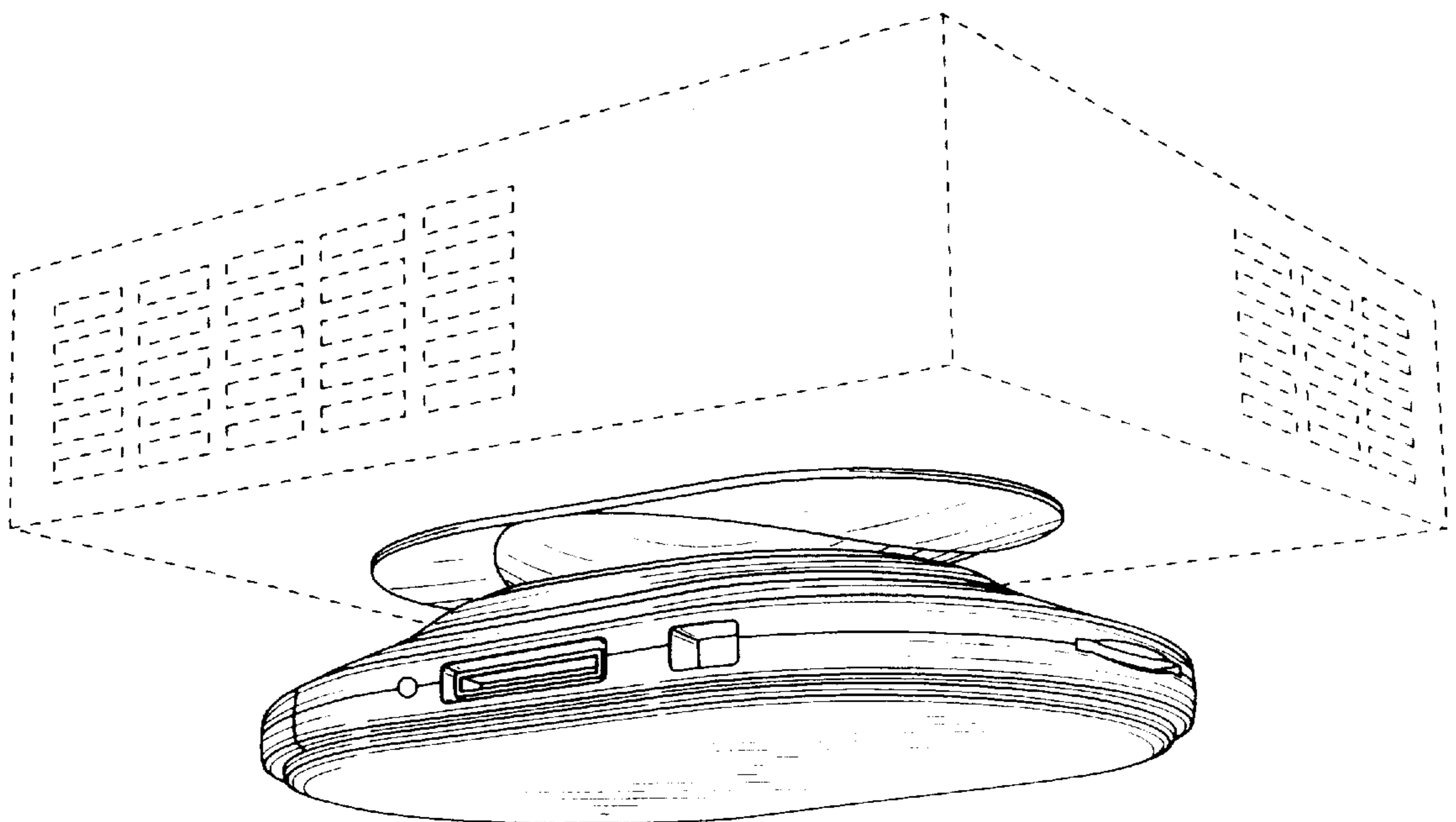
**1 Claim, 4 Drawing Sheets**



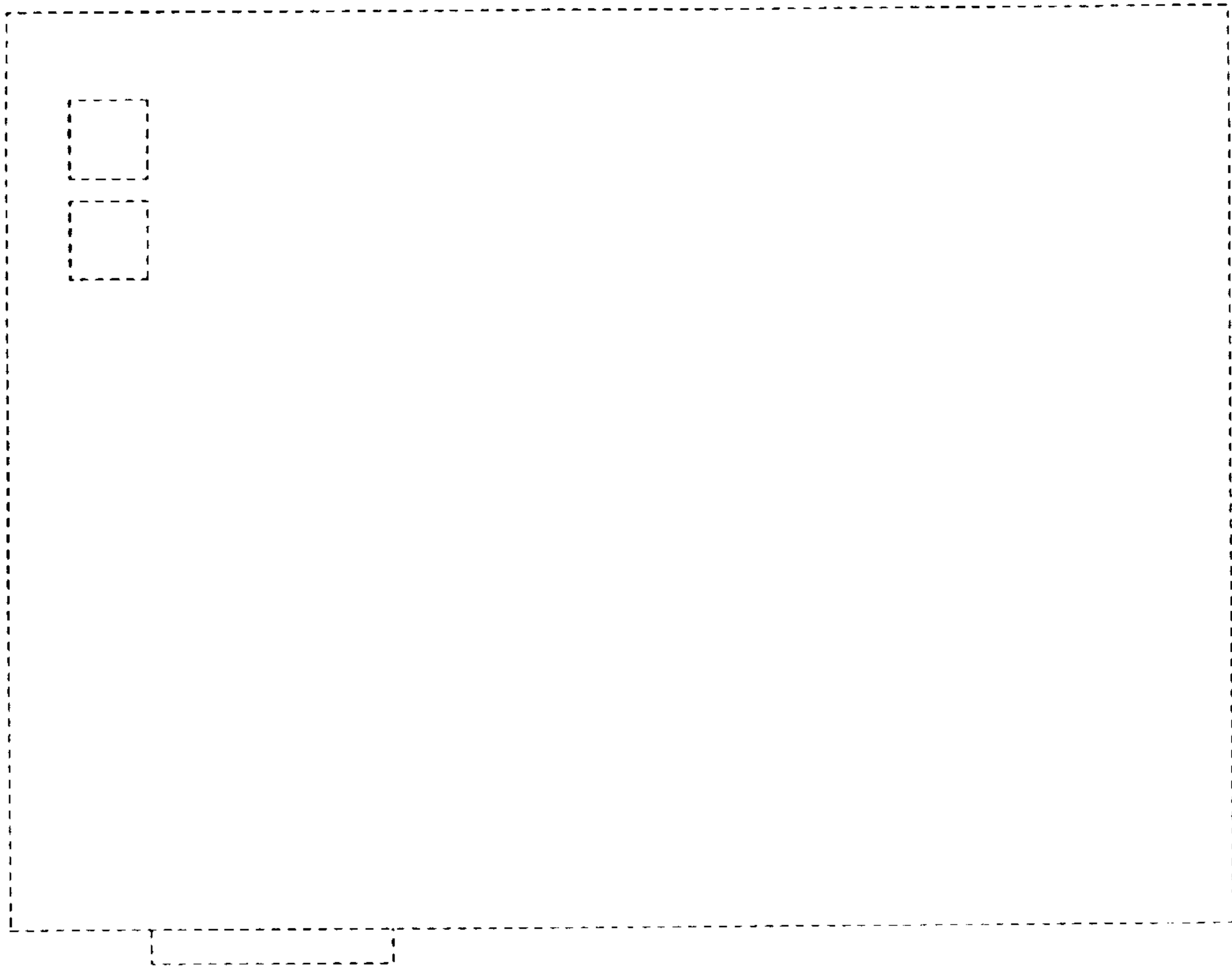
*FIG. 1*



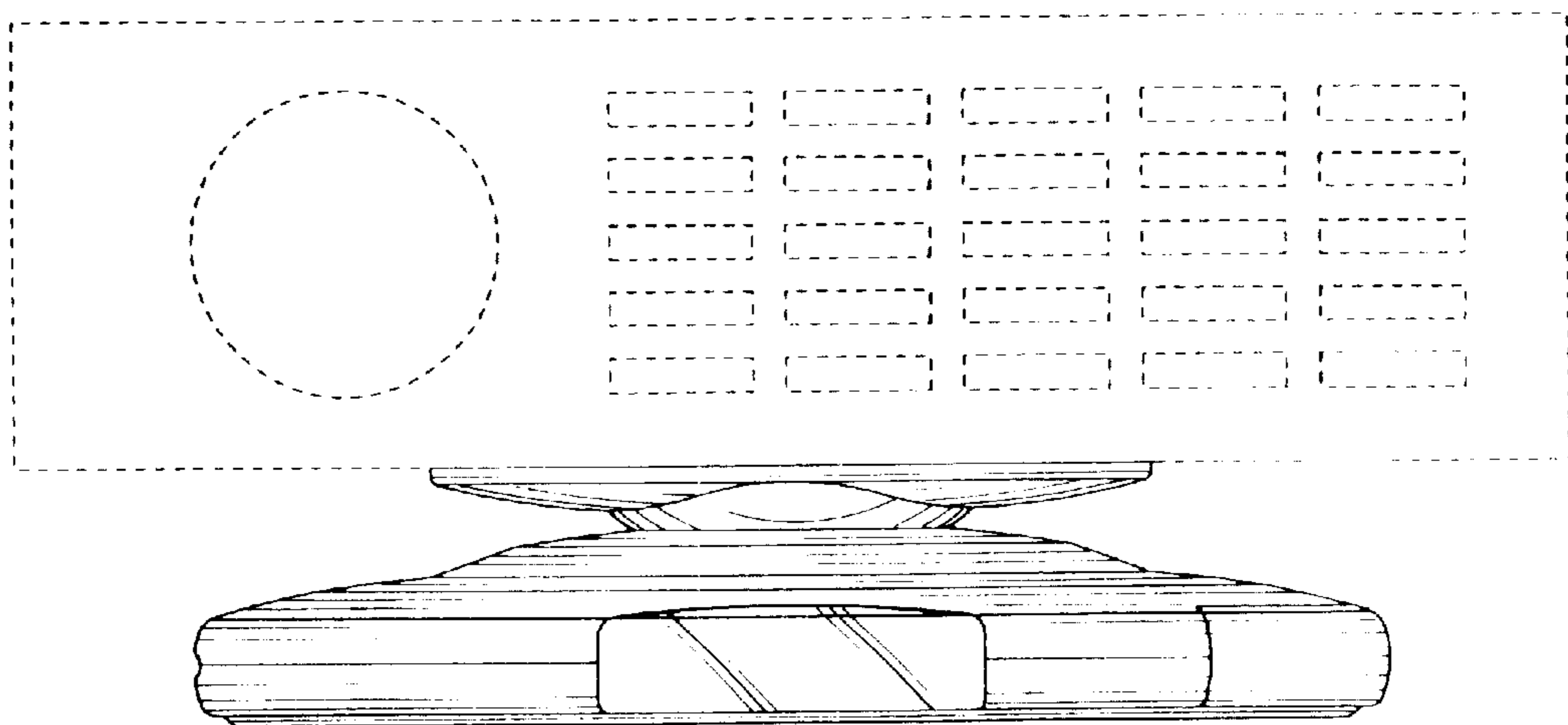
*FIG. 2*



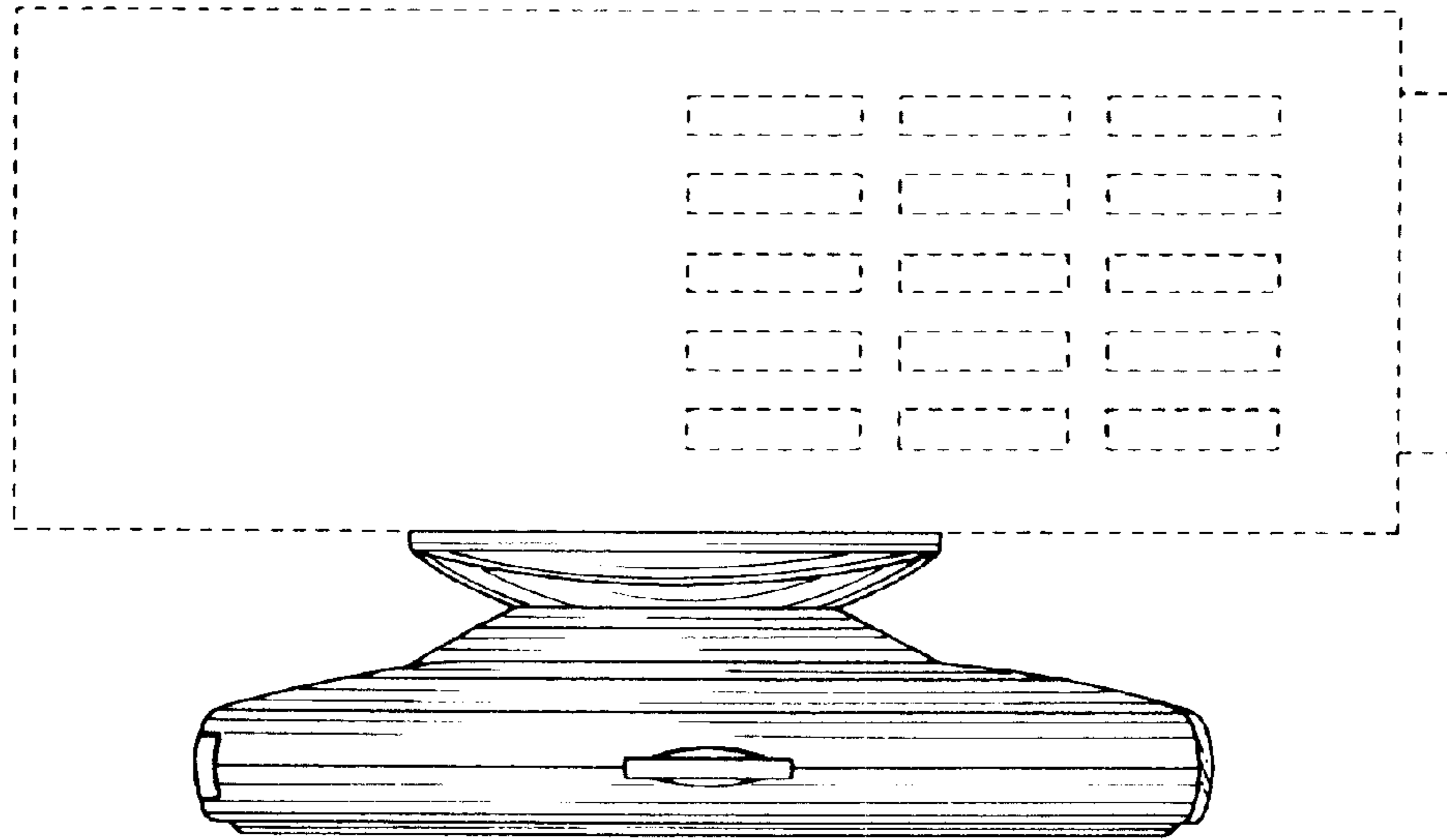
*FIG. 3*



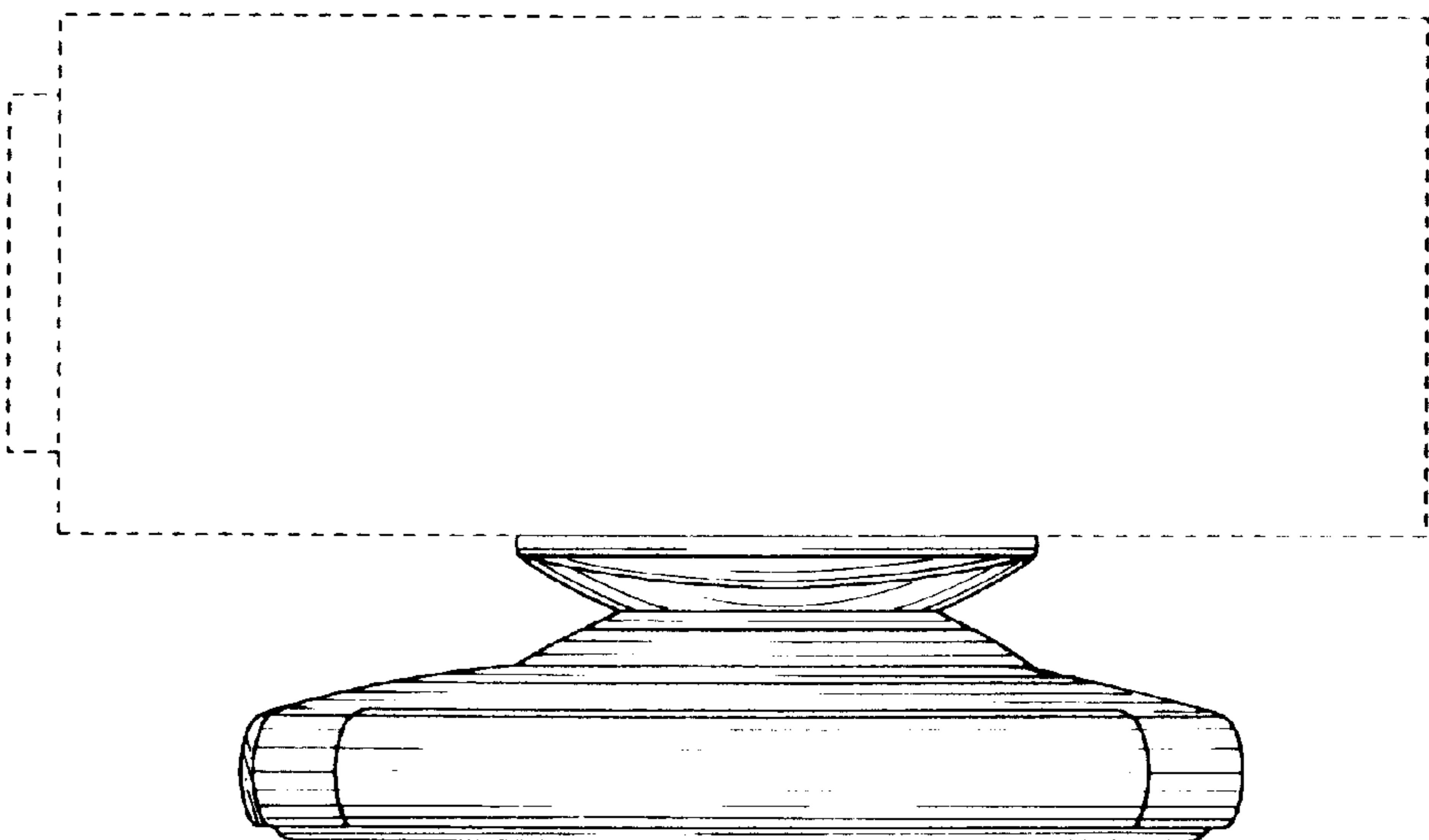
*FIG. 4*



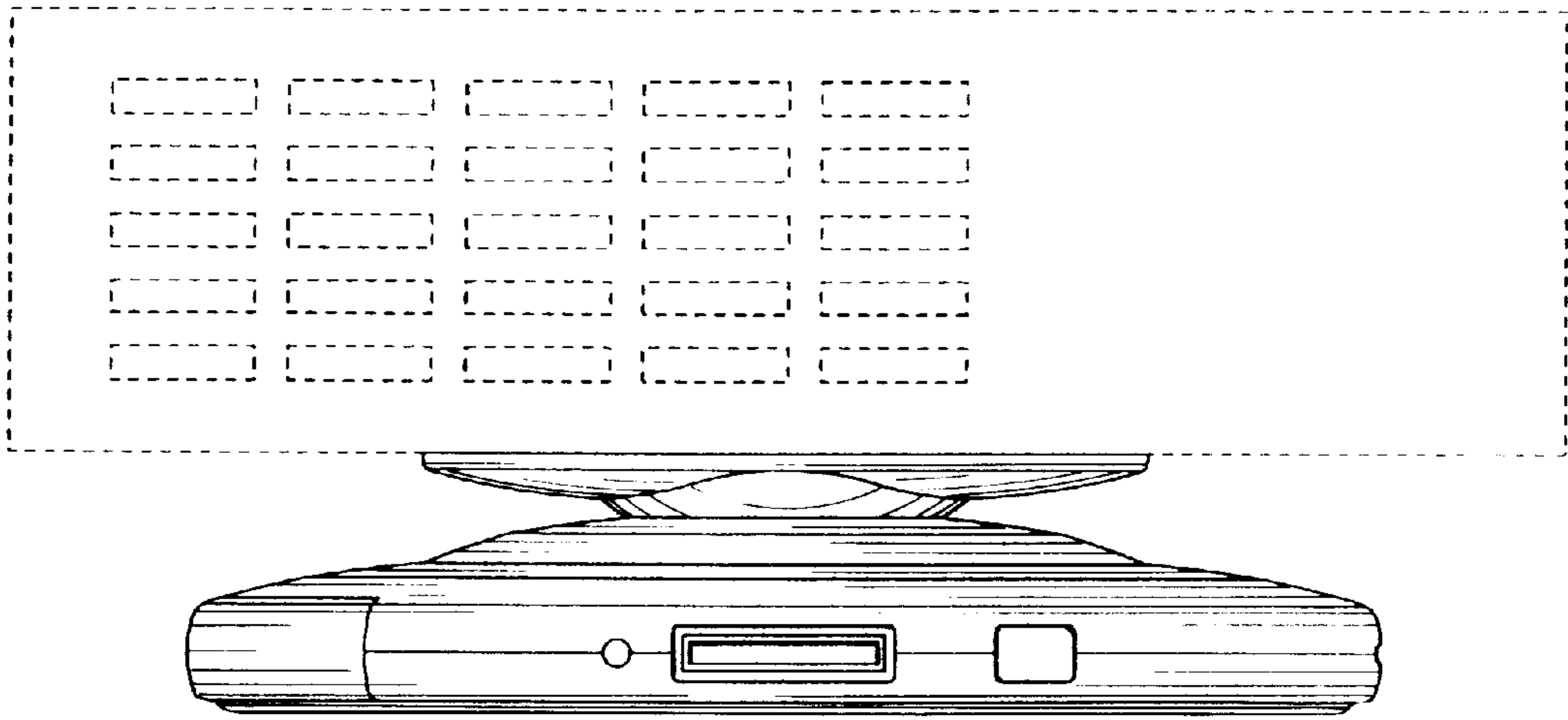
*FIG. 5*



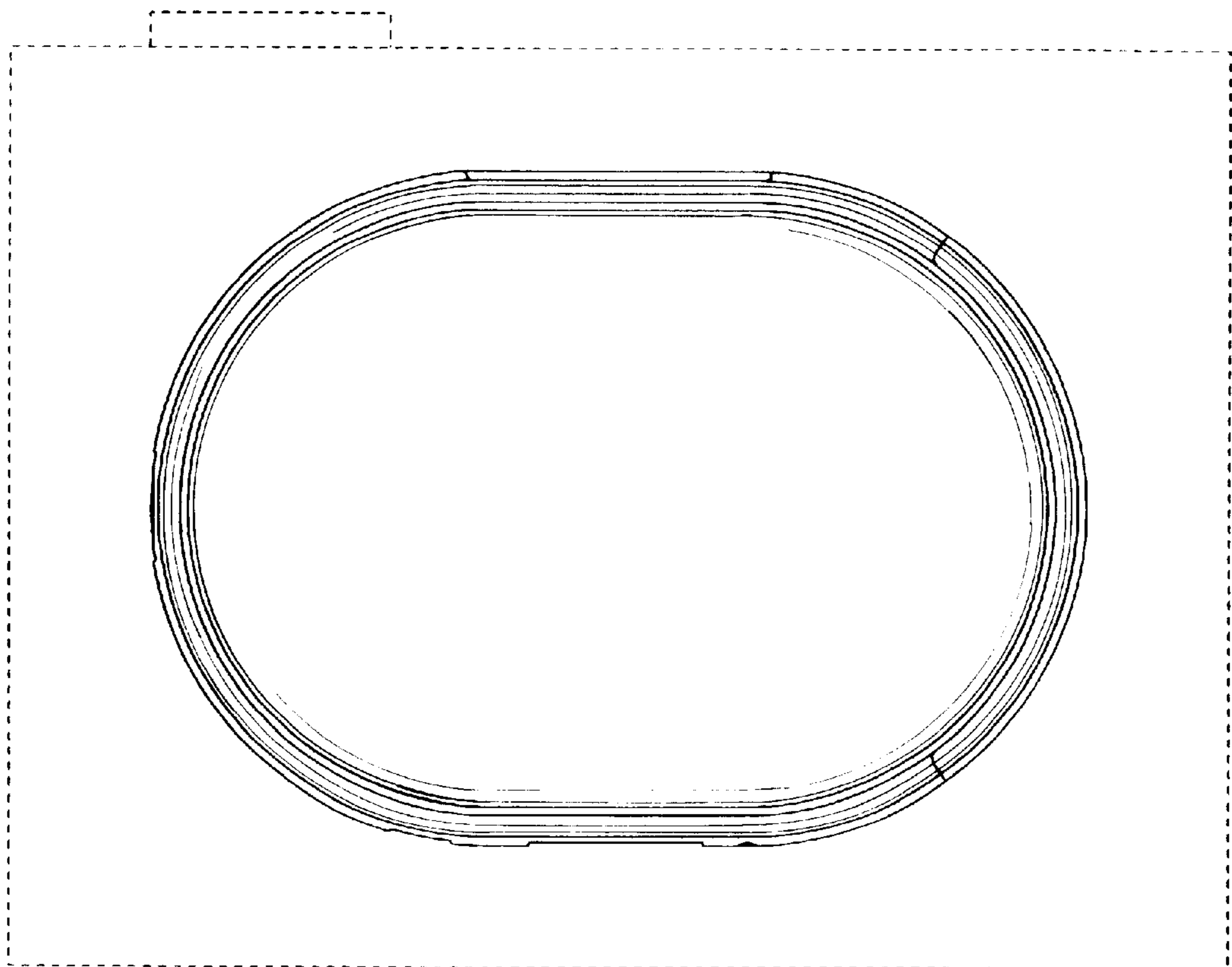
*FIG. 6*



*FIG. 7*



*FIG. 8*



UNITED STATES PATENT AND TRADEMARK OFFICE  
**CERTIFICATE OF CORRECTION**

PATENT NO. : Des. 468,335 S  
DATED : January 7, 2003  
INVENTOR(S) : M. Goto et al.

Page 1 of 1

It is certified that error appears in the above-identified patent and that said Letters Patent is hereby corrected as shown below:

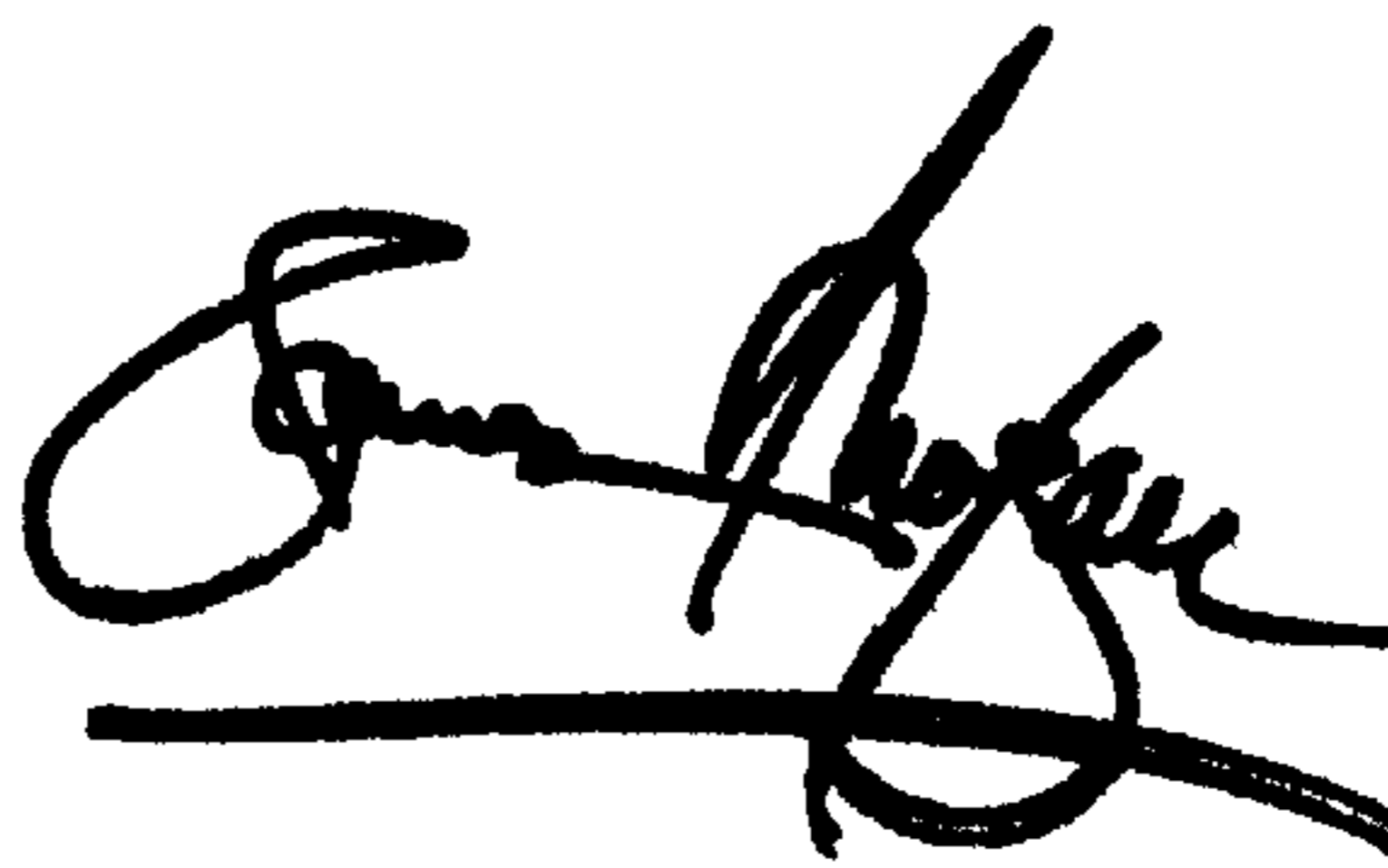
Title page,

Item [56], **References Cited**, insert in appropriate order:

-- OTHER PUBLICATIONS  
Sharp catalog, XV-Z5000 and XV-C1, Sep. 2000. --

Signed and Sealed this

Fifth Day of August, 2003

A handwritten signature in black ink, appearing to read "James E. Rogan", with a horizontal line drawn underneath it.

JAMES E. ROGAN  
*Director of the United States Patent and Trademark Office*