



US00D468334S

(12) **United States Design Patent**
Funato

(10) **Patent No.:** **US D468,334 S**

(45) **Date of Patent:** **** Jan. 7, 2003**

(54) **CAMERA**

(75) **Inventor:** **Kenichi Funato, Tokyo (JP)**

(73) **Assignee:** **Fuji Photo Film Co., Ltd., Kanagawa (JP)**

(**) **Term:** **14 Years**

(21) **Appl. No.:** **29/150,370**

(22) **Filed:** **Nov. 23, 2001**

(30) **Foreign Application Priority Data**

May 23, 2001 (JP) 2001-014769

(51) **LOC (7) Cl.** **16-01**

(52) **U.S. Cl.** **D16/212; D16/209**

(58) **Field of Search** D16/200-204,
D16/208, 209, 211, 212, 218, 219; 396/59,
348, 349, 448, 535-541

(56) **References Cited**

U.S. PATENT DOCUMENTS

- 5,508,769 A * 4/1996 Inoue et al. 396/349
- 5,708,891 A * 1/1998 Ando et al. 396/448
- 5,895,136 A * 4/1999 Grant 396/448
- D415,511 S * 10/1999 Funakoshi et al. D16/209

- D444,162 S 6/2001 Senda D16/202
- D449,324 S * 10/2001 Iue et al. D16/202
- 6,302,598 B1 * 10/2001 Shiono et al. 396/349

* cited by examiner

Primary Examiner—Adir Aronovich

(74) *Attorney, Agent, or Firm*—Young & Thompson

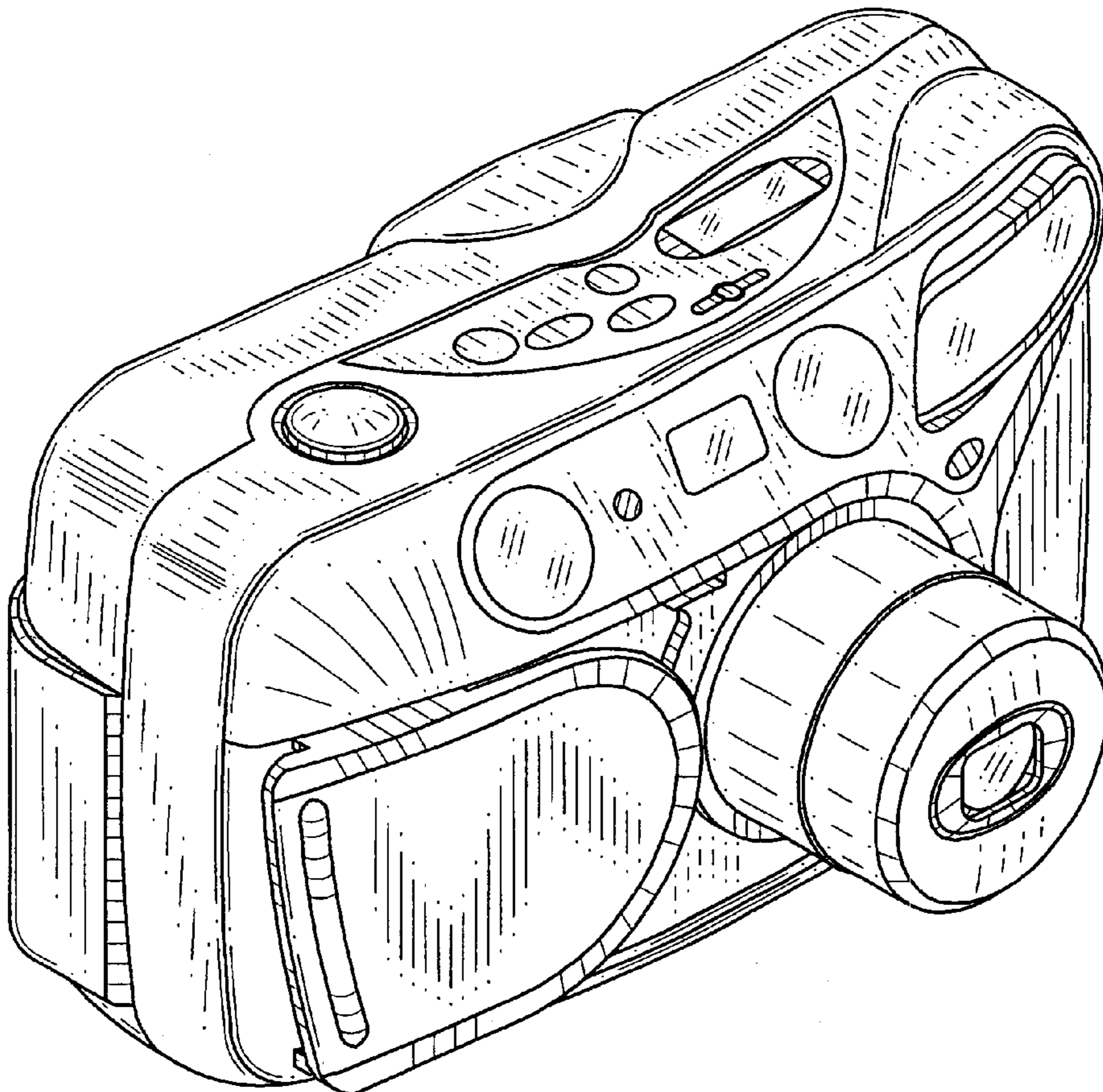
(57) **CLAIM**

The ornamental design for a camera, as shown and described.

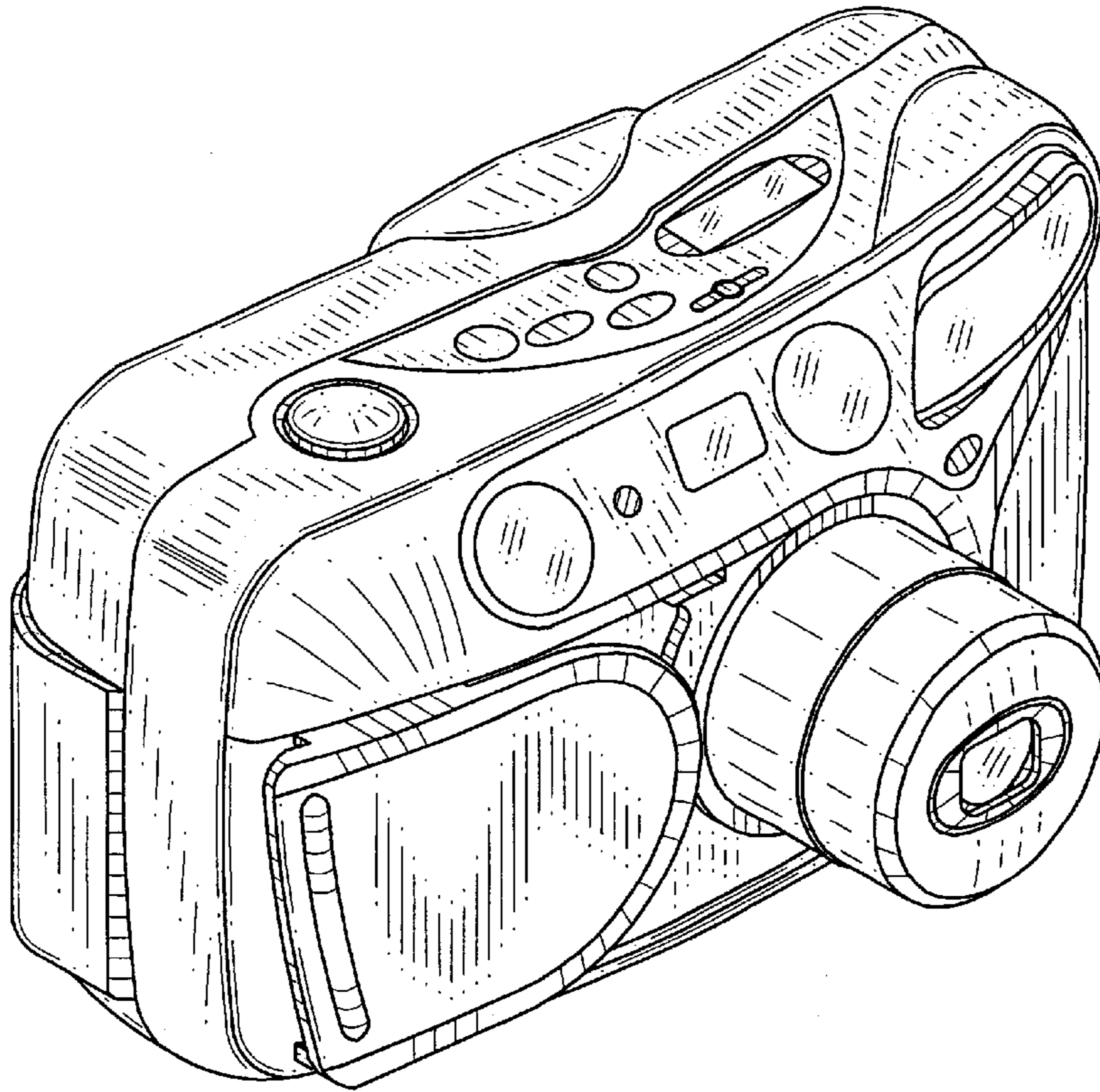
DESCRIPTION

FIG. 1 is a top, front, and side perspective view of a camera showing my new design;
 FIG. 2 is a front elevational view thereof;
 FIG. 3 is a rear elevational view thereof;
 FIG. 4 is a top plan view thereof;
 FIG. 5 is a bottom plan view thereof;
 FIG. 6 is a side elevational view thereof from the right of FIG. 2;
 FIG. 7 is a side elevational view thereof from the left of FIG. 2; and,
 FIG. 8 is a view similar to FIG. 2 but showing the parts in a different position.

1 Claim, 4 Drawing Sheets



F I G . 1



F I G . 2

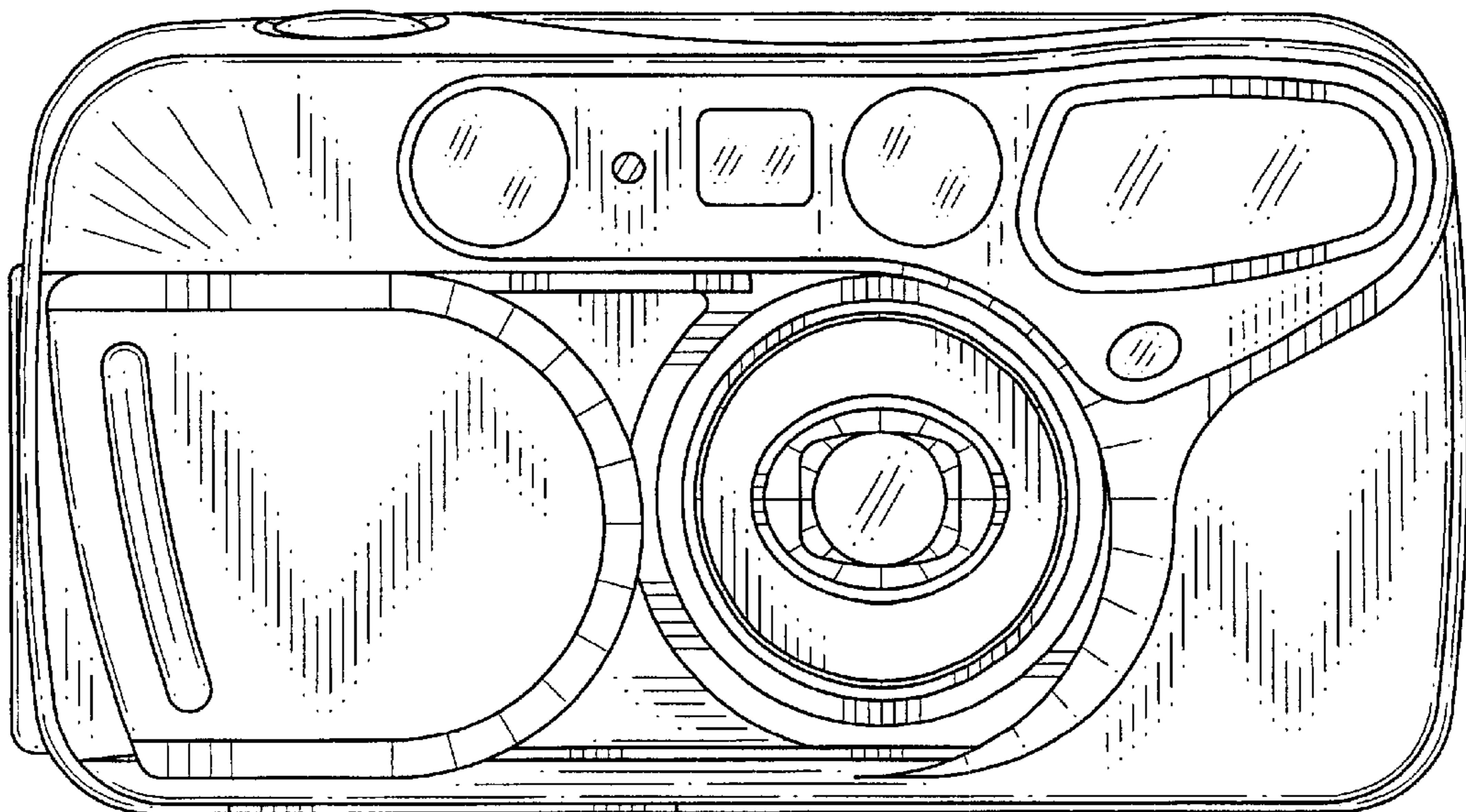


FIG. 3

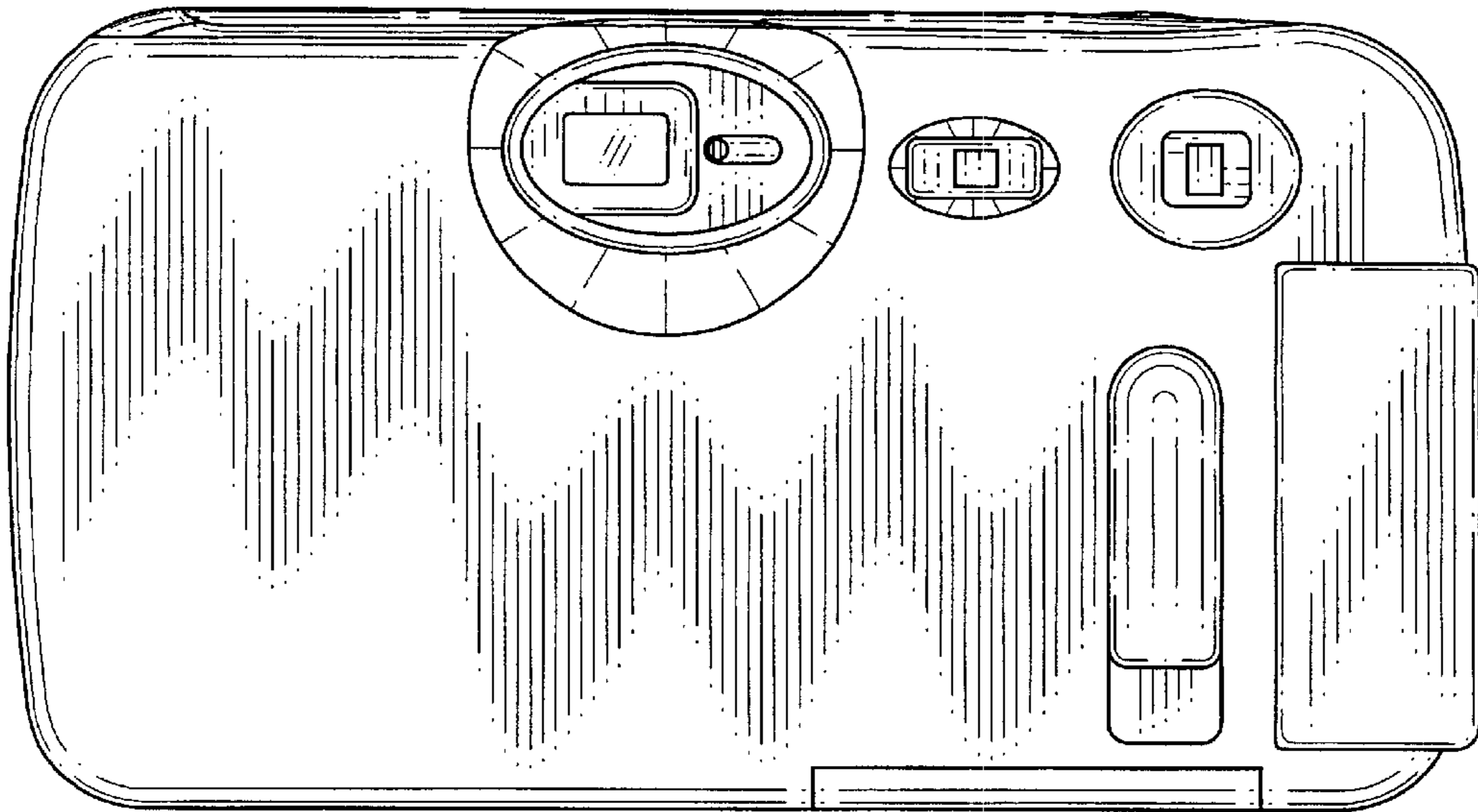
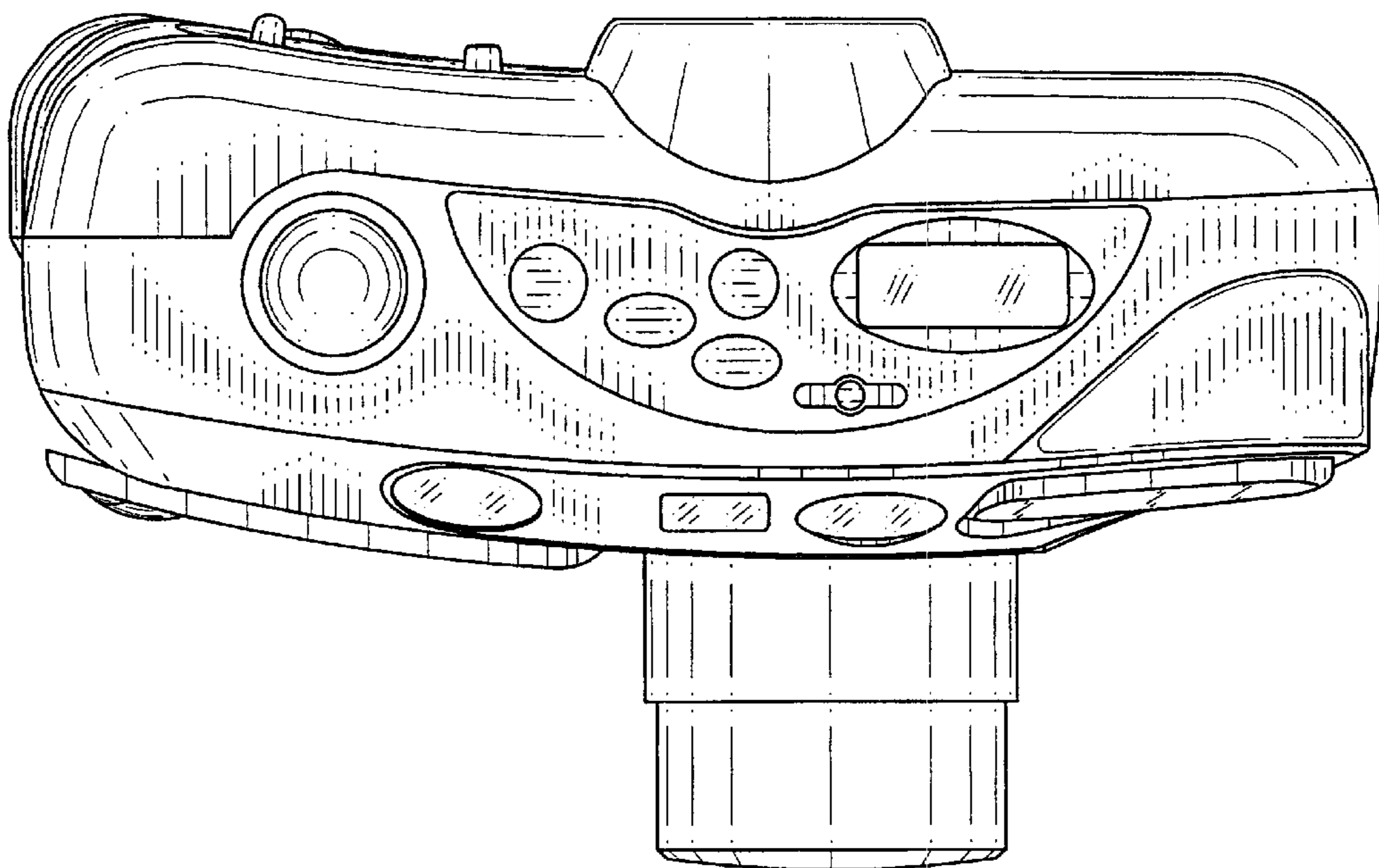
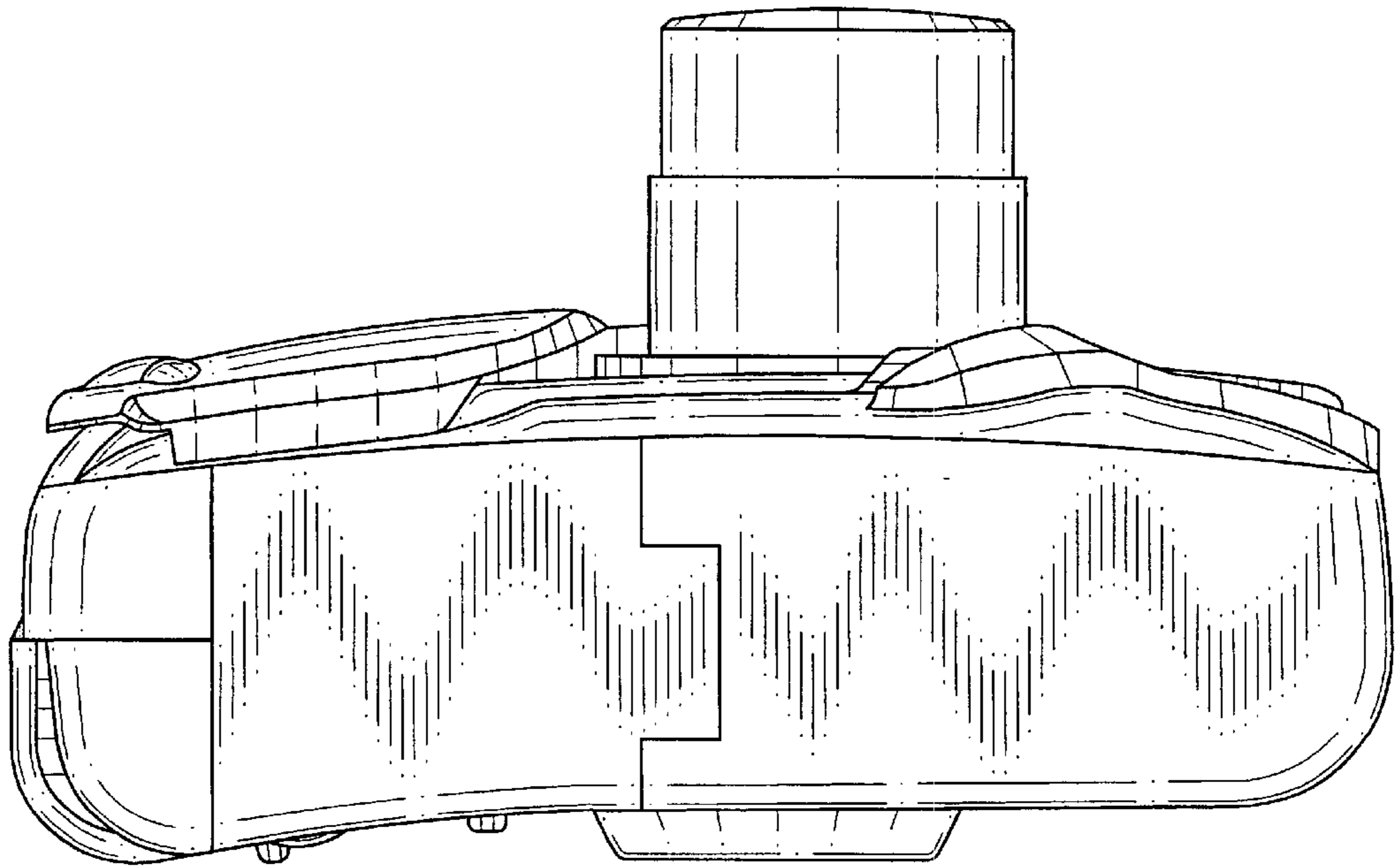


FIG. 4



F I G . 5



F I G . 6

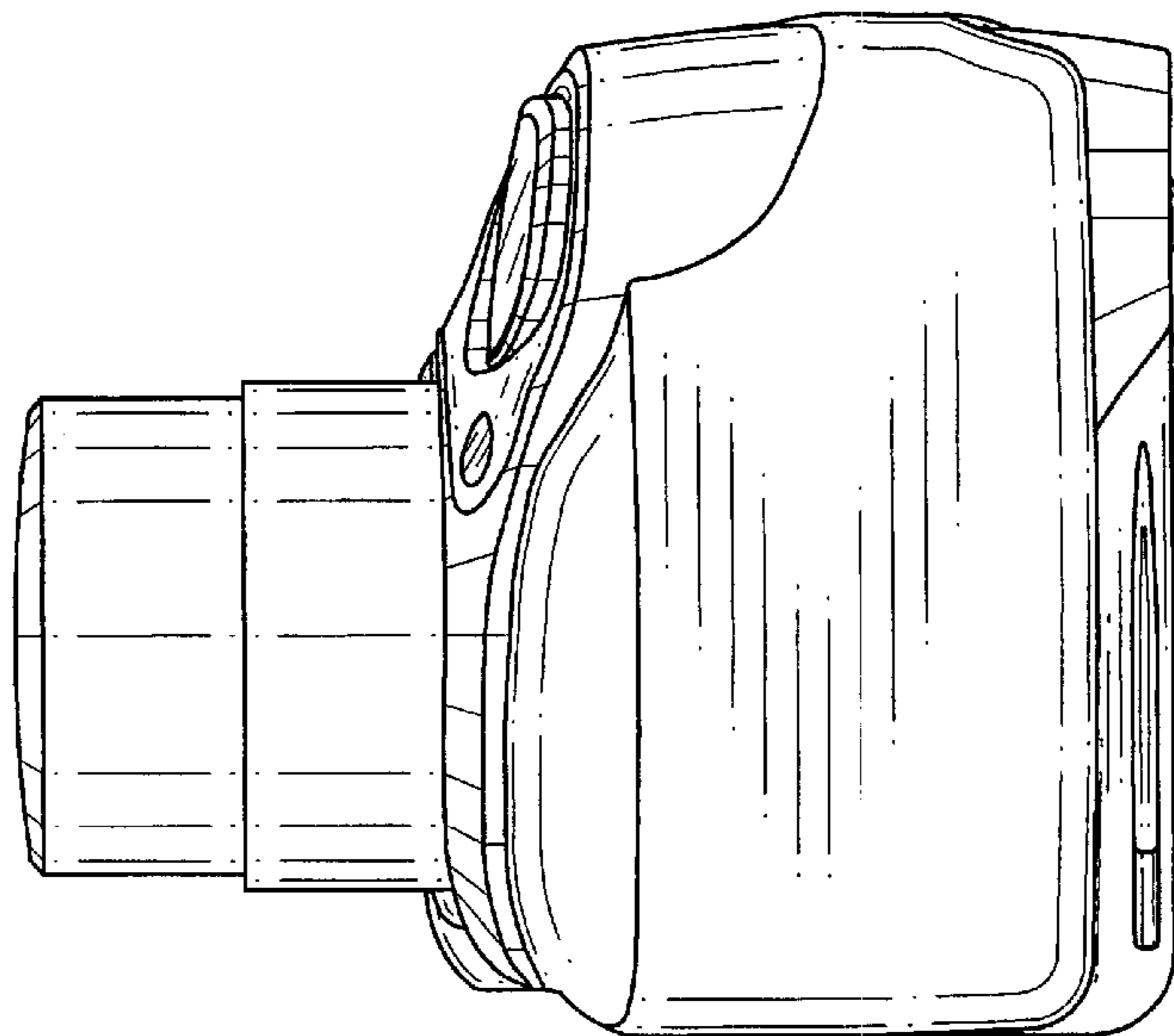


FIG. 7

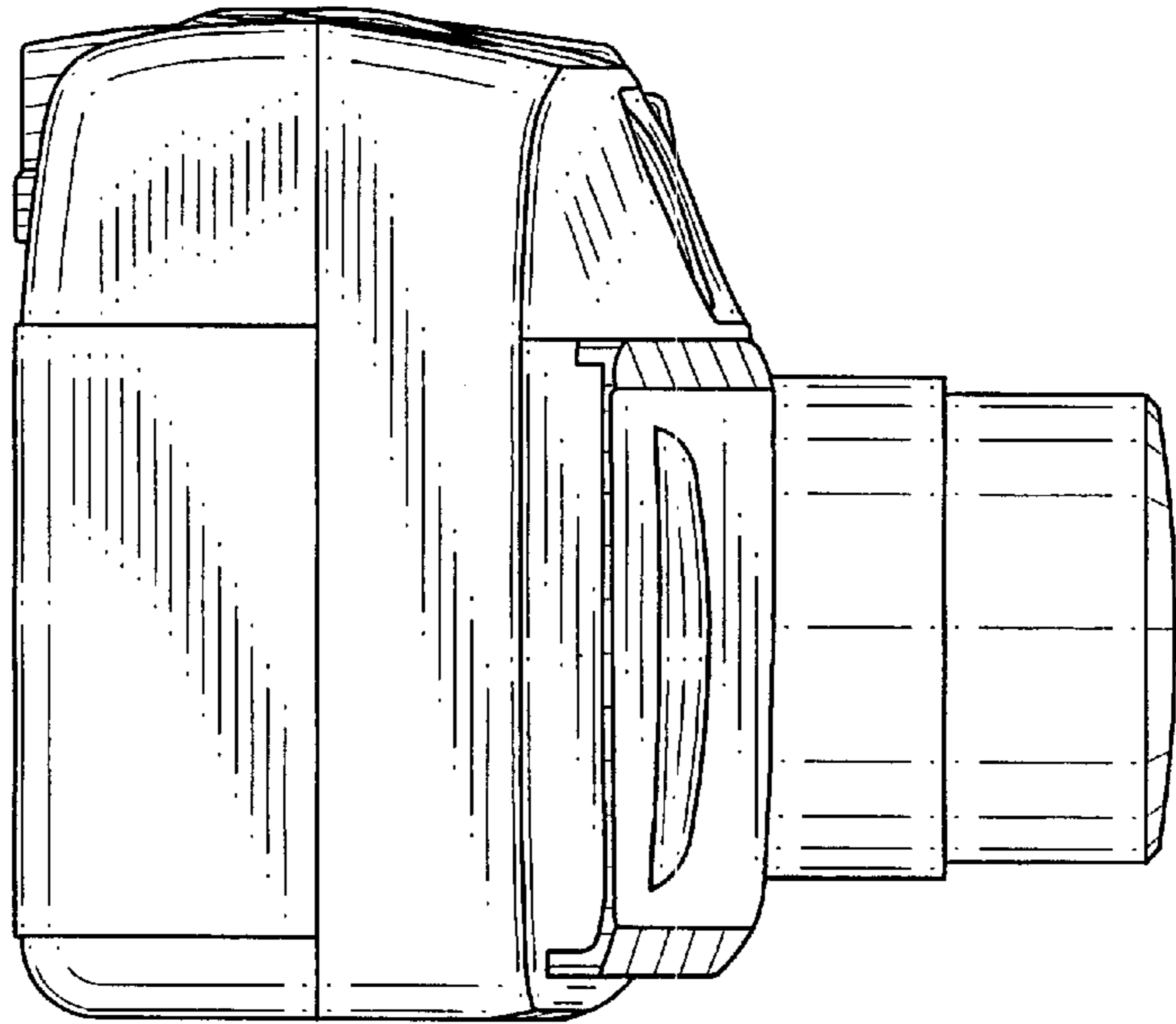


FIG. 8

