



US00D468332S

(12) **United States Design Patent**  
**Ito**

(10) **Patent No.:** **US D468,332 S**

(45) **Date of Patent:** **\*\* Jan. 7, 2003**

(54) **DIGITAL CAMERA**

(75) Inventor: **Hideki Ito**, Kawagoe (JP)

(73) Assignee: **Canon Kabushiki Kaisha**, Tokyo (JP)

(\*\*) Term: **14 Years**

(21) Appl. No.: **29/156,958**

(22) Filed: **Mar. 12, 2002**

(30) **Foreign Application Priority Data**

Sep. 20, 2001 (JP) ..... 2001-027630

(51) **LOC (7) Cl.** ..... **16-01**

(52) **U.S. Cl.** ..... **D16/202; D16/218**

(58) **Field of Search** ..... **D16/200-204,**  
**D16/208, 209, 218, 219, 211, 212; 396/429,**  
**448, 535-541**

(56) **References Cited**

**U.S. PATENT DOCUMENTS**

4,557,574 A \* 12/1985 Kohno et al. .... 396/448  
D369,372 S \* 4/1996 Ishikawa et al. .... D16/218  
D410,018 S \* 5/1999 Tashiro ..... D16/202

D412,518 S \* 8/1999 Naito ..... D16/212

D423,544 S \* 4/2000 Yamamoto et al. .... D16/218

D430,183 S 8/2000 Ito ..... D16/202

2002/0081115 A1 \* 6/2002 Suzuki et al. .... 396/429

\* cited by examiner

*Primary Examiner*—Adir Aronovich

(74) *Attorney, Agent, or Firm*—Fitzpatrick, Cella, Harper & Scinto

(57) **CLAIM**

The ornamental design for a digital camera, as shown and described.

**DESCRIPTION**

FIG. 1 is a front view of a digital camera showing my new design;

FIG. 2 is a rear view thereof;

FIG. 3 is a top plan view thereof;

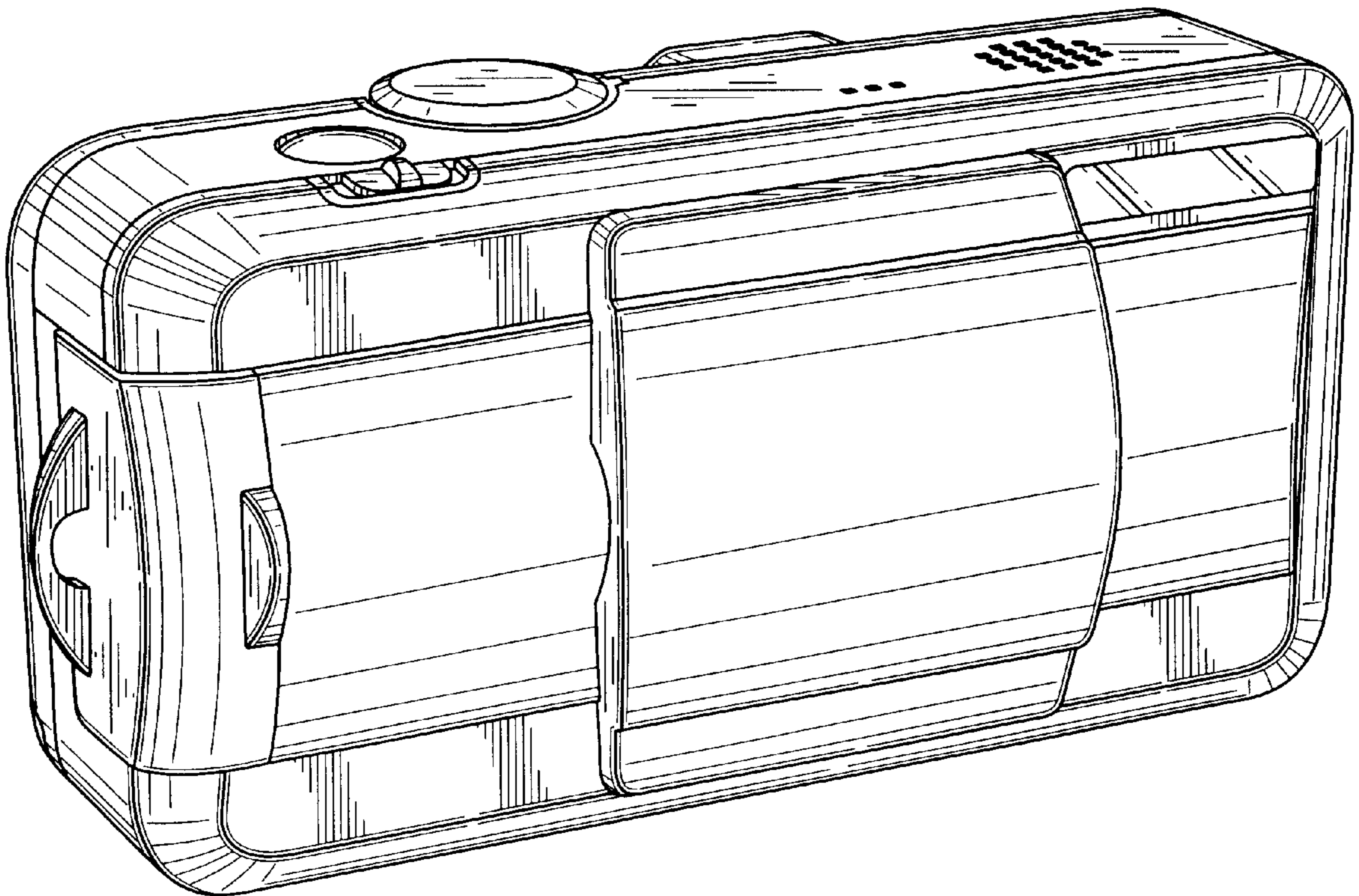
FIG. 4 is a bottom plan view thereof;

FIG. 5 is a left side view thereof;

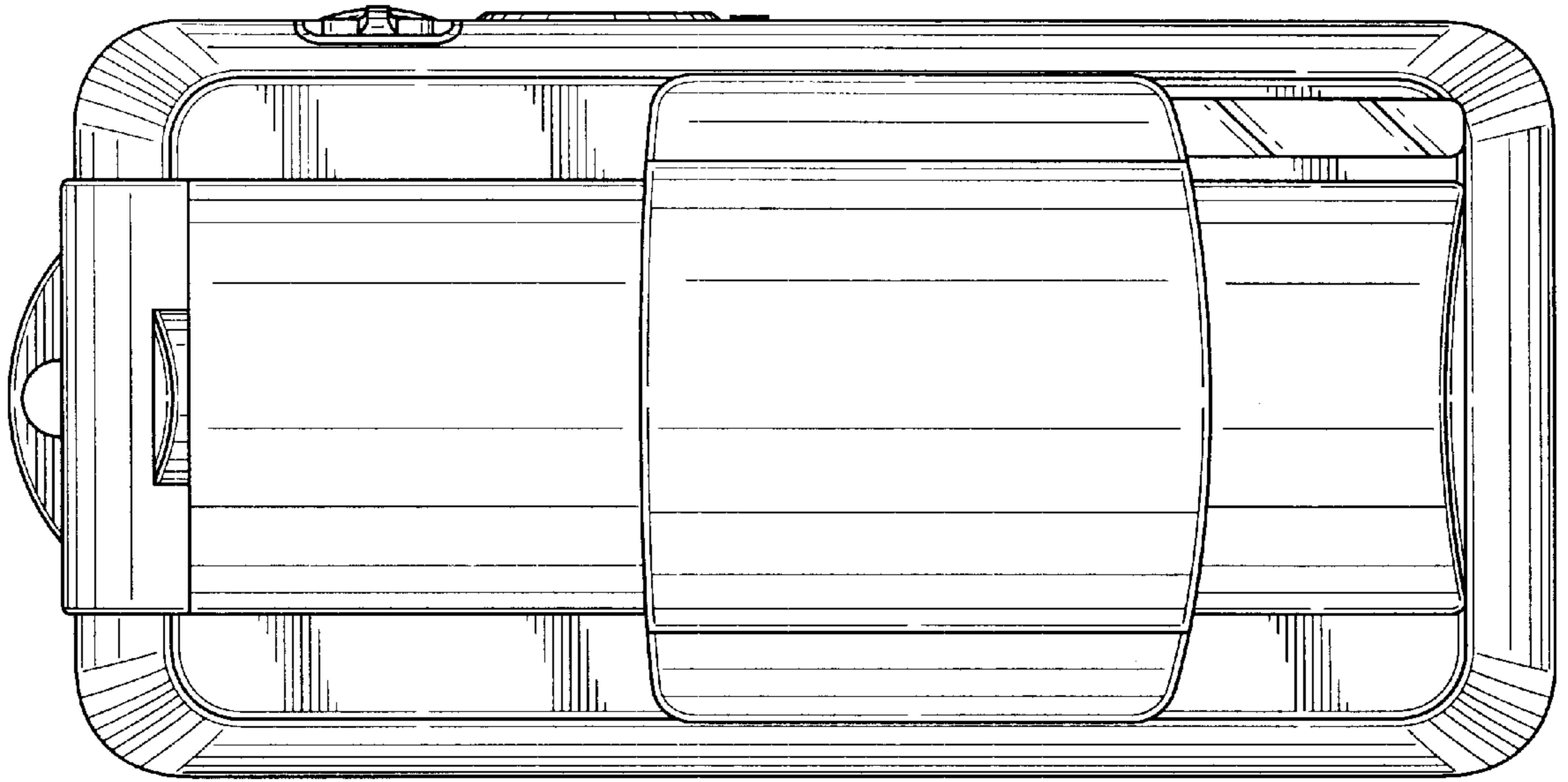
FIG. 6 is a right side view thereof; and,

FIG. 7 is a perspective view thereof.

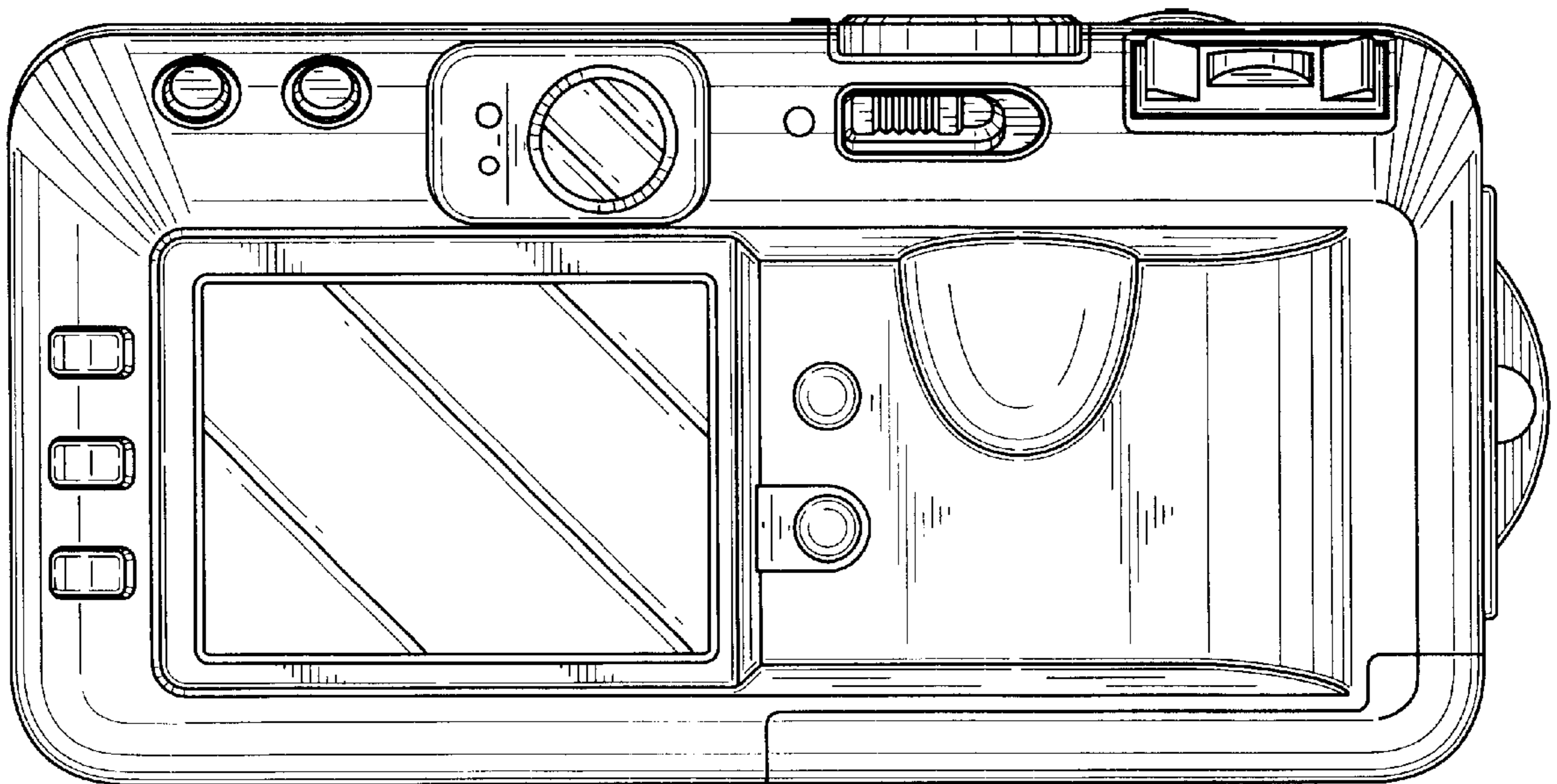
**1 Claim, 4 Drawing Sheets**



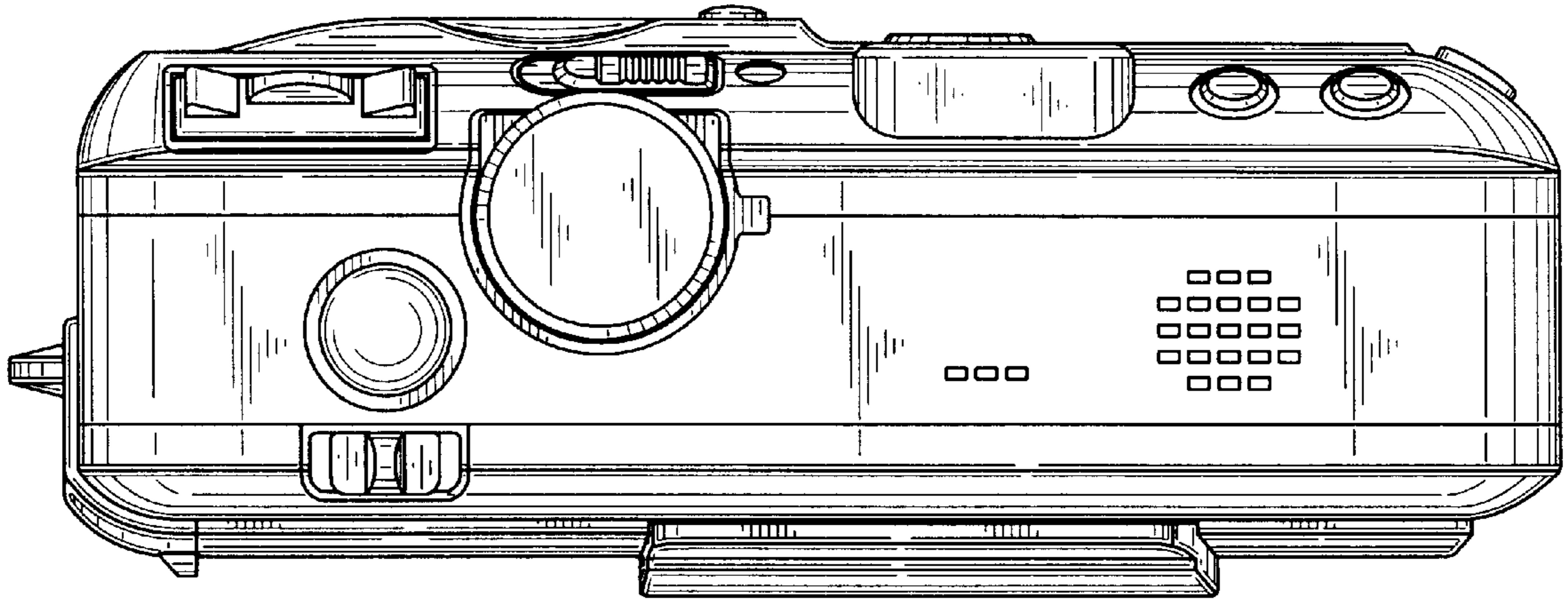
*FIG. 1*



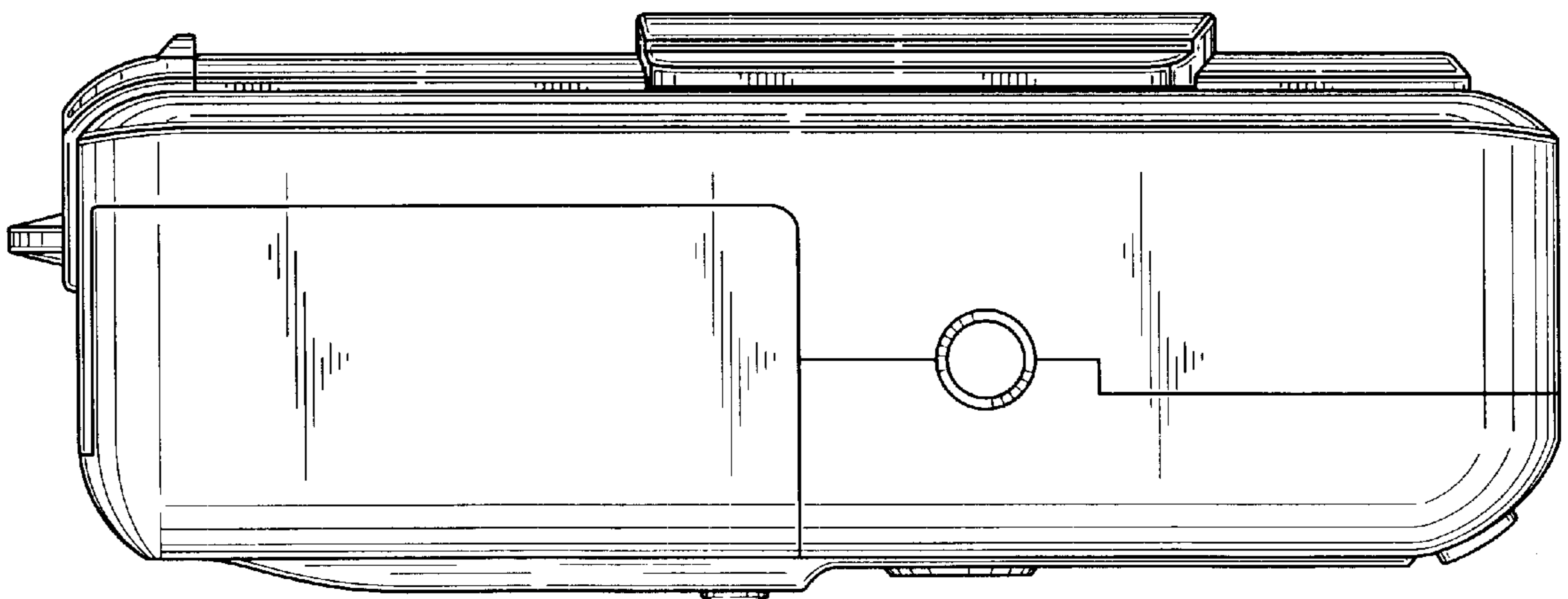
*FIG. 2*



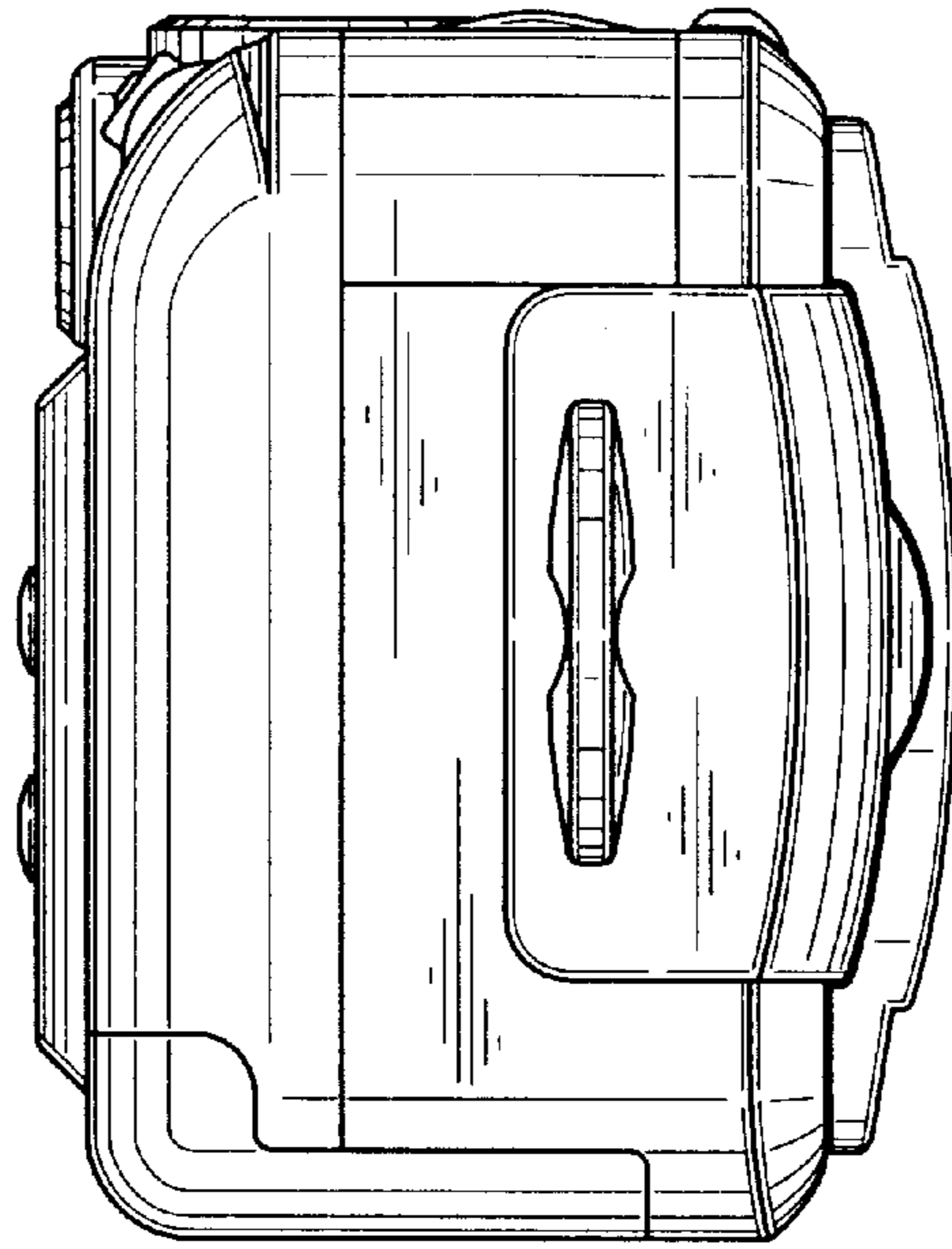
*FIG. 3*



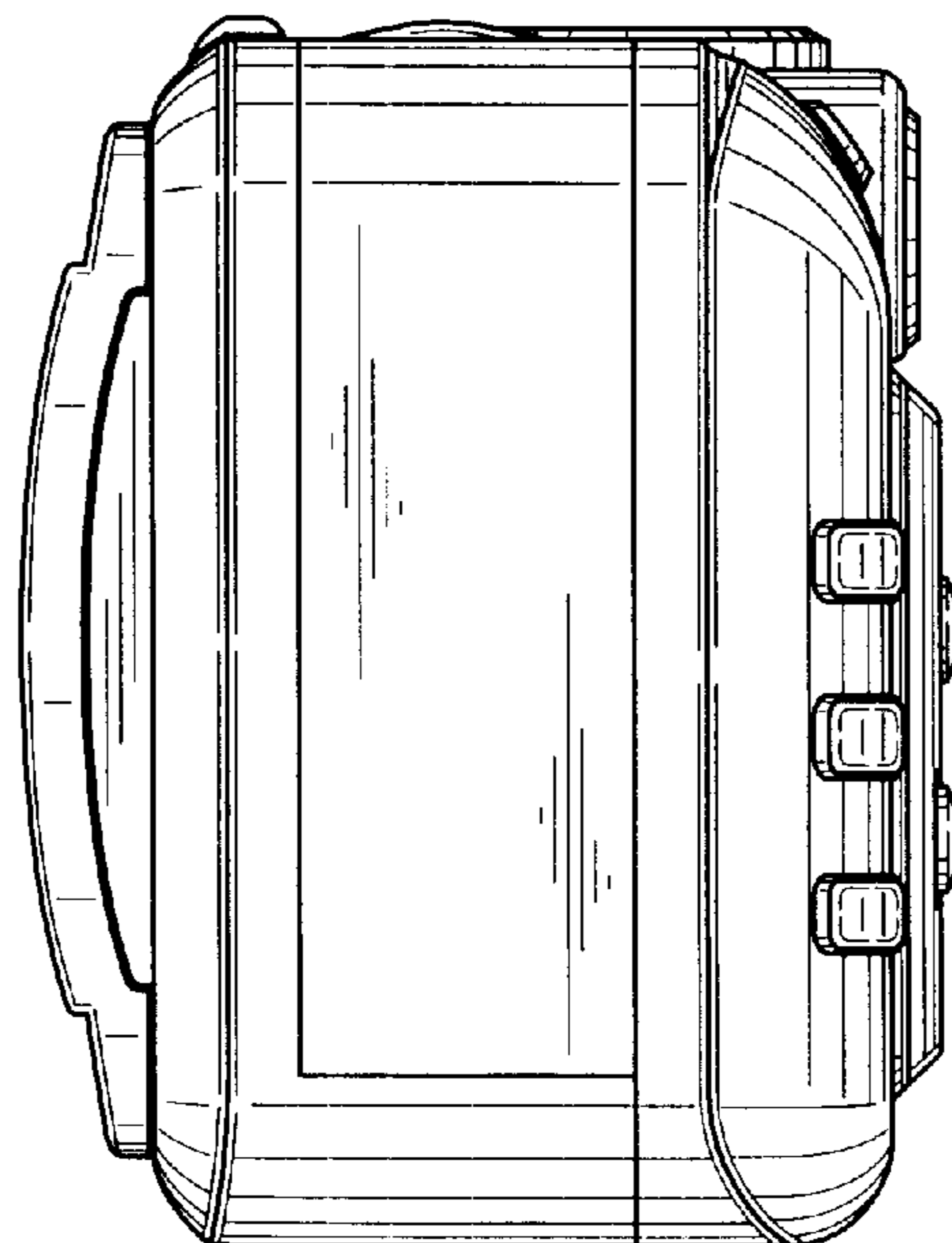
*FIG. 4*



**FIG. 5**



**FIG. 6**



*FIG. 7*

