



US00D468329S

(12) **United States Design Patent**  
**Kwak**

(10) **Patent No.:** **US D468,329 S**

(45) **Date of Patent:** **\*\* Jan. 7, 2003**

(54) **DOOR FOR A REFRIGERATOR**

(75) Inventor: **Ssang Sin Kwak**, Seoul (KR)

(73) Assignee: **LG Electronics Inc.**, Seoul (KR)

(\*\*) Term: **14 Years**

(21) Appl. No.: **29/150,803**

(22) Filed: **Nov. 30, 2001**

(30) **Foreign Application Priority Data**

Jun. 2, 2001 (KR) ..... 2001-0014973

(51) **LOC (7) Cl.** ..... **15-07**

(52) **U.S. Cl.** ..... **D15/91**

(58) **Field of Search** ..... D21/79-91; 211/49.1,  
211/74, 75, 88, 90, 126, 153; 312/116,  
117, 236, 401, 404, 406, 407, 407.1, 408

(56) **References Cited**

**U.S. PATENT DOCUMENTS**

D253,536 S \* 11/1979 Shibata et al. .... D15/85  
D266,000 S \* 8/1982 Kawakami ..... D15/88

5,567,029 A \* 10/1996 Haenisch et al. .... 312/405.1  
D382,572 S \* 8/1997 Greenway et al. .... D15/89  
D405,099 S \* 2/1999 Wood ..... D15/89

\* cited by examiner

*Primary Examiner*—Mitchell Siegel

(74) *Attorney, Agent, or Firm*—Birch, Stewart, Kolasch & Birch, LLP

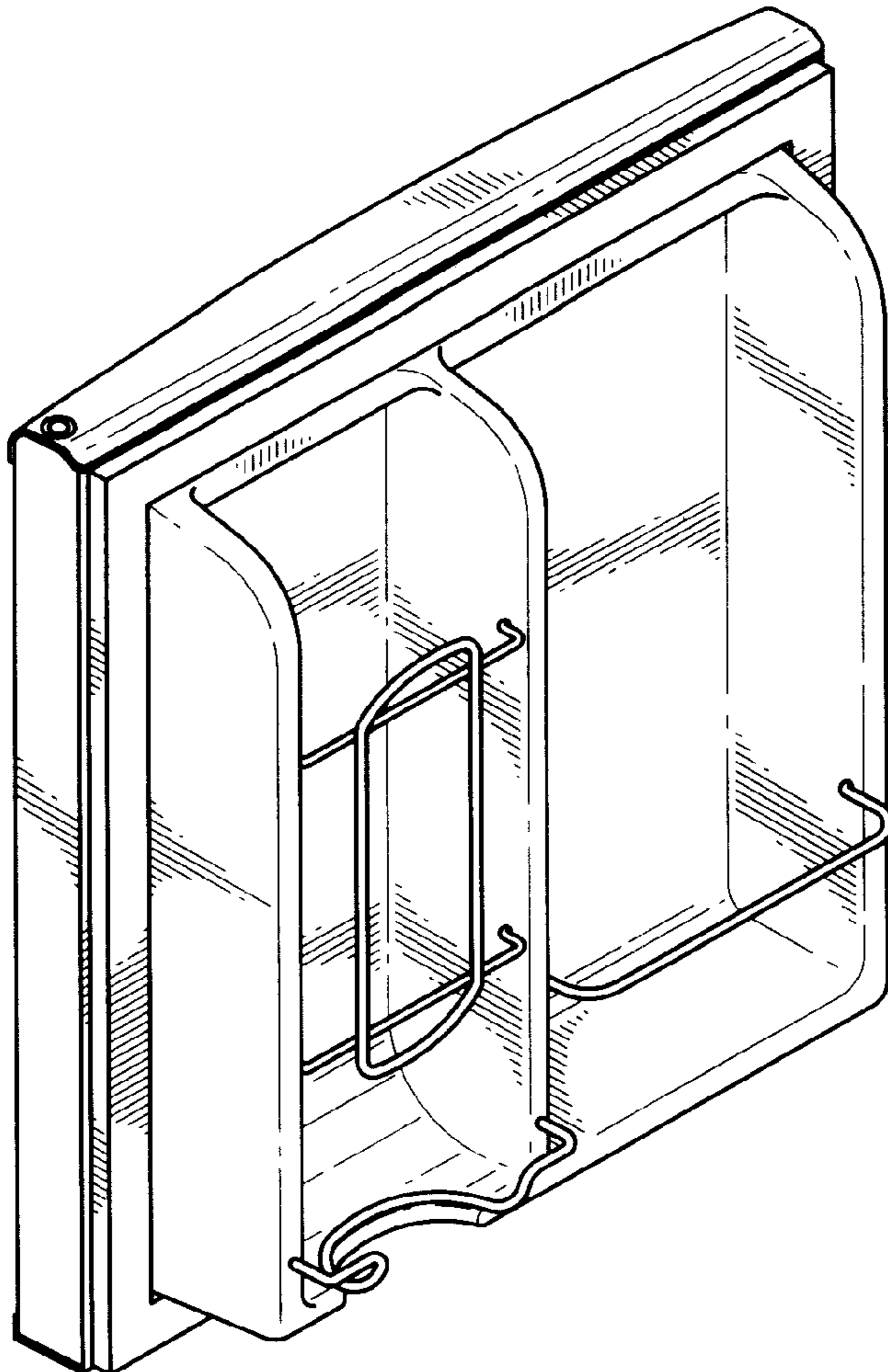
(57) **CLAIM**

The ornamental design for a door for a refrigerator, substantially as shown and described.

**DESCRIPTION**

FIG. 1 is a perspective view of the door for a refrigerator showing my new design;  
FIG. 2 is a front elevational view thereof;  
FIG. 3 is a rear elevational view thereof;  
FIG. 4 is a left side elevational view thereof;  
FIG. 5 is a right side elevational view thereof;  
FIG. 6 is a top plan view thereof; and,  
FIG. 7 is a bottom plan view thereof.

**1 Claim, 2 Drawing Sheets**



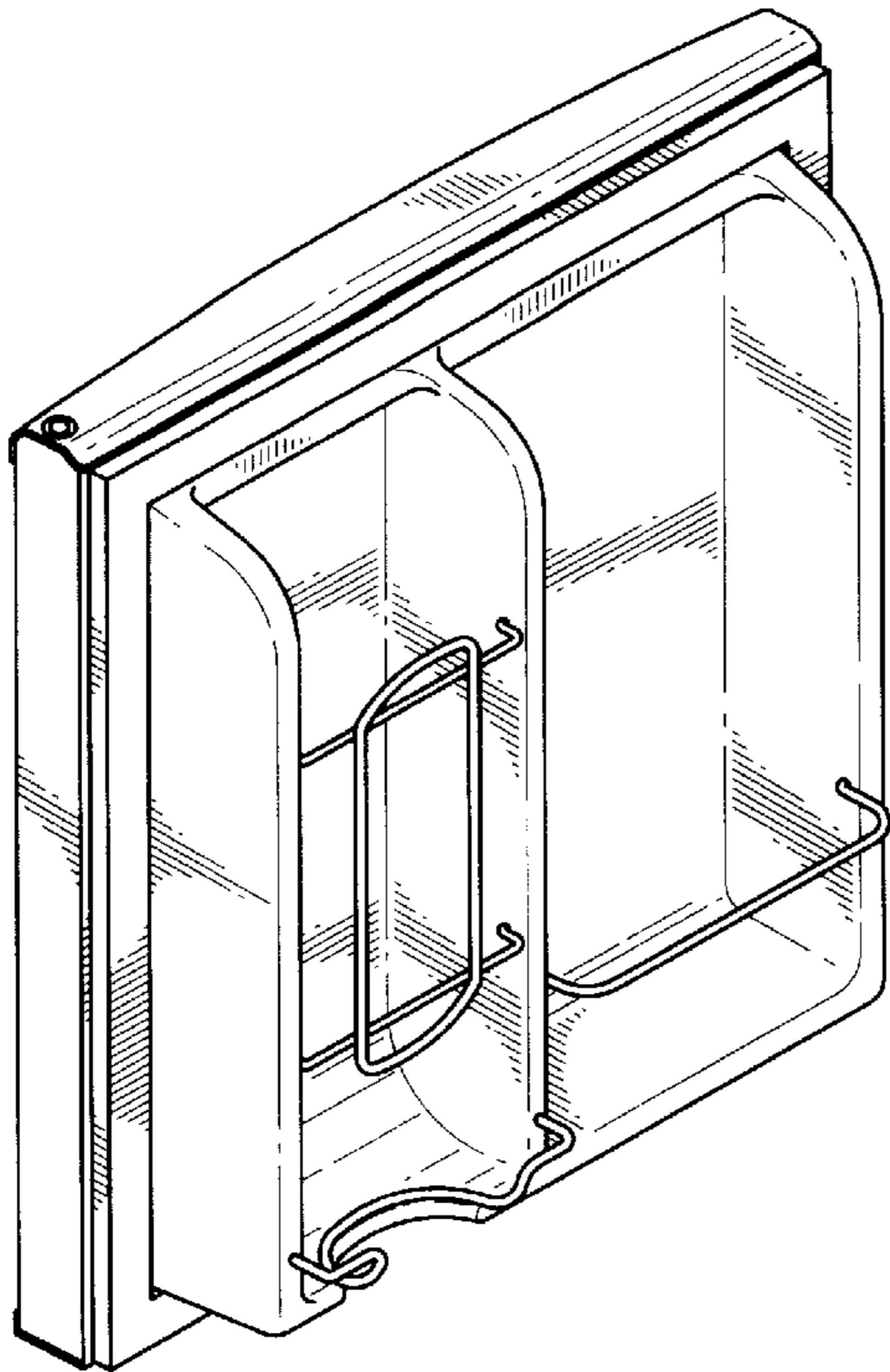


FIG. 1

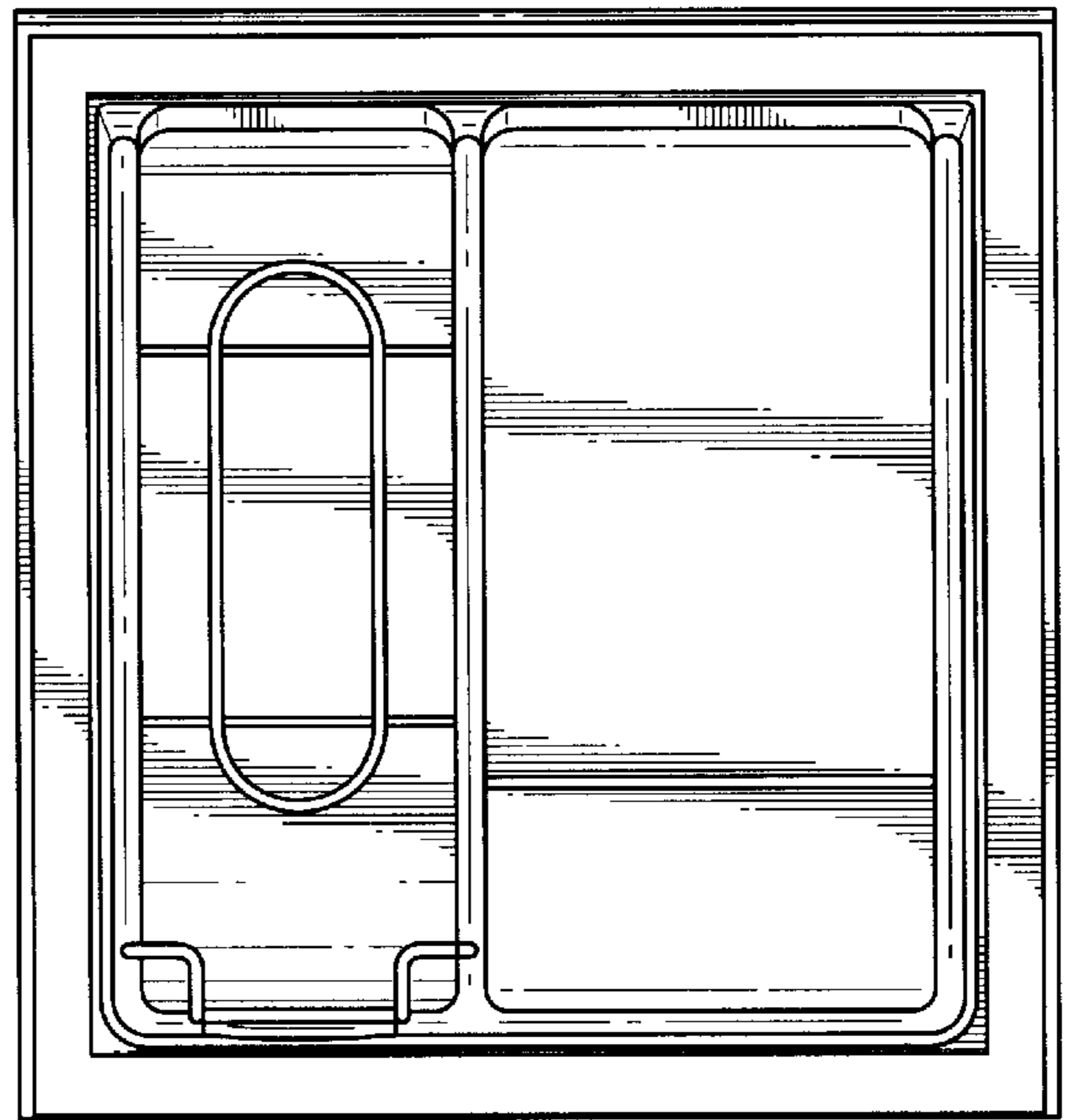


FIG. 2

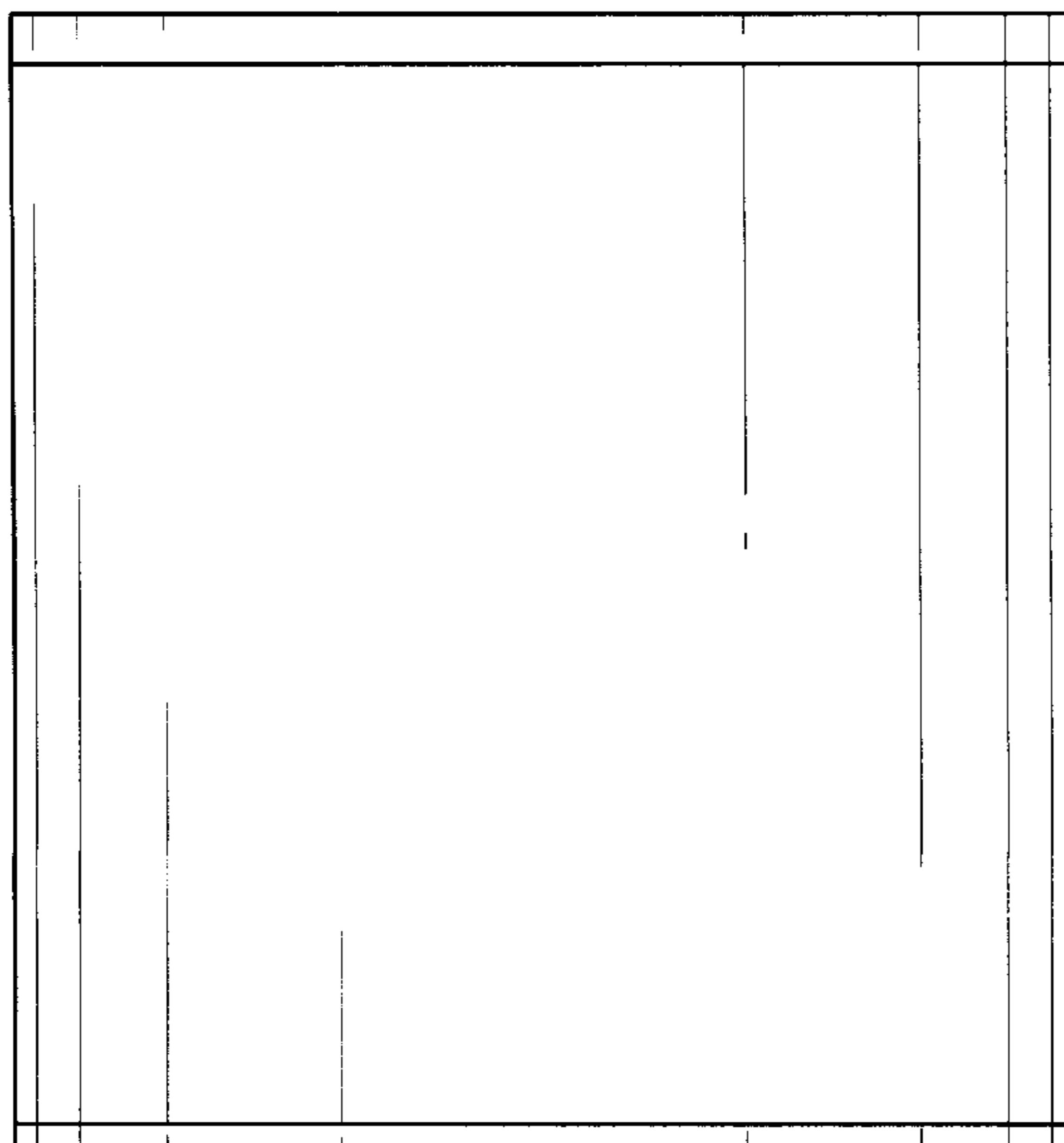


FIG. 3

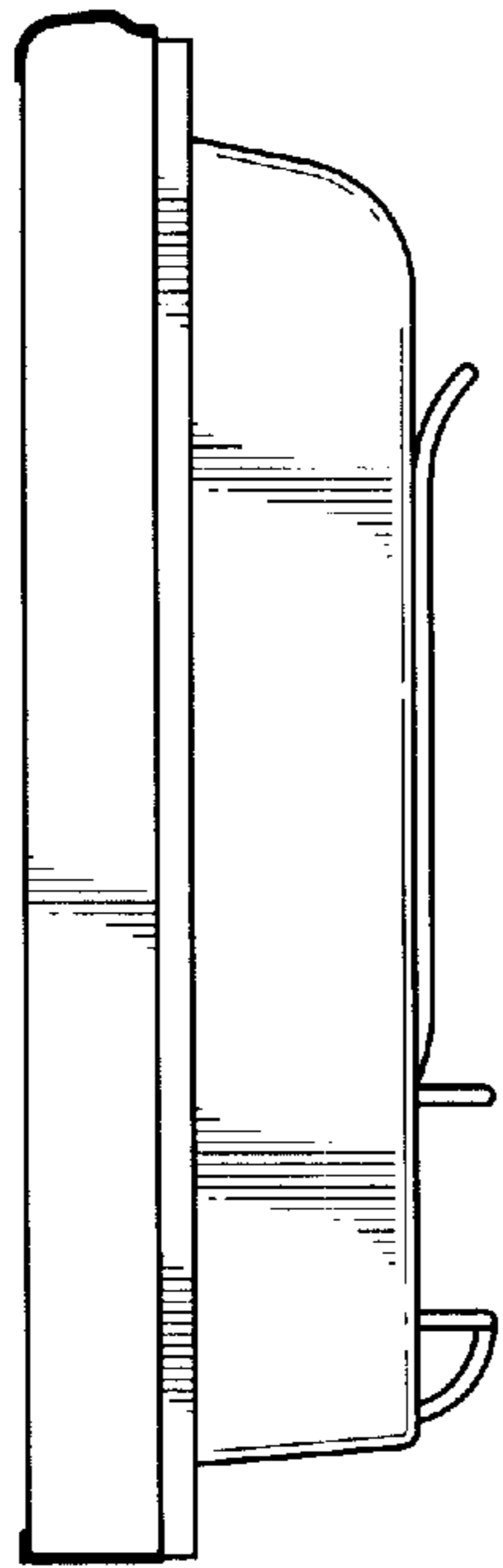


FIG. 4

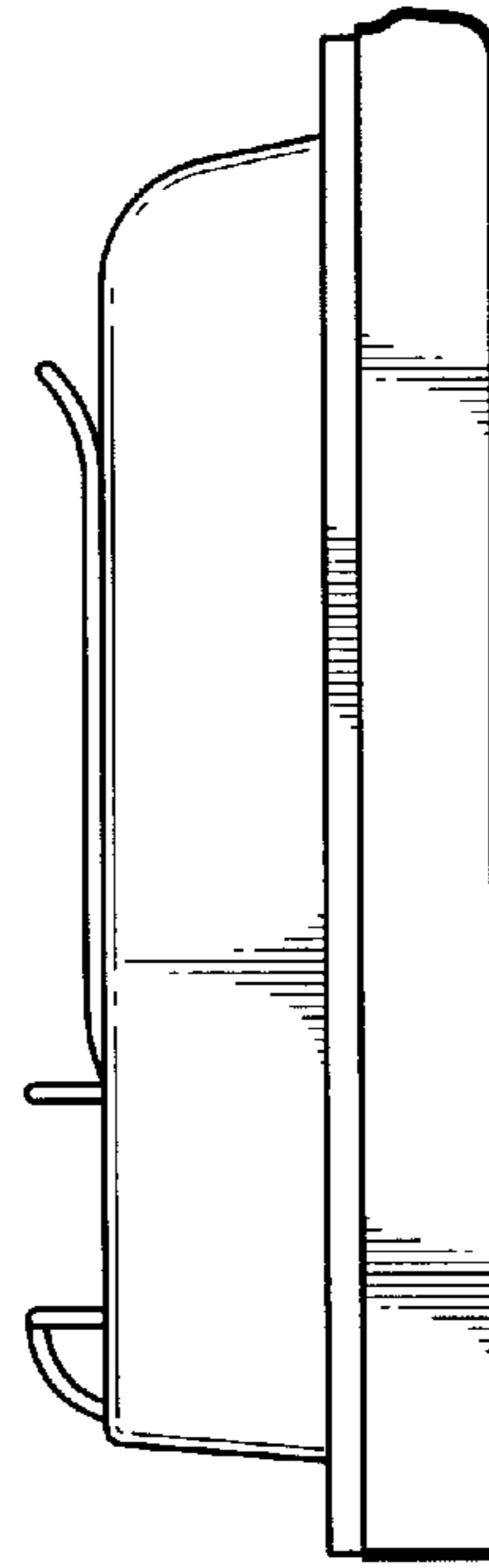


FIG. 5

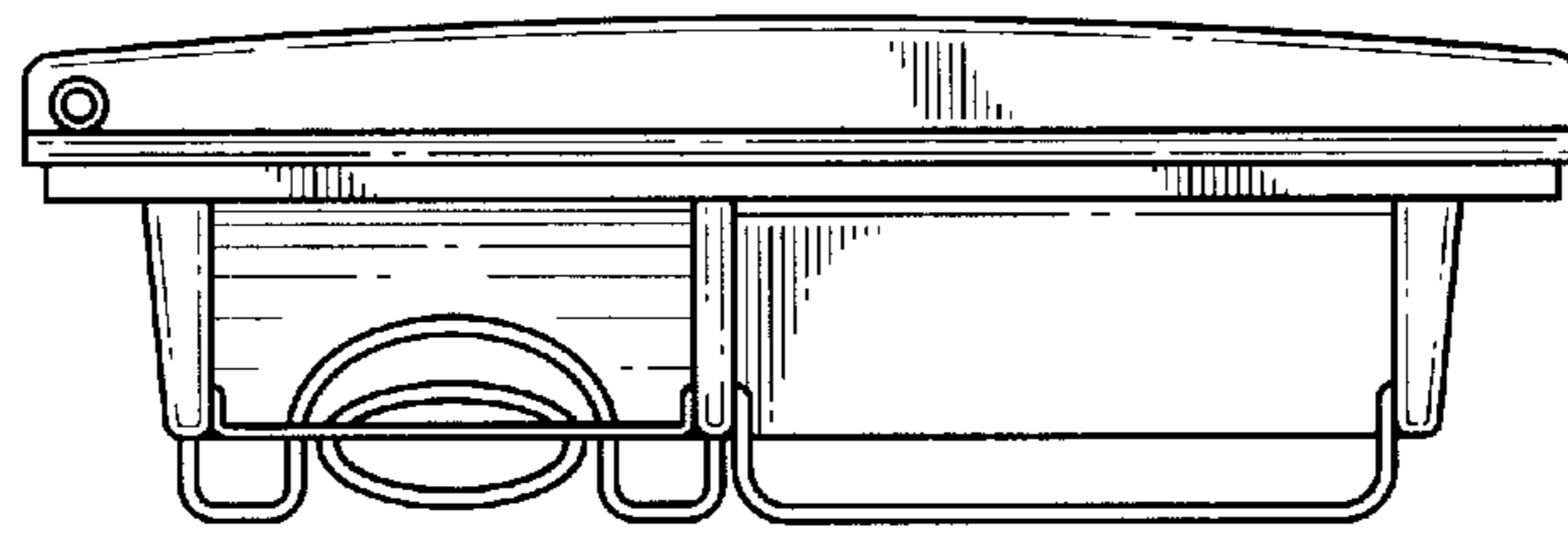


FIG. 6

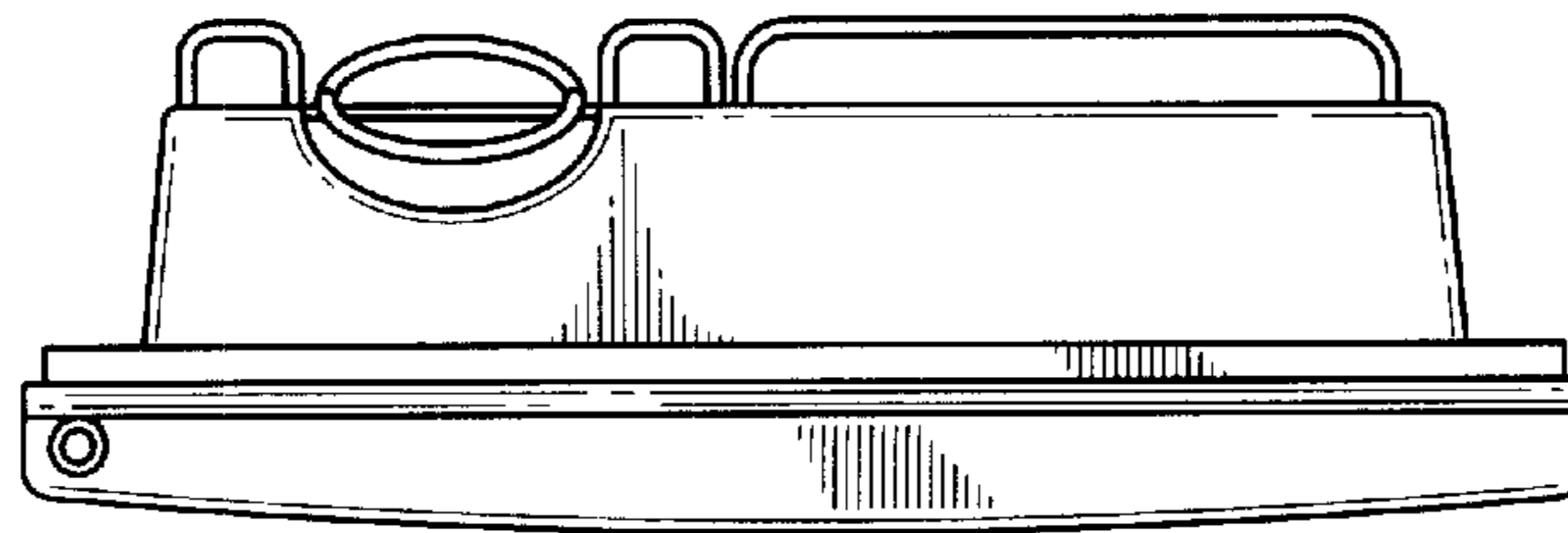


FIG. 7