



US00D468324S

(12) **United States Design Patent**
Tsai

(10) **Patent No.:** **US D468,324 S**

(45) **Date of Patent:** **** Jan. 7, 2003**

(54) **CYLINDER BED SEWING MACHINE**

6,318,282 B1 * 11/2001 Tsai 112/286

(75) Inventor: **Wen-Chen Tsai, Tu-Chen (TW)**

* cited by examiner

(73) Assignee: **Kaulin Mfg. Co., Ltd., Taipei (TW)**

Primary Examiner—Mitchell Siegel

(**) Term: **14 Years**

(74) *Attorney, Agent, or Firm*—Thomas Schneck

(21) Appl. No.: **29/150,453**

(57) **CLAIM**

(22) Filed: **Nov. 16, 2001**

The shape of the cylinder bed sewing machine, as shown in the accompanying drawings.

(51) **LOC (7) Cl.** **15-06**

DESCRIPTION

(52) **U.S. Cl.** **D15/69**

FIG. 1 is the three dimensional view of the present design;

(58) **Field of Search** D15/66, 69-71;

FIG. 2 is the front view of the present design;

112/260, 258, 217.1-217.4, 475.01-475.26,
286

FIG. 3 is the rear view of the present design;

FIG. 4 is the left side view of the present design;

FIG. 5 is the right side view of the present design;

FIG. 6 is the top view of the present design; and,

FIG. 7 is the bottom view of the present design.

(56) **References Cited**

U.S. PATENT DOCUMENTS

4,220,103 A * 9/1980 Kasahara et al. 112/260

D375,104 S * 10/1996 Shibuya D15/69

1 Claim, 7 Drawing Sheets

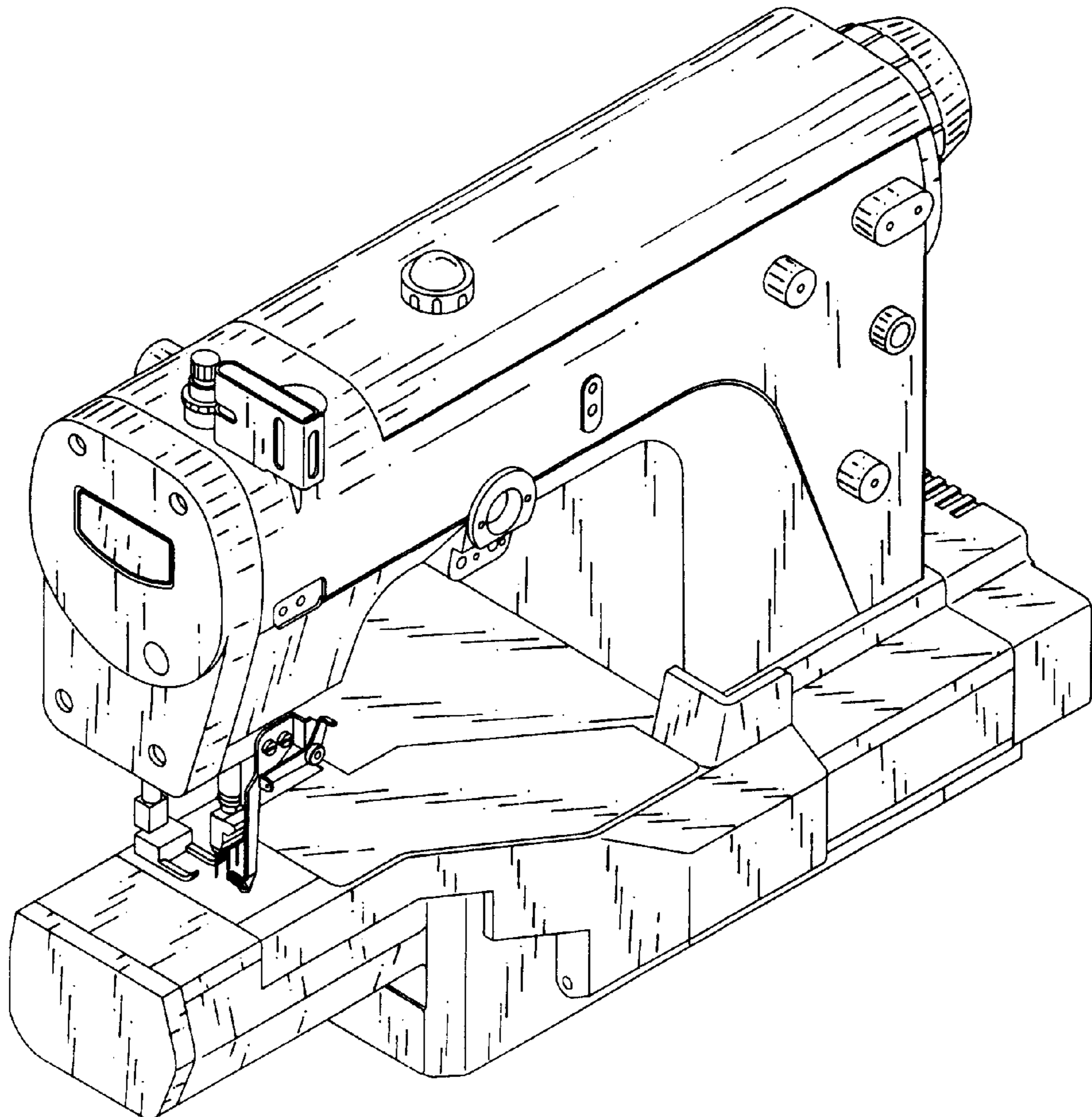


Fig. 1

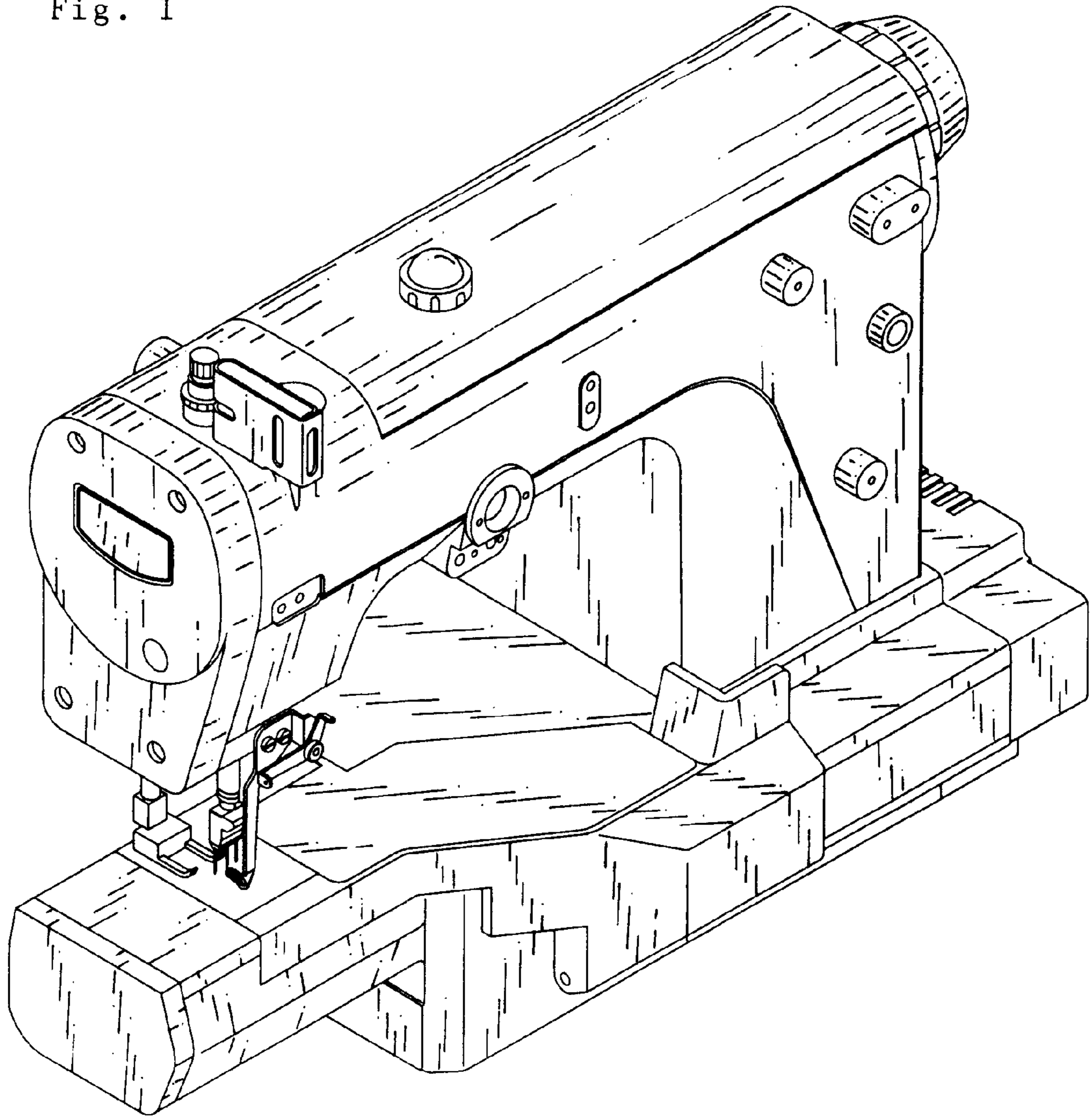


Fig. 2

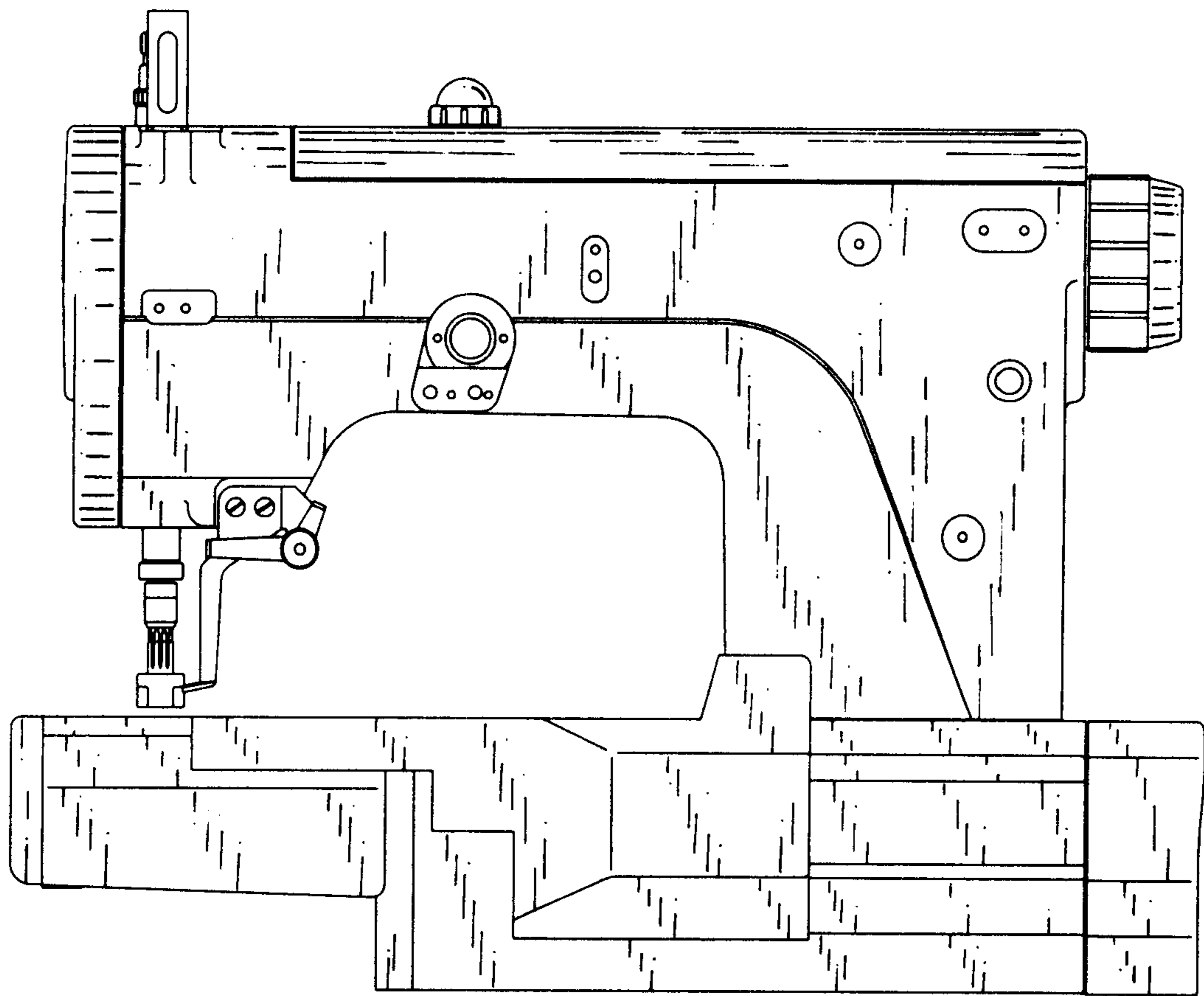


Fig. 3

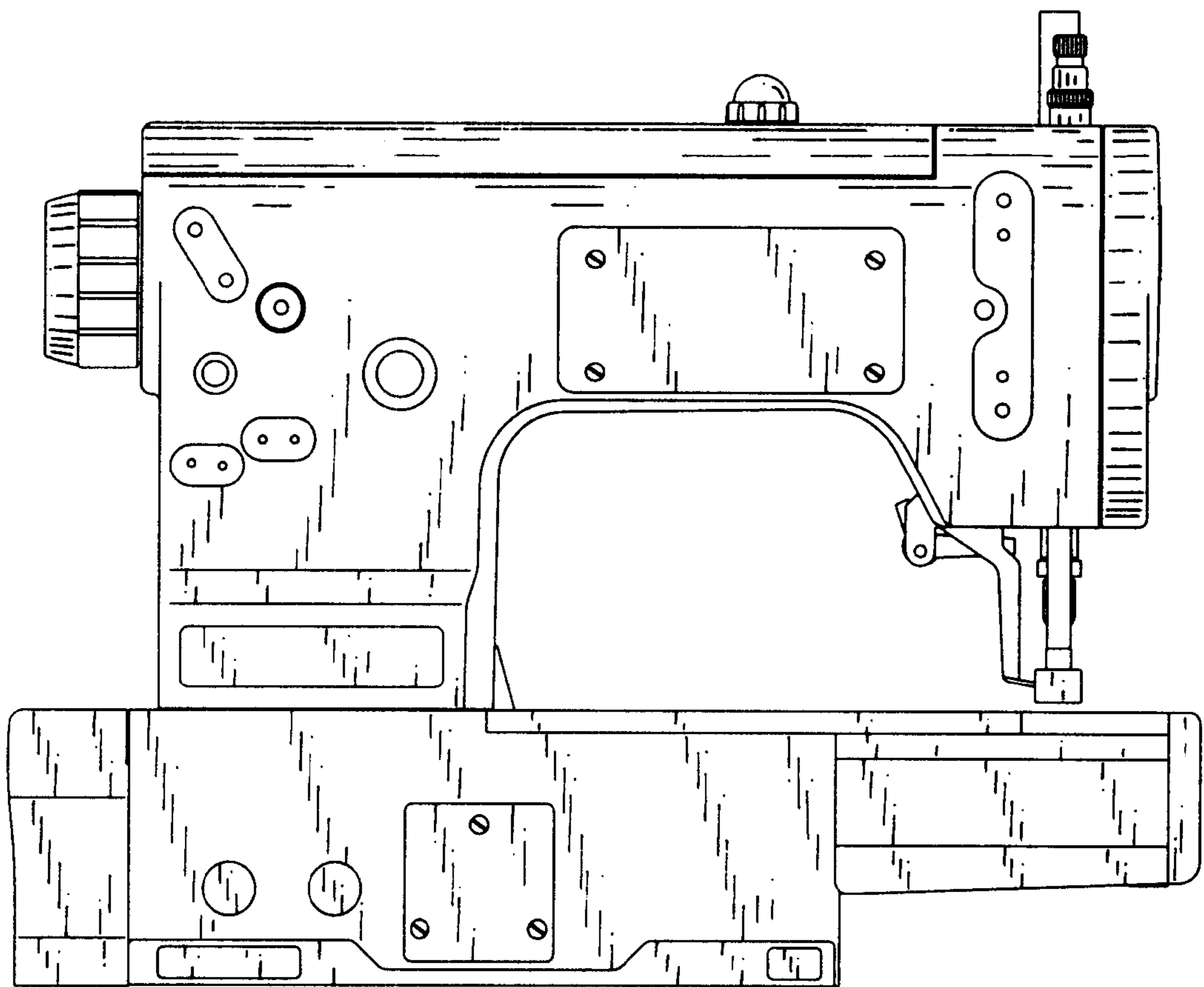


Fig. 4

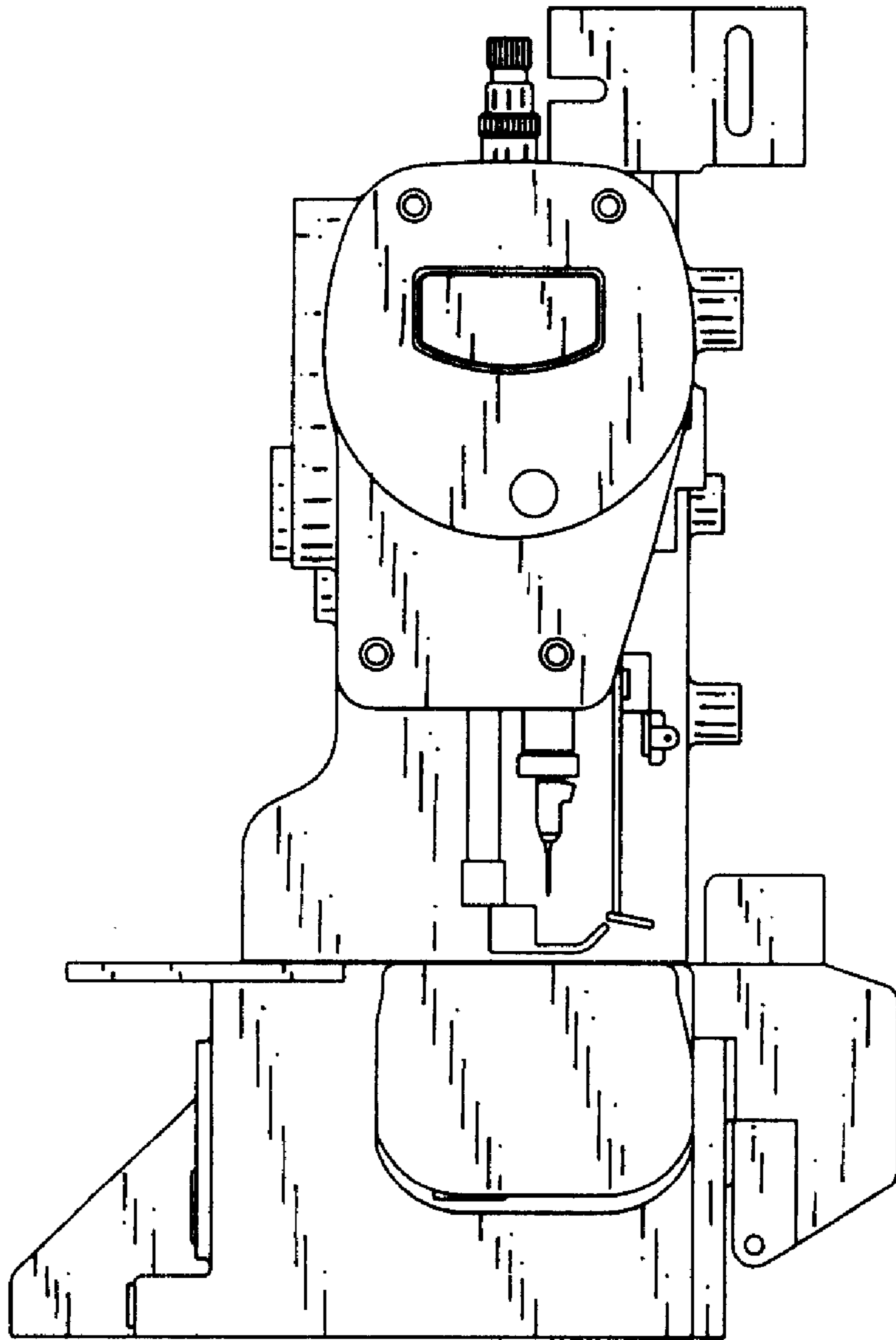


Fig. 5

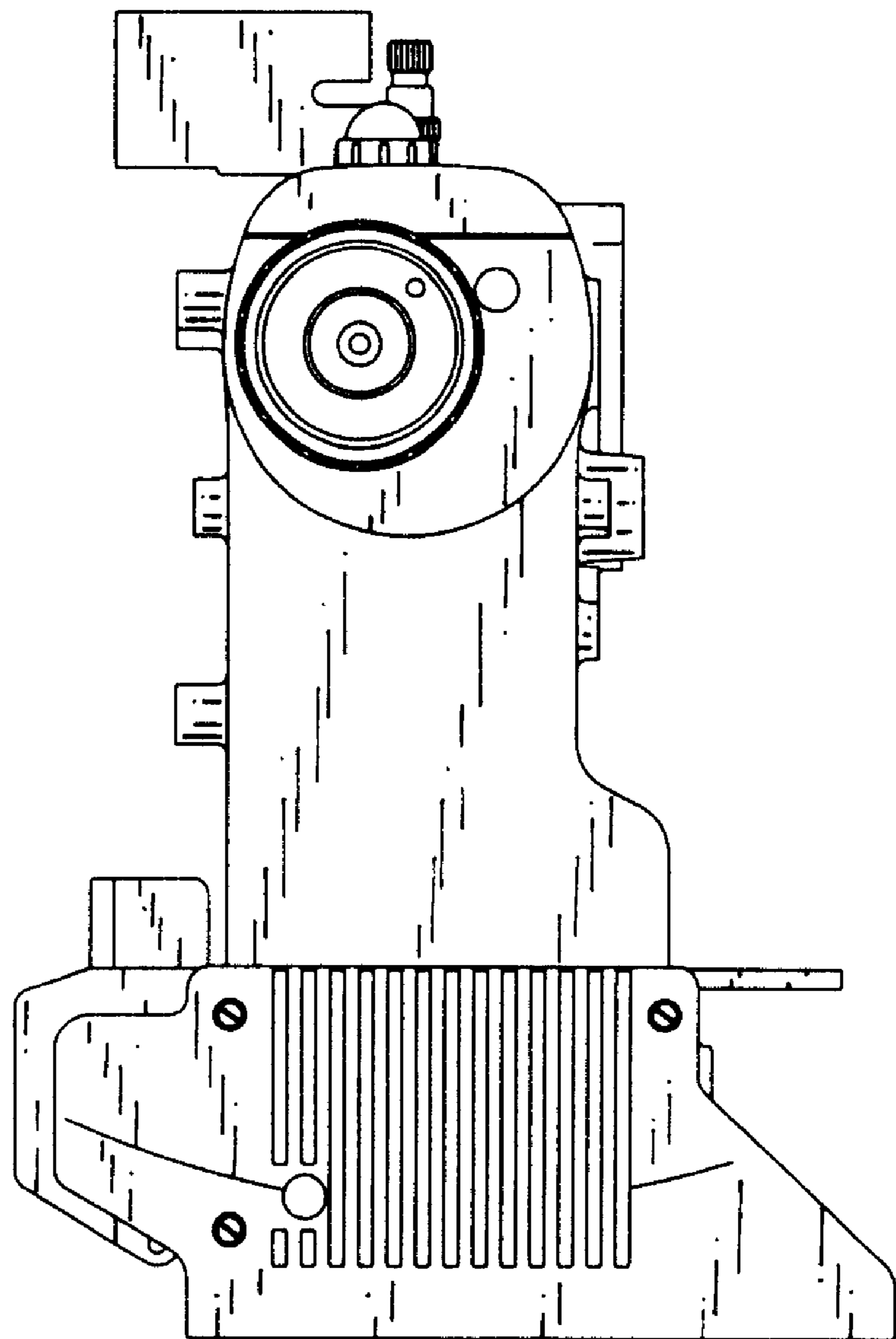


Fig. 6

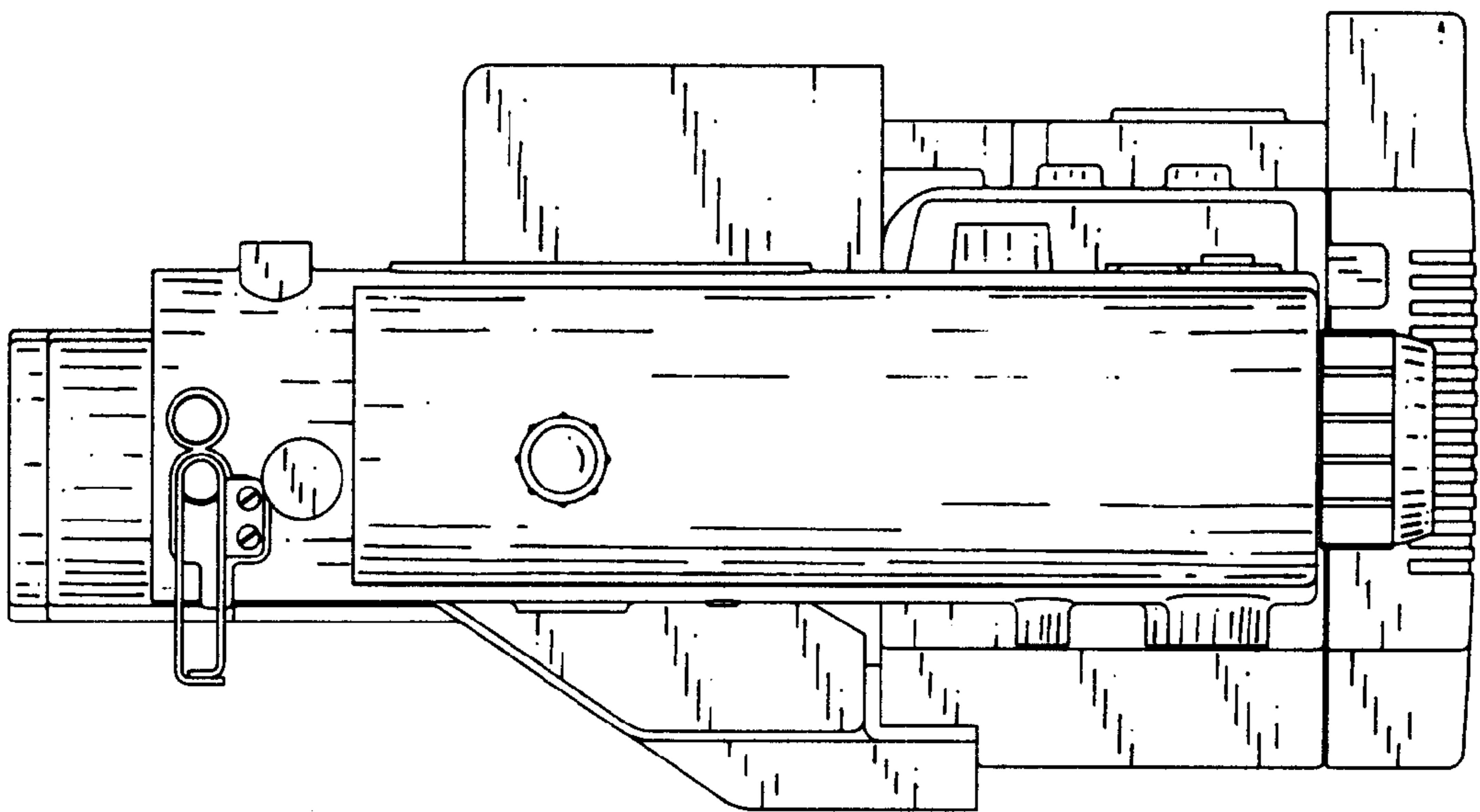


Fig. 7

