



US00D468316S

(12) **United States Design Patent**
Chien et al.

(10) **Patent No.:** **US D468,316 S**

(45) **Date of Patent:** **** Jan. 7, 2003**

(54) **COMPUTER FRONT BEZEL**

(75) Inventors: **Chieh-Nan Chien**, Tu-Chen (TW);
Yin-Sheng Yeh, Tu-Chen (TW);
Fu-Ming Chen, Tu-Chen (TW)

(73) Assignee: **Hon Hai Precision Ind. Co., Ltd.**,
Taipei Hsien (TW)

(**) Term: **14 Years**

(21) Appl. No.: **29/155,842**

(22) Filed: **Feb. 15, 2002**

(51) **LOC (7) Cl.** **14-02**

(52) **U.S. Cl.** **D14/444**

(58) **Field of Search** D14/441-446;
D13/162, 184, 199; 312/223.2; 361/680-686,
690-696

(56) **References Cited**

U.S. PATENT DOCUMENTS

- D410,641 S * 6/1999 Fu D14/444
- D424,576 S * 5/2000 Fu D14/441
- D428,417 S * 7/2000 Jean et al. D14/441
- D429,732 S * 8/2000 Jean et al. D14/441

- D431,569 S * 10/2000 Jean et al. D14/441
- D432,135 S * 10/2000 Jean et al. D14/444
- D433,684 S * 11/2000 Jean et al. D14/444

* cited by examiner

Primary Examiner—Freda Nunn

(74) *Attorney, Agent, or Firm*—Wei Te Chung

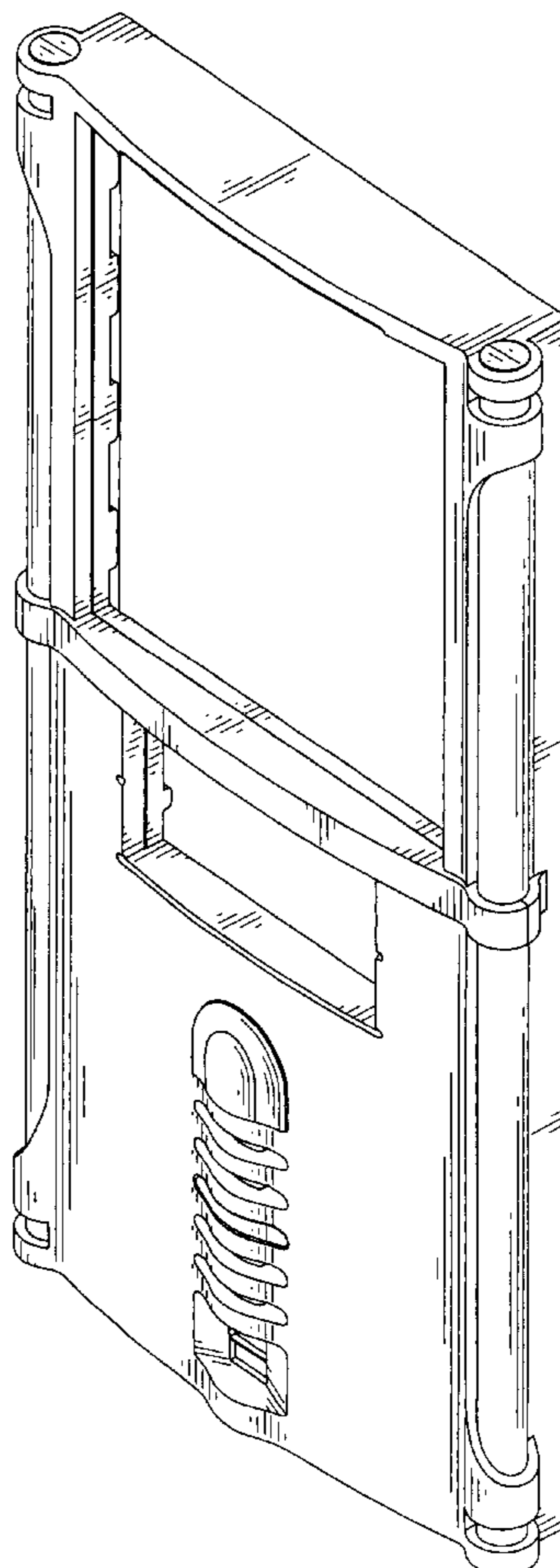
(57) **CLAIM**

The ornamental design for a computer front bezel, as shown and described.

DESCRIPTION

FIG. 1 is a perspective view of a computer front bezel of our new design;
 FIG. 2 is a front elevational view thereof;
 FIG. 3 is a rear elevational view thereof;
 FIG. 4 is a left side elevational view thereof;
 FIG. 5 is a right side elevational view thereof;
 FIG. 6 is a top plan view thereof;
 FIG. 7 is a bottom plan view thereof; and,
 FIG. 8 is a view similar to FIG. 1 with the computer front bezel being mounted to a computer case which is shown in broken lines for illustrative purpose only and forms no part of the claimed design.

1 Claim, 6 Drawing Sheets



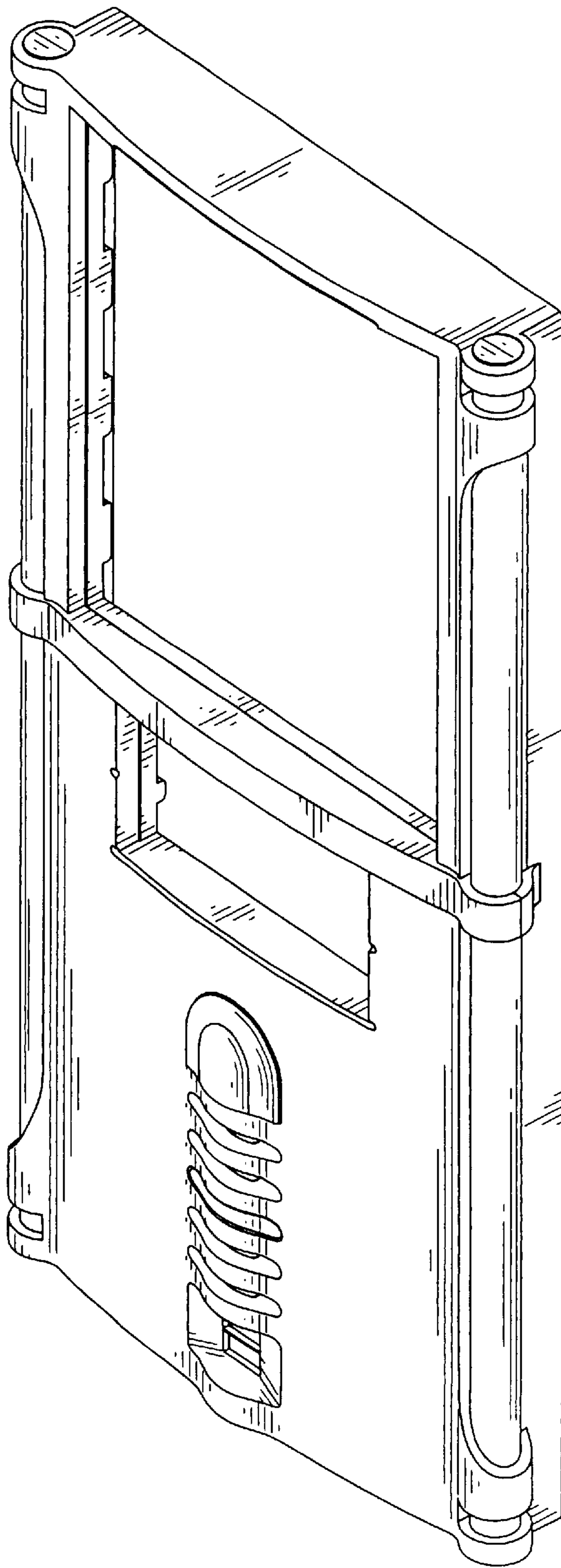


FIG. 1

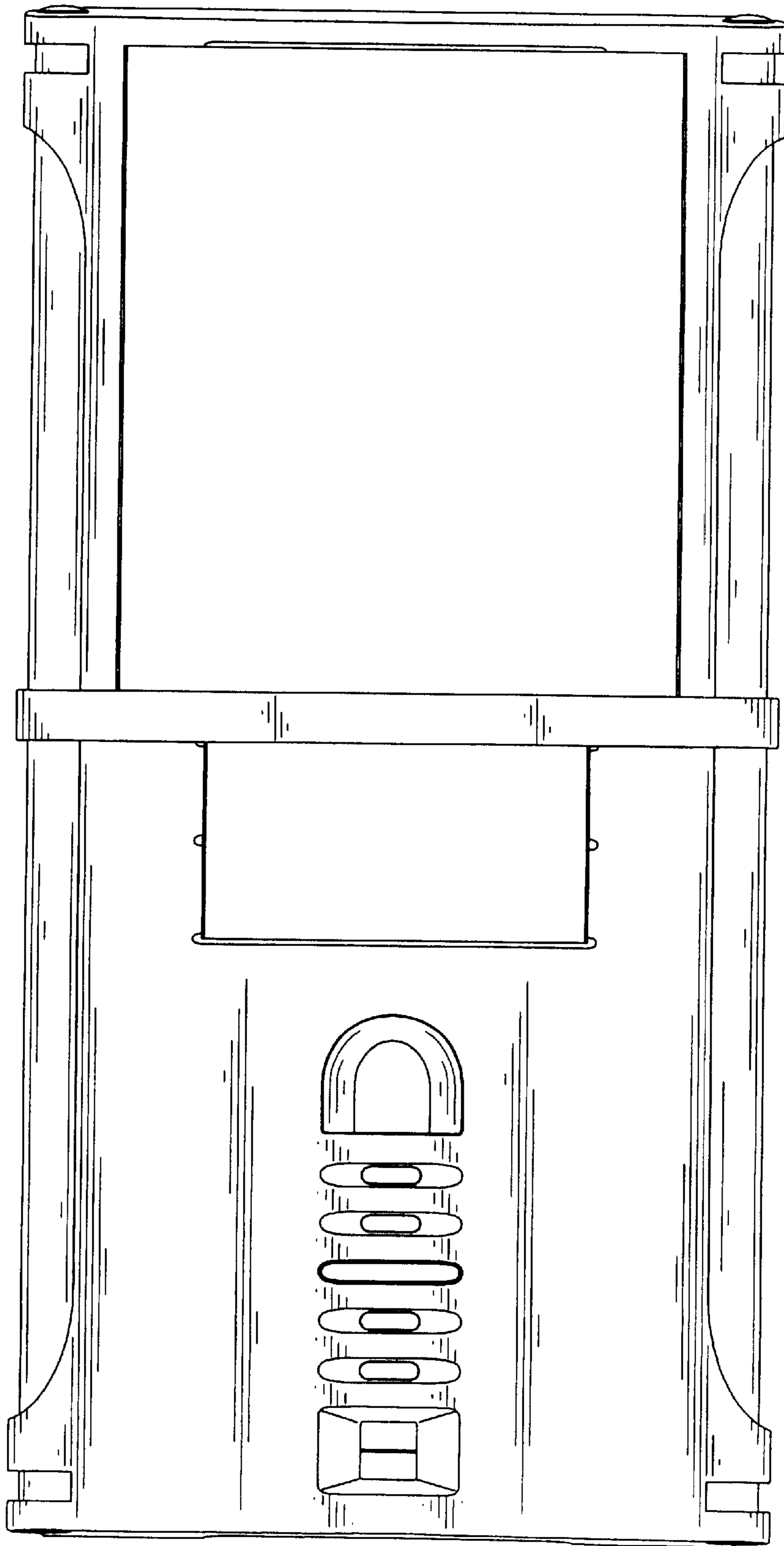


FIG. 2

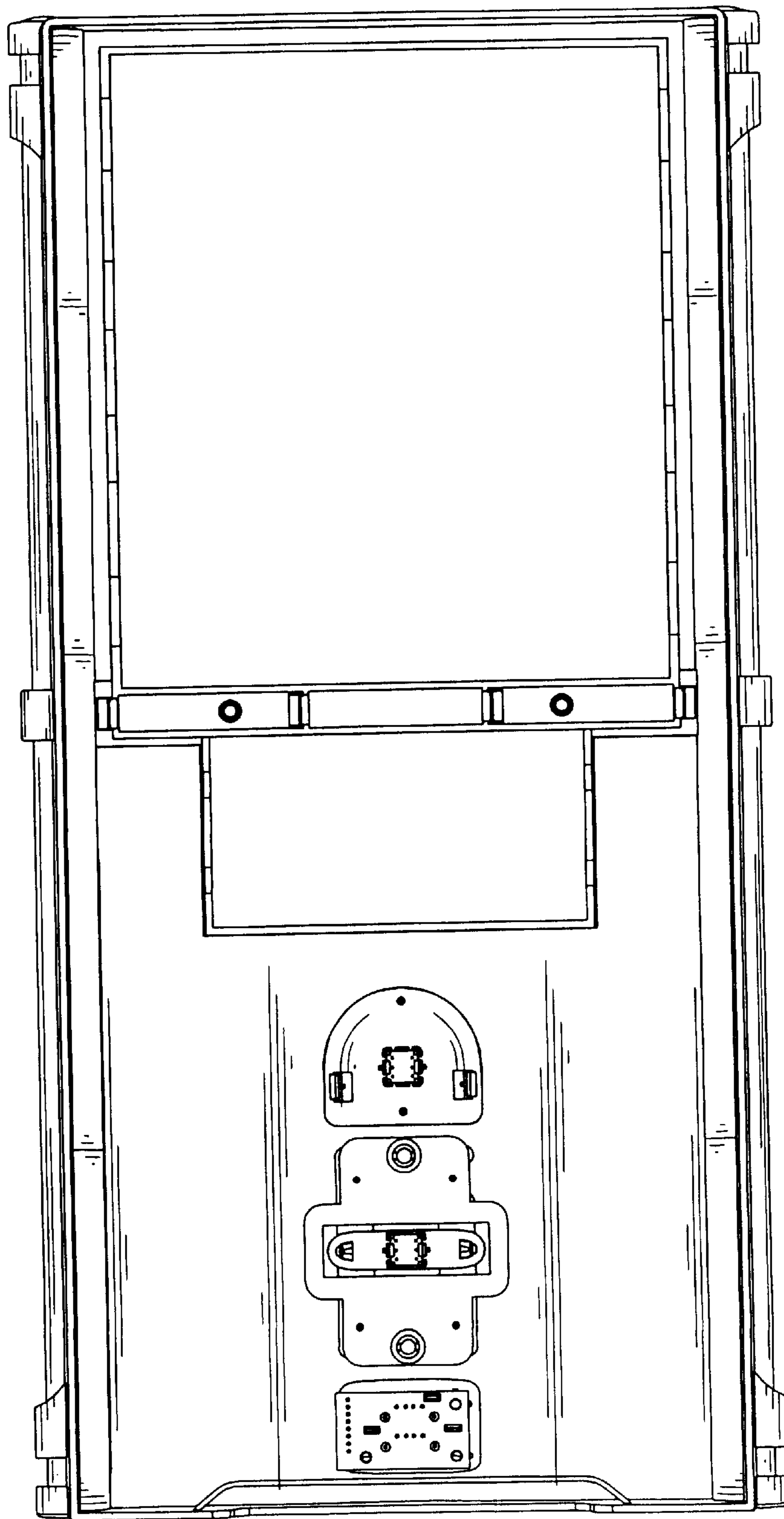


FIG. 3

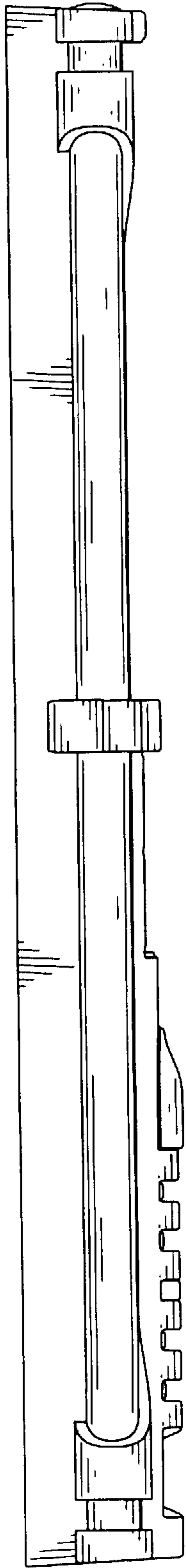


FIG. 4

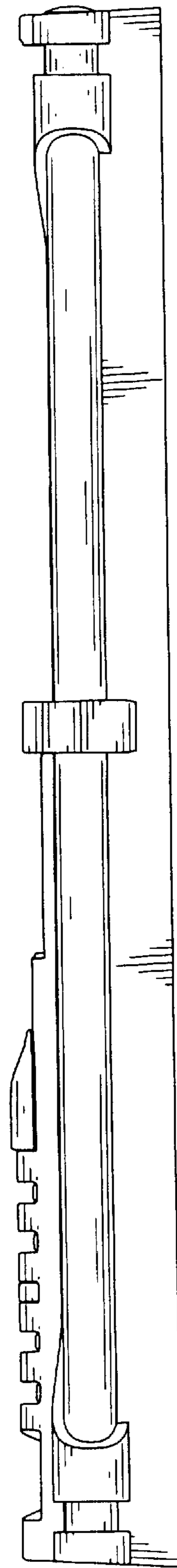


FIG. 5

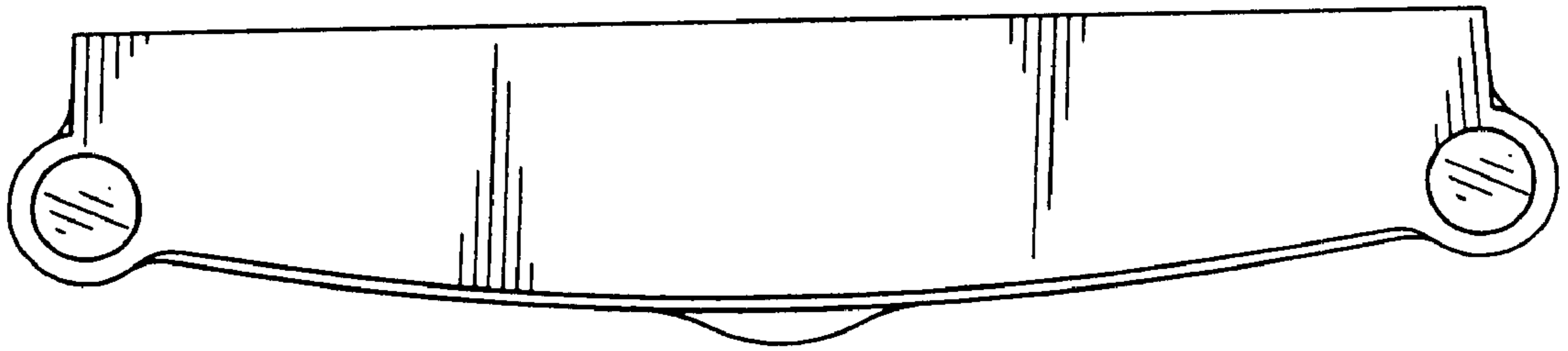


FIG. 6

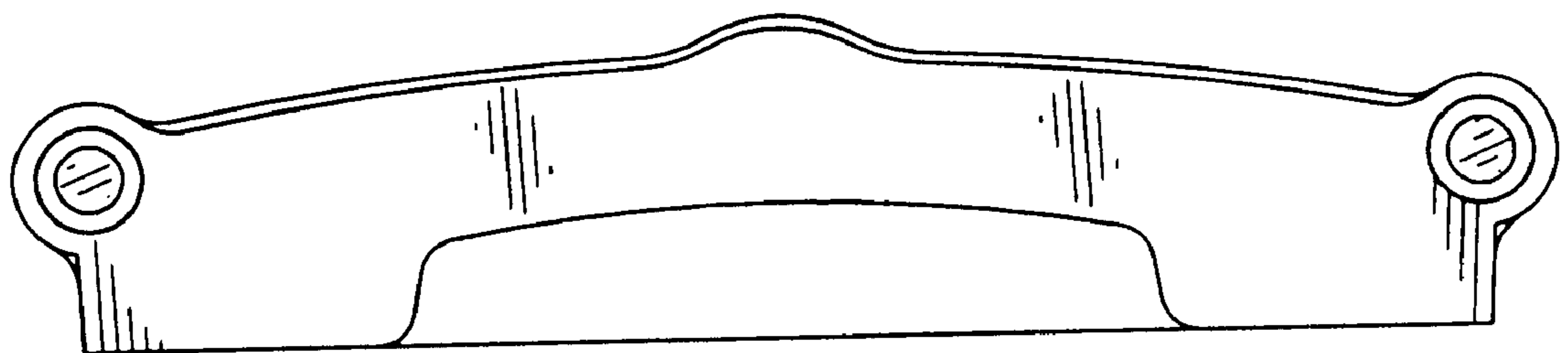


FIG. 7

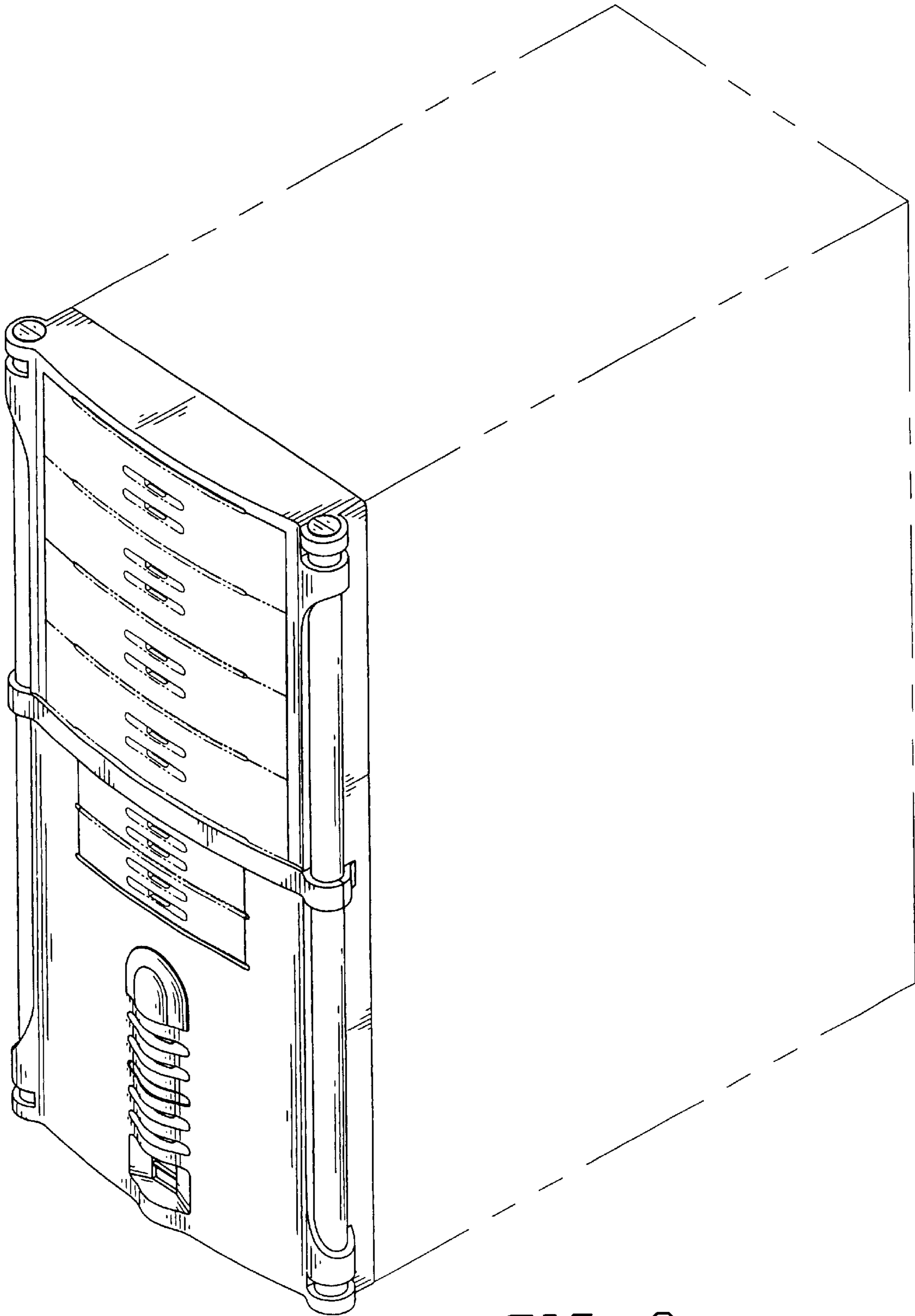


FIG. 8