



US00D468312S

(12) **United States Design Patent**
Huang et al.

(10) **Patent No.:** **US D468,312 S**

(45) **Date of Patent:** **** Jan. 7, 2003**

(54) **REPEATER MODULE**

(75) Inventors: **Steve Huang**, San Francisco, CA (US);
Van Van Nguyen, San Jose, CA (US);
Robert Gregory Twiss, Portola Valley,
CA (US); **Ken Wood**, Portola Valley,
CA (US)

(73) Assignee: **Cisco Technology, Inc.**, San Jose, CA
(US)

(**) Term: **14 Years**

(21) Appl. No.: **29/106,266**

(22) Filed: **Jun. 11, 1999**

Related U.S. Application Data

(63) Continuation-in-part of application No. 09/321,066, filed on
May 27, 1999.

(51) **LOC (7) Cl.** **14-02**

(52) **U.S. Cl.** **D14/433**

(58) **Field of Search** D14/432, 242,
D14/433; D13/123, 133, 146-7; 363/146;
361/683, 715, 728, 760-83; 439/620; 370/293;
307/89-91; 385/92-94

(56) **References Cited**

U.S. PATENT DOCUMENTS

D372,708 S * 8/1996 Hetherington

D382,857 S * 8/1997 Chen et al.

D386,473 S * 11/1997 England et al.

D411,827 S * 7/1999 Gilliland et al.

D436,919 S * 1/2001 Wakefield

* cited by examiner

Primary Examiner—M. H. Tung

(74) *Attorney, Agent, or Firm*—Beyer Weaver & Thomas,
LLP

(57) **CLAIM**

The ornamental design for a repeater module, as shown and
described.

DESCRIPTION

FIG. 1 is a perspective view of the repeater module;

FIG. 2 is a front elevational view thereof, on an enlarged
scale;

FIG. 3 is a top plan view thereof, on a reduced scale;

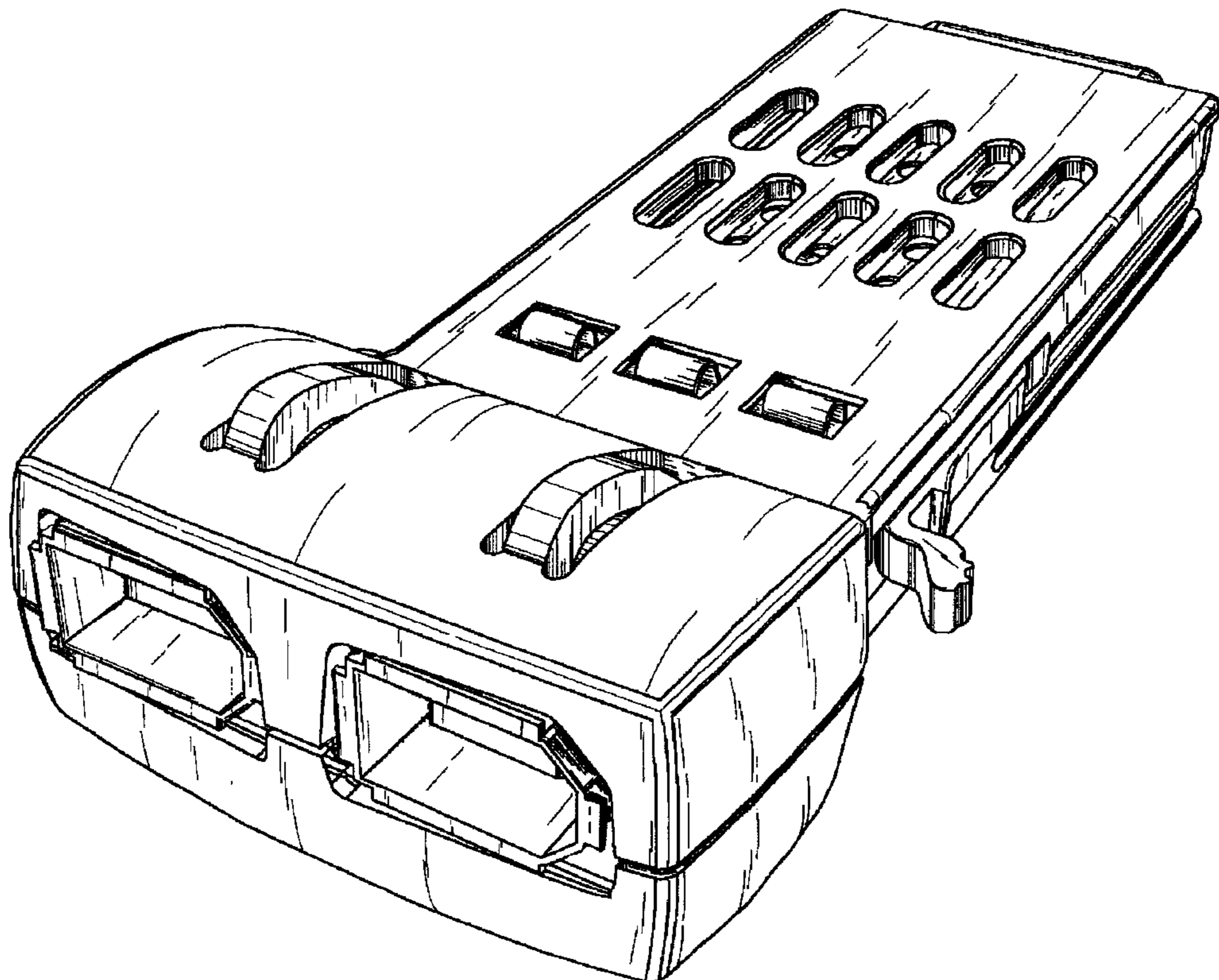
FIG. 4 is a right side elevational view thereof on a reduced
scale;

FIG. 5 is a bottom plan view thereof, on a reduced scale;

FIG. 6 is a left side elevational view thereof on a reduced
scale; and,

FIG. 7 is a rear elevational view thereof, on an enlarged
scale.

1 Claim, 6 Drawing Sheets



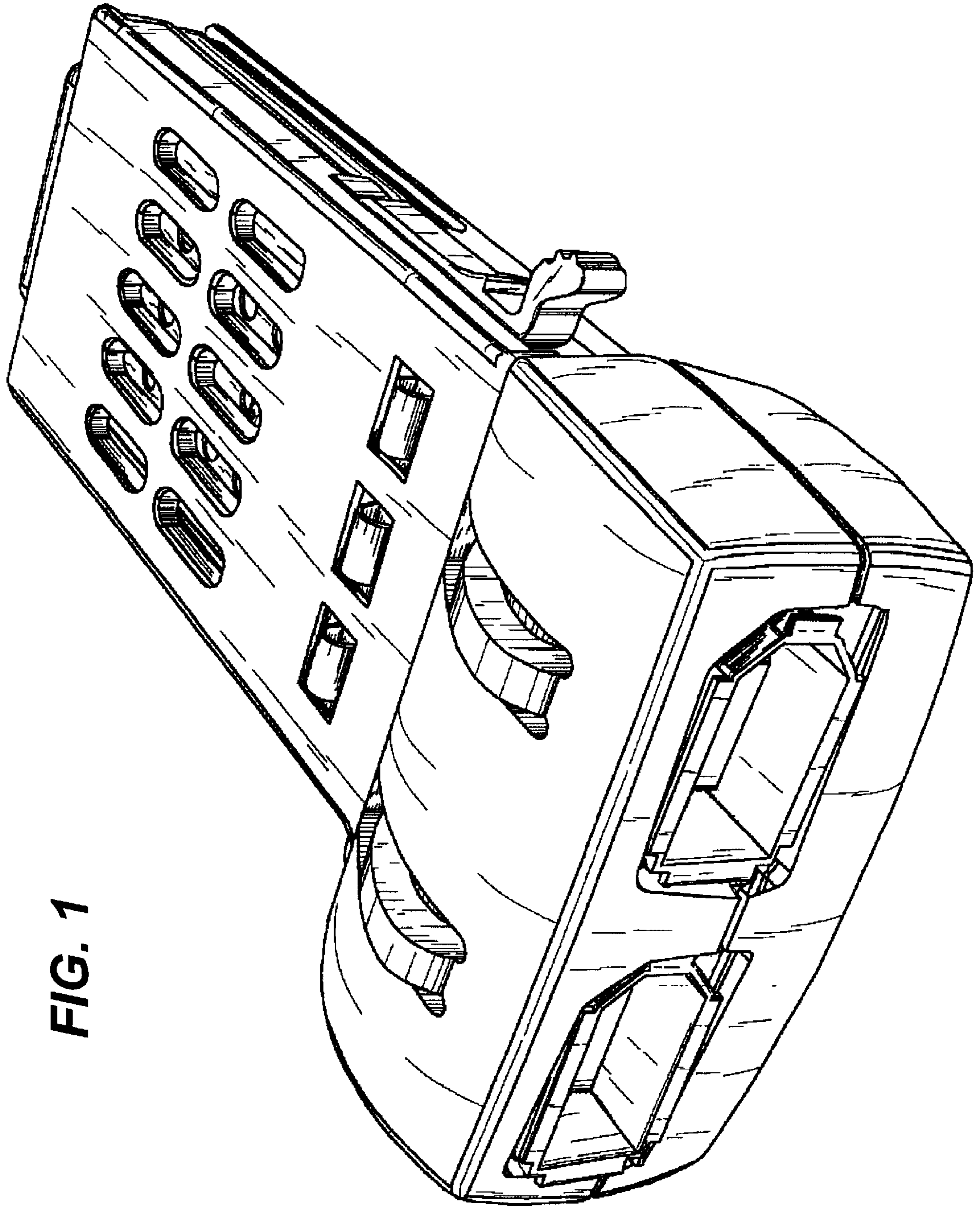


FIG. 1

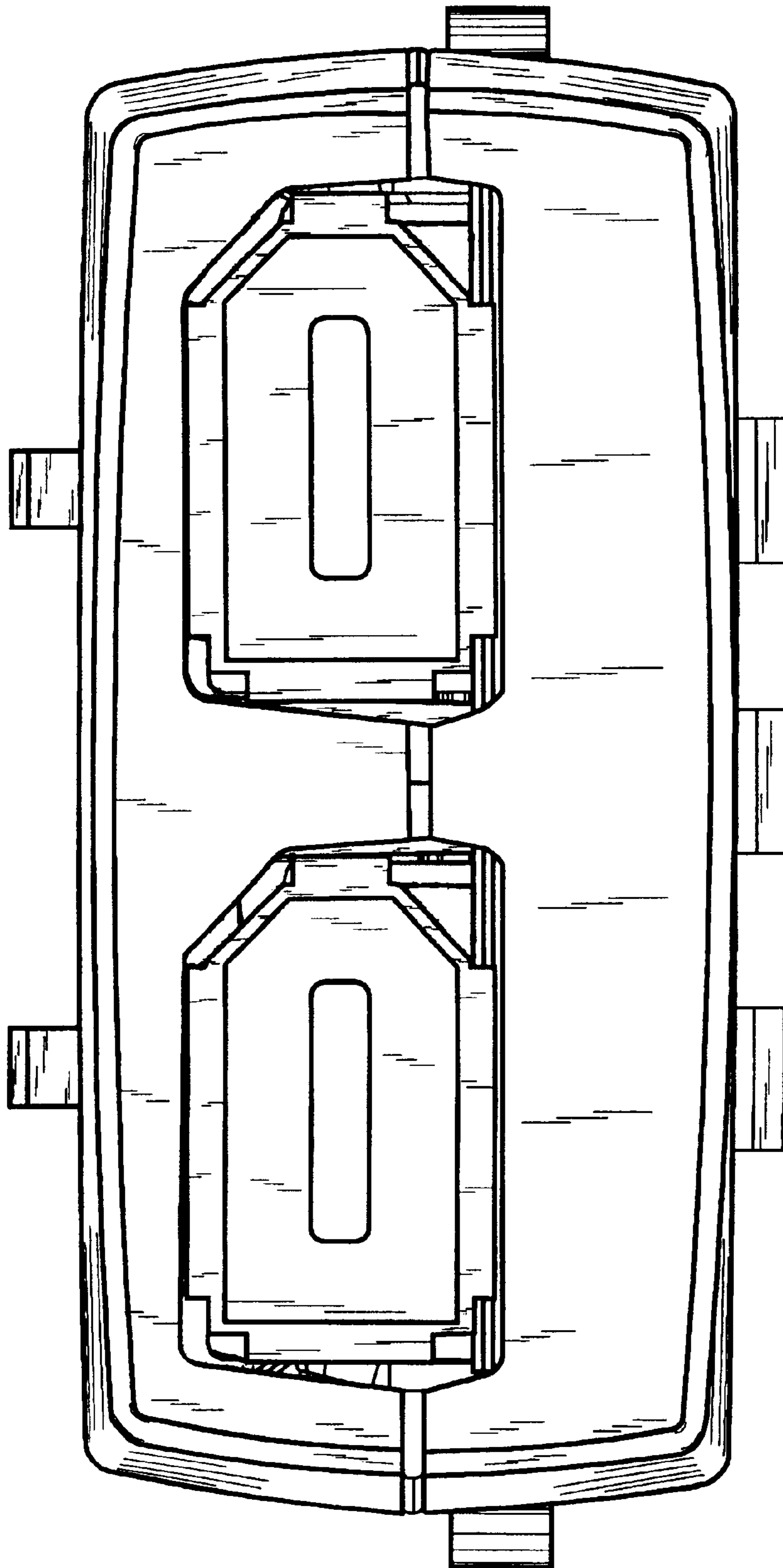
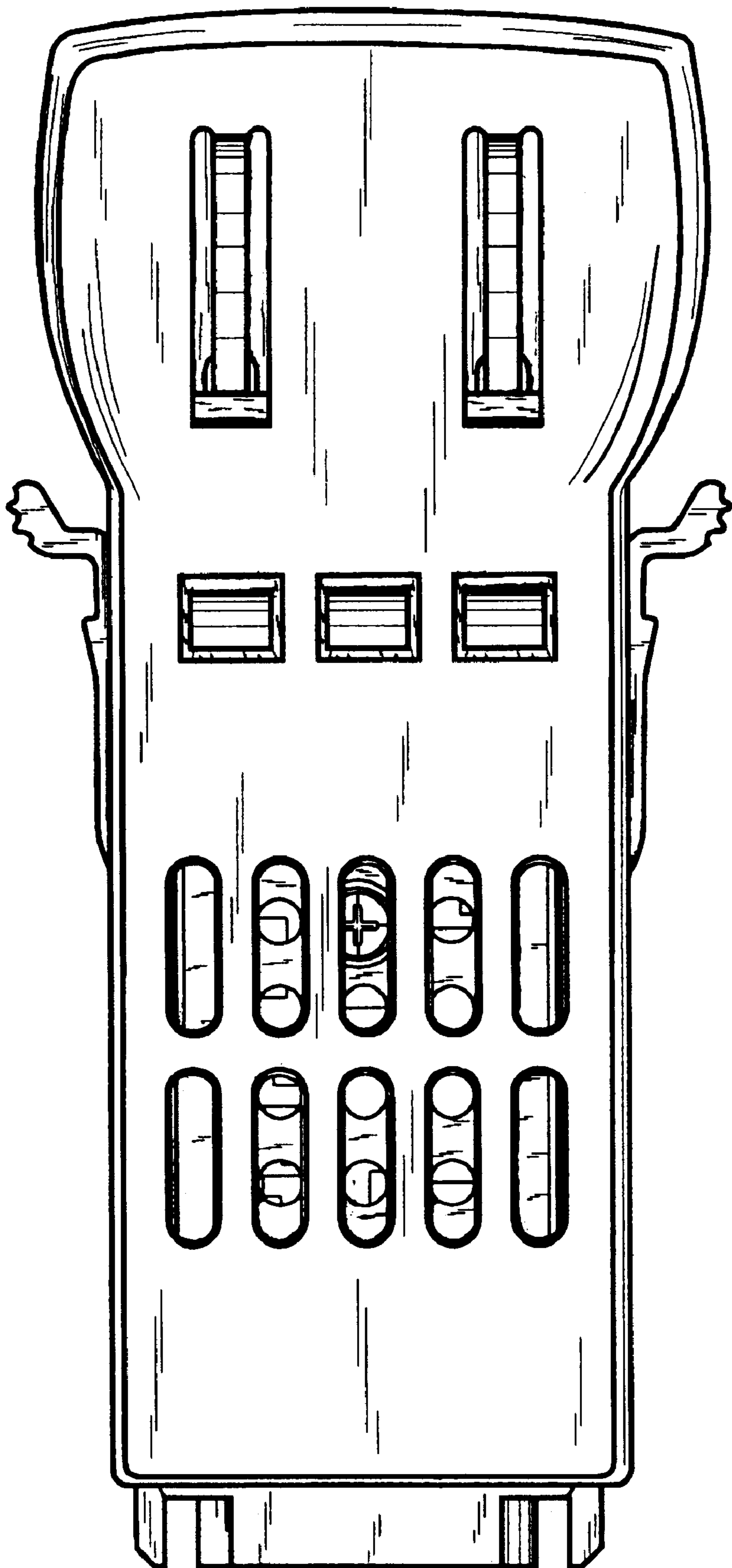


FIG. 2

FIG. 3



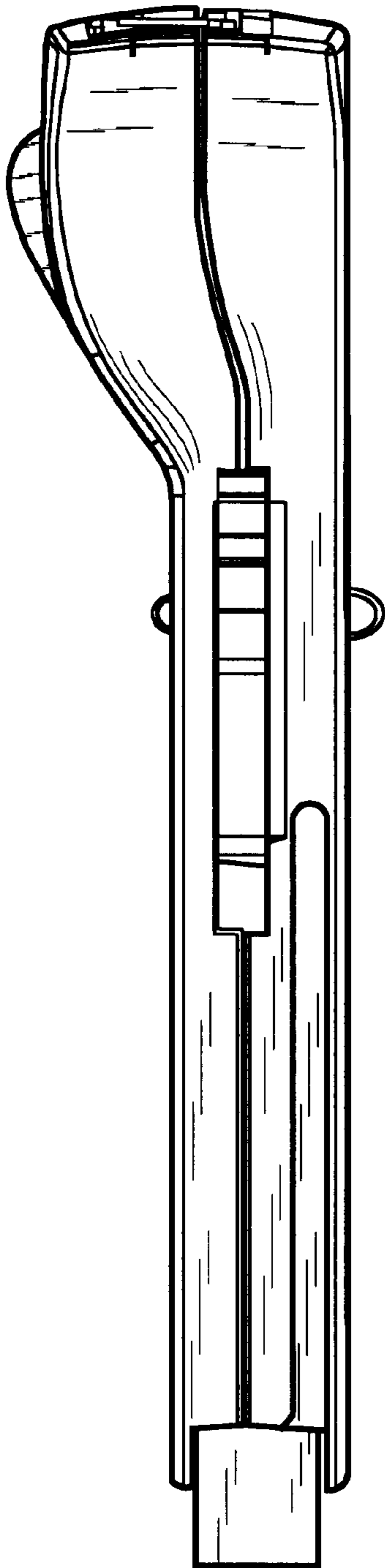


FIG. 4

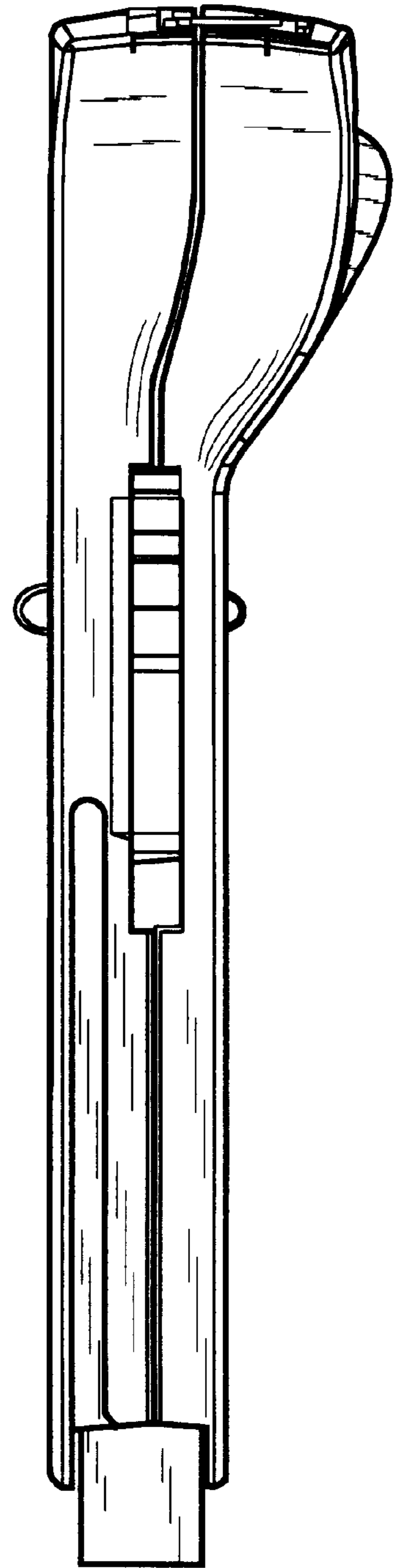
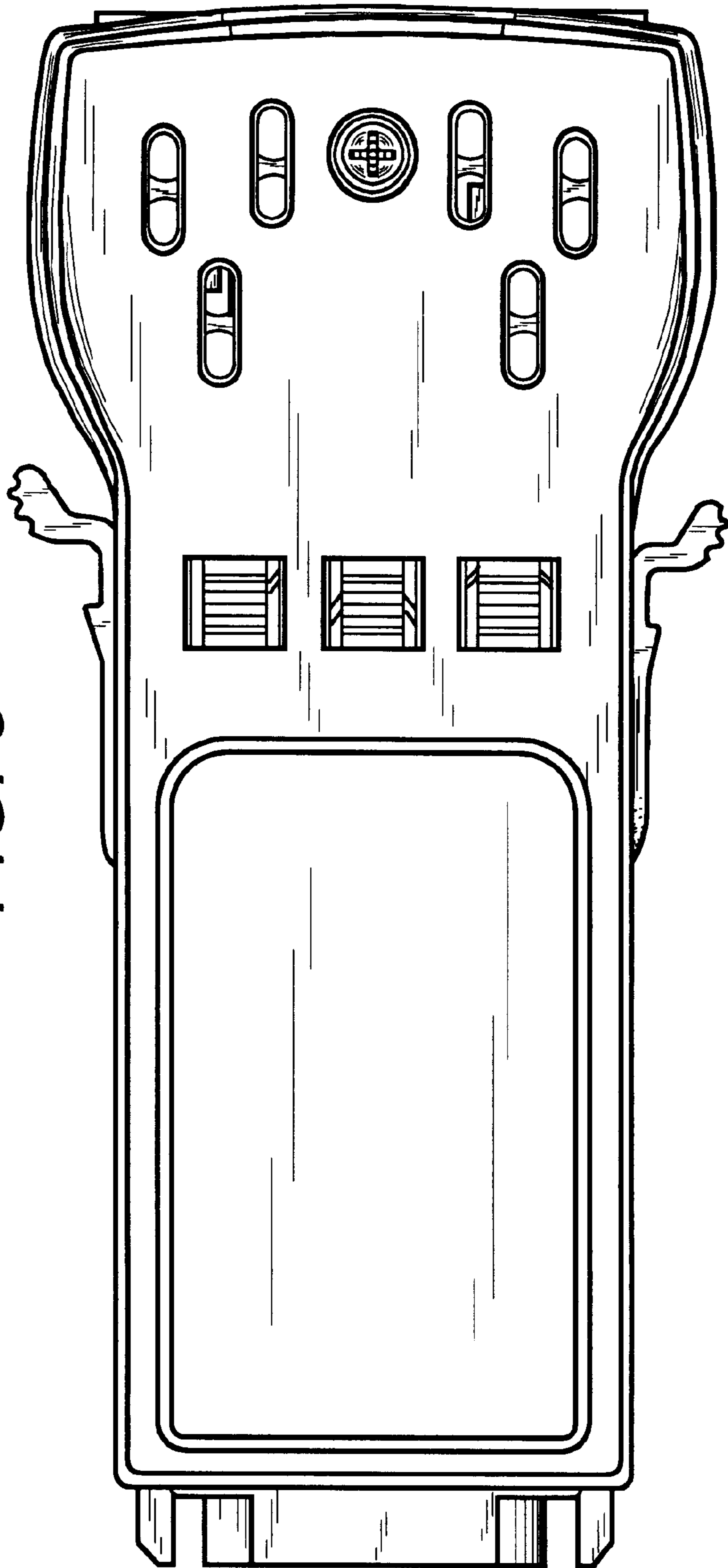


FIG. 6

FIG. 5



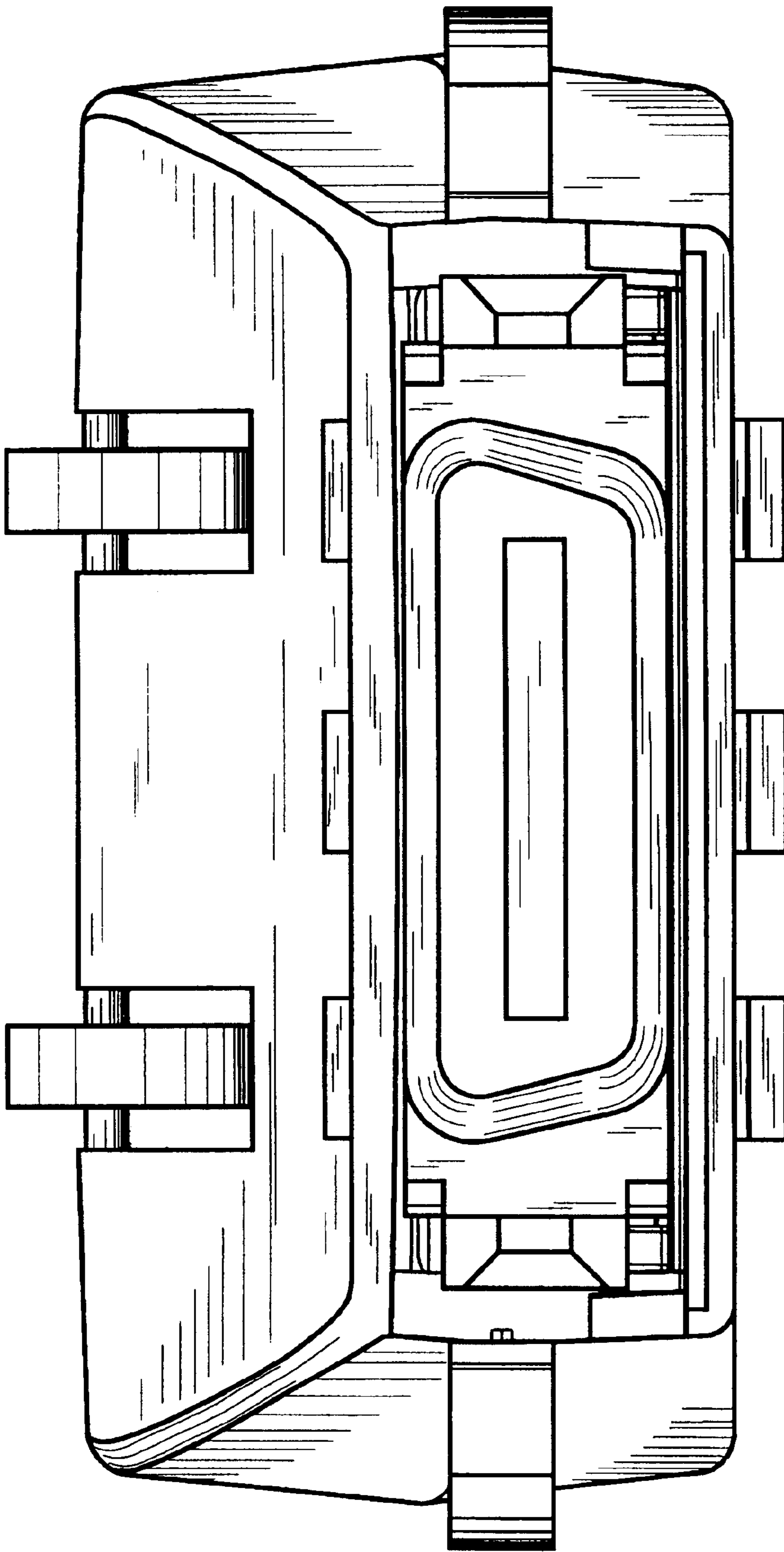


FIG. 7